



US00D699915S

(12) **United States Design Patent**
Baugh

(10) **Patent No.:** **US D699,915 S**

(45) **Date of Patent:** **** Feb. 18, 2014**

(54) **ALL WEATHER MAILBOX OPENING INDICATOR**

(71) Applicant: **Alvin L. Baugh**, Barnhart, MO (US)

(72) Inventor: **Alvin L. Baugh**, Barnhart, MO (US)

(**) Term: **14 Years**

(21) Appl. No.: **29/451,987**

(22) Filed: **Apr. 10, 2013**

(51) **LOC (10) Cl.** **99-00**

(52) **U.S. Cl.**
USPC **D99/43**

(58) **Field of Classification Search**
USPC D99/28, 29, 31, 32, 43, 99; D8/323, D8/325, 330, 336, 343; 109/50, 52, 59 R, 109/64; 70/6, 431, 91, 101, 102, 94; 292/346; D3/272, 273, 294; 232/38, 232/39, 44, 45, 1 A, 1 R, 1 C
See application file for complete search history.

(56) **References Cited**

U.S. PATENT DOCUMENTS

2,483,992	A *	10/1949	Young	232/35
2,874,895	A *	2/1959	Opp et al.	232/35
4,491,268	A *	1/1985	Faulkingham	232/35
4,711,391	A *	12/1987	Roge et al.	232/35
D314,852	S *	2/1991	Taylor	D99/29
D335,747	S *	5/1993	Dearing et al.	D99/29
D350,007	S *	8/1994	Ferguson	D99/43
5,366,148	A *	11/1994	Schreckengost	232/35
5,762,264	A *	6/1998	Ginsberg	232/35
D424,276	S *	5/2000	Bolden	D99/29
6,293,461	B1 *	9/2001	Rivers, Sr.	232/35
6,425,521	B1 *	7/2002	Cooper	232/34
D478,702	S *	8/2003	Dregney	D99/29
7,083,080	B2 *	8/2006	McKenzie	232/35
7,229,004	B2 *	6/2007	McKenzie	232/35

D556,973	S *	12/2007	Pierce	D99/29
D569,075	S *	5/2008	Ehrbaker	D99/43
7,552,858	B1 *	6/2009	Owens	232/35
D595,925	S *	7/2009	Bowers	D99/43
7,559,456	B1 *	7/2009	McKenzie	232/35
D653,015	S *	1/2012	Tobias	D99/43
2006/0102710	A1 *	5/2006	Griffeth	232/34

* cited by examiner

Primary Examiner — Elizabeth J Oswecki

(74) *Attorney, Agent, or Firm* — Kevin L. Klug

(57) **CLAIM**

The ornamental design for an all weather mailbox opening indicator, as shown and described.

DESCRIPTION

FIG. 1 is a front top right perspective view of an all weather mailbox opening indicator with a closed mailbox shown in broken lines to show the environment forming no part of the claimed design;

FIG. 2 is a front elevation view thereof;

FIG. 3 is a right side elevation view thereof;

FIG. 4 is a top plan view thereof;

FIG. 5 is a bottom plan view thereof;

FIG. 6 is a back elevation view thereof;

FIG. 7 is a left side elevation view thereof;

FIG. 8 is a front top right perspective view of an all weather mailbox opening indicator with an open mailbox shown in broken lines to show the environment forming no part of the claimed design;

FIG. 9 is a front elevation view thereof;

FIG. 10 is a right side elevation view thereof;

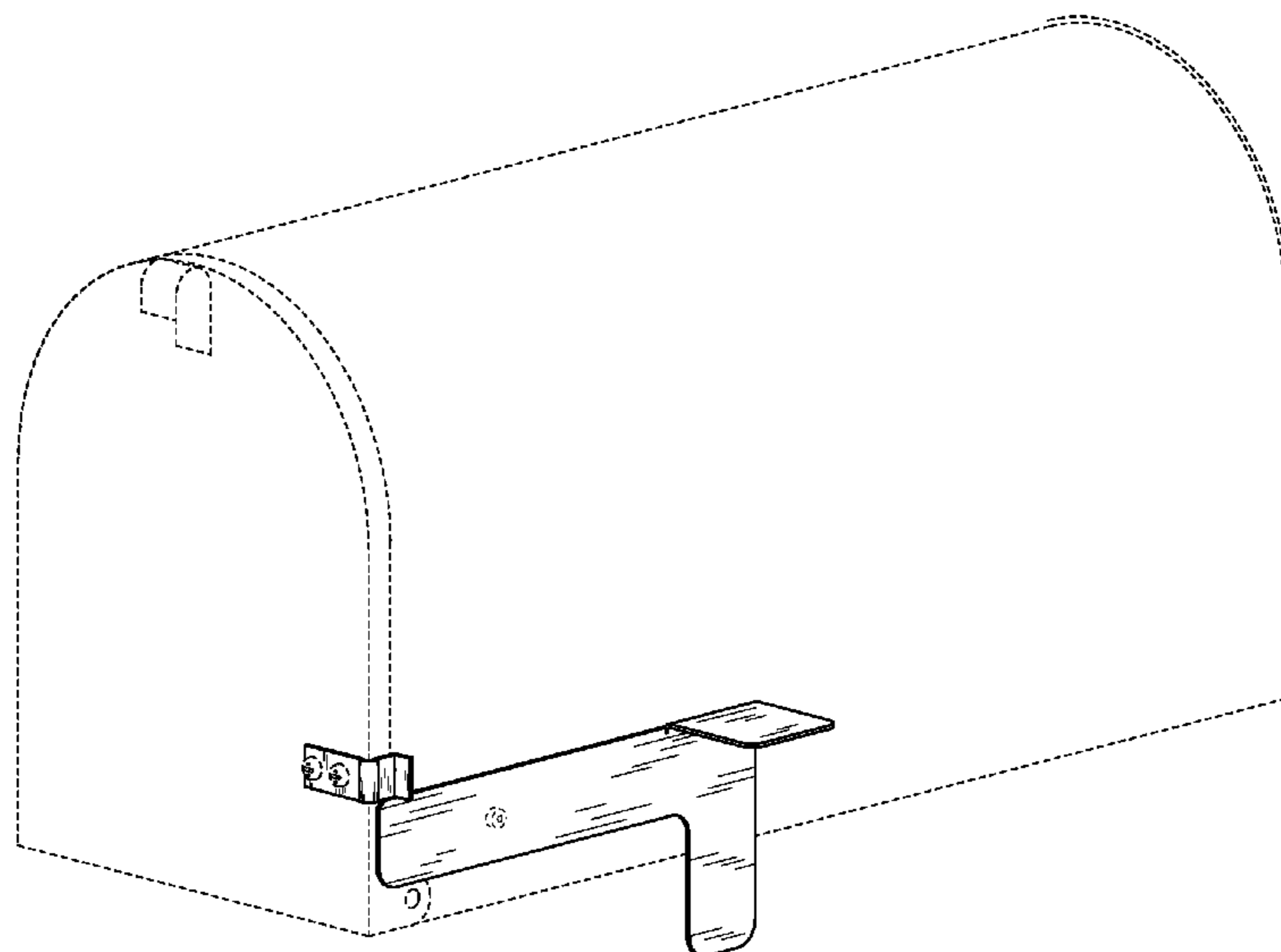
FIG. 11 is a top plan view thereof;

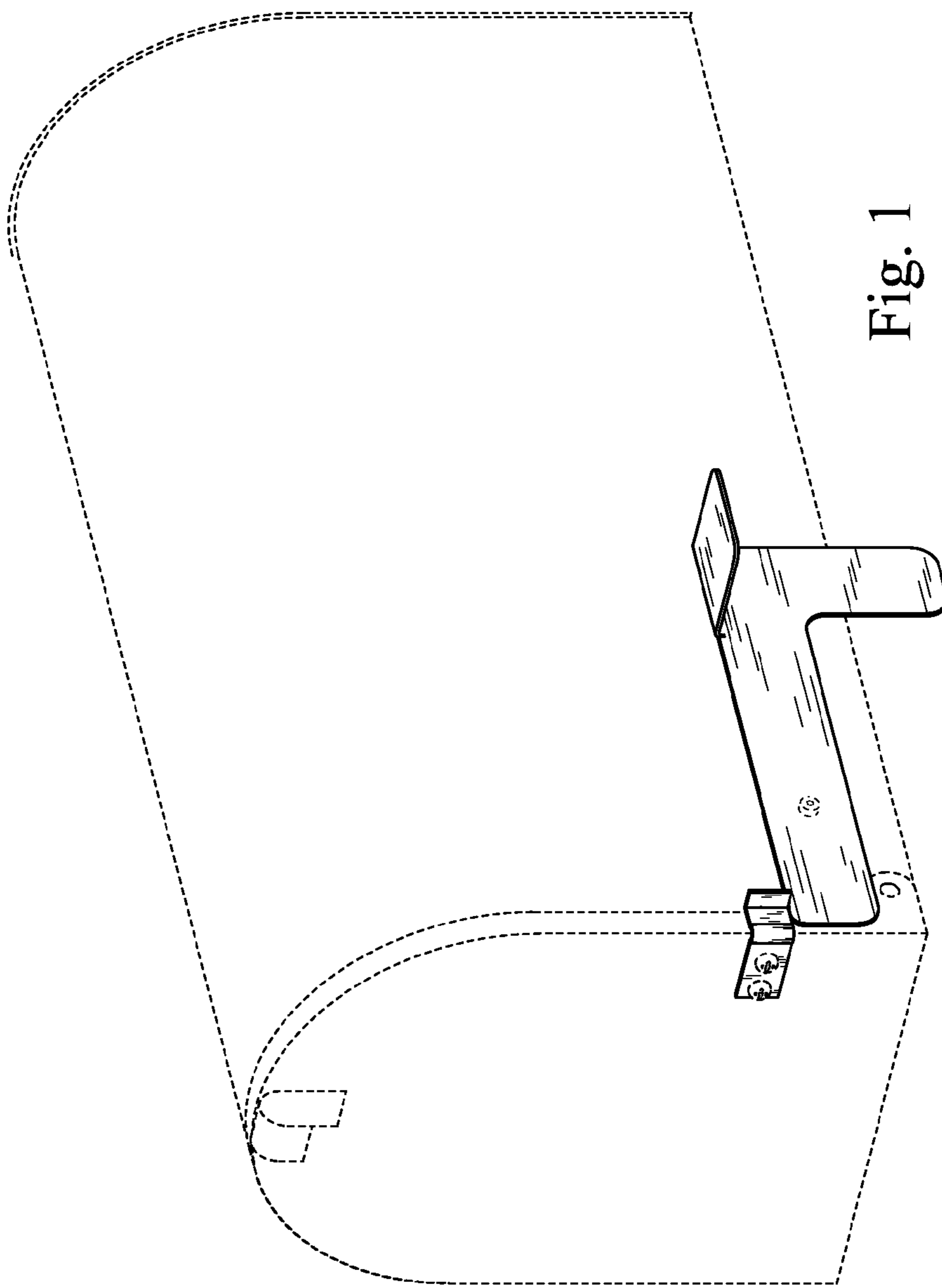
FIG. 12 is a bottom plan view thereof;

FIG. 13 is a back elevation view thereof; and,

FIG. 14 is a left side elevation view thereof.

1 Claim, 14 Drawing Sheets





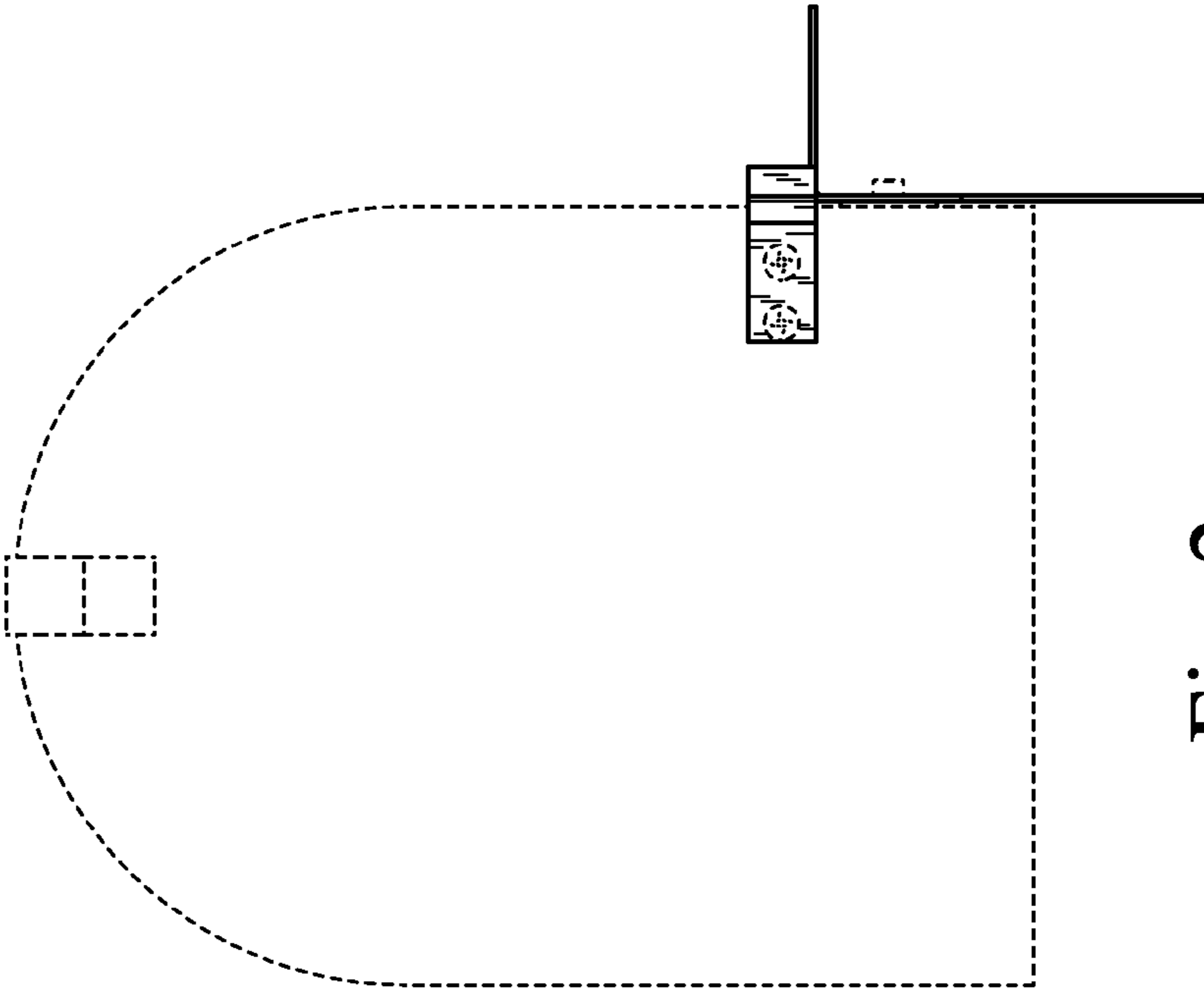


Fig. 2

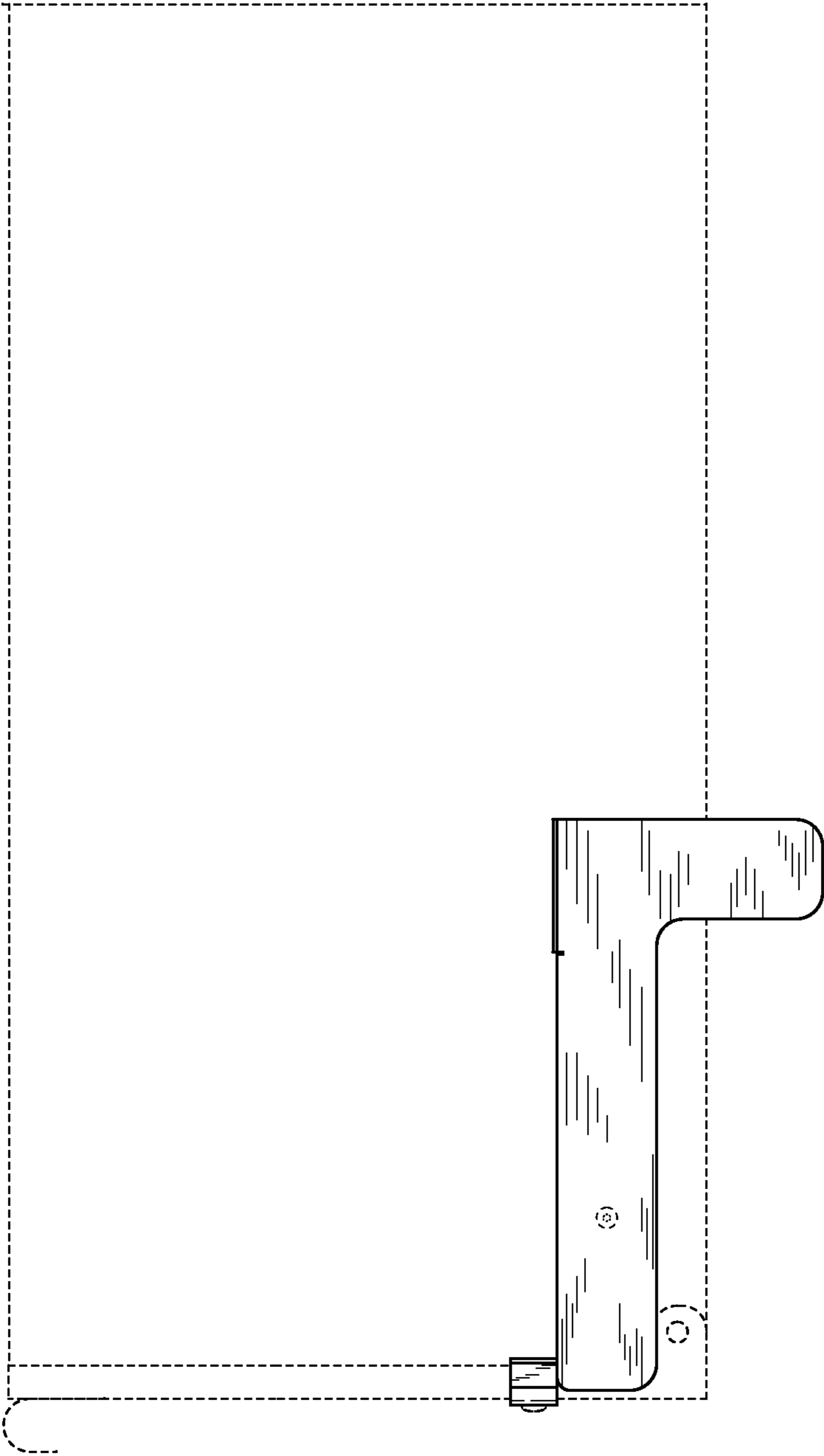


Fig. 3

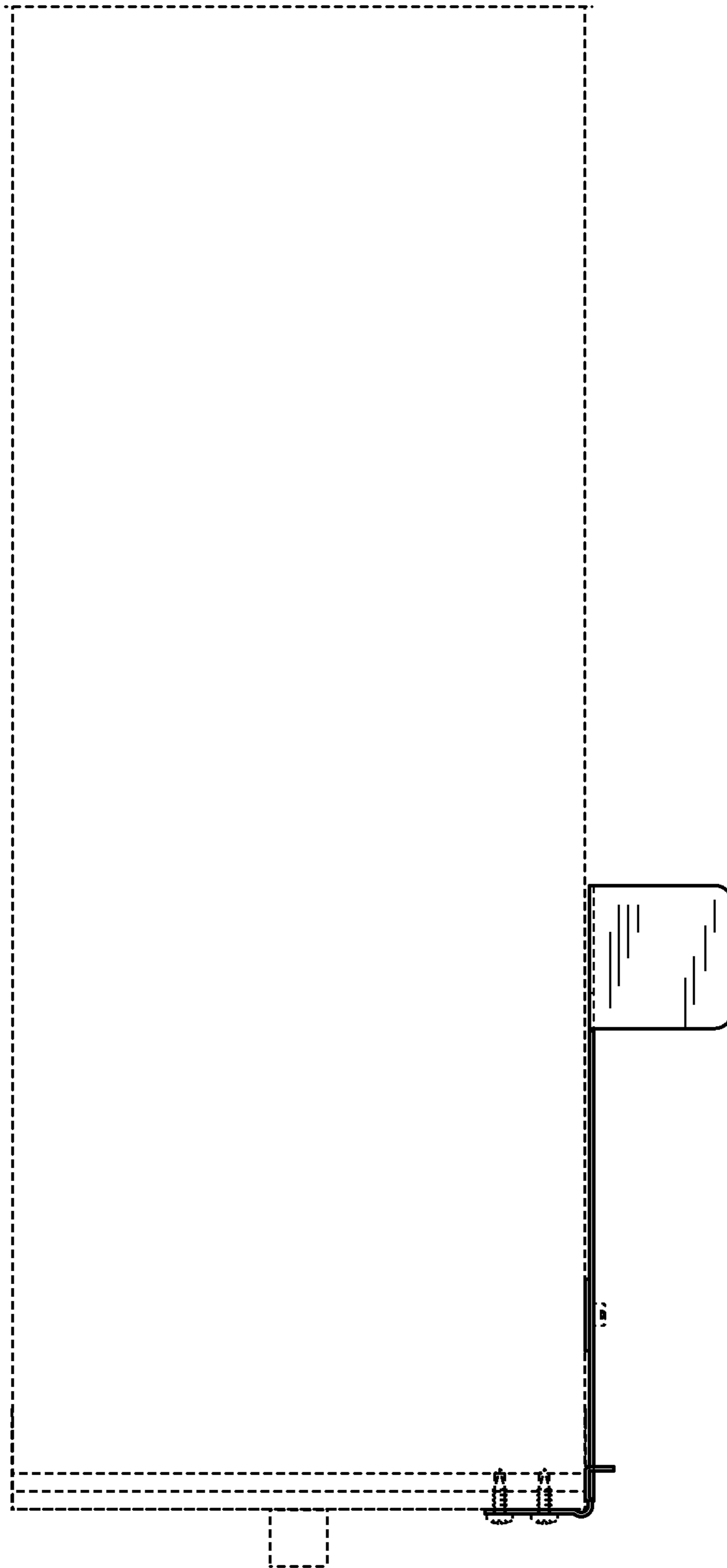


Fig. 4

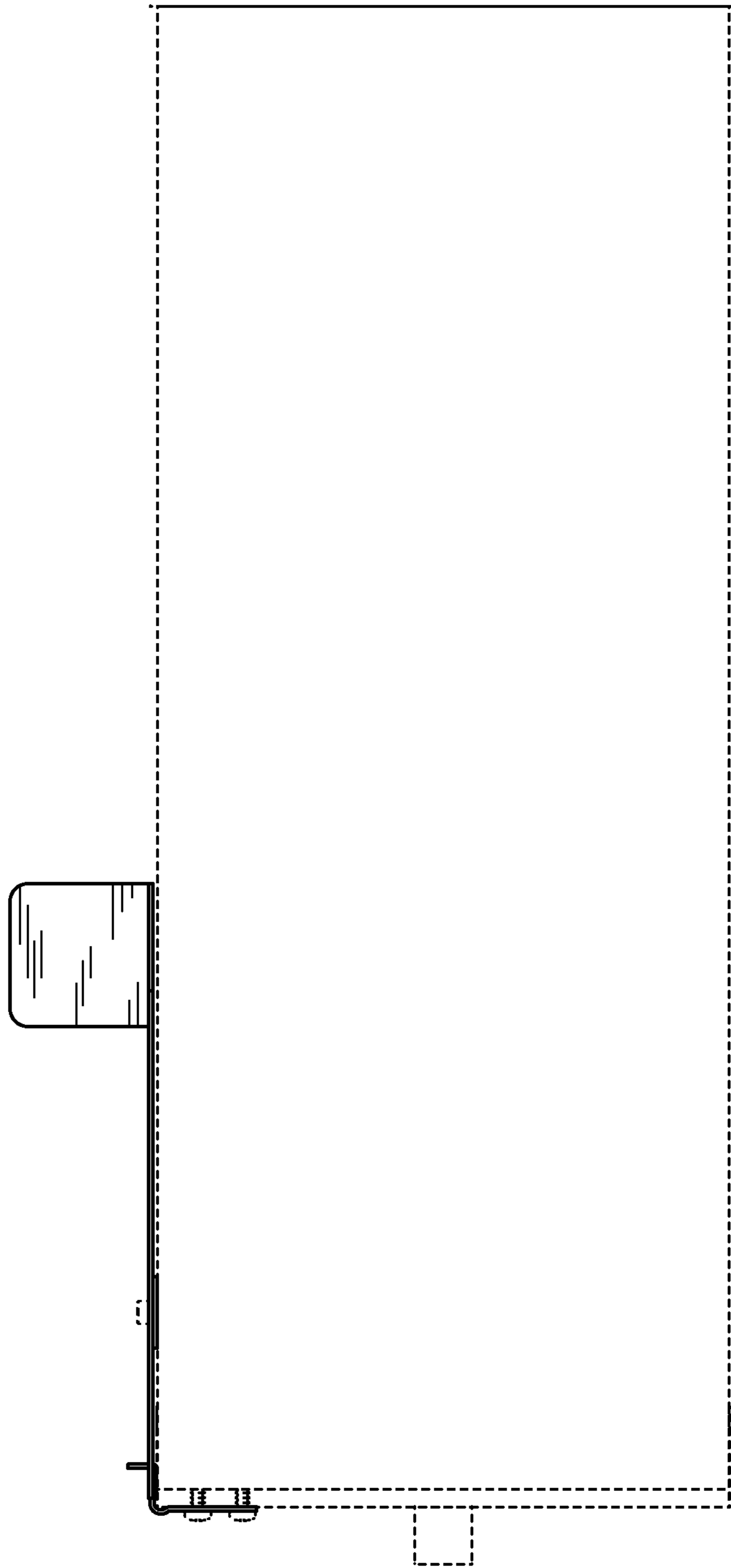


Fig. 5

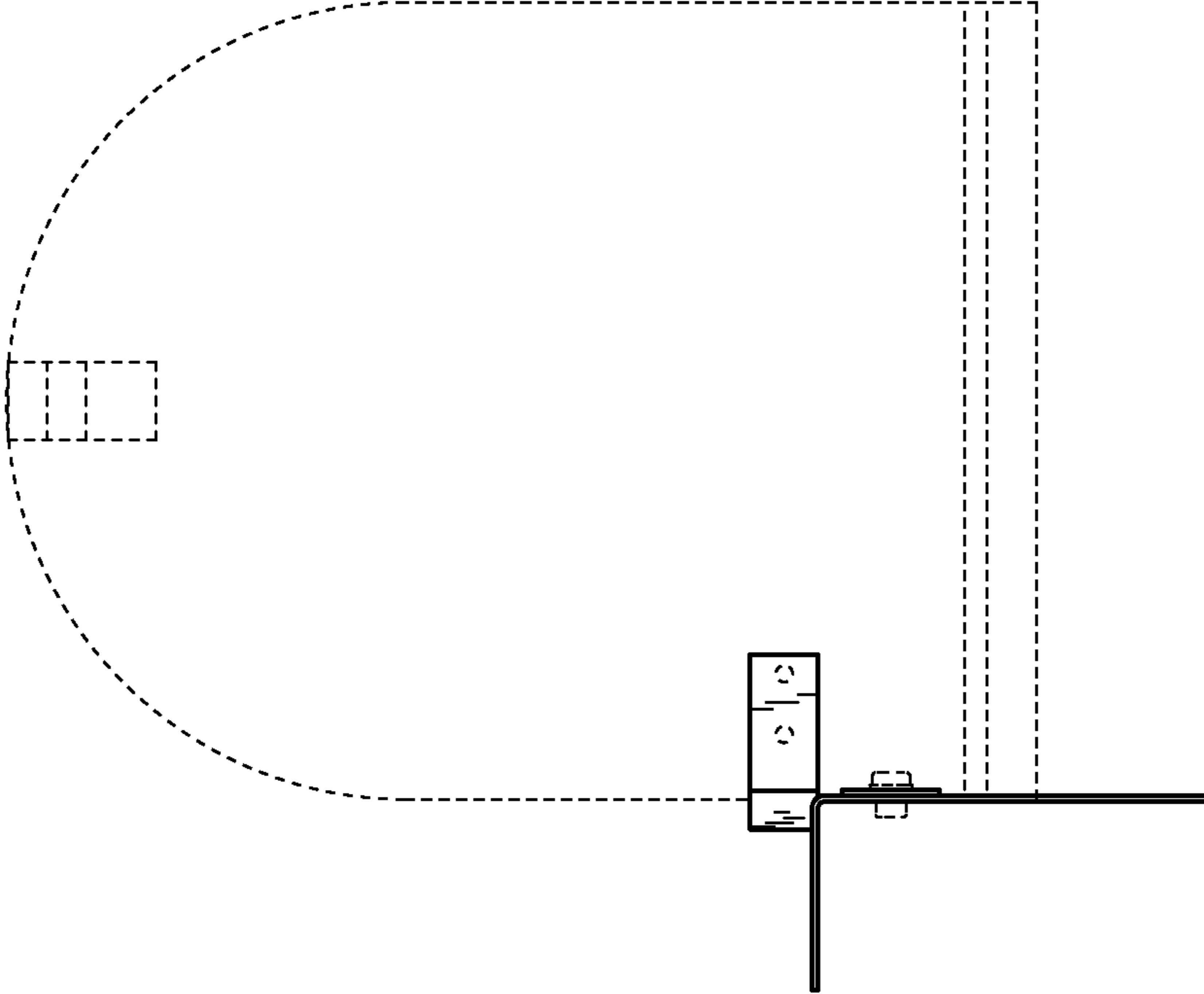


Fig. 6

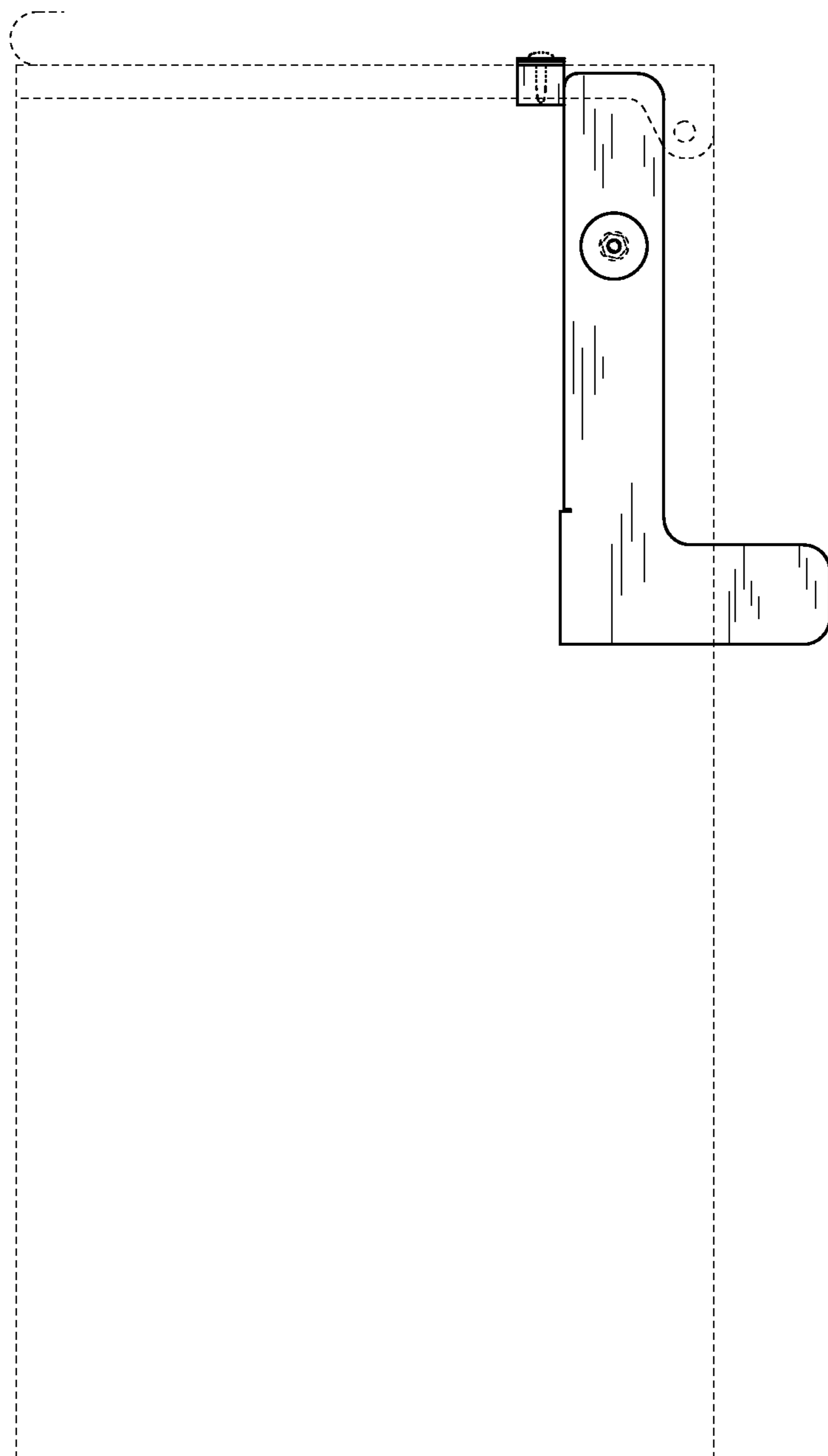


Fig. 7

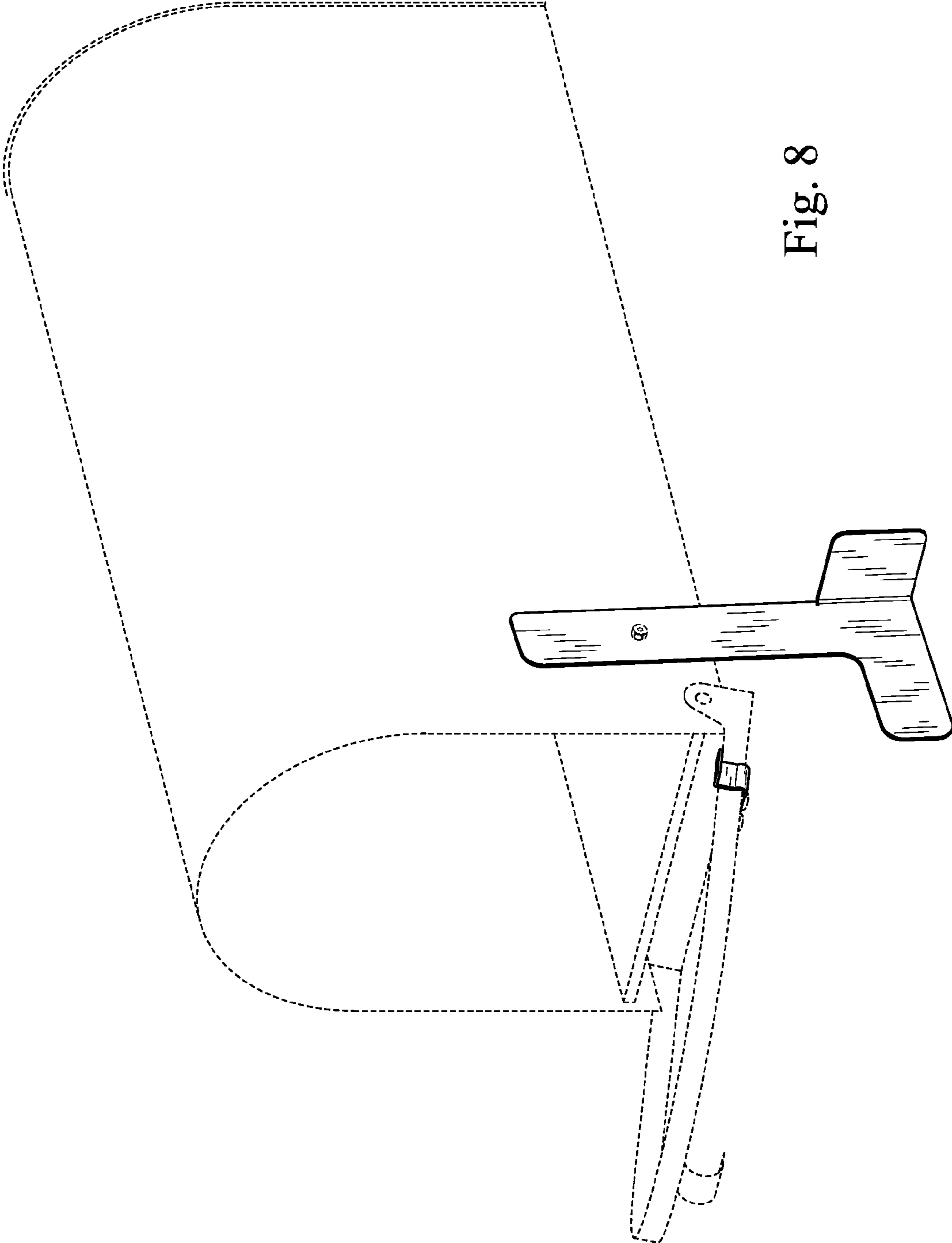


Fig. 8

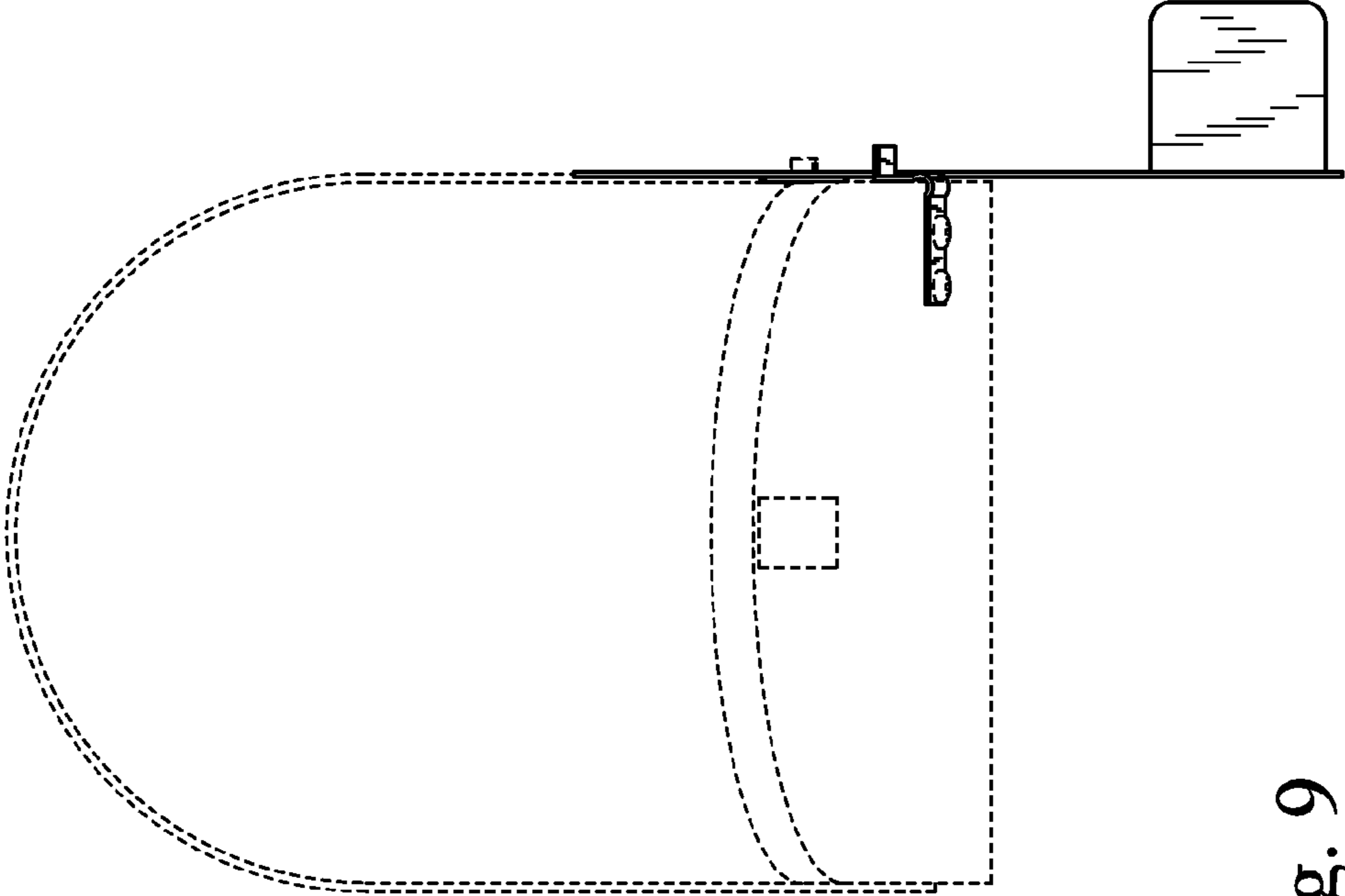


Fig. 9

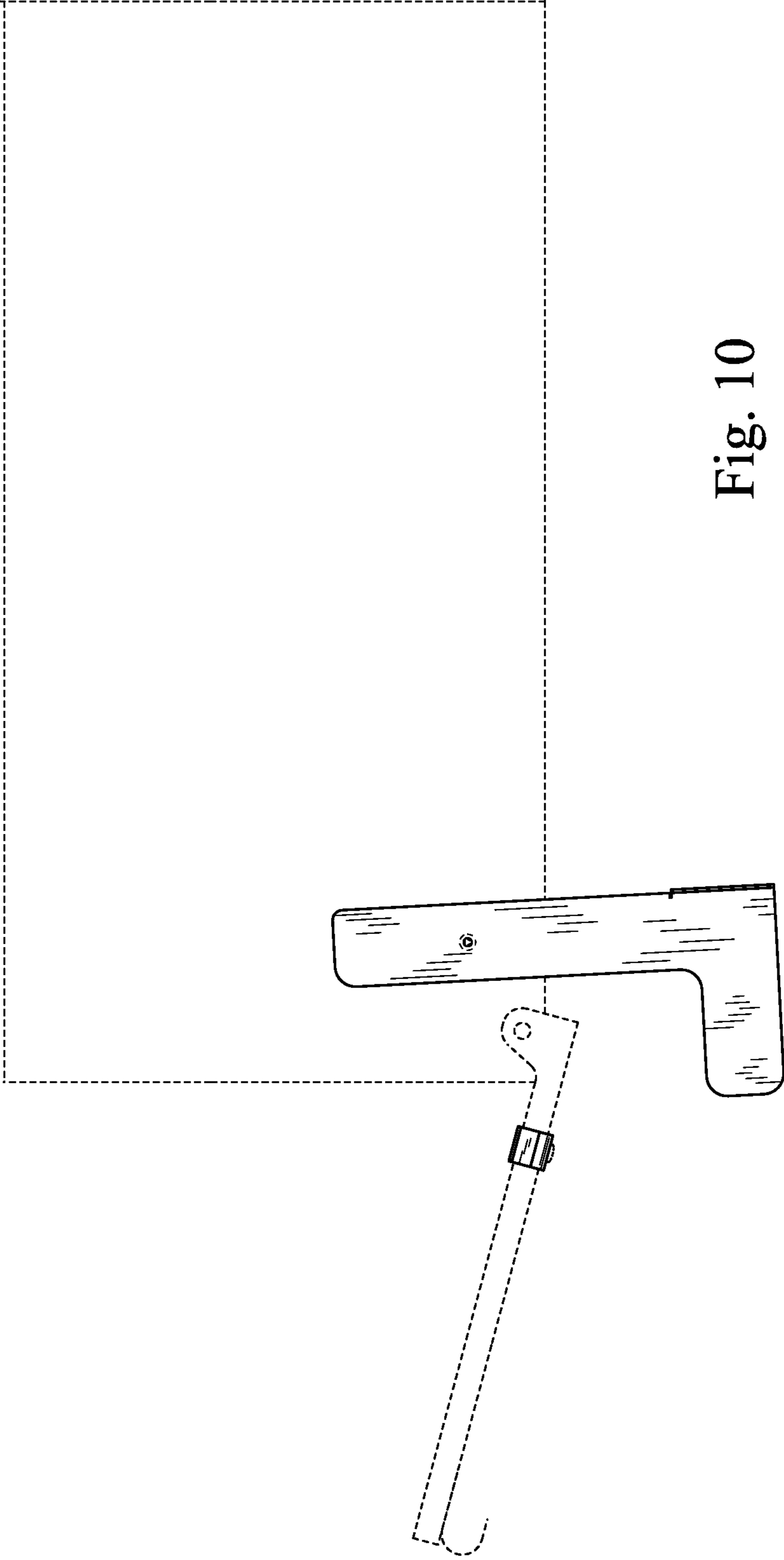


Fig. 10

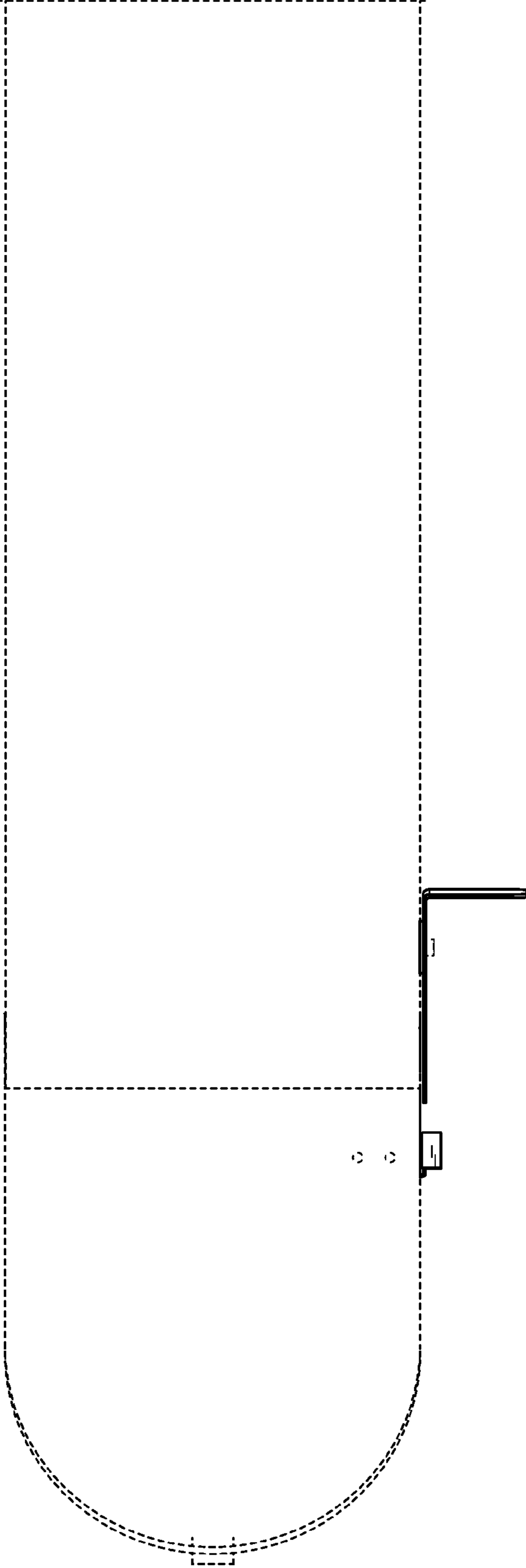


Fig. 11

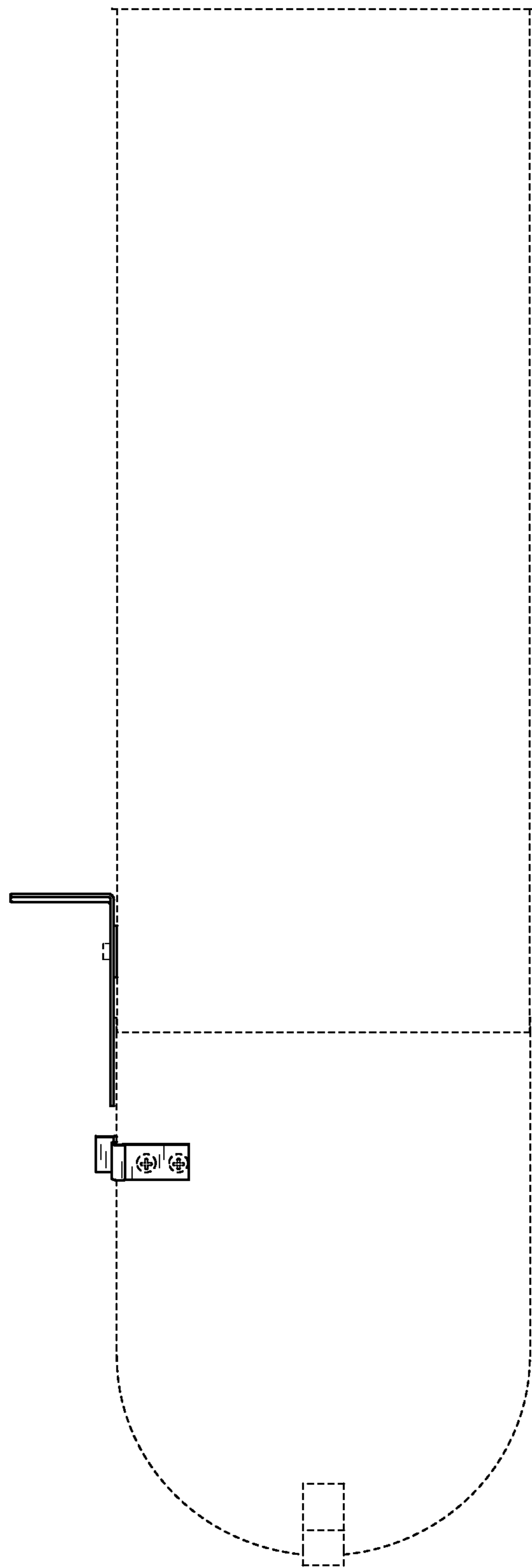


Fig. 12

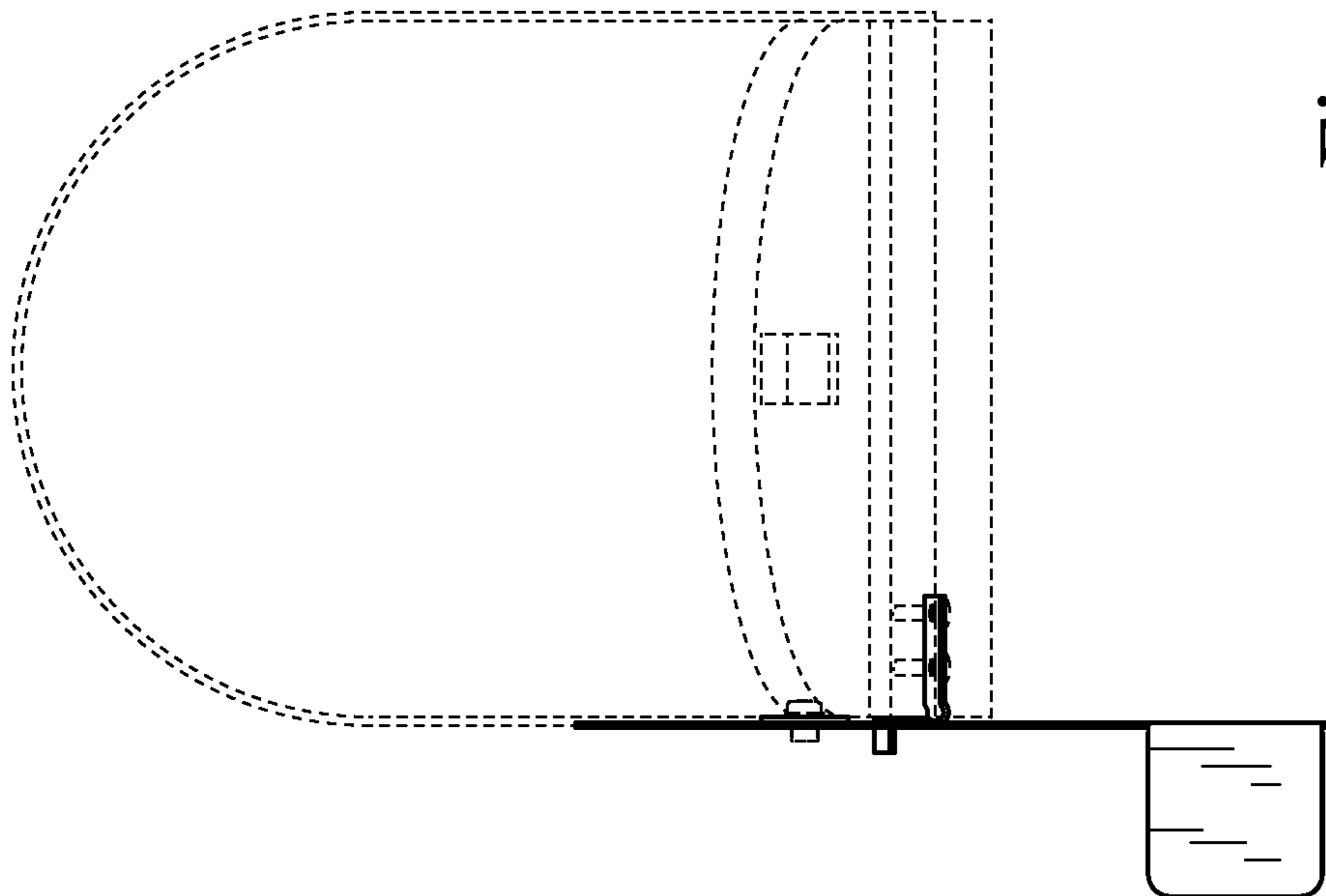


Fig. 13

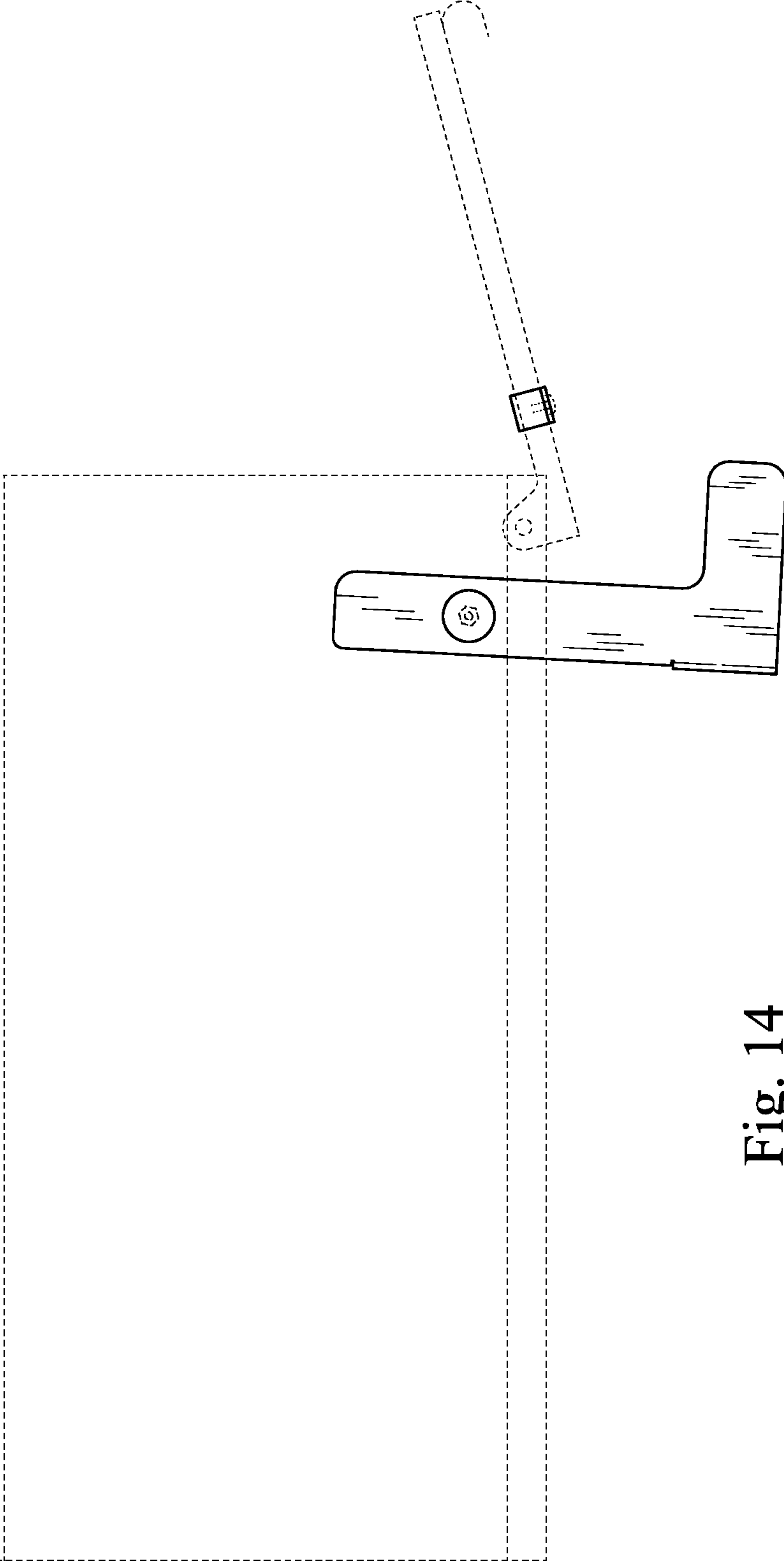


Fig. 14