



US00D699911S

(12) **United States Design Patent**  
**Kazaoka et al.**

(10) **Patent No.:** **US D699,911 S**  
(45) **Date of Patent:** **\*\* Feb. 18, 2014**

(54) **FORKLIFT LEVER COVER**

FOREIGN PATENT DOCUMENTS

(75) Inventors: **Naoki Kazaoka**, Tokyo (JP); **Mitsuaki Matsukuma**, Tokyo (JP); **Ryota Adachi**, Tokyo (JP)

JP 1351687 S 2/2009

(73) Assignee: **Mitsubishi Nichiyu Forklift Co., Ltd.**, Kyoto (JP)

OTHER PUBLICATIONS

Crown, Model name: FC4500, Aug. 2007.  
Hyundai, Model name: 35B-7, Jun. 2008.

(\*\*) Term: **14 Years**

\* cited by examiner

(21) Appl. No.: **29/430,609**

*Primary Examiner* — Cynthia Ramirez

(22) Filed: **Aug. 28, 2012**

(74) *Attorney, Agent, or Firm* — Birch, Stewart, Kolasch & Birch, LLP

(30) **Foreign Application Priority Data**

(57) **CLAIM**

The ornamental design for a forklift lever cover, as shown and described.

Mar. 13, 2012 (JP) ..... 2012-005658

**DESCRIPTION**

(51) **LOC (10) Cl.** ..... **12-05**

(52) **U.S. Cl.**  
USPC ..... **D34/35**

(58) **Field of Classification Search**  
USPC ..... D34/34, 35; 187/222, 237, 238;  
414/631; 180/89.12, 89.13, 89.17  
See application file for complete search history.

FIG. 1 is a perspective view of a forklift lever cover.  
FIG. 2 is a front elevation view thereof.  
FIG. 3 is a rear elevation view thereof.  
FIG. 4 is a left side elevation view thereof.  
FIG. 5 is a right side elevation view thereof.  
FIG. 6 is a top plan view thereof.  
FIG. 7 is a bottom plan view thereof.  
FIG. 8 is an enlarged cross-sectional view of the line 8-8 in FIG. 2.  
FIG. 9 is an enlarged cross-sectional view of the line 9-9 in FIG. 2; and,  
FIG. 10 is a referential view showing use thereof.  
The portion of the article shown in broken lines is for the purpose of showing environmental structure only and forms no part of the claimed design.

(56) **References Cited**

U.S. PATENT DOCUMENTS

- D374,535 S \* 10/1996 Feider et al. .... D34/35
- D524,509 S \* 7/2006 Cantrill et al. .... D34/35
- D525,409 S \* 7/2006 Cantrill et al. .... D34/35
- D579,624 S \* 10/2008 McVicar et al. .... D34/34
- D605,374 S \* 12/2009 Nishikawa et al. .... D34/34
- D612,563 S \* 3/2010 Stark ..... D34/34

**1 Claim, 10 Drawing Sheets**

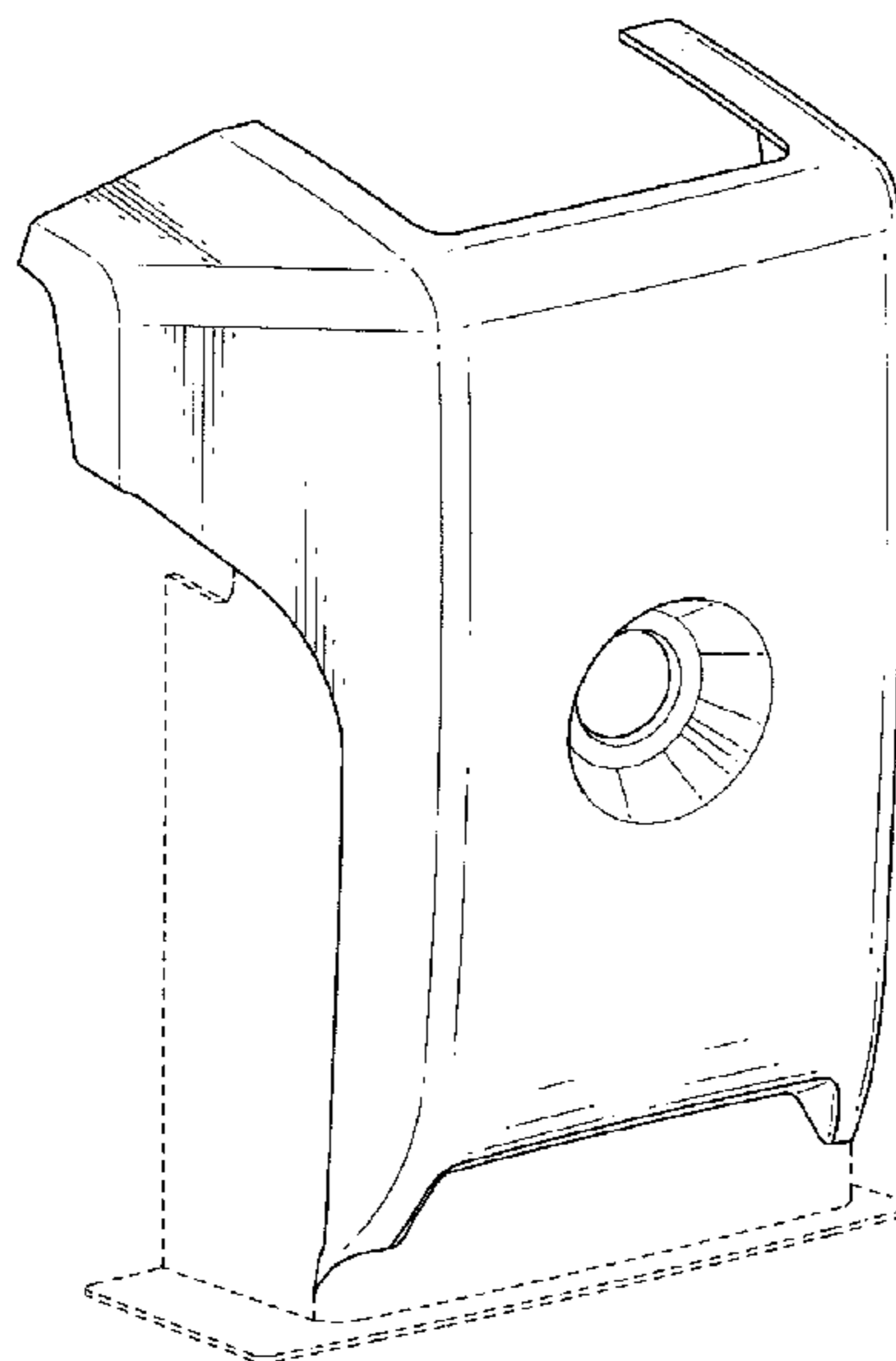


FIG. 1

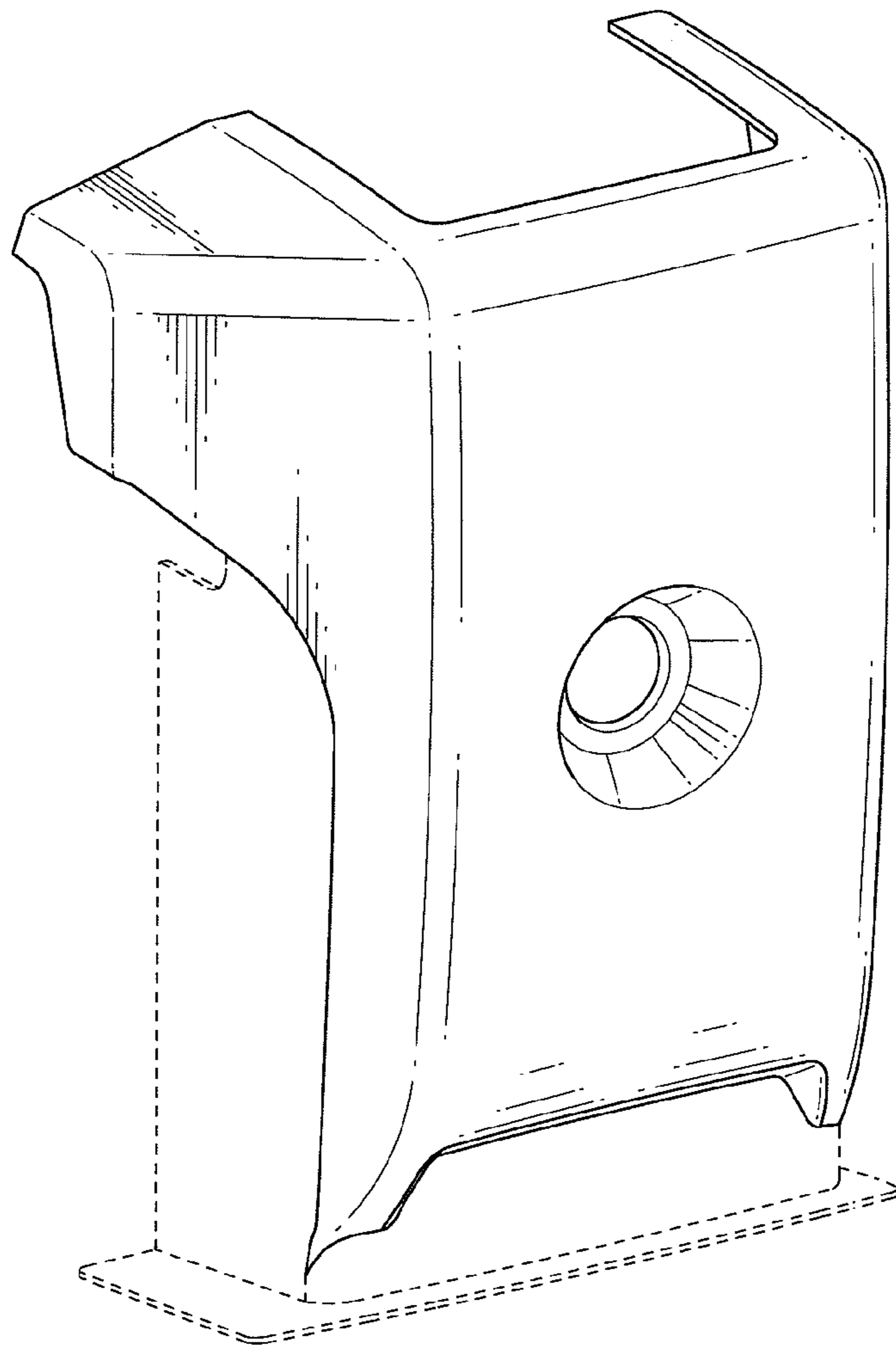


FIG. 2

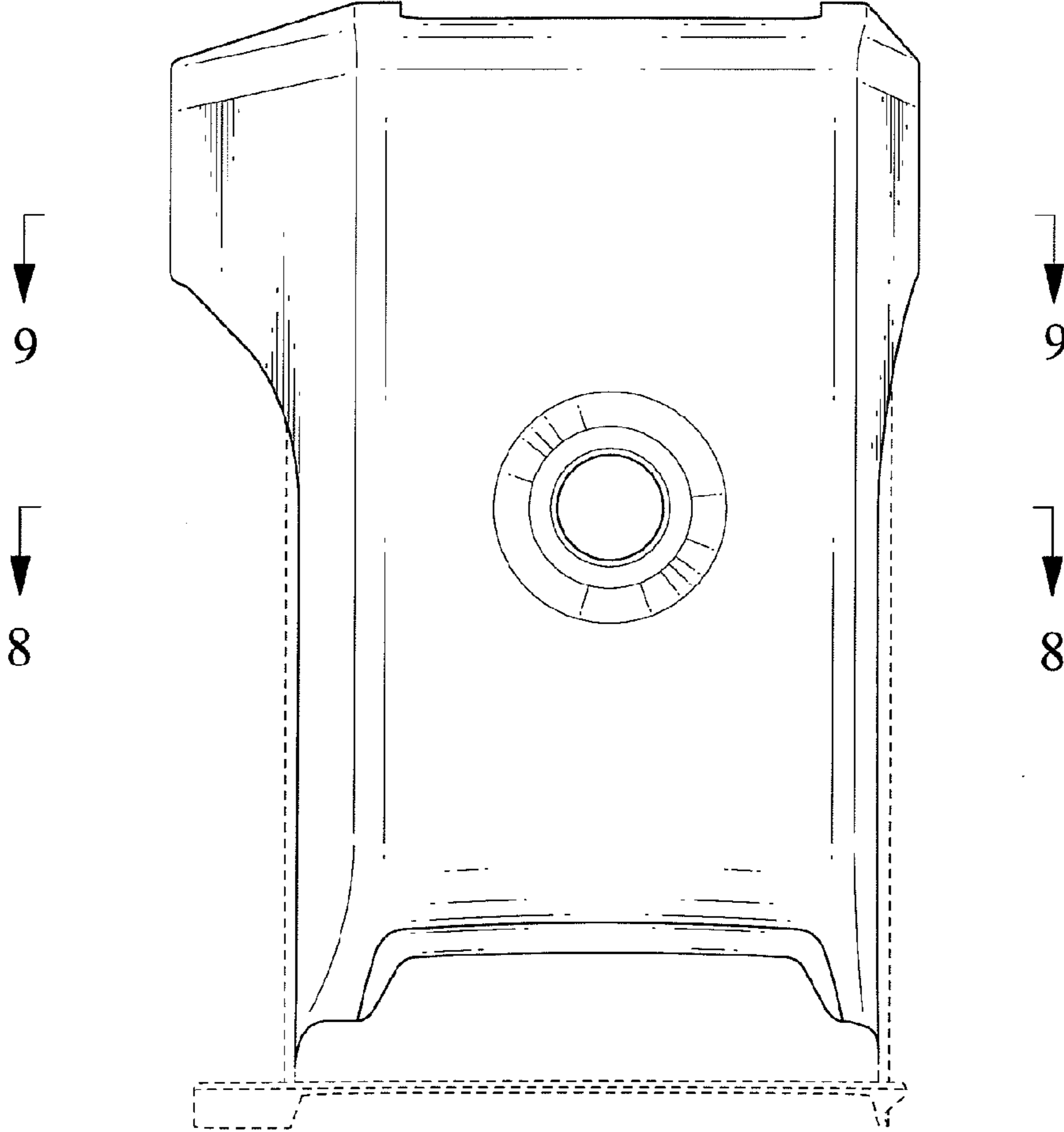


FIG. 3

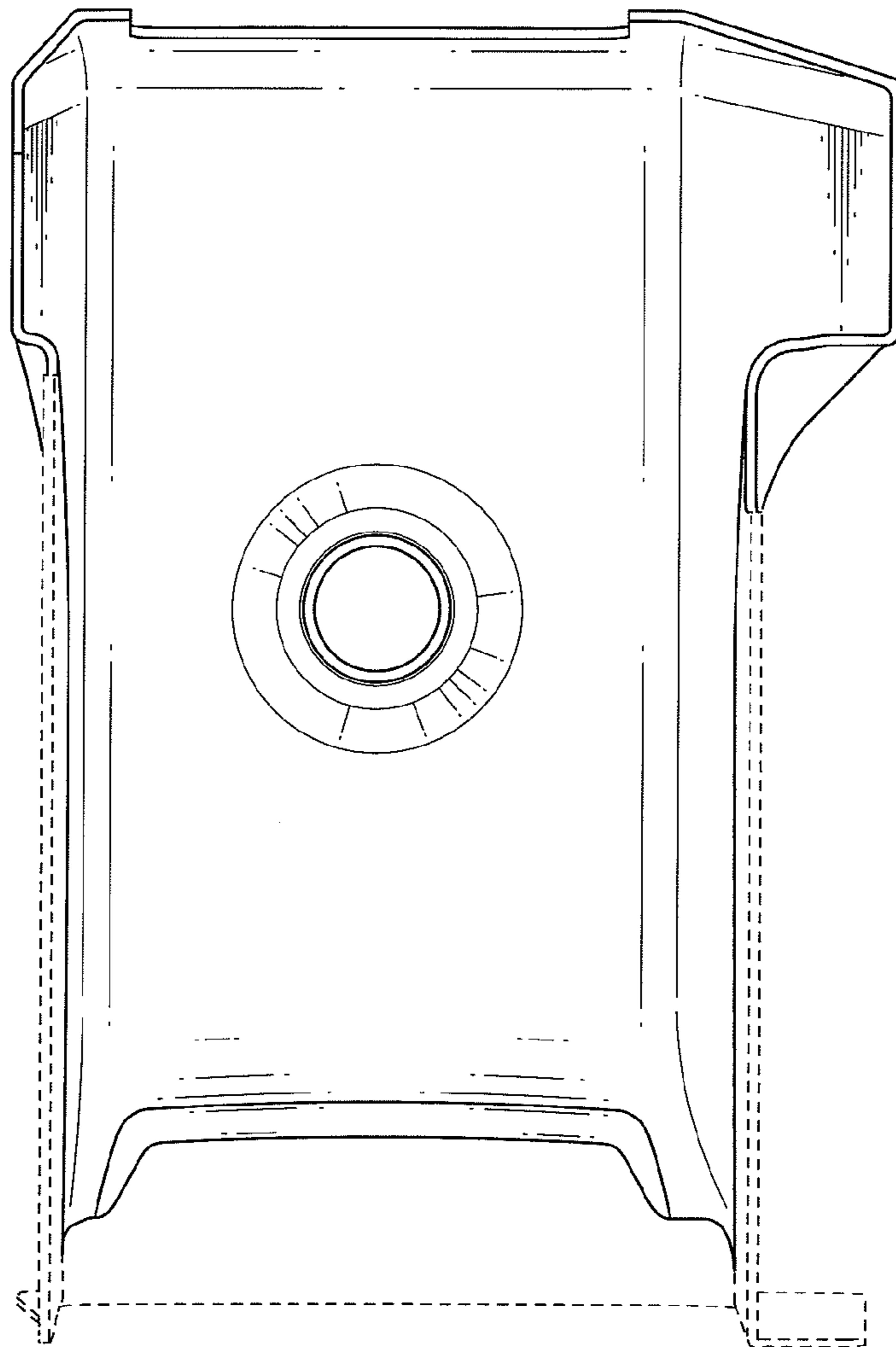


FIG. 4

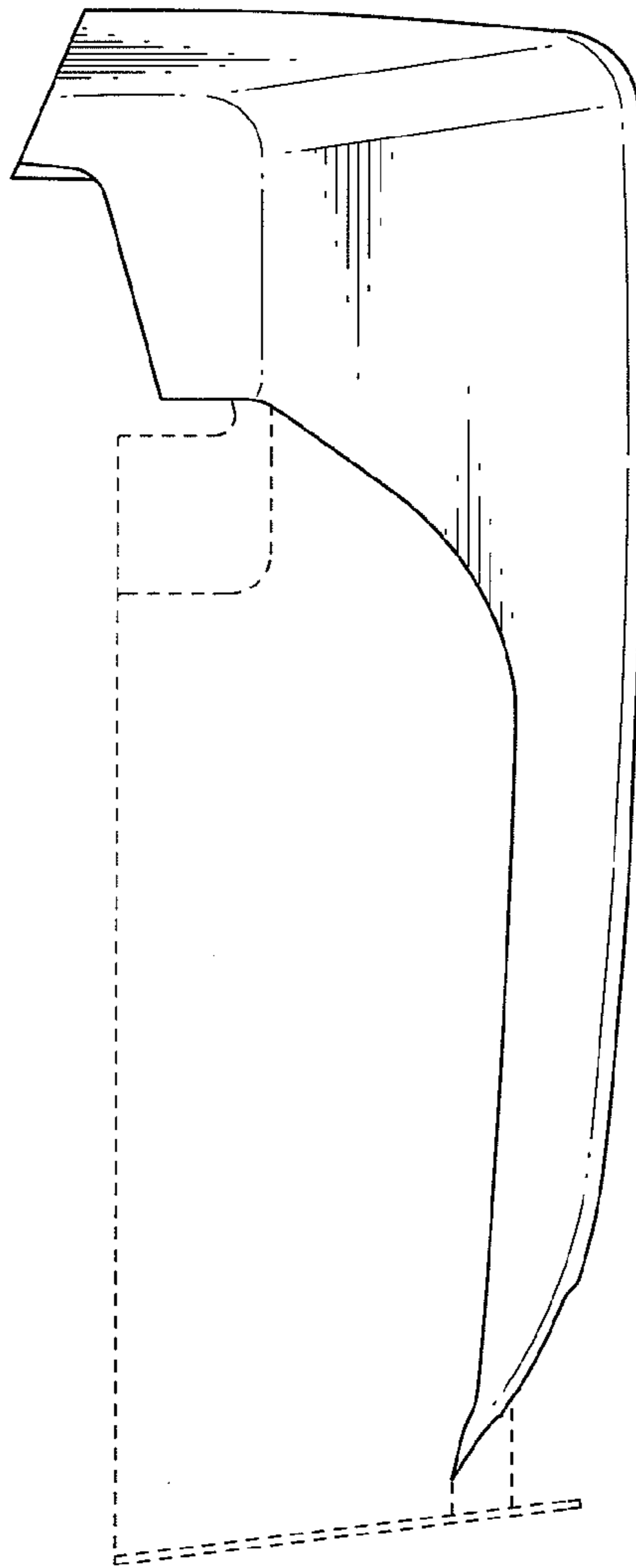


FIG. 5

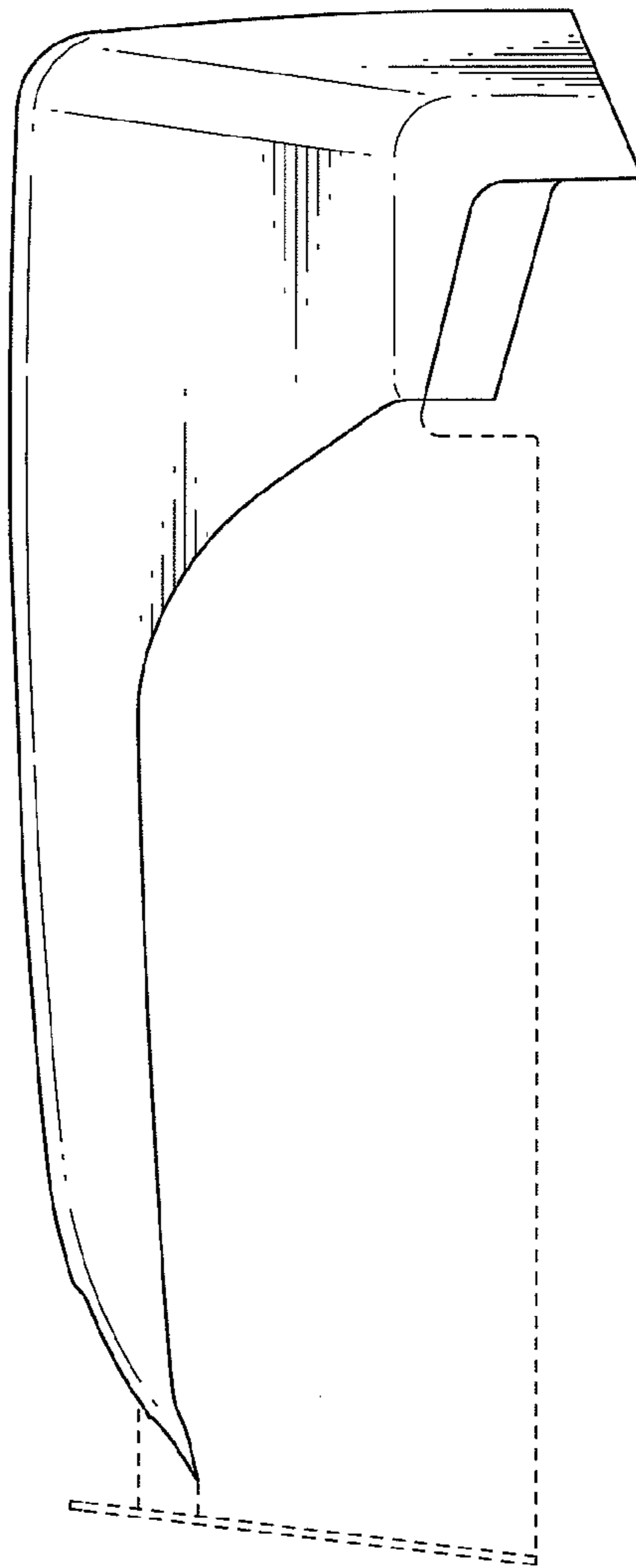


FIG. 6

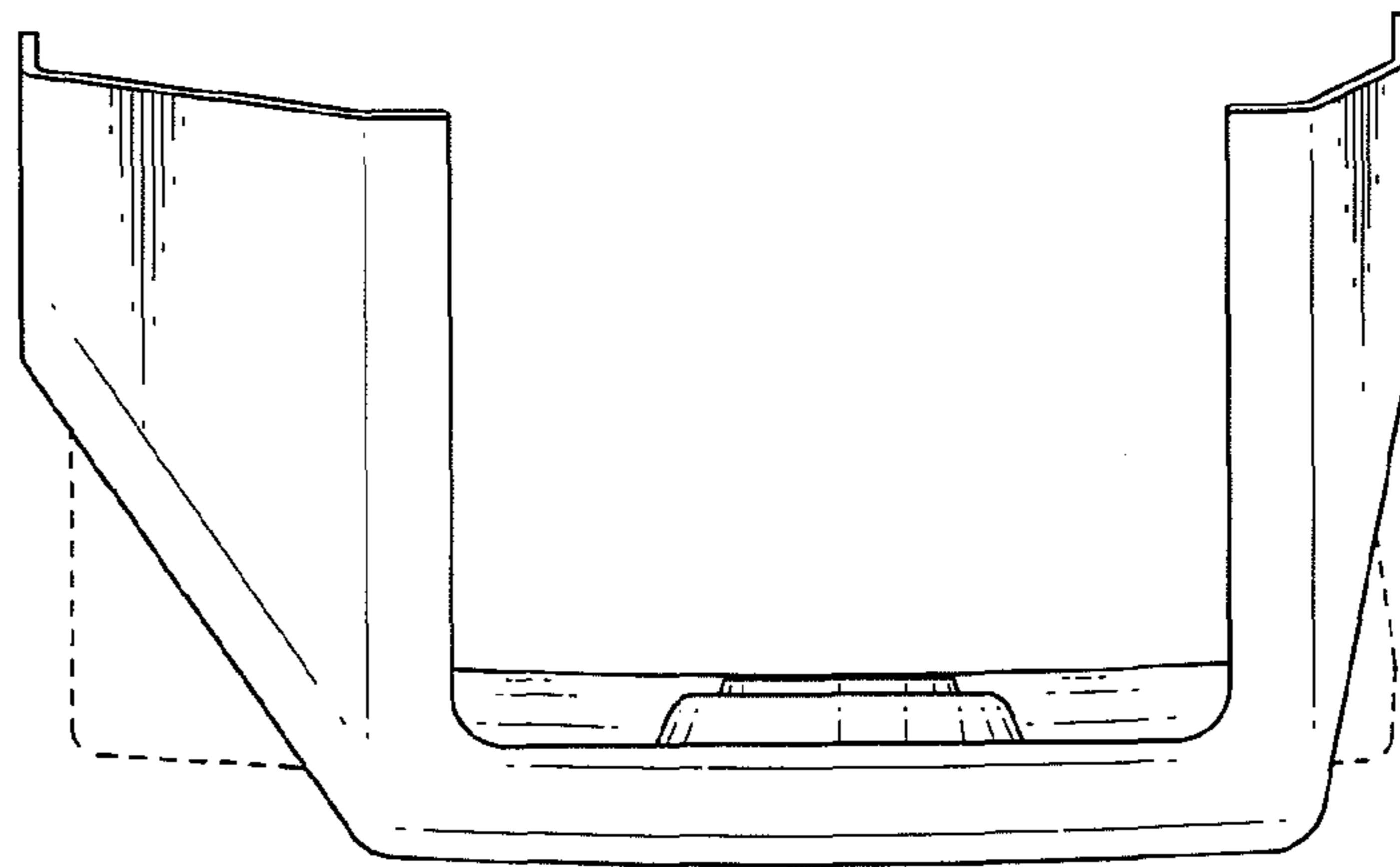


FIG. 7

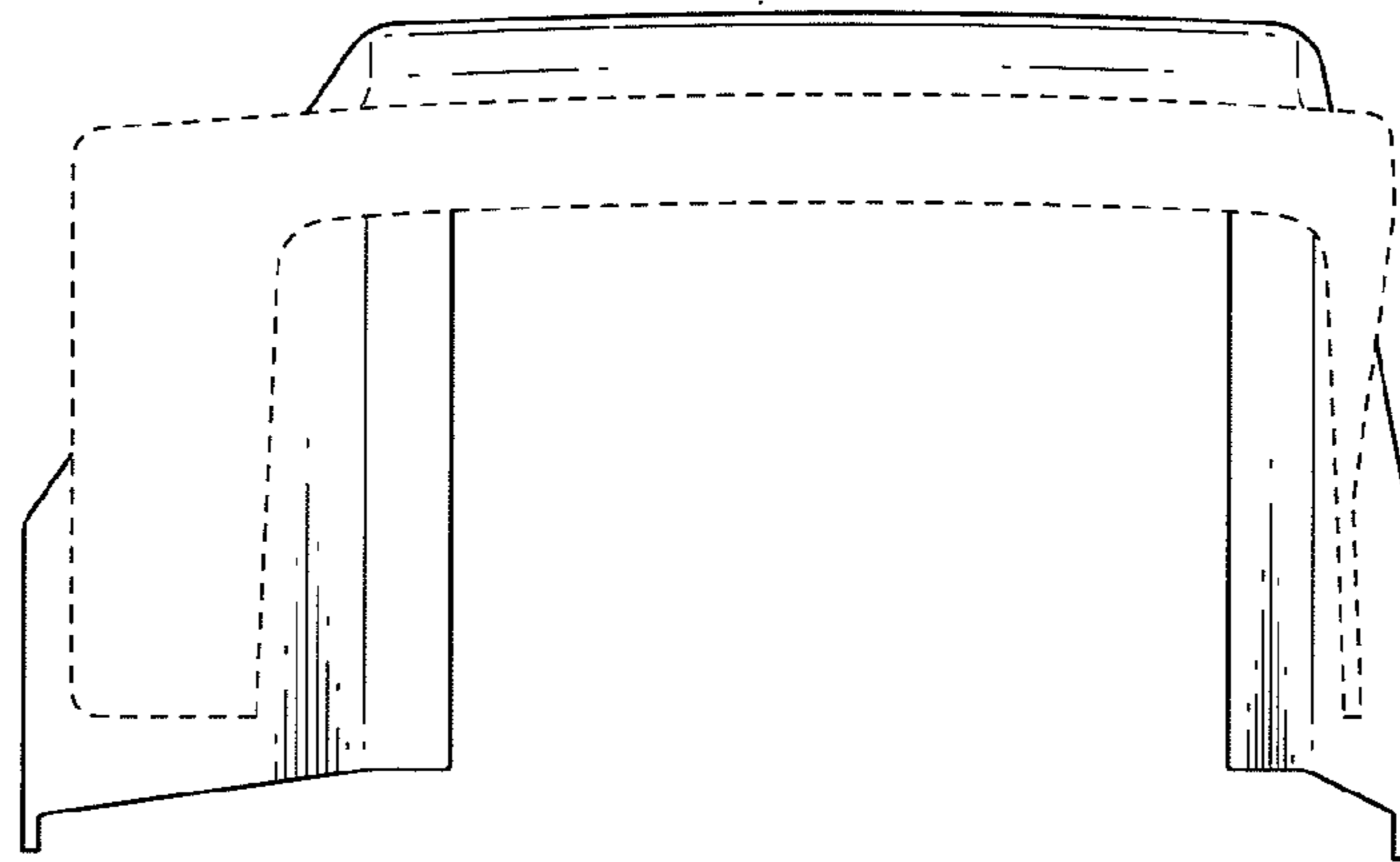




FIG. 8

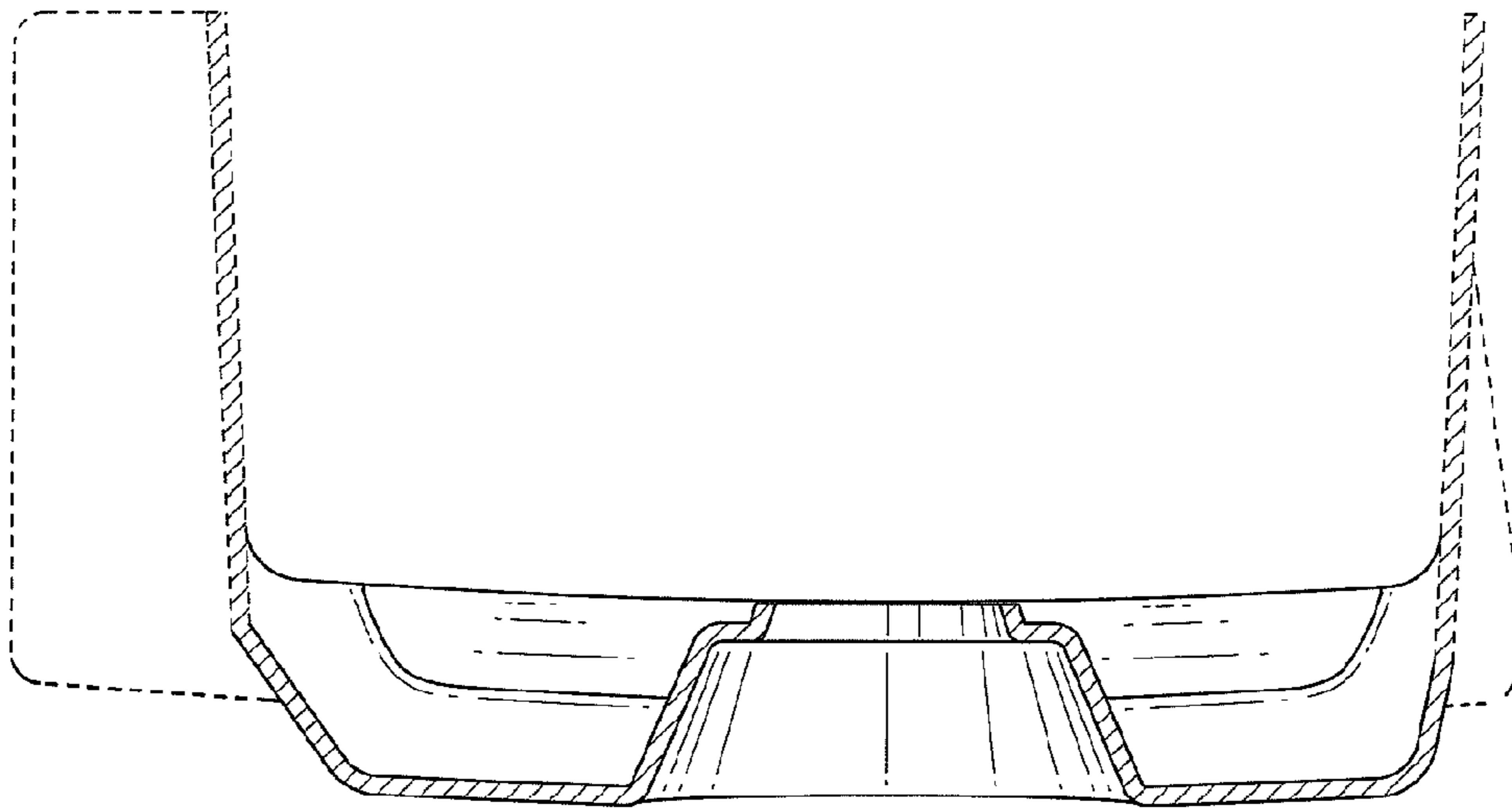


FIG. 9

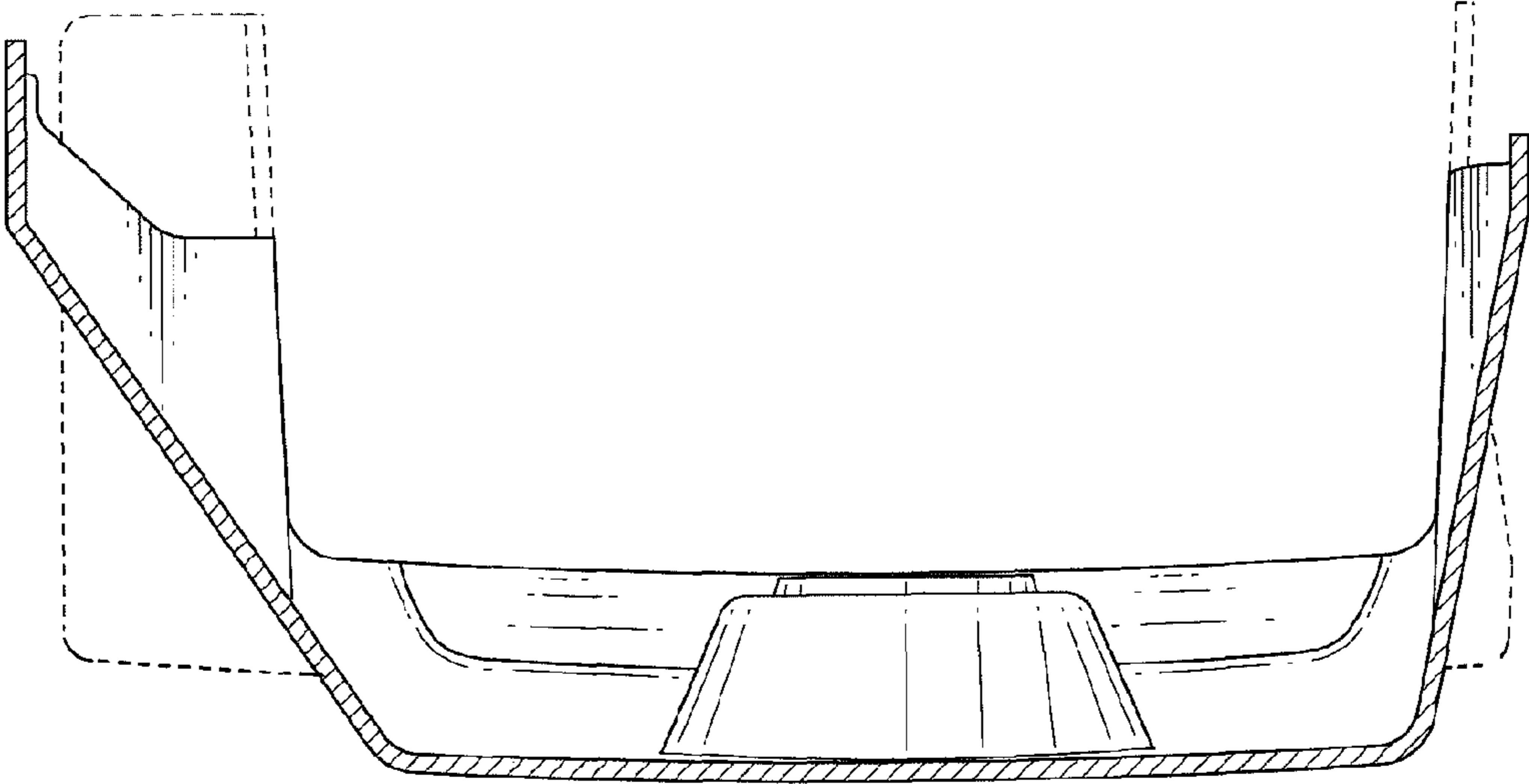


FIG. 10

