

US00D699910S

(12) **United States Design Patent**
Yang

(10) **Patent No.:** **US D699,910 S**

(45) **Date of Patent:** **** Feb. 18, 2014**

(54) **DUST-PROOF MECHANISM FOR A POSITIONING COVER**

(71) Applicant: **Cheng-Chiang Yang**, Taichung (TW)

(72) Inventor: **Cheng-Chiang Yang**, Taichung (TW)

(73) Assignee: **Great Taiwan Material Handling Co.**,
Taichung (TW)

(**) Term: **14 Years**

(21) Appl. No.: **29/441,148**

(22) Filed: **Jan. 1, 2013**

(51) **LOC (10) Cl.** **12-02**

(52) **U.S. Cl.**
USPC **D34/27**

(58) **Field of Classification Search**
USPC D34/27; 16/18 R; 280/64, 33.991,
280/33.992, 33.993, 33.994, 47.18, 47.26,
280/47.34

See application file for complete search history.

(56) **References Cited**

U.S. PATENT DOCUMENTS

3,805,321	A *	4/1974	Hodge	16/18 R
4,593,922	A *	6/1986	Upshaw et al.	280/33.992
D362,529	S *	9/1995	Hilaire et al.	D34/27
5,797,611	A *	8/1998	Joseph et al.	280/33.991
D487,833	S *	3/2004	Parker	D34/27

D491,331	S *	6/2004	Strong	D34/27
D503,254	S *	3/2005	Whiteside	D34/27
7,712,184	B1 *	5/2010	Lewis et al.	16/35 R
D676,624	S *	2/2013	Wright	D34/27
2004/0145135	A1 *	7/2004	Wintersgill et al.	280/33.991
2013/0069325	A1 *	3/2013	Wallace	280/47.34

* cited by examiner

Primary Examiner — Cynthia Ramirez

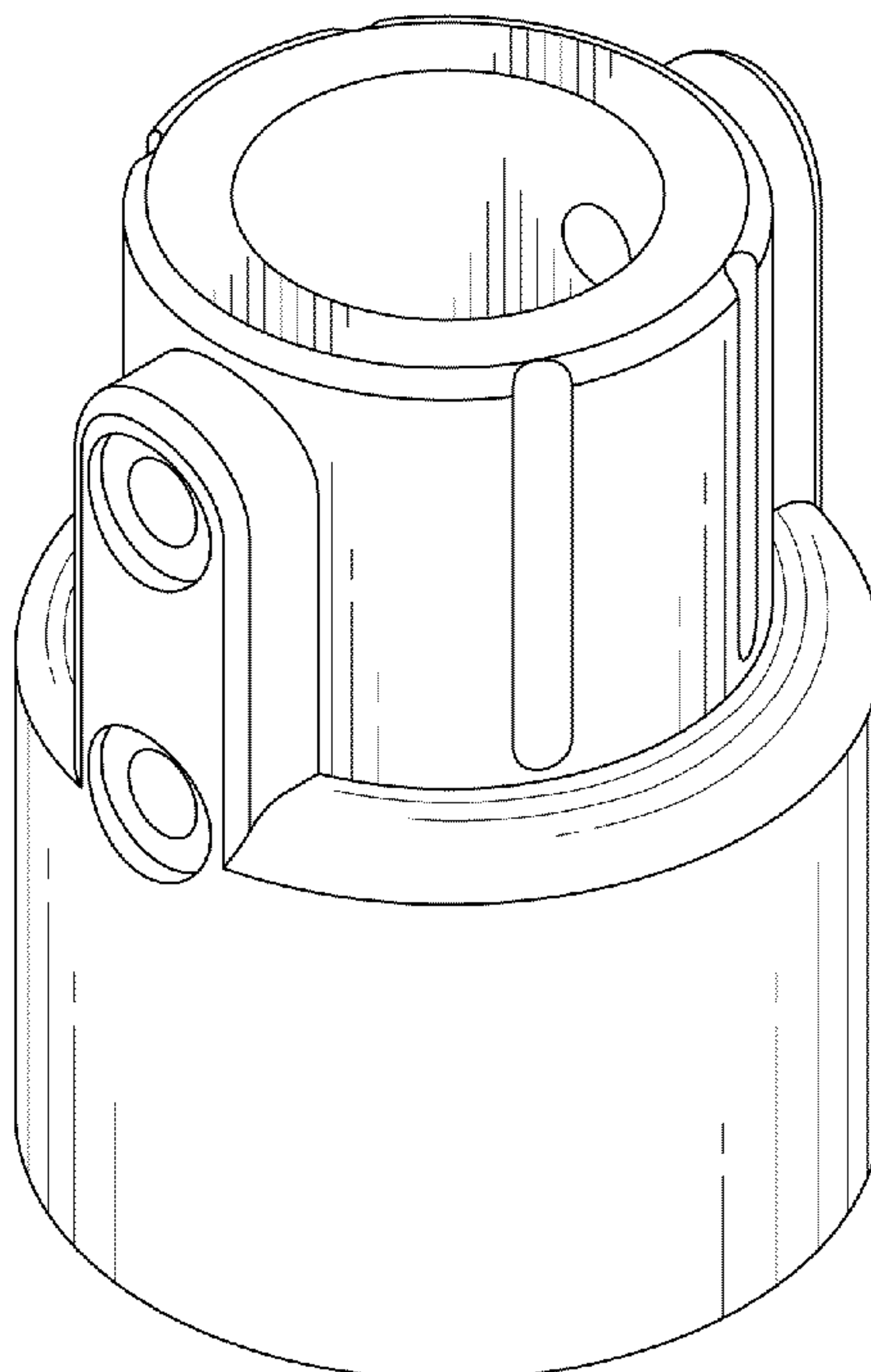
(57) **CLAIM**

The ornamental design for a dust-proof mechanism for a positioning cover, as shown and described.

DESCRIPTION

FIG. 1 is a perspective view of a dust-proof mechanism for a positioning cover showing my new design; FIG. 2 is a front elevational view thereof; FIG. 3 is a rear elevational view thereof; FIG. 4 is a left side view thereof; FIG. 5 is a right side view thereof; FIG. 6 is a top plan view thereof; FIG. 7 is a bottom plan view thereof; FIG. 8 is another perspective view thereof; and, FIG. 9 is an assembled view for showing the dust-proof mechanism for a positioning cover which is assembled between a pushing car and a wheel, wherein the broken line portion is for illustrative purpose only and forms no part of the claimed design.

1 Claim, 6 Drawing Sheets



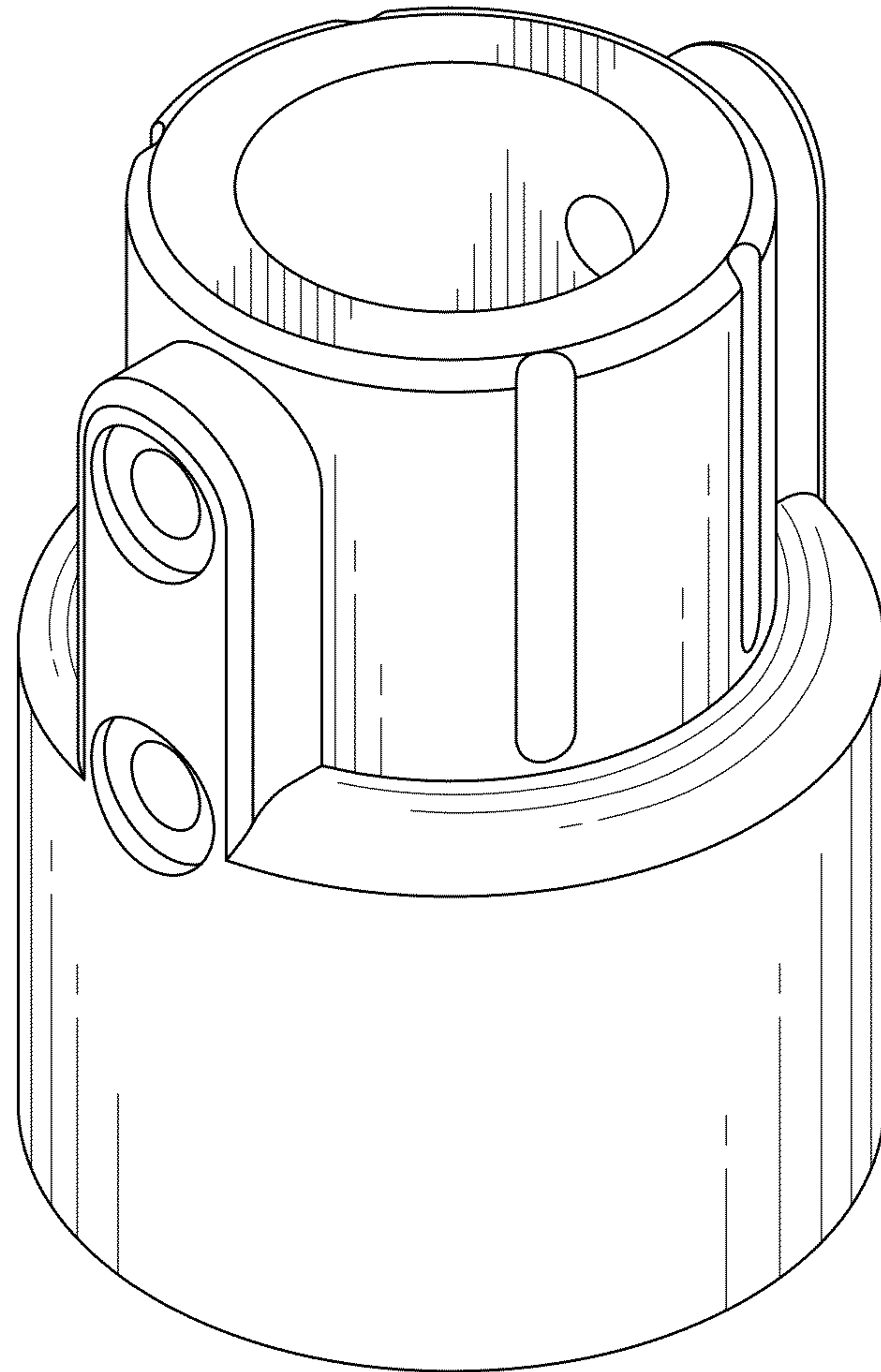


FIG. 1

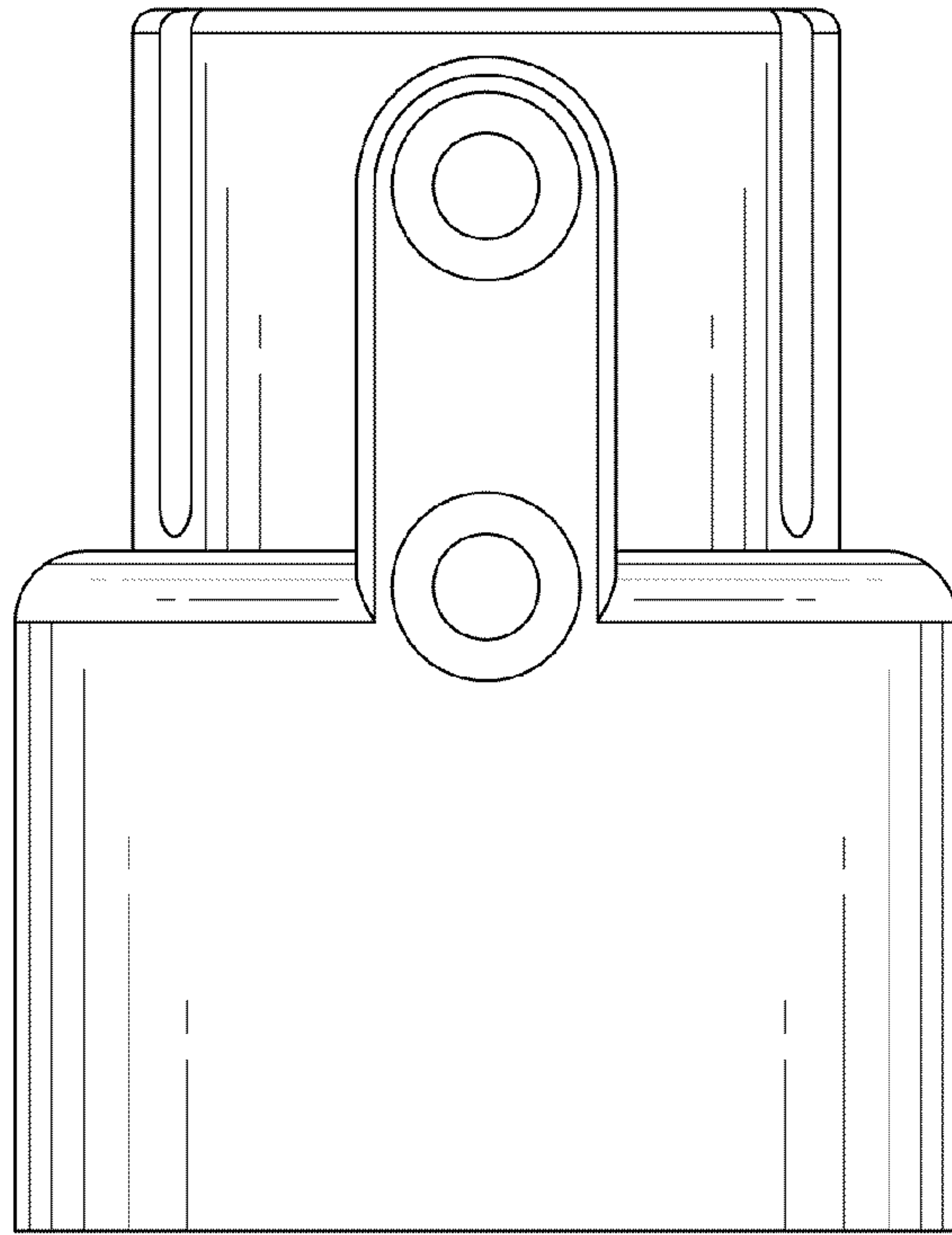


FIG. 2

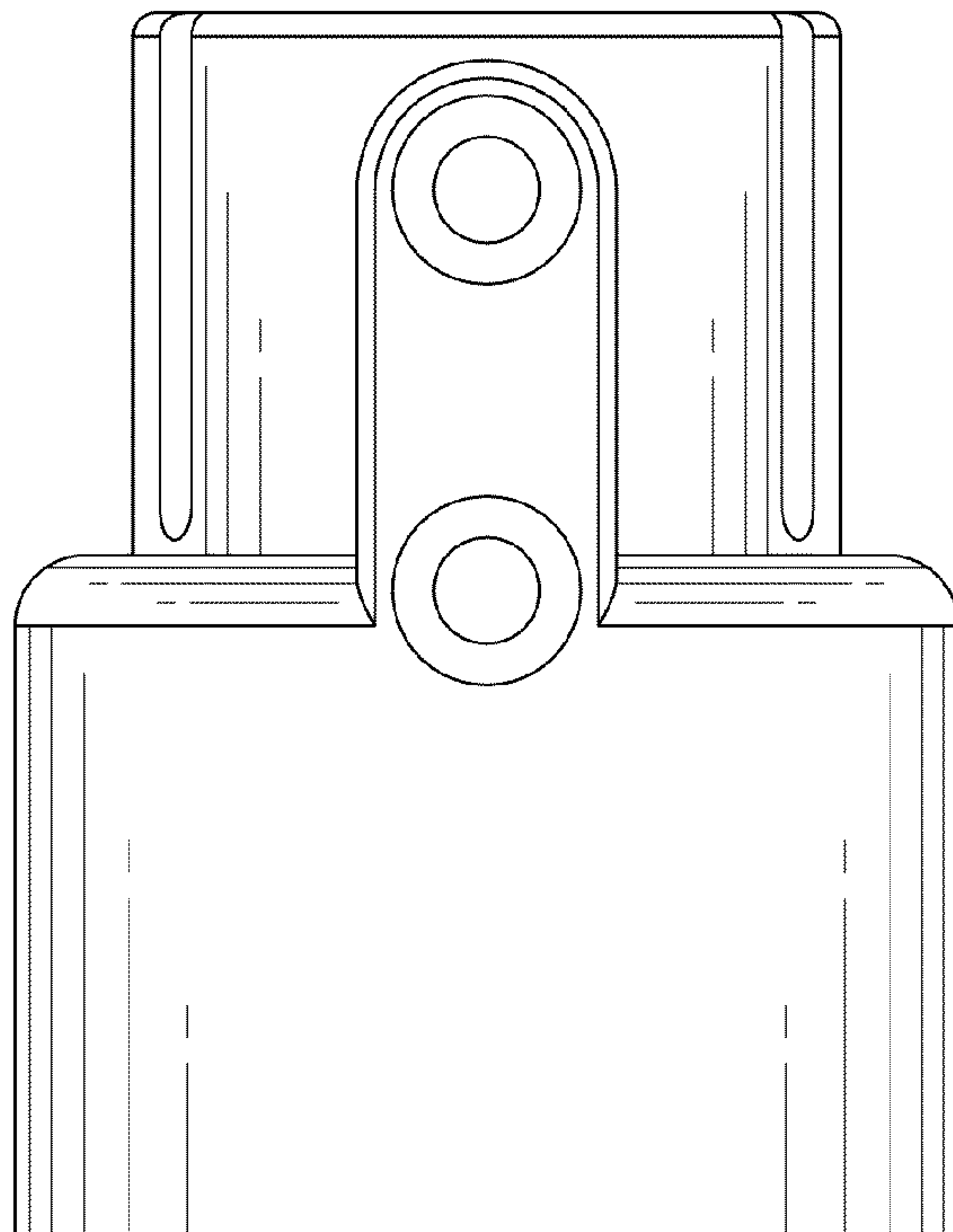


FIG. 3

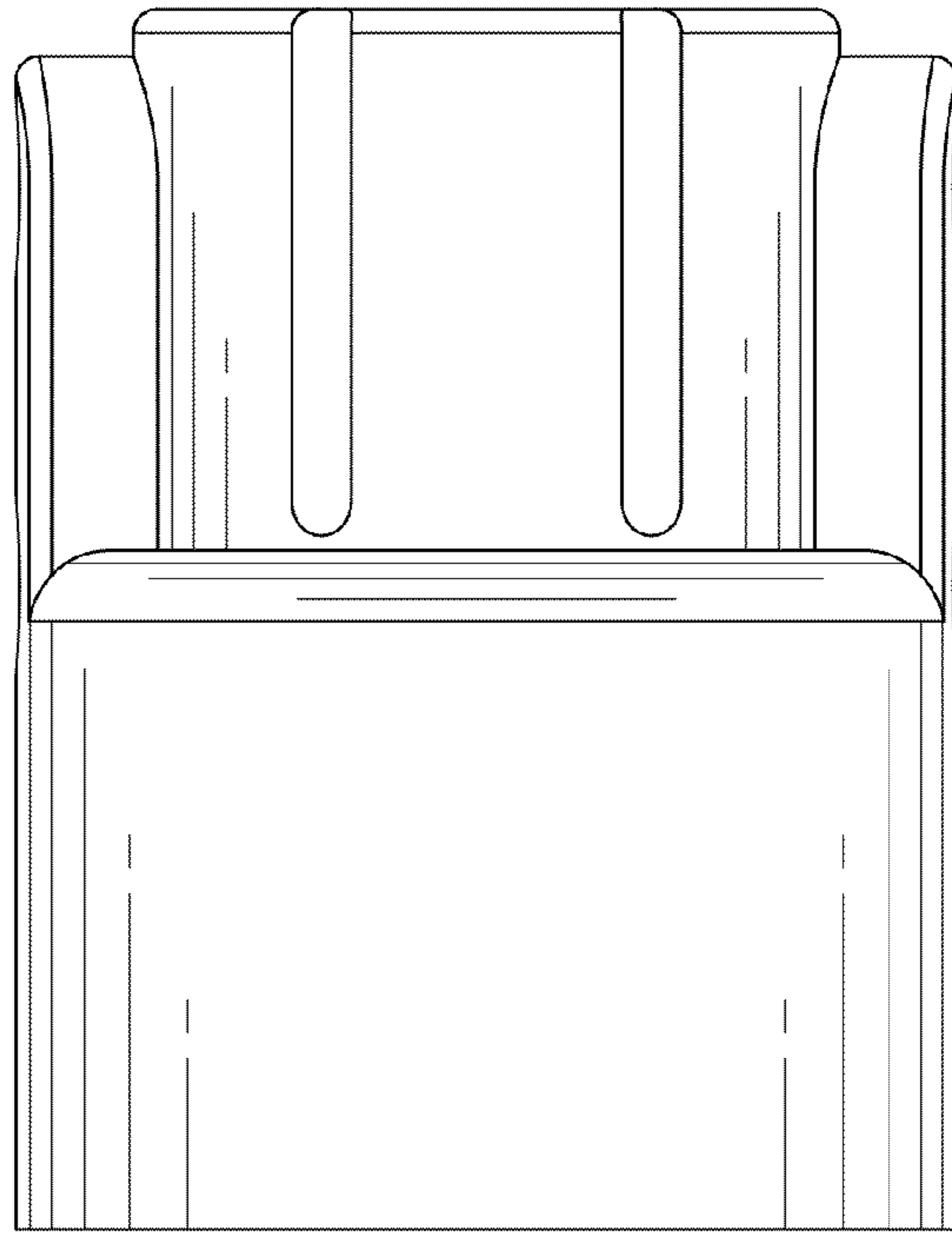


FIG. 4

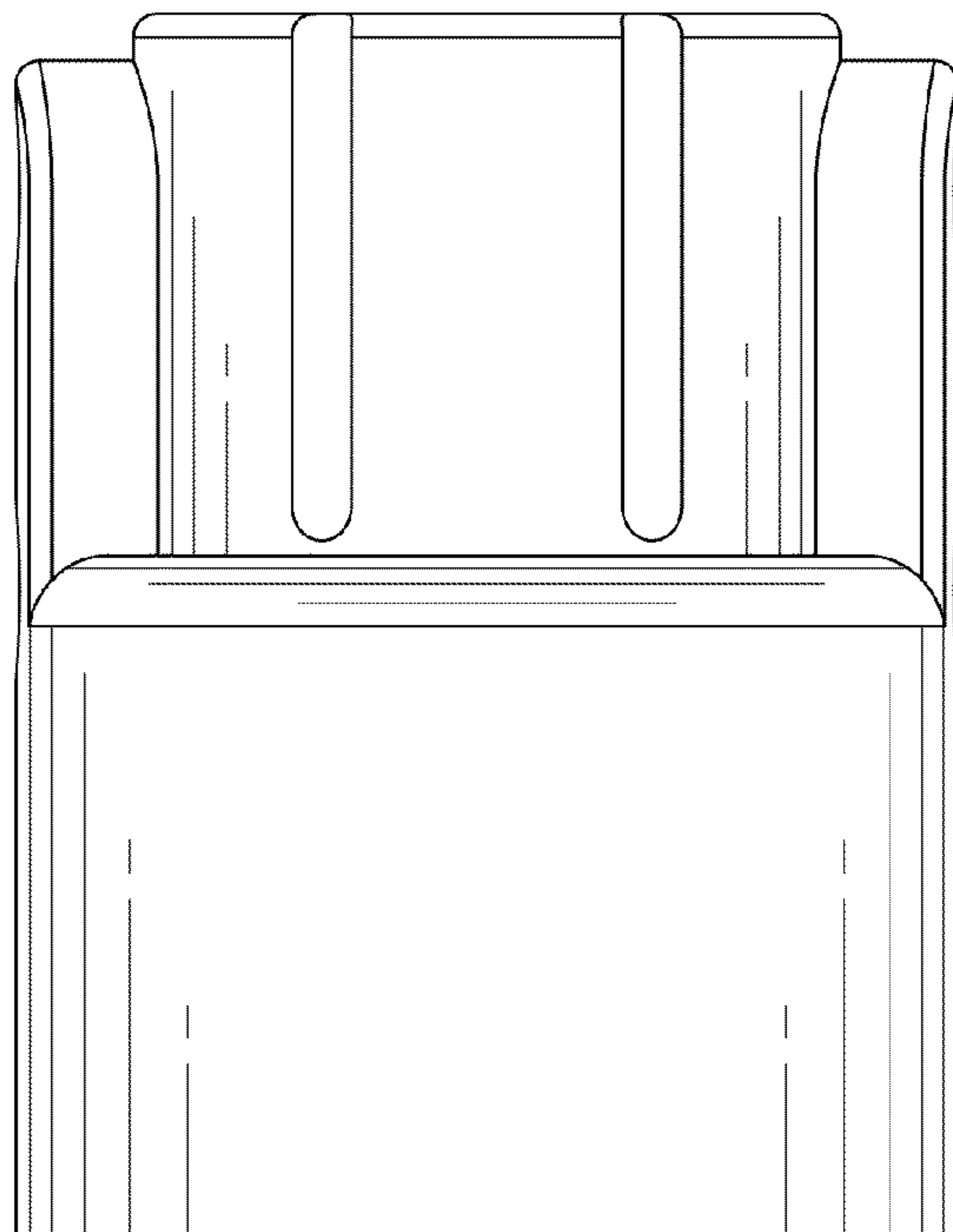


FIG. 5

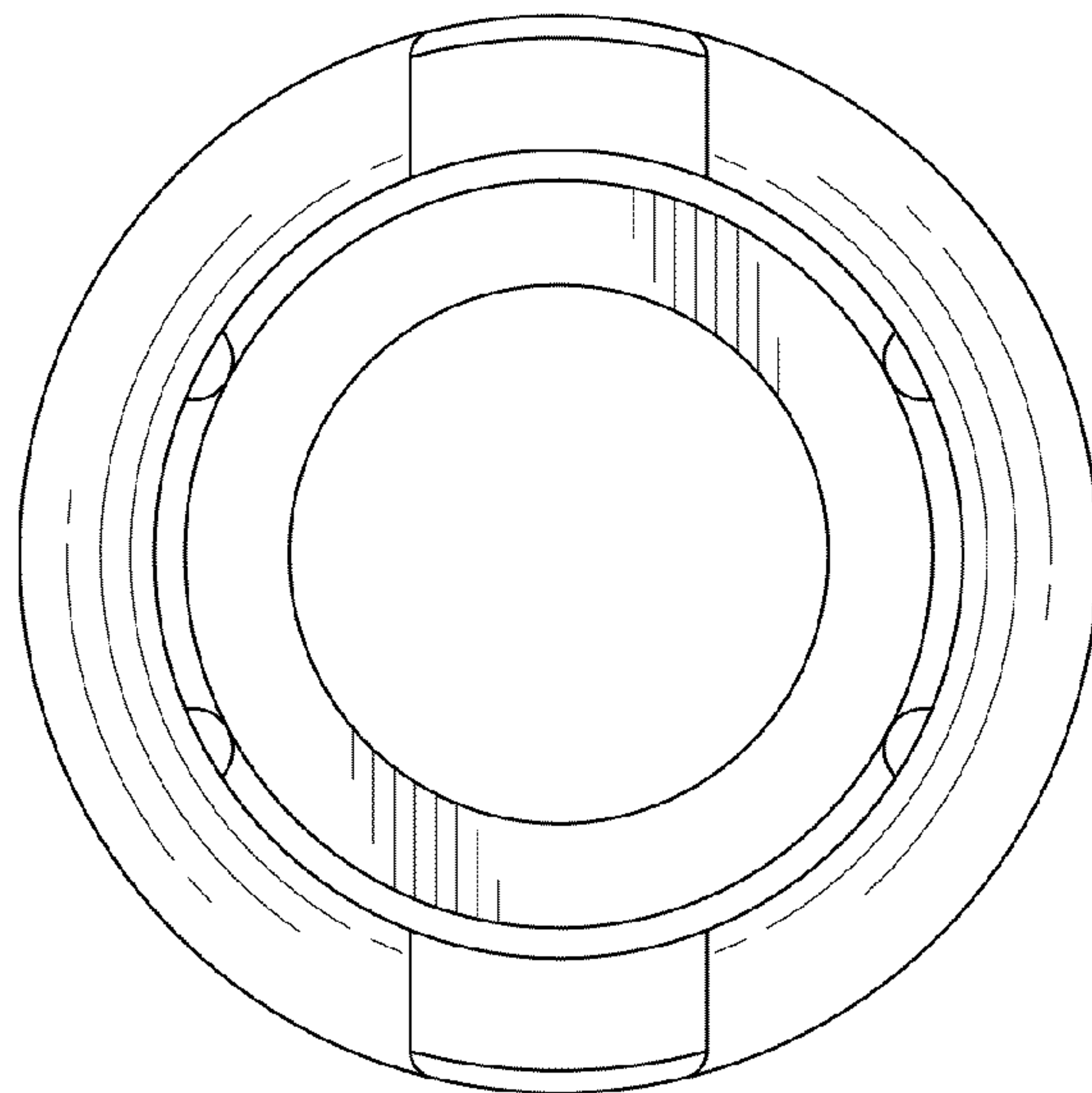


FIG. 6

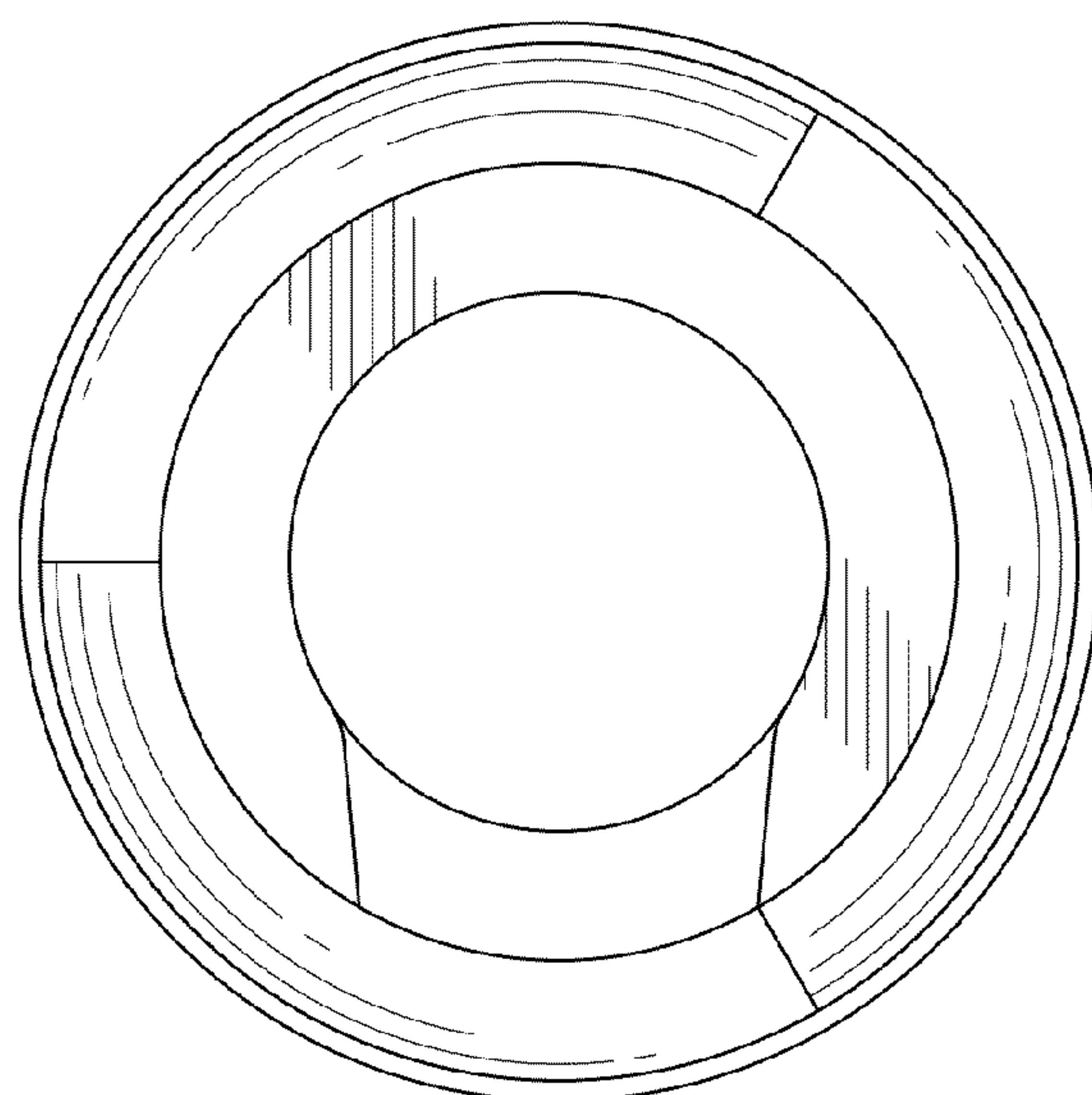


FIG. 7

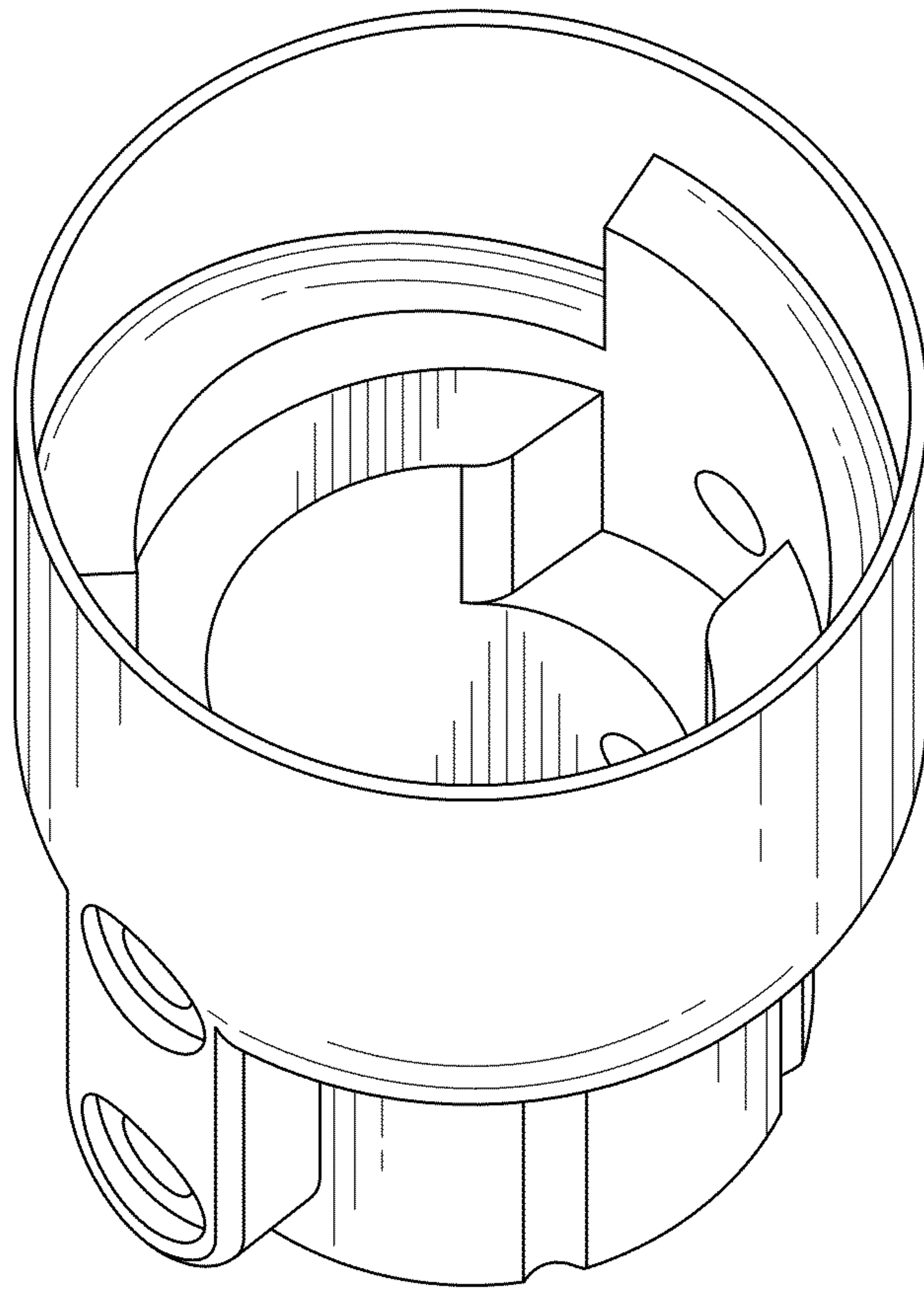


FIG. 8

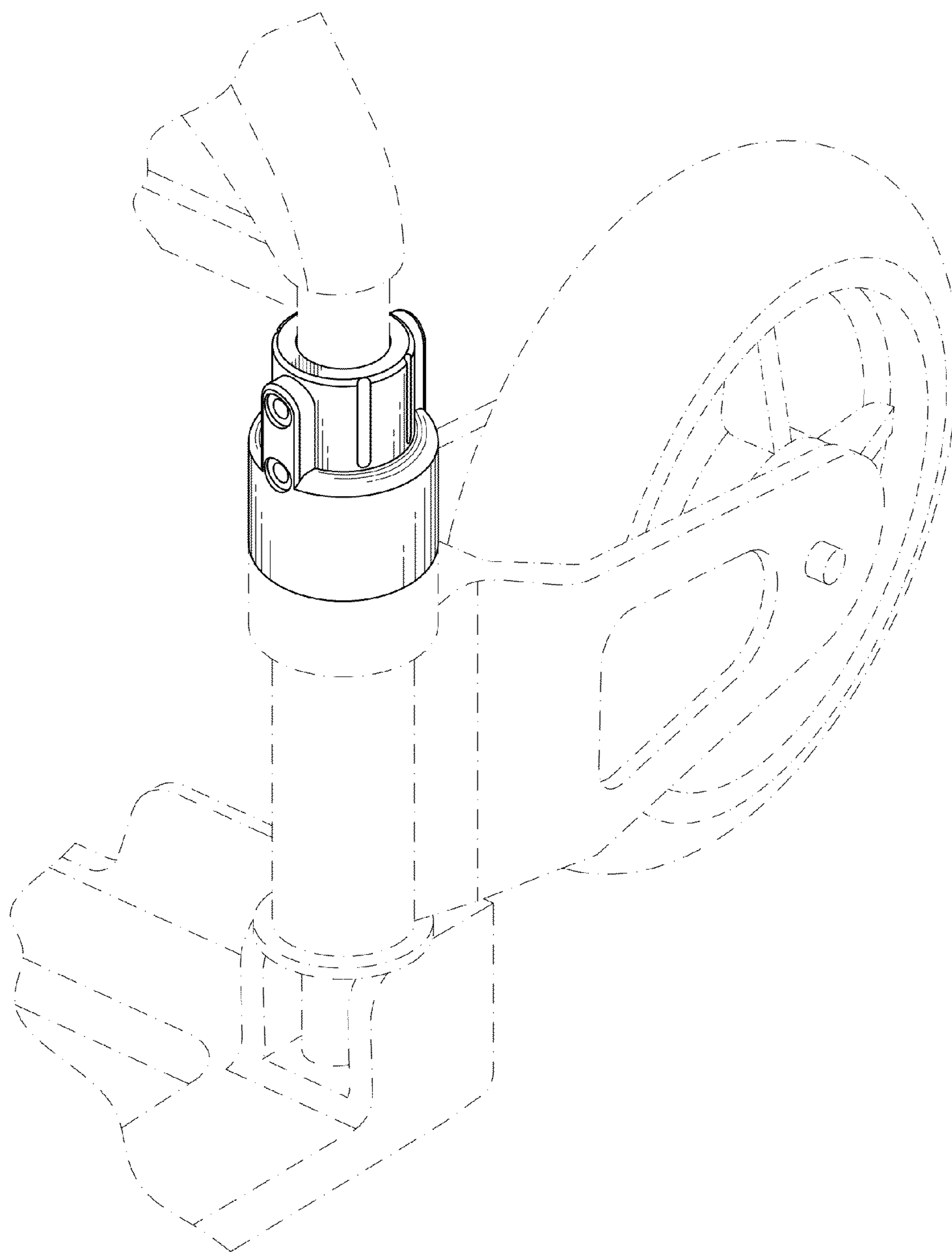


FIG. 9