



US00D699907S

(12) **United States Design Patent**  
**Choi et al.**

(10) **Patent No.:** **US D699,907 S**

(45) **Date of Patent:** **\*\* Feb. 18, 2014**

(54) **WASHING MACHINE**

(71) Applicant: **Samsung Electronics Co., Ltd.**,  
Suwon-Si (KR)

(72) Inventors: **Hyoungsub Choi**, Seoul (KR); **Tae Hyoung Cho**, Seoul (KR); **Kisang Yoon**, Daejeon-si (KR); **JungHoon Hwang**, Yongin-si (KR); **Jaewon Choi**, Seoul (KR)

(73) Assignee: **Samsung Electronics Co., Ltd.**,  
Gyeonggi-do (KR)

(\*\*) Term: **14 Years**

(21) Appl. No.: **29/457,979**

(22) Filed: **Jun. 14, 2013**

(30) **Foreign Application Priority Data**

Dec. 17, 2012 (KR) ..... 30-2012-0060868

(51) **LOC (10) Cl.** ..... **15-05**

(52) **U.S. Cl.**  
USPC ..... **D32/28**

(58) **Field of Classification Search**

USPC ..... D32/1, 5-6, 8, 10, 25, 28; 68/3 R, 5 R,  
68/12.01, 12.07, 12.08, 212; 34/87-88,  
34/523-524

See application file for complete search history.

(56) **References Cited**

**U.S. PATENT DOCUMENTS**

D176,642 S *	1/1956	Sundberg	.....	D32/6
D185,876 S *	8/1959	Reinecke et al.	.....	D32/8
D233,470 S *	10/1974	Hall	.....	D32/6
D374,954 S *	10/1996	Katz et al.	.....	D32/6
D465,308 S *	11/2002	Resuello et al.	.....	D32/6
D489,496 S *	5/2004	Sneddon	.....	D32/6
D524,494 S *	7/2006	Kim et al.	.....	D32/9
D526,453 S *	8/2006	Jun	.....	D32/6
D527,150 S *	8/2006	Jun	.....	D32/6

D538,488 S *	3/2007	Carey et al.	.....	D32/6
D542,487 S *	5/2007	Jun	.....	D32/6
D554,307 S *	10/2007	Kim	.....	D32/6
D575,012 S *	8/2008	Rossetto et al.	.....	D32/6
D620,656 S *	7/2010	Bixby et al.	.....	D32/25
D621,563 S *	8/2010	Bixby et al.	.....	D32/25
D631,215 S *	1/2011	Song et al.	.....	D32/6
D632,033 S *	2/2011	Song et al.	.....	D32/6
D633,261 S *	2/2011	Song et al.	.....	D32/6
D648,084 S *	11/2011	Browne et al.	.....	D32/28
D648,085 S *	11/2011	Miller et al.	.....	D32/28
D648,497 S *	11/2011	Bhattacharya	.....	D32/28
D654,640 S *	2/2012	Song et al.	.....	D32/6
D679,462 S *	4/2013	Zhang et al.	.....	D32/6
2007/0107471 A1 *	5/2007	Zaccone et al.	.....	68/3 R
2011/0308281 A1 *	12/2011	Yu et al.	.....	68/212

\* cited by examiner

*Primary Examiner* — T. Chase Nelson

*Assistant Examiner* — Kathleen M Sims

(74) *Attorney, Agent, or Firm* — Harness, Dickey & Pierce, P.L.C.

(57) **CLAIM**

The ornamental design for a washing machine, as shown and described.

**DESCRIPTION**

FIG. 1 is the front/right-side/top perspective view of a washing machine showing our new design;  
FIG. 2 is the front elevational view thereof;  
FIG. 3 is the rear elevational view thereof;  
FIG. 4 is the left-side elevational view thereof;  
FIG. 5 is the right-side elevational view thereof;  
FIG. 6 is a top plan view thereof; and,  
FIG. 7 is the bottom plan view thereof.

The surface treatment of the washing machine shown in the figures forms no part of the claimed design, a washing machine according to the claimed design may have any surface treatment.

The broken lines shown in the drawings represent unclaimed portions of Washing machine.

**1 Claim, 7 Drawing Sheets**

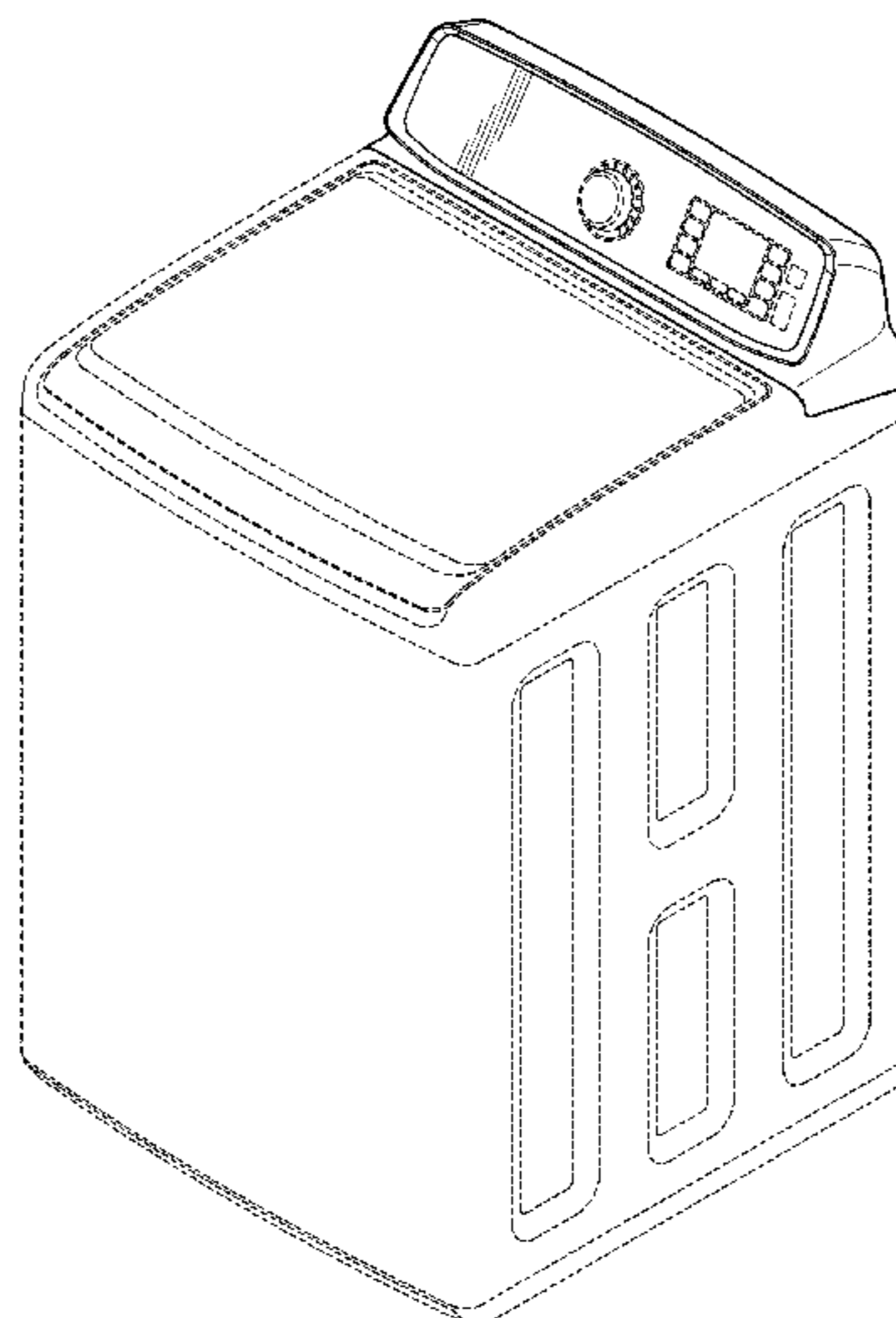


FIG. 1

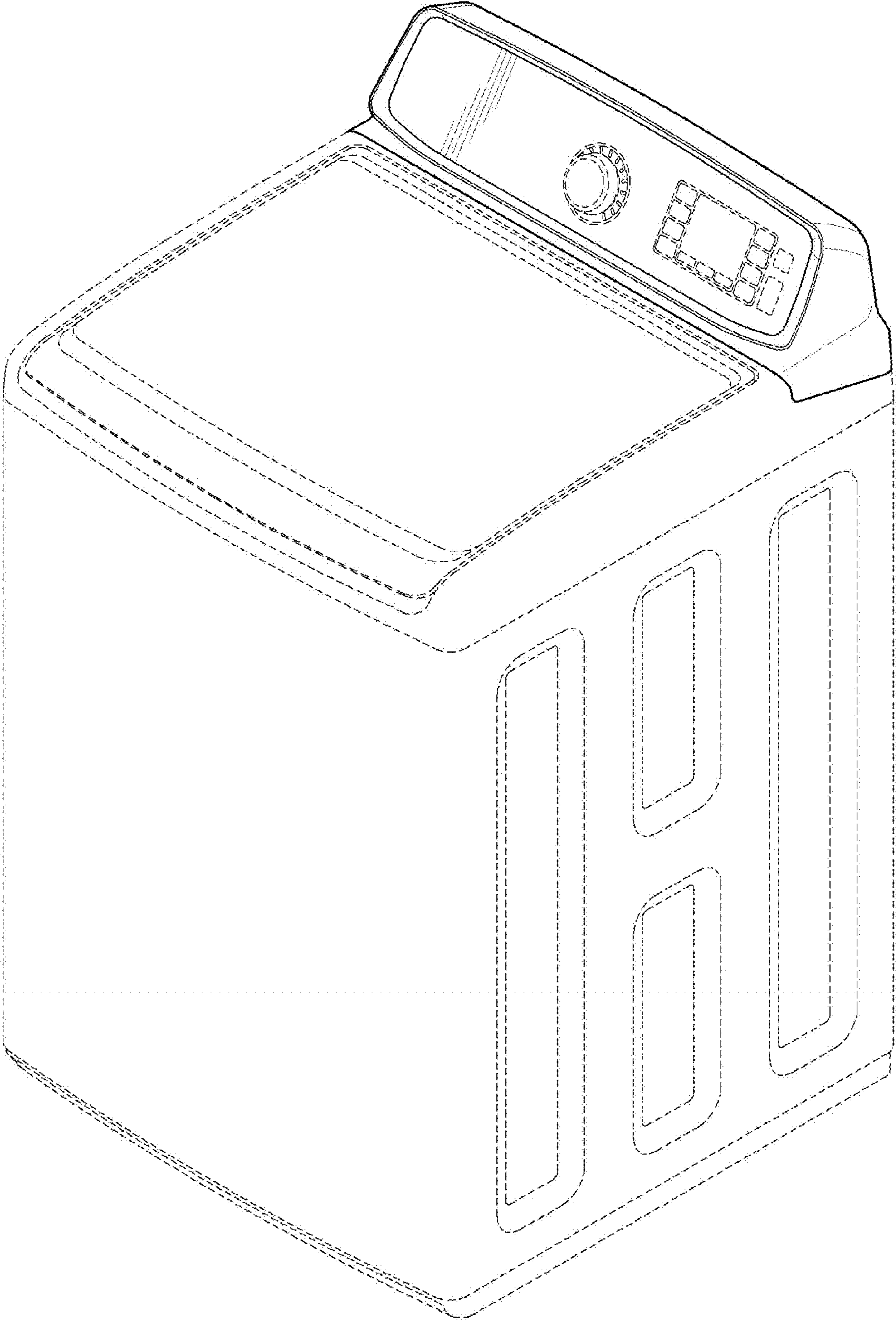


FIG. 2



FIG. 3



FIG. 4

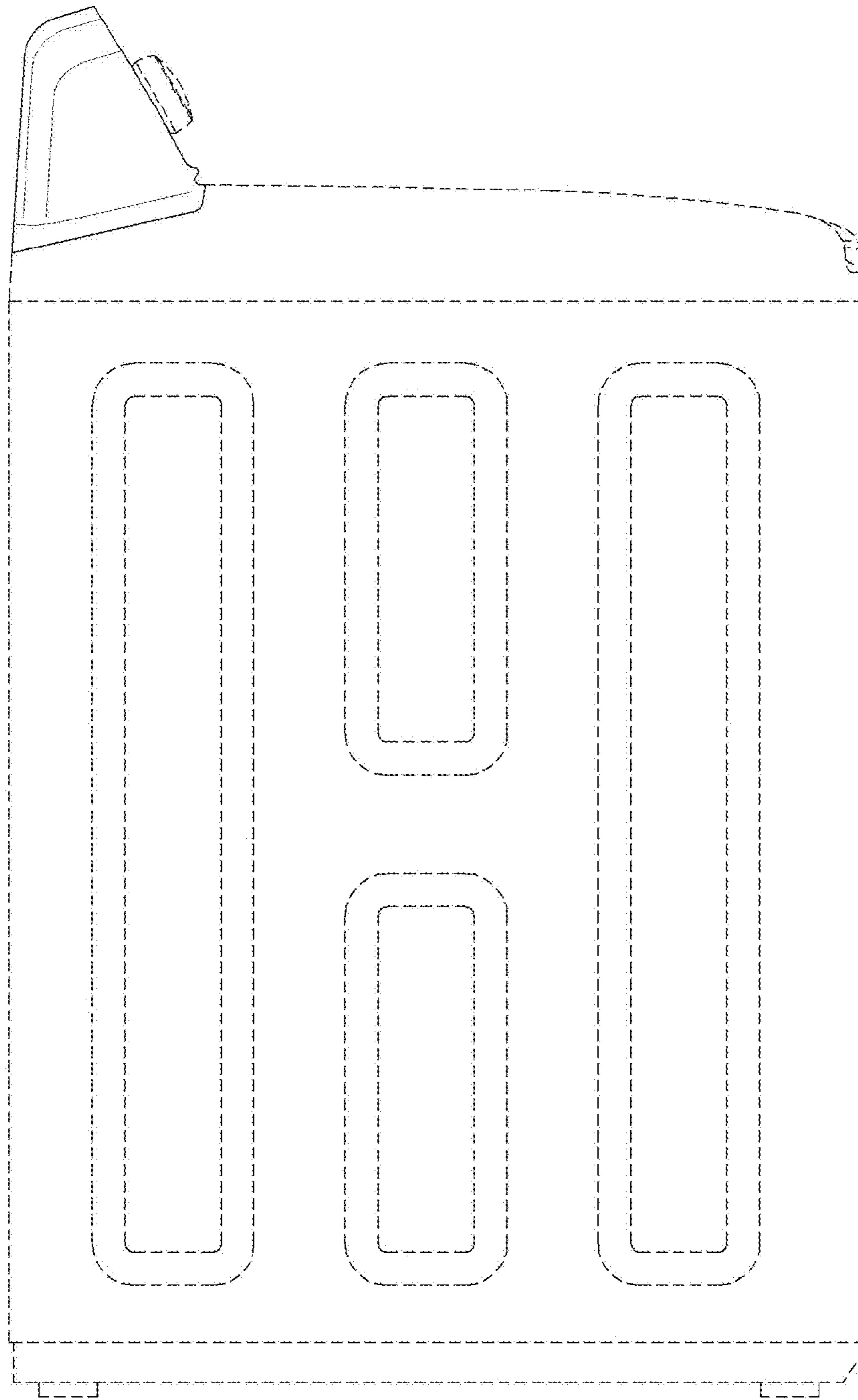


FIG. 5

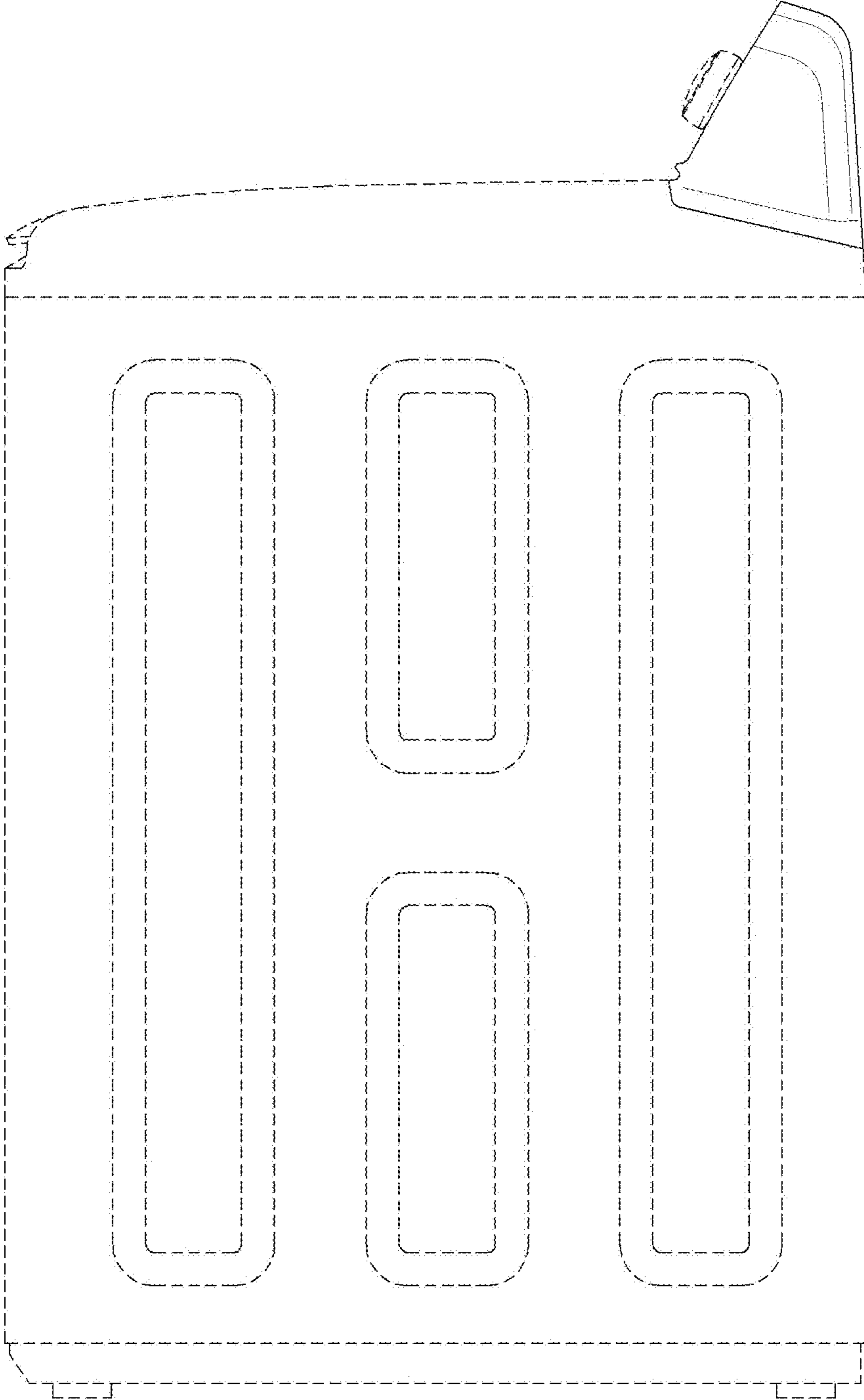


FIG. 6

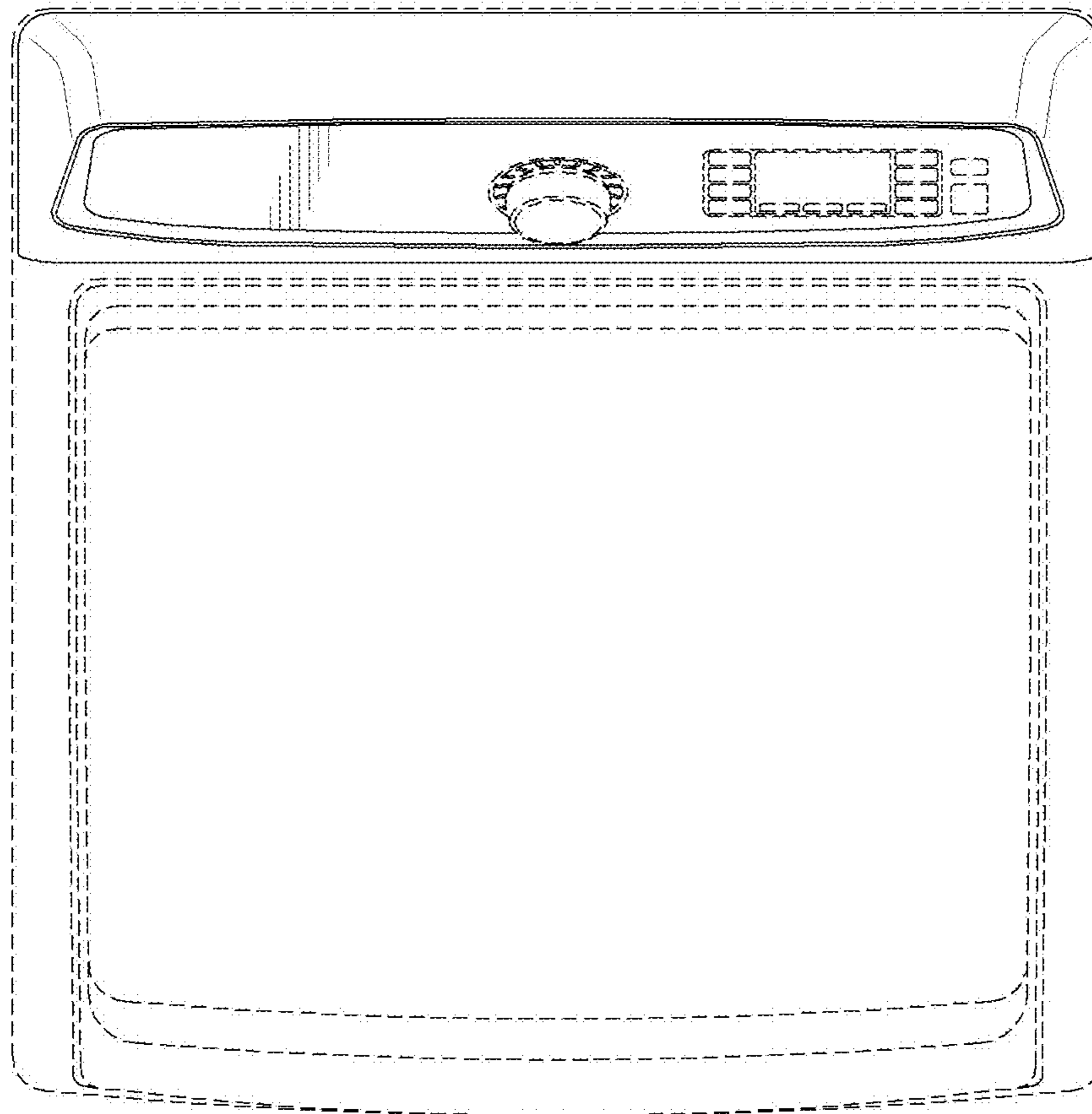


FIG. 7

