



US00D699906S

(12) **United States Design Patent**
Choi et al.

(10) **Patent No.:** **US D699,906 S**

(45) **Date of Patent:** **** Feb. 18, 2014**

(54) **CLOTHES DRYER**

(71) Applicant: **Samsung Electronics Co., Ltd.**,
Suwon-Si (KR)

(72) Inventors: **Hyoungsub Choi**, Seoul (KR); **Tae Hyoung Cho**, Seoul (KR); **Kisang Yoon**, Daejeon-si (KR); **JungHoon Hwang**, Yongin-si (KR); **Jaewon Choi**, Seoul (KR)

(73) Assignee: **Samsung Electronics Co., Ltd.**, Gyeonggi-do (KR)

(**) Term: **14 Years**

(21) Appl. No.: **29/457,959**

(22) Filed: **Jun. 14, 2013**

(30) **Foreign Application Priority Data**

Dec. 17, 2012 (KR) 30-2012-0060866

(51) **LOC (10) Cl.** **15-05**

(52) **U.S. Cl.**
USPC **D32/25**

(58) **Field of Classification Search**
USPC D32/1, 5-6, 8, 10, 25; 68/3 R, 5 R,
68/12.01, 12.07, 12.08, 212; 34/87-88,
34/523-524

See application file for complete search history.

(56) **References Cited**

U.S. PATENT DOCUMENTS

D297,059 S * 8/1988 Matsumoto et al. D32/8
D479,373 S * 9/2003 Silva D32/25
D481,499 S * 10/2003 Moreira da Silva D32/25
D585,165 S * 1/2009 Kim et al. D32/6
D589,215 S * 3/2009 Cho et al. D32/6

D618,865 S * 6/2010 Cline et al. D32/6
D619,313 S * 7/2010 Cline et al. D32/25
D619,314 S * 7/2010 Bixby et al. D32/25
D620,212 S * 7/2010 Bixby et al. D32/25
D627,529 S * 11/2010 Jeon et al. D32/6
D630,807 S * 1/2011 Song et al. D32/6
D633,262 S * 2/2011 Jeon et al. D32/6
D648,909 S * 11/2011 Bhattacharya D32/25
D649,722 S * 11/2011 Chung et al. D32/6
D651,778 S * 1/2012 Miller et al. D32/25
D689,655 S * 9/2013 Chung et al. D32/25
D690,066 S * 9/2013 Chung et al. D32/25

* cited by examiner

Primary Examiner — T. Chase Nelson

Assistant Examiner — Kathleen M Sims

(74) *Attorney, Agent, or Firm* — Harness, Dickey & Pierce, P.L.C.

(57) **CLAIM**

The ornamental design for a clothes dryer, as shown and described.

DESCRIPTION

FIG. 1 is the front/right-side/top perspective view of a clothes dryer showing our new design;

FIG. 2 is the front elevational view thereof;

FIG. 3 is the rear elevational view thereof;

FIG. 4 is the left-side elevational view thereof;

FIG. 5 is the right-side elevational view thereof;

FIG. 6 is a top plan view thereof; and,

FIG. 7 is the bottom plan view thereof.

The surface treatment of the clothes dryer shown in the figures forms no part of the claimed design, a clothes dryer according to the claimed design may have any surface treatment.

The broken lines shown in the drawings represent unclaimed portions of clothes dryer.

1 Claim, 7 Drawing Sheets

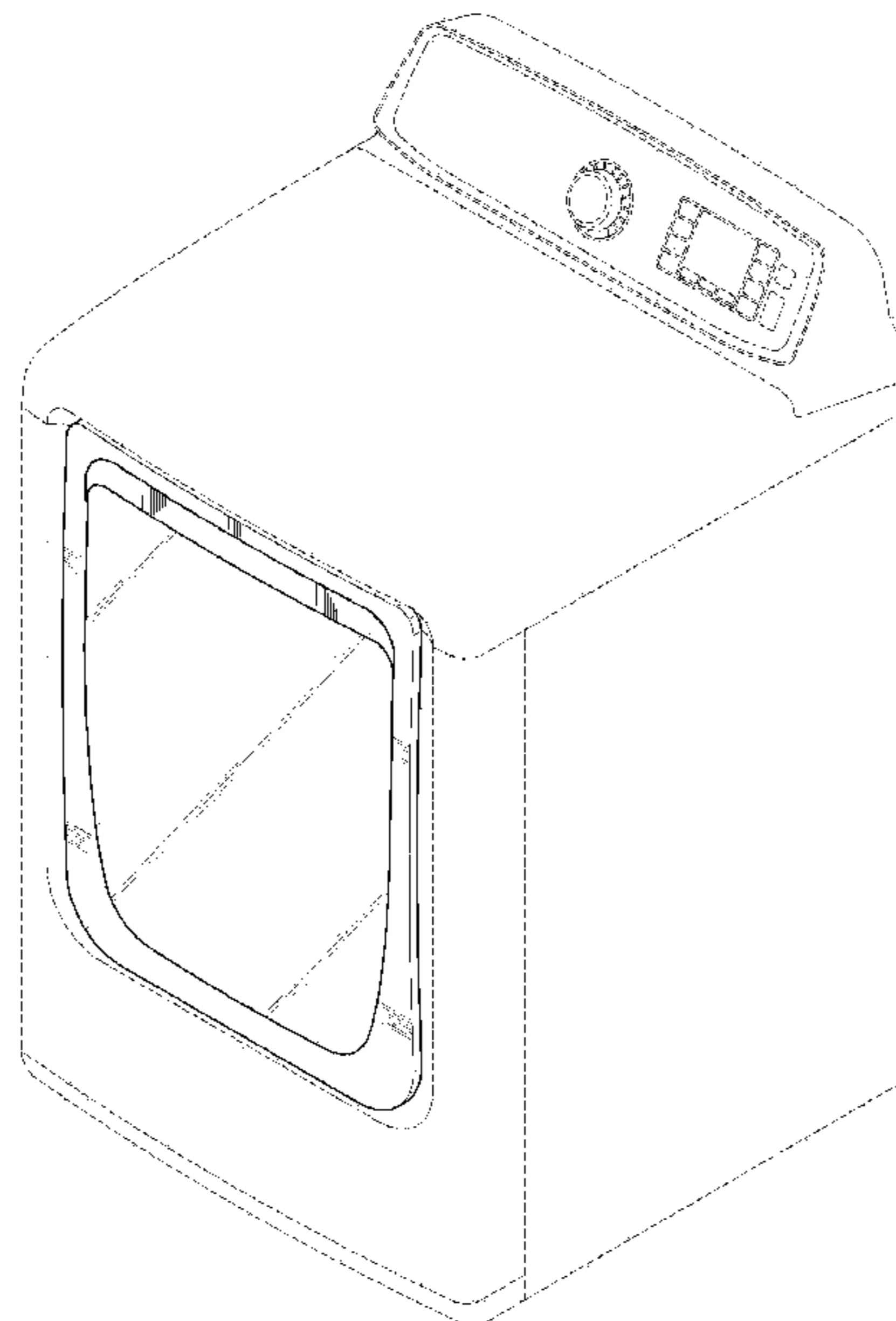


FIG. 1

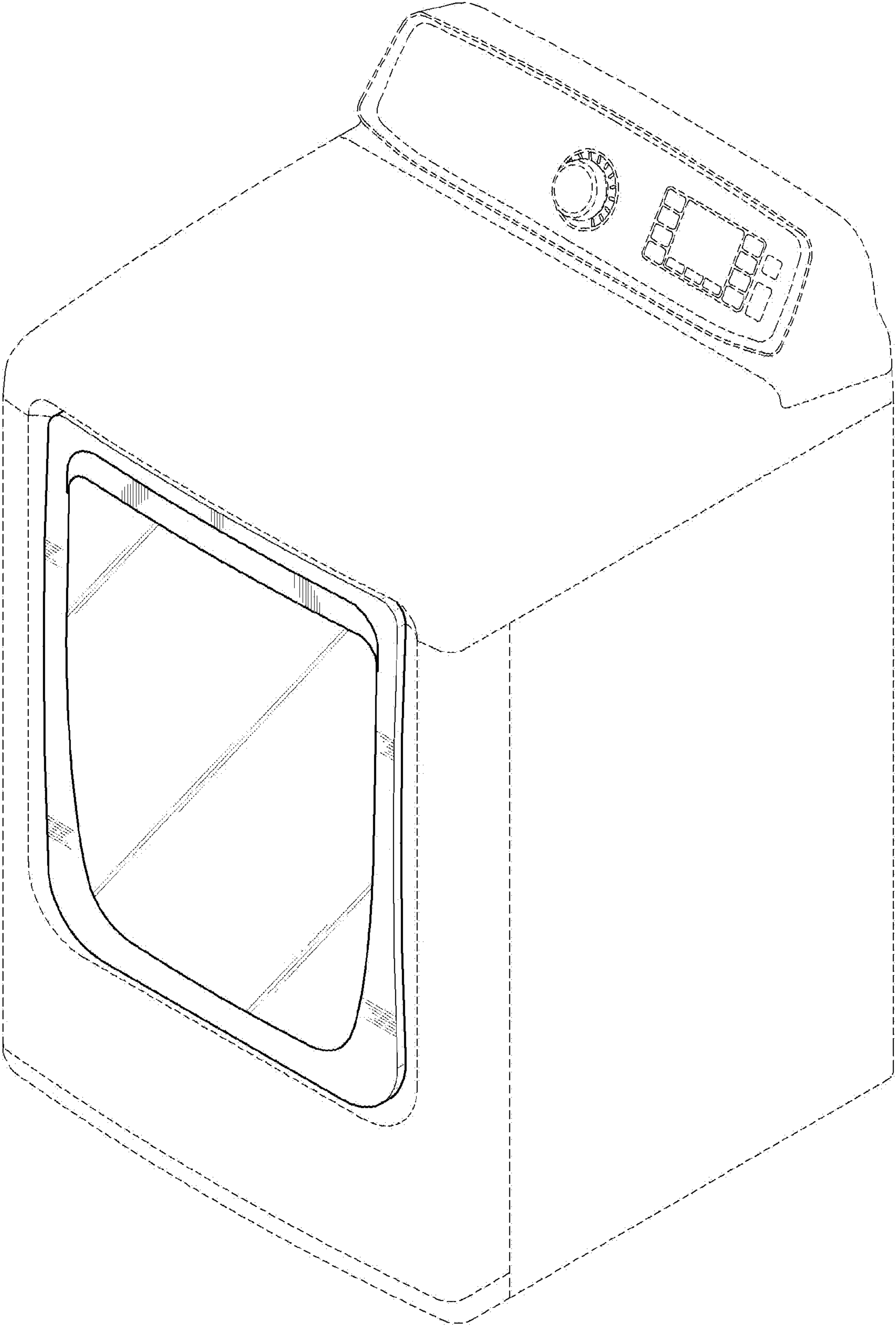


FIG. 2

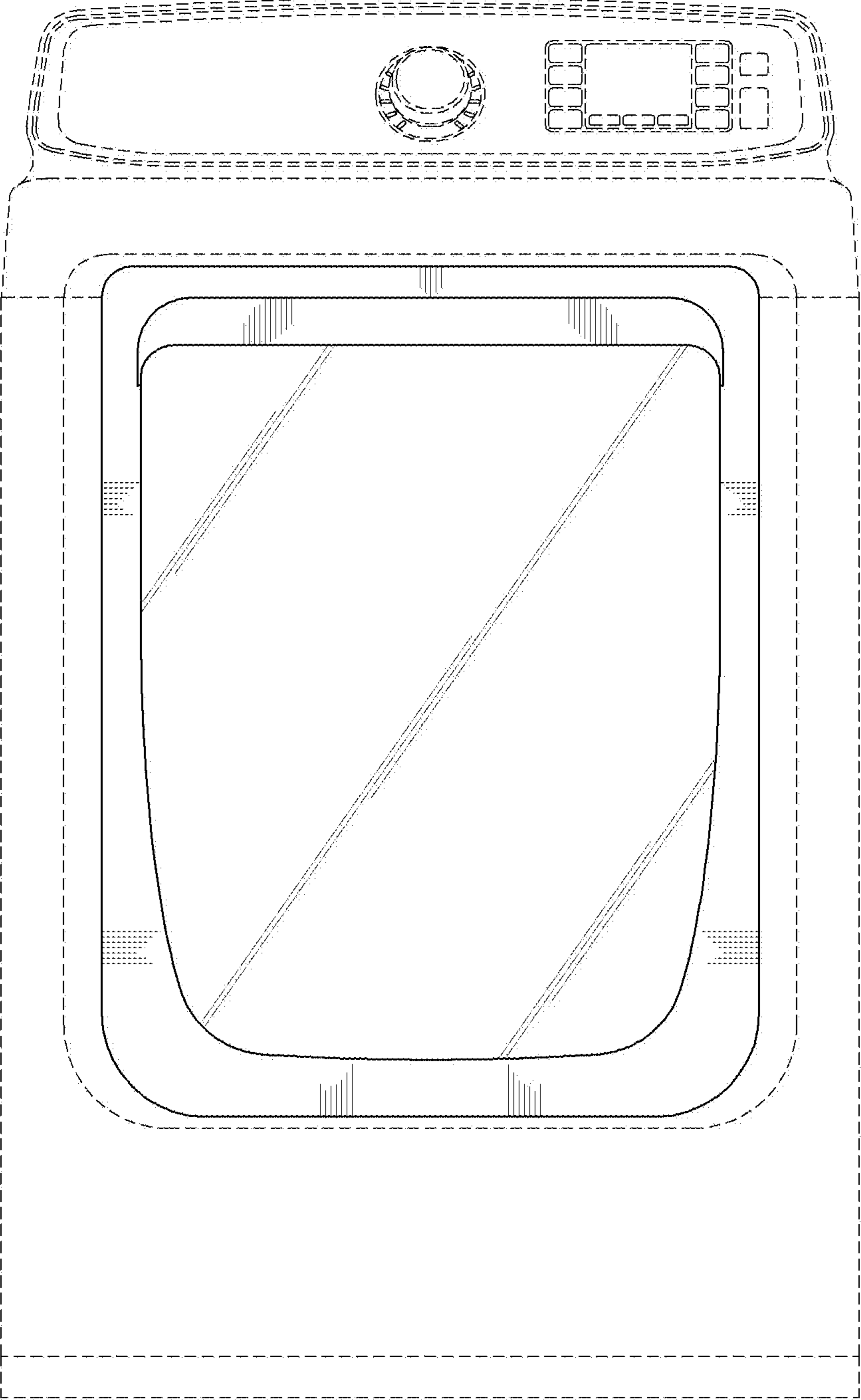


FIG. 3



FIG. 4

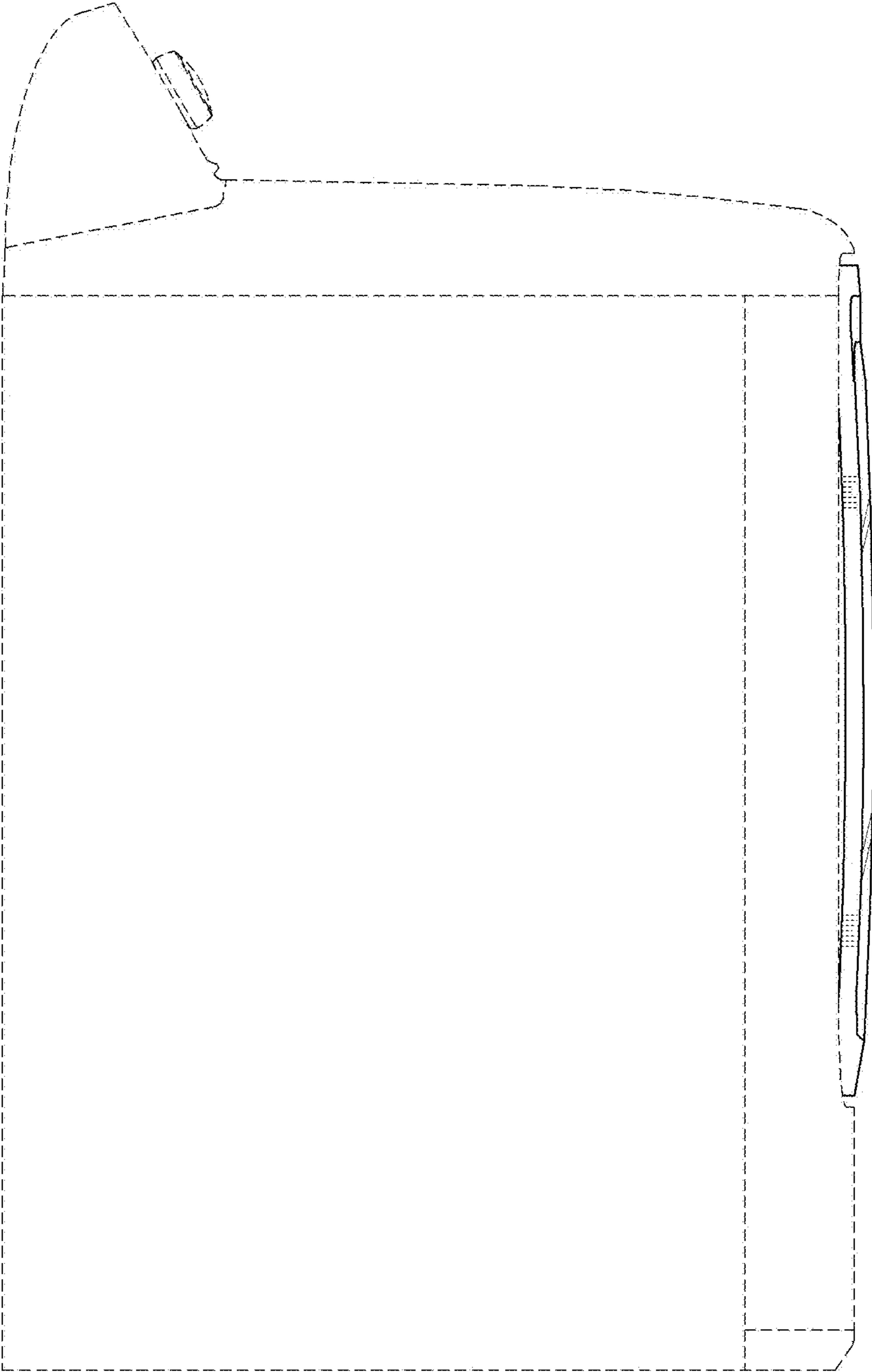


FIG. 5

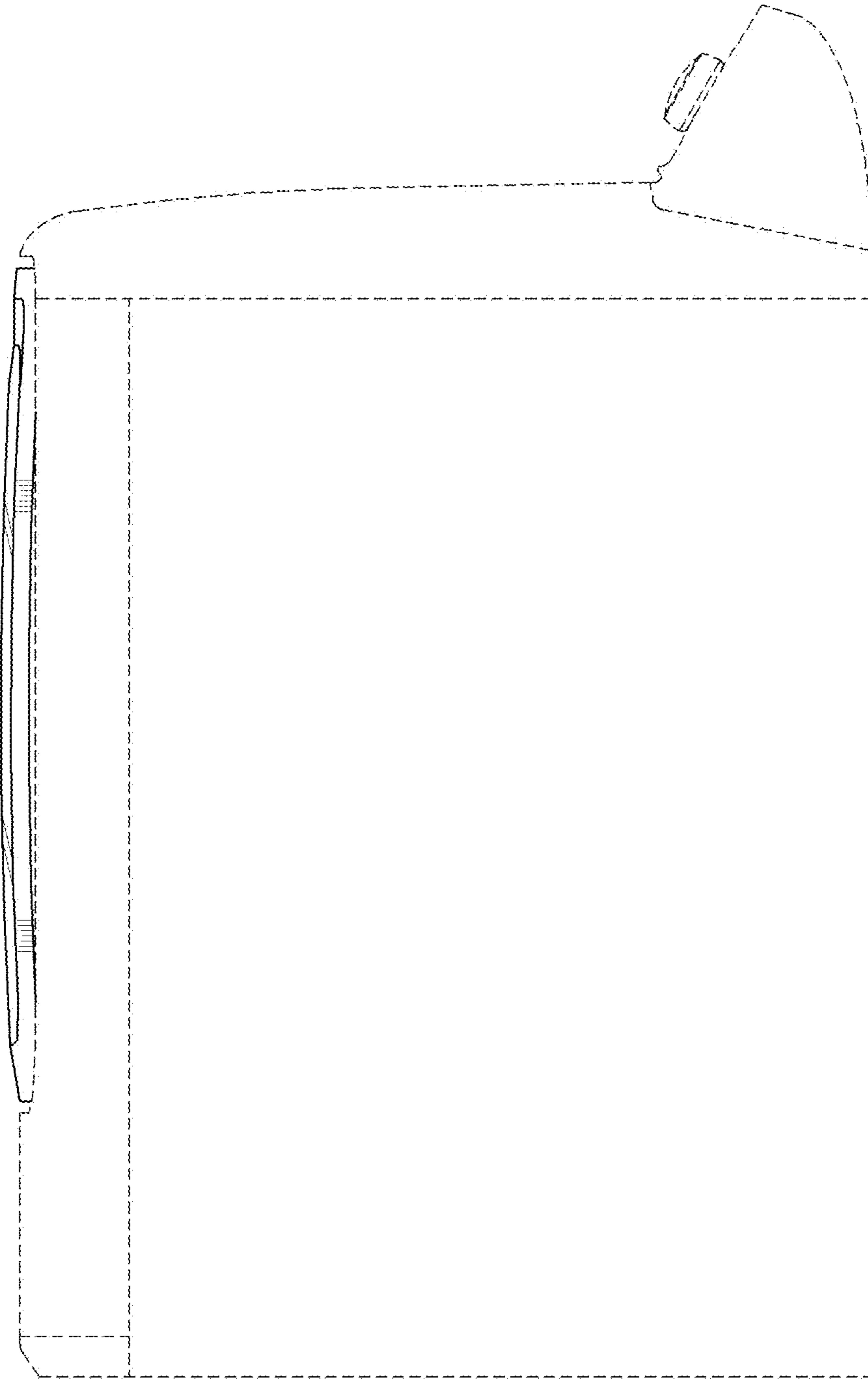


FIG. 6

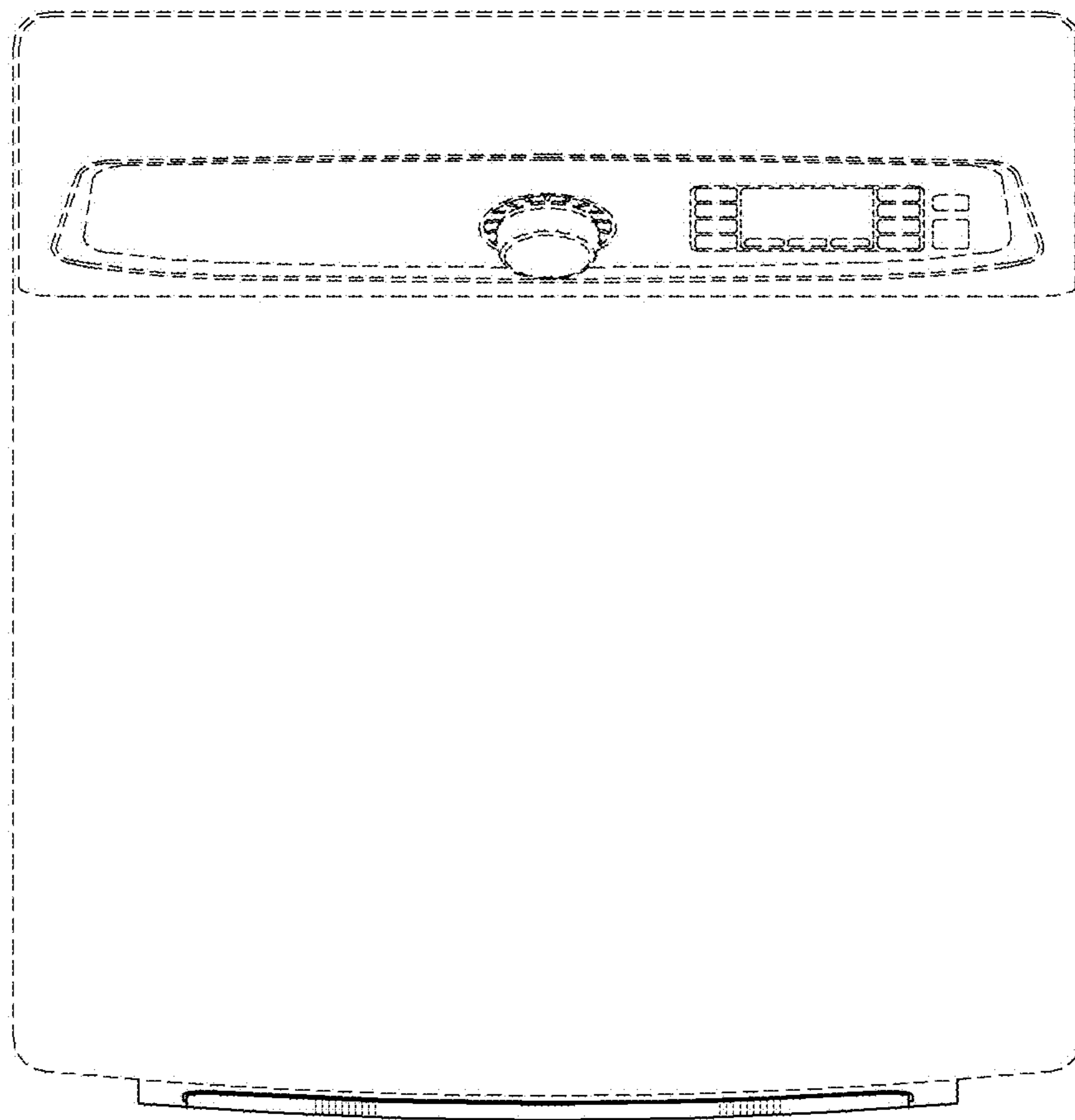


FIG. 7

