

US00D699905S

(12) **United States Design Patent**
Yeol et al.

(10) **Patent No.:** **US D699,905 S**
(45) **Date of Patent:** **** Feb. 18, 2014**

(54) **FRAME FOR WASHING MACHINE**

(71) Applicant: **Samsung Electronics Co., Ltd.**,
Suwon-si (KR)

(72) Inventors: **Lee Hong Yeol**, Yongin-si (KR); **Chun Kwang Min**, Seoul (KR); **Choi Jungsang**, Hwaseong-si (KR); **Sung Jong Hun**, Suwon-Si (KR)

(73) Assignee: **Samsung Electronics Co., Ltd.**,
Suwon-Si (KR)

(**) Term: **14 Years**

(21) Appl. No.: **29/445,348**

(22) Filed: **Feb. 11, 2013**

(30) **Foreign Application Priority Data**

Sep. 28, 2012 (KR) 30-2012-0046881

(51) **LOC (10) Cl.** **15-05**

(52) **U.S. Cl.**
USPC **D32/25**

(58) **Field of Classification Search**
USPC D32/1, 5-6, 8, 10, 25; 68/3 R, 5 R,
68/12.01, 12.07, 12.08, 212; 34/57-58,
34/523-524
See application file for complete search history.

(56) **References Cited**

U.S. PATENT DOCUMENTS

D465,308 S * 11/2002 Resuello et al. D32/6
D517,254 S * 3/2006 Geyer D32/5
D517,257 S * 3/2006 Kim et al. D32/6
D617,960 S * 6/2010 Bohm et al. D32/6

D622,916 S * 8/2010 Lee D32/6
D642,752 S * 8/2011 Kim D32/6
D642,753 S * 8/2011 Ha D32/6
8,056,172 B2 * 11/2011 Schneider et al. 8/159
D653,006 S * 1/2012 Takahashi D32/6
8,112,904 B2 * 2/2012 Kono et al. 34/595
D658,340 S * 4/2012 Jeon et al. D32/6
D682,492 S * 5/2013 Chung et al. D32/6
D683,088 S * 5/2013 Chung et al. D32/6
D688,427 S * 8/2013 Meda et al. D32/6
2011/0227462 A1 * 9/2011 Bohm et al. 312/204
2013/0014546 A1 * 1/2013 Kobayashi et al. 68/212

* cited by examiner

Primary Examiner — T. Chase Nelson

Assistant Examiner — Kathleen M Sims

(74) *Attorney, Agent, or Firm* — Ladas & Parry LLP

(57) **CLAIM**

We claim the ornamental design for a frame for washing machine, as shown and described.

DESCRIPTION

FIG. 1 is a front/right-side/top perspective view of a frame for washing machine showing our new design;
FIG. 2 is a front elevational view thereof;
FIG. 3 is a rear elevational view thereof;
FIG. 4 is a left-side elevational view thereof;
FIG. 5 is a right-side elevational view thereof;
FIG. 6 is a top plan view thereof; and,
FIG. 7 is a bottom plan view thereof.
Features shown in broken lines are disclaimed and form no part of the claimed design.
The chain lines (dot-dash-dot) shown in FIGS. 1 and 5 represent the side panel border forming no part of the claimed design.

1 Claim, 7 Drawing Sheets

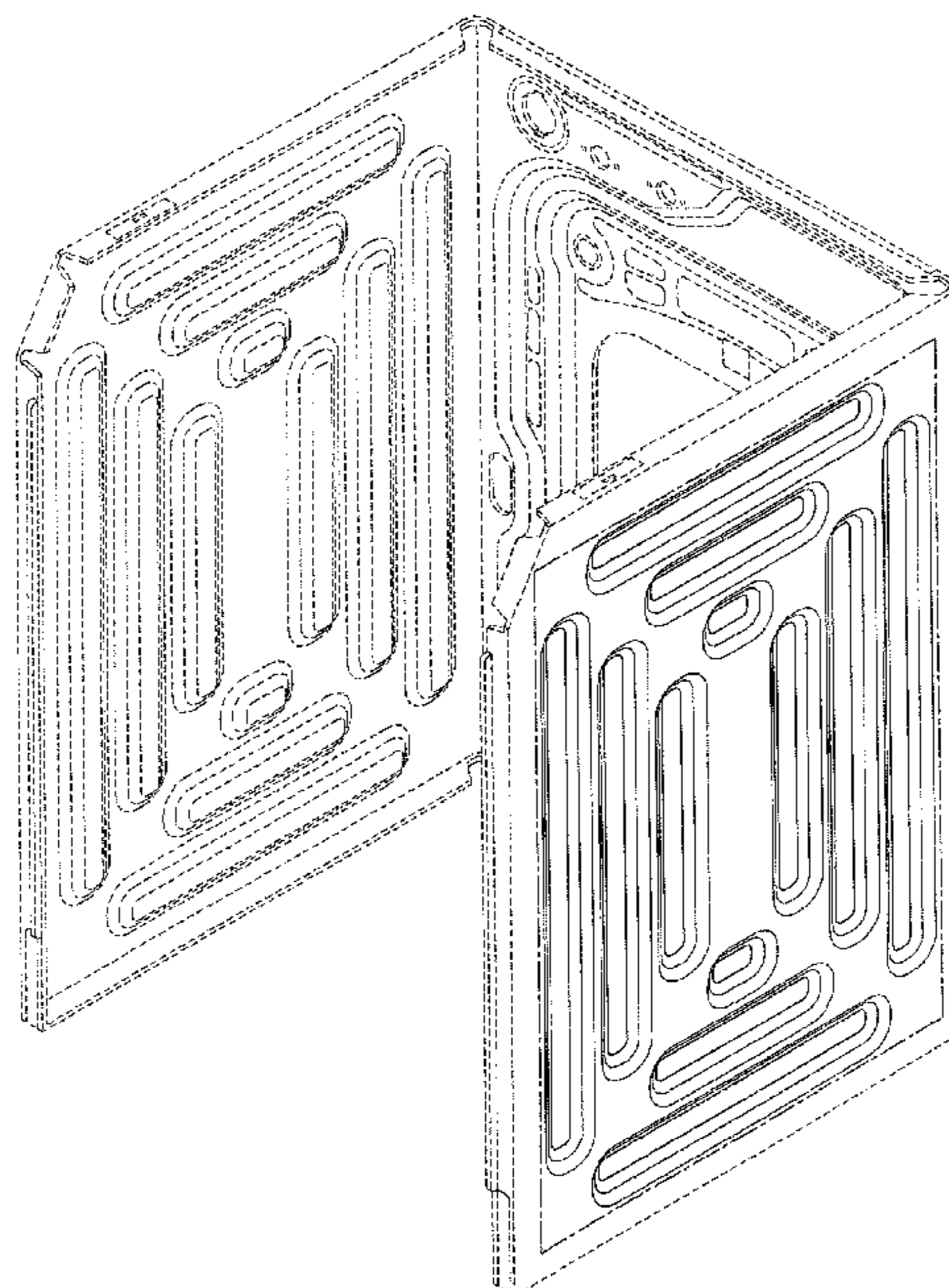


FIG. 1

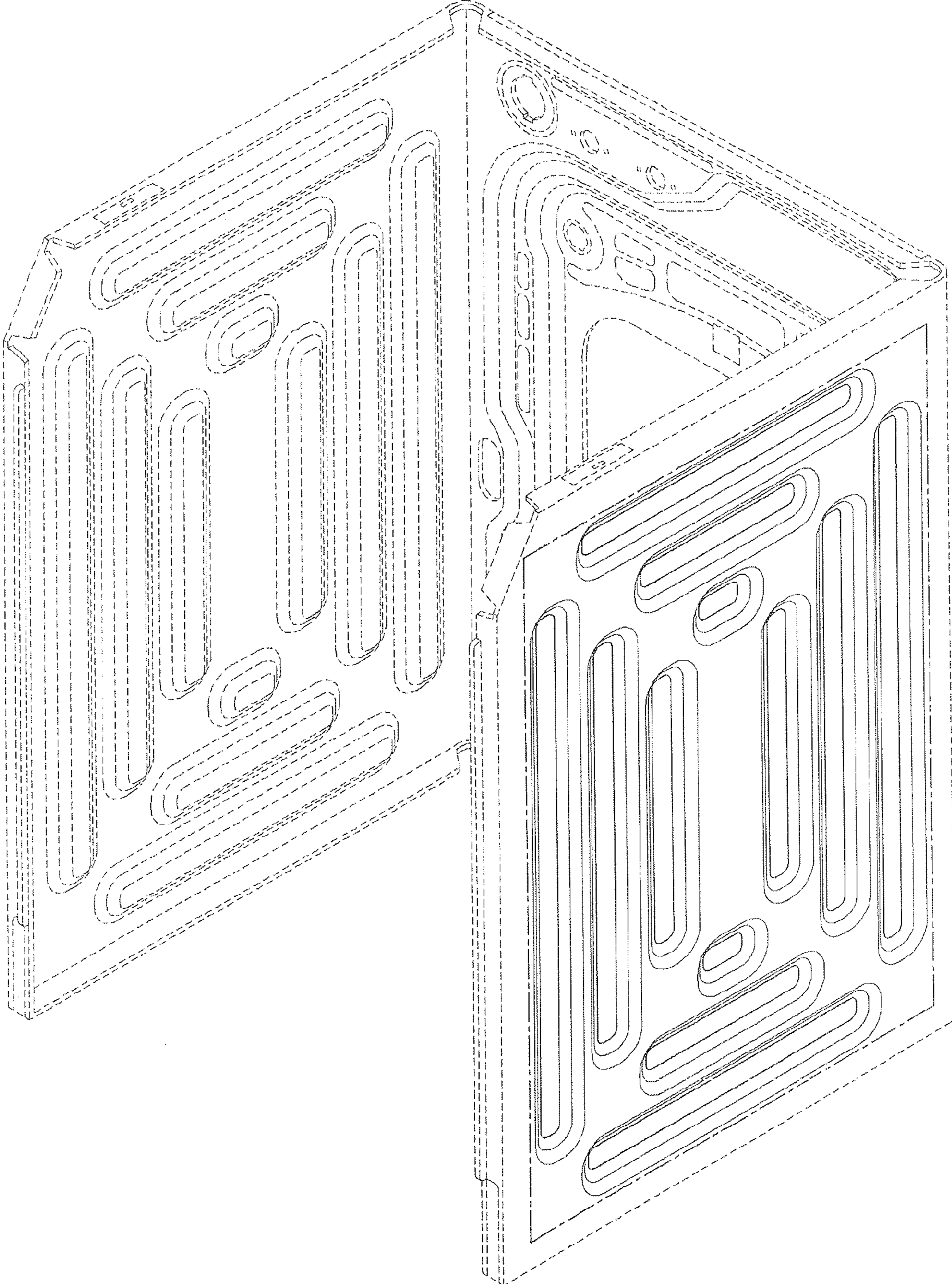


FIG. 2

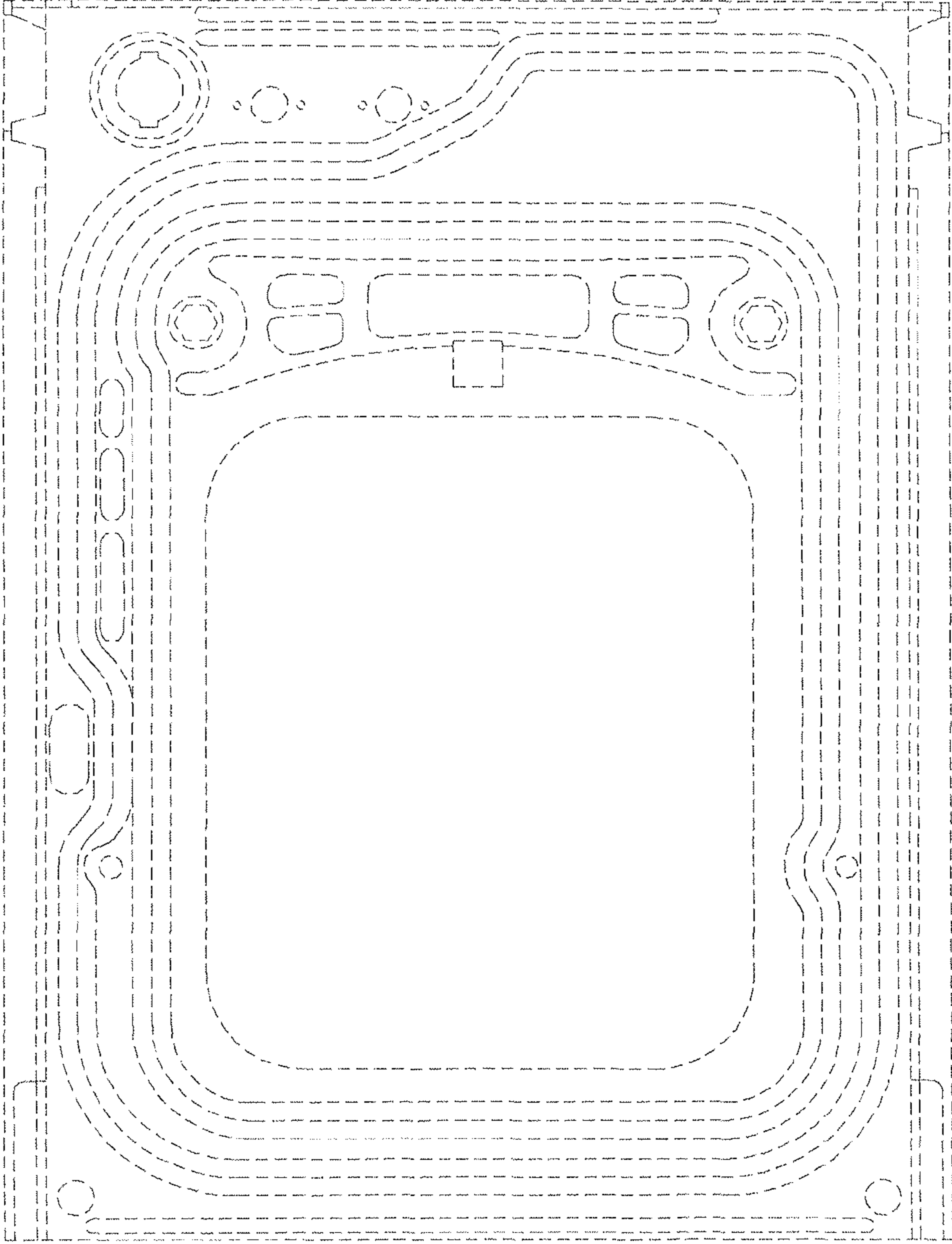


FIG. 3

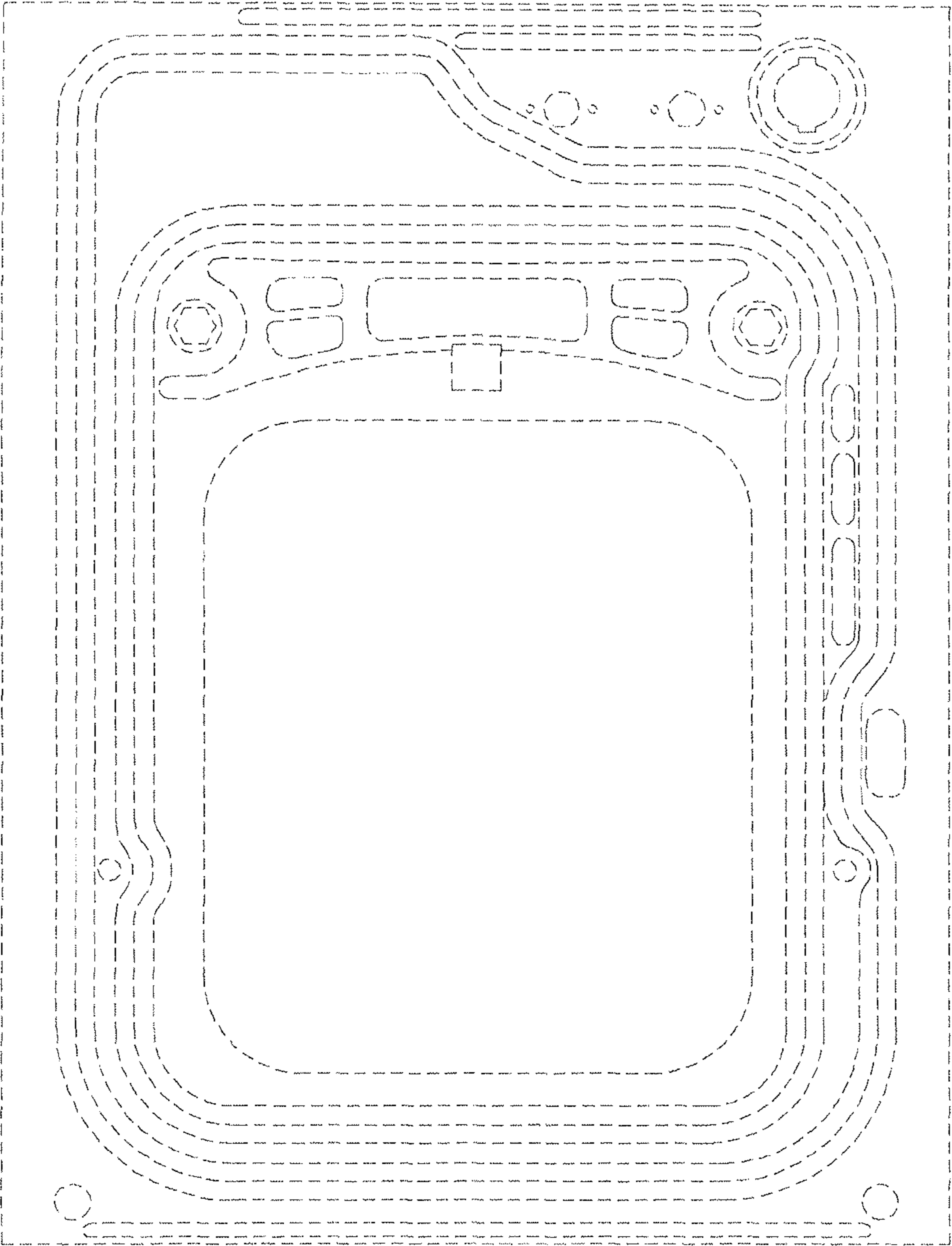


FIG. 4

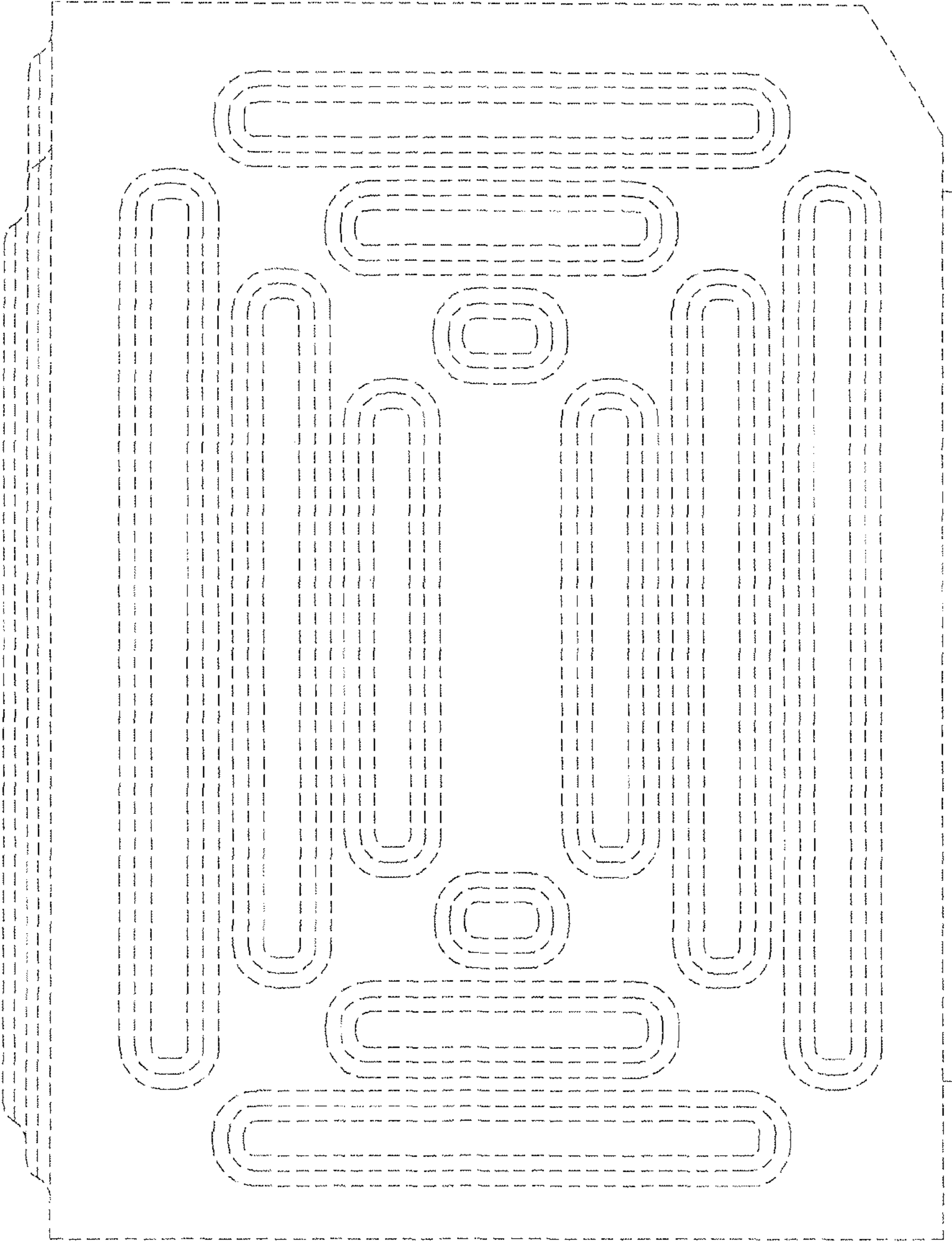


FIG. 5

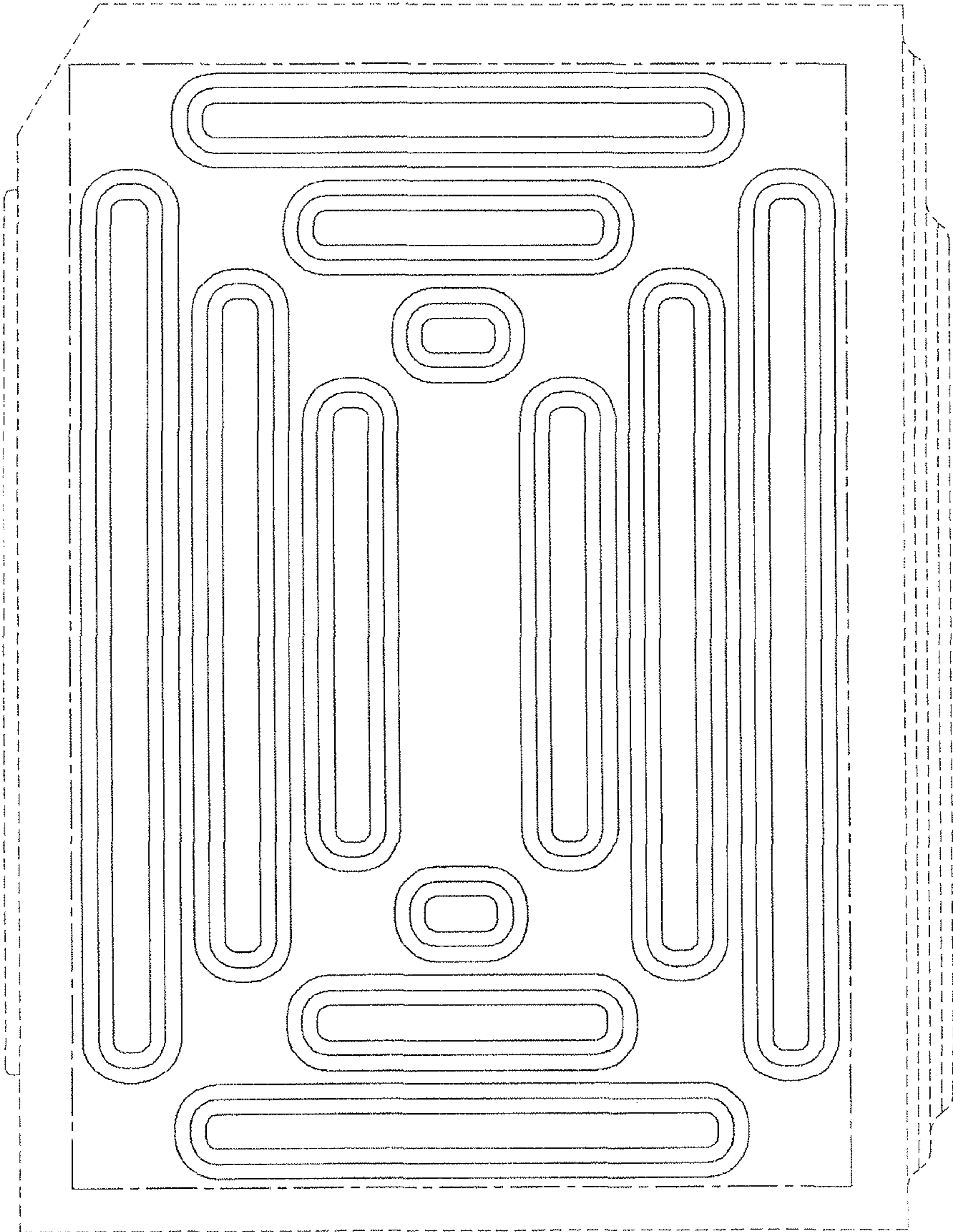


FIG. 6

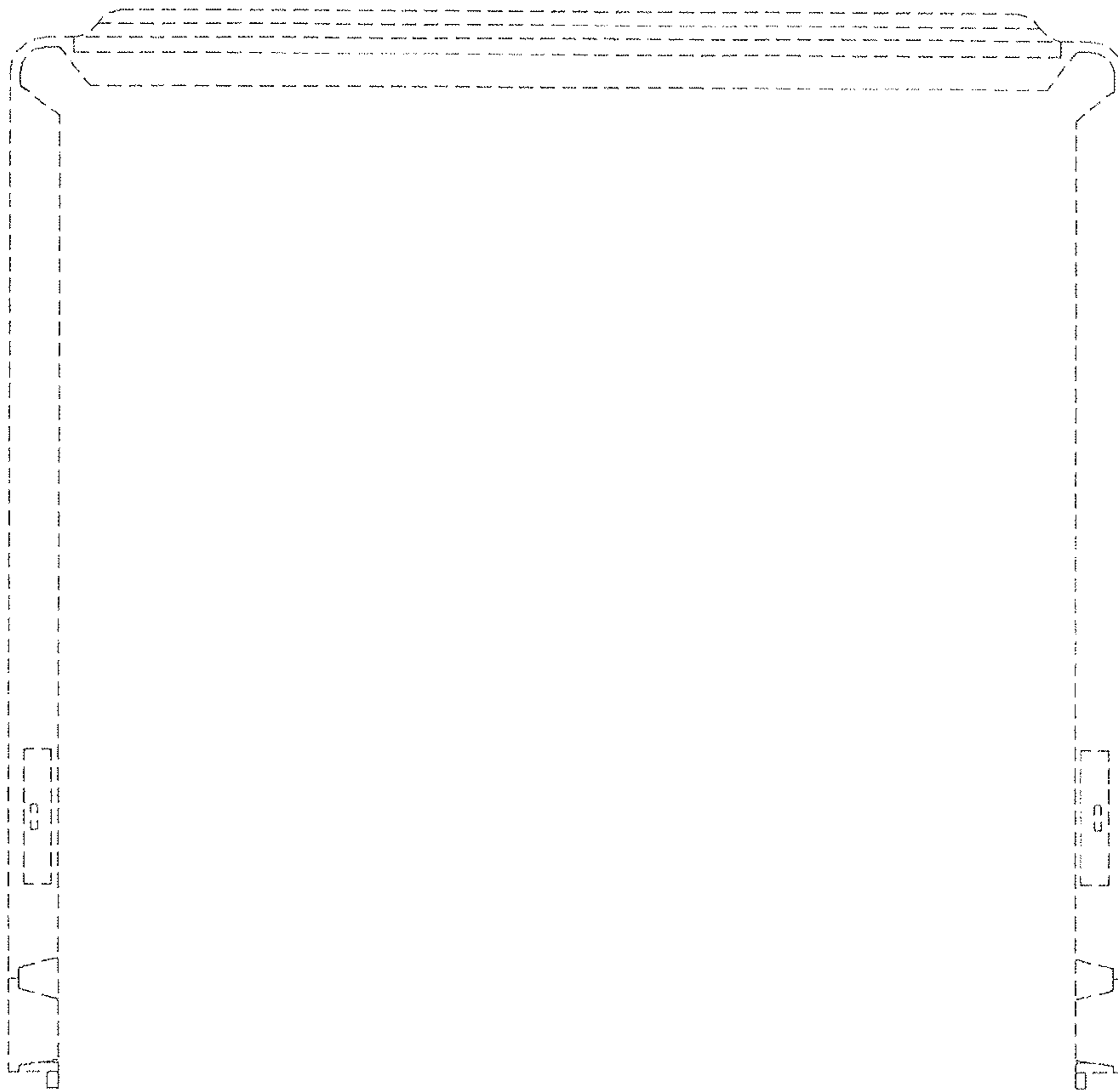


FIG. 7

