



US00D699901S

(12) **United States Design Patent**
McCallum et al.

(10) **Patent No.:** **US D699,901 S**

(45) **Date of Patent:** **** Feb. 18, 2014**

(54) **PET FOUNTAIN**

(71) Applicant: **American Valley Pet, Inc.**, Reno, NV
(US)

(72) Inventors: **Scott David McCallum**, Reno, NV
(US); **Bophet Inthivong**, Santa Ana, CA
(US)

(73) Assignee: **American Valley Pet**, Reno, NV (US)

(**) Term: **14 Years**

(21) Appl. No.: **29/454,203**

(22) Filed: **May 14, 2013**

(51) **LOC (10) Cl.** **30-03**

(52) **U.S. Cl.**
USPC **D30/132**

(58) **Field of Classification Search**
USPC D30/123, 129, 132, 121; 119/69.5, 673,
119/57.8, 68, 74, 61.57, 78-81, 61.4, 57.9,
119/51.5, 61.5, 72; 47/66.6, 39, 67, 83;
239/27, 280, 200, 281, 280.5, 273, 16,
239/17, 20, 22; 4/644, 627, 638; D7/558;
D11/144, 145, 153; D99/5, 24; 27/1;
D23/201, 292; 248/127, 132, 137, 138,
248/158, 910; 215/10; D6/353, 352, 484,
D6/360, 480, 488; 219/521; 329/442, 459
See application file for complete search history.

(56) **References Cited**

U.S. PATENT DOCUMENTS

1,644,660 A * 10/1927 Arkfeld 119/78
D207,166 S * 3/1967 Noble D30/132
D236,511 S * 8/1975 Bungler D30/131
4,034,715 A * 7/1977 Arner 119/51.5
4,192,256 A * 3/1980 Clugston 119/51.5
D259,068 S * 4/1981 Barkman D30/131
4,303,039 A * 12/1981 Thibault 119/52.1
4,494,483 A * 1/1985 Haiges 119/77

D278,169 S * 3/1985 Cargile, Jr. D30/124
D278,371 S * 4/1985 Strickland D30/132
D289,808 S * 5/1987 Gardner D30/122
D303,422 S * 9/1989 Pan D23/201
4,932,361 A * 6/1990 Deutsch et al. 119/51.12
4,934,311 A * 6/1990 Topelko 118/419
D313,374 S * 1/1991 Hartley D11/156
5,016,572 A * 5/1991 Weber et al. 119/52.1
D324,116 S * 2/1992 Skillius D30/132
D335,197 S * 4/1993 Strickland D30/132
D337,862 S * 7/1993 Leopold D30/121
D338,285 S * 8/1993 Chrisco D30/121
D338,287 S * 8/1993 Tonner D30/122
D350,841 S * 9/1994 VanSkiver D30/121
D402,428 S * 12/1998 Chrisco D30/121
D405,560 S * 2/1999 Chrisco D30/122
D414,370 S * 9/1999 Shy D7/304
D435,630 S * 12/2000 Sater et al. D23/201
D437,628 S * 2/2001 Sater et al. D23/201
D446,889 S * 8/2001 Bornhofen D30/132
D491,250 S * 6/2004 Raymond et al. D23/201
D665,870 S * 8/2012 Fang D23/201
D692,623 S * 10/2013 Lipscomb D30/132
2007/0095297 A1 * 5/2007 Boyd 119/74

* cited by examiner

Primary Examiner — Susan Moon Lee

(74) *Attorney, Agent, or Firm* — Watson Rounds; Marc D. Foodman

(57) **CLAIM**

The ornamental design for a pet fountain, thereof as shown and described.

DESCRIPTION

FIG. 1 is a perspective view of a pet fountain in accordance with the present design;

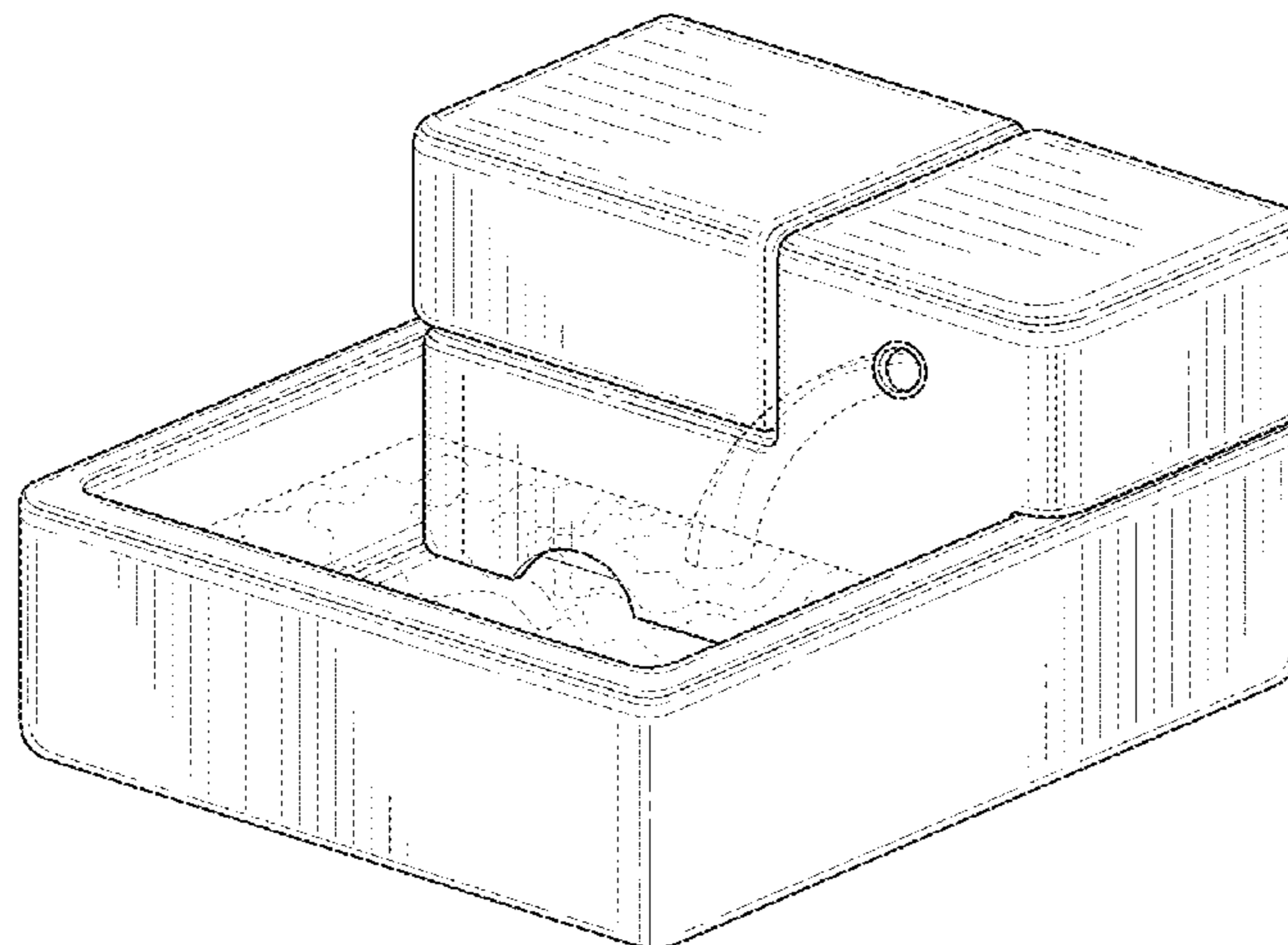
FIG. 2 is a front view thereof; and,

FIG. 3 is a back view thereof.

Portions depicted in broken lines are not claimed.

Any portions of the interior of the fountain which are not visible in the drawings form no part of the claimed design.

1 Claim, 2 Drawing Sheets



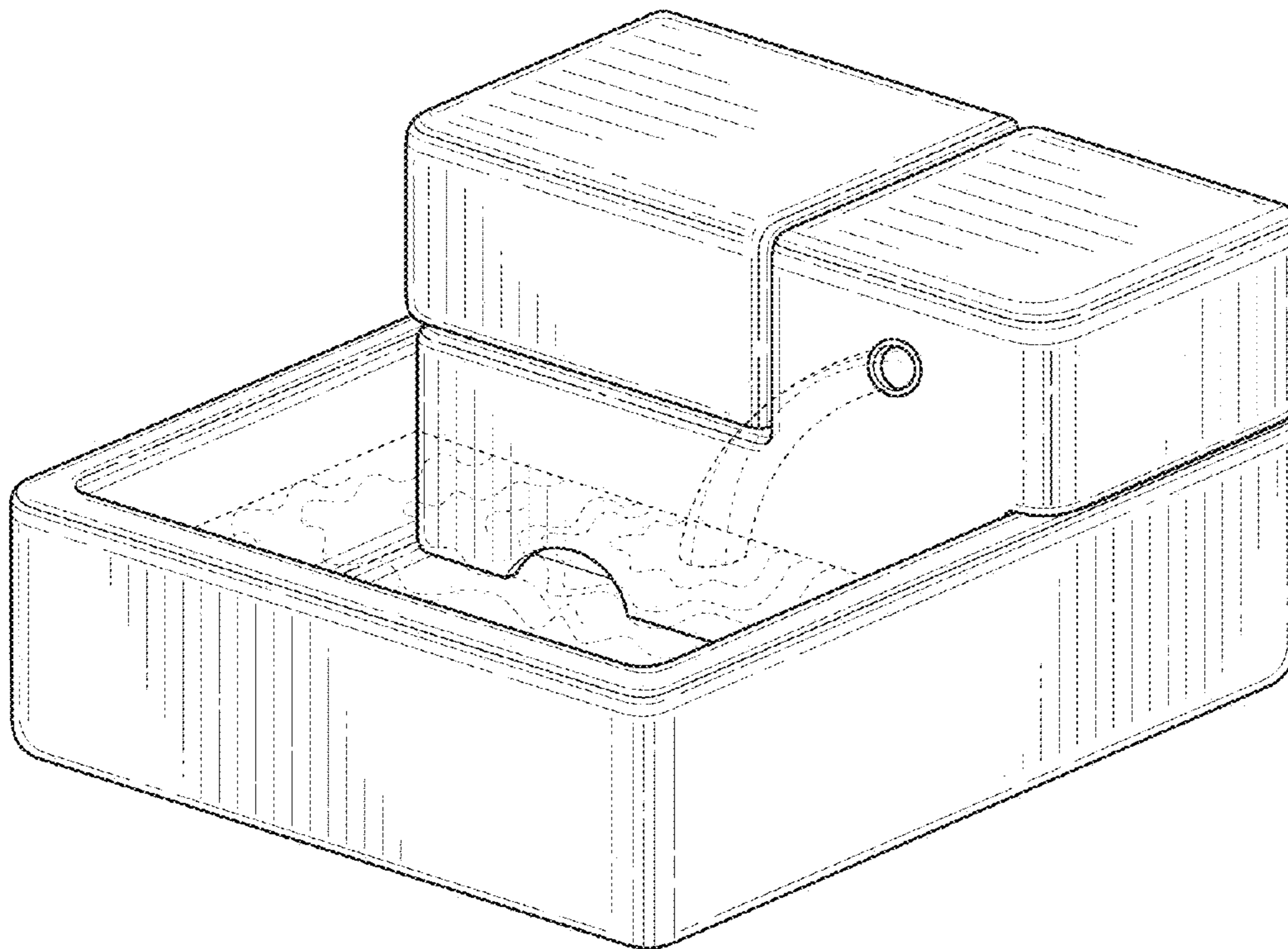


FIG. 1

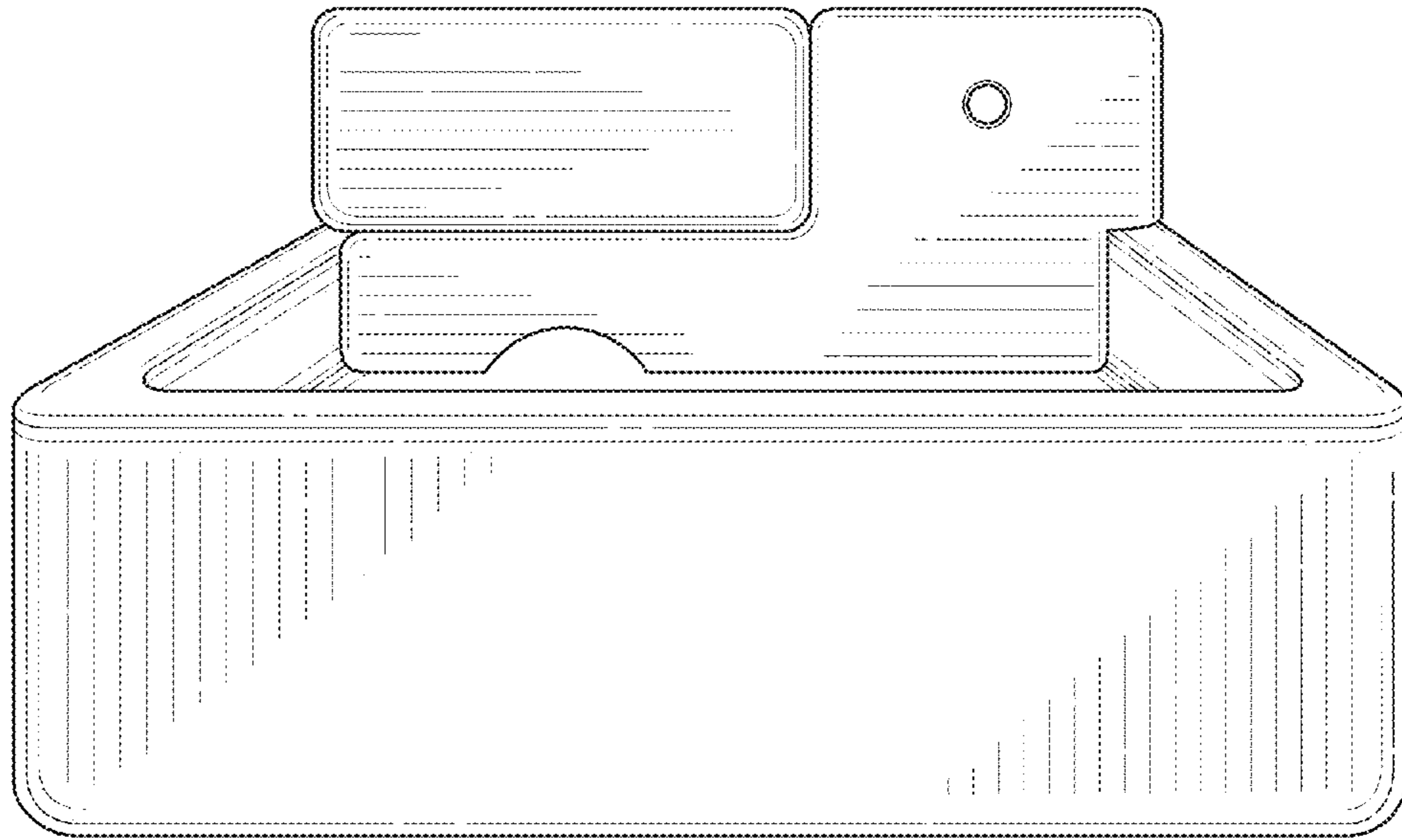


FIG. 2

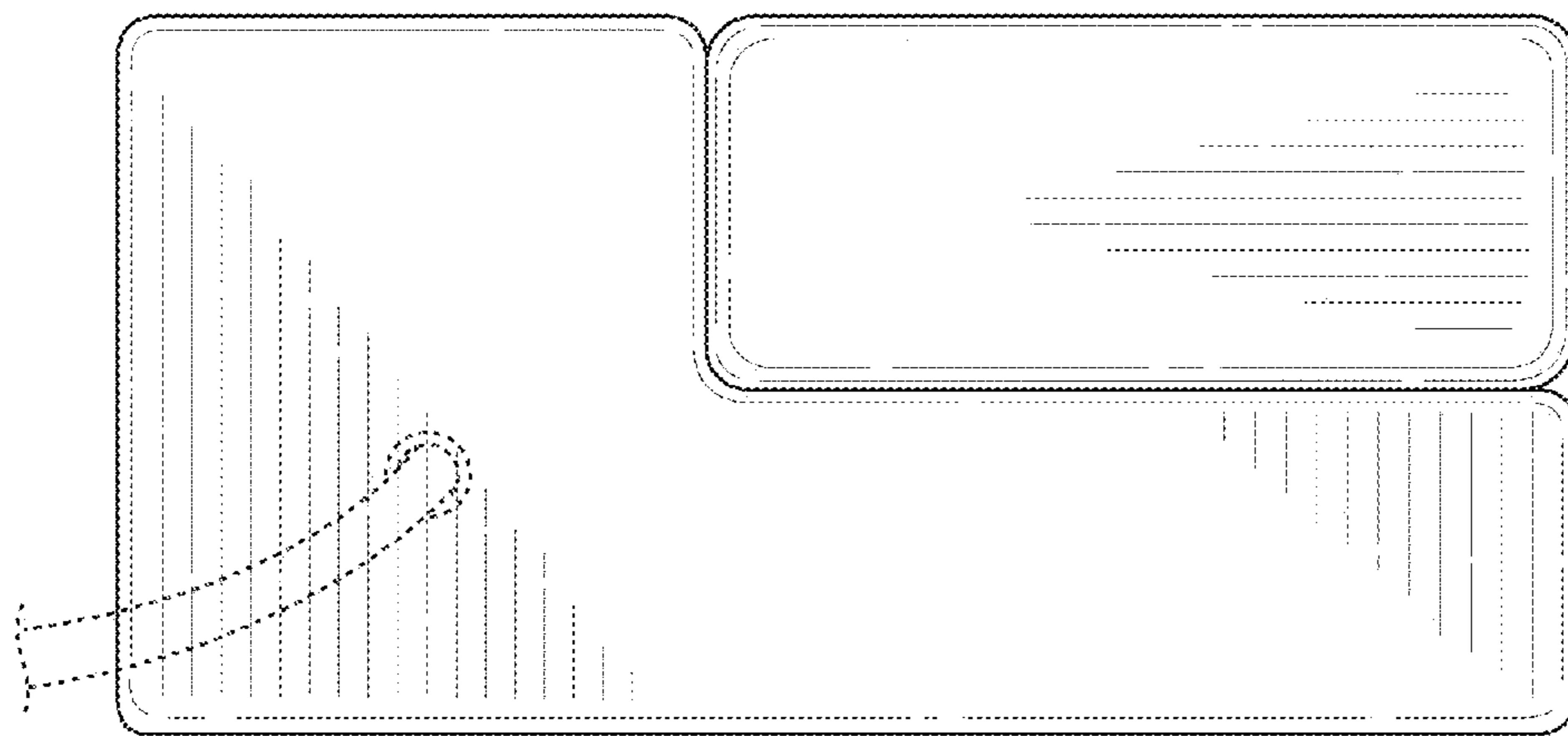


FIG. 3