



US00D699894S

(12) **United States Design Patent**
Arinsmier et al.

(10) **Patent No.:** **US D699,894 S**
(45) **Date of Patent:** **** Feb. 18, 2014**

(54) **COSMETIC COLLECTION**

- (71) Applicant: **The Procter & Gamble Company**,
Cincinnati, OH (US)
- (72) Inventors: **Keri Marsh Arinsmier**, Cincinnati, OH
(US); **Carolina Lavin-Fantastichini**,
Jersey City, NJ (US)
- (73) Assignee: **The Procter & Gamble Company**,
Cincinnati, OH (US)
- (**) Term: **14 Years**
- (21) Appl. No.: **29/438,382**
- (22) Filed: **Nov. 29, 2012**

Related U.S. Application Data

- (62) Division of application No. 29/366,312, filed on Jul.
22, 2010, now Pat. No. Des. 673,328.
- (51) **LOC (10) Cl.** **28-03**
- (52) **U.S. Cl.**
USPC **D28/76**
- (58) **Field of Classification Search**
USPC D28/76, 89, 85, 82, 88, 4, 7, 8, 77, 78,
D28/83, 84, 86, 91; 401/122; 132/218, 297,
132/318, 320; D9/502, 529, 418, 428, 503,
D9/697, 699; D4/114, 116
See application file for complete search history.

(56) **References Cited**

U.S. PATENT DOCUMENTS

- 1,608,449 A * 11/1926 Wendel 401/125
- 1,766,990 A * 6/1930 Freeman 132/318

(Continued)

OTHER PUBLICATIONS

Picture of A'Gensn Abundant Olive Series Sunscreen Set, www.
gnpd.com; published Nov. 20, 2009; 3 pages.

(Continued)

Primary Examiner — Kevin Rudzinski
(74) *Attorney, Agent, or Firm* — Charles R. Ware

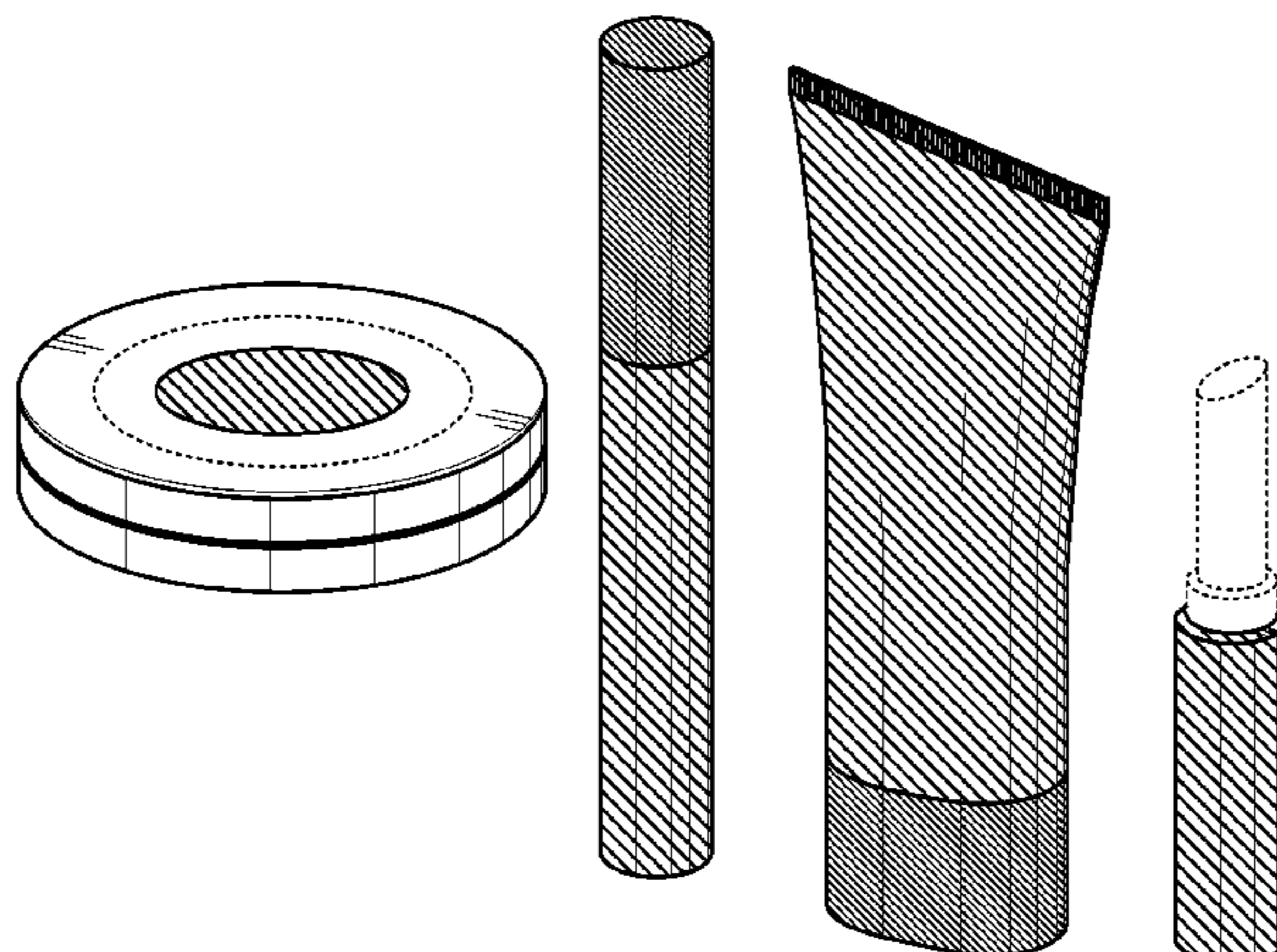
(57) **CLAIM**
The ornamental design for a cosmetic collection, as shown
and described.

DESCRIPTION

FIG. 1 is a perspective front view of another embodiment of a cosmetic collection, embodying the new design; FIG. 2 is a front view of the design shown in FIG. 1; FIG. 3 is a back view of the design shown in FIG. 1; FIG. 4 is a left side view of the design shown in FIG. 1; FIG. 5 is a right side view of the design shown in FIG. 1; FIG. 6 is a bottom view of the design shown in FIG. 1; and FIG. 7 is a top view of the design shown in FIG. 1. The two different areas (i.e., lighter and heavier densities) of diagonal line shading in these figures represent two different shades of the color green.

FIG. 8 is a perspective front view of another embodiment of a cosmetic collection, embodying the new design; FIG. 9 is a front view of the design shown in FIG. 8; FIG. 10 is a back view of the design shown in FIG. 8; FIG. 11 is a left side view of the design shown in FIG. 8; FIG. 12 is a right side view of the design shown in FIG. 8; FIG. 13 is a bottom view of the design shown in FIG. 8; and, FIG. 14 is a top view of the design shown in FIG. 8. The two different areas (i.e., lighter and heavier densities) of diagonal line shading in these figures represent two different shades of the color green. The broken lines shown in the figures illustrate environmental features and form no part of the claimed design.

1 Claim, 14 Drawing Sheets



(56)

References Cited

U.S. PATENT DOCUMENTS

- D117,276 S * 10/1939 Jung D28/89
D175,548 S * 9/1955 Kane D4/114
D188,397 S * 7/1960 Hulsh D4/114
3,235,128 A * 2/1966 Hansen 222/107
3,529,899 A * 9/1970 Gruska 401/121
D226,260 S * 2/1973 Hanamura D9/697
D262,094 S * 12/1981 Tiboldo D9/658
D279,828 S * 7/1985 Buchet D28/85
D316,221 S 4/1991 Dombroski
D319,178 S * 8/1991 Katada et al. D9/617
5,061,103 A * 10/1991 Walsh-Smith 401/122
5,086,793 A * 2/1992 Kingsford 132/218
D325,339 S * 4/1992 Jones D9/697
5,246,133 A * 9/1993 James 220/377
D349,449 S * 8/1994 Linner D9/699
D351,101 S * 10/1994 Linner D9/699
D352,133 S * 11/1994 Wacker D28/88
D353,539 S * 12/1994 Linner D9/447
5,373,940 A * 12/1994 Hillelson 206/385
D364,003 S * 11/1995 Benson D28/7
D364,006 S * 11/1995 Kamen D28/88
5,526,960 A * 6/1996 Breidenbach et al. 222/183
D373,219 S * 8/1996 Gavin D28/76
5,582,328 A 12/1996 Brown
5,586,694 A * 12/1996 Breidenbach et al. 222/183
D385,793 S * 11/1997 Marsal D9/503
D388,549 S * 12/1997 Mouyiaris et al. D28/82
D397,608 S * 9/1998 Fiore D9/697
D401,138 S * 11/1998 Rosen et al. D9/697
5,829,901 A * 11/1998 Brown et al. 401/87
5,836,319 A * 11/1998 Lombardi 132/287
D402,549 S * 12/1998 Nahum Albright D9/545
D408,591 S * 4/1999 Litton et al. D28/82
D412,661 S * 8/1999 Lavigne D9/690
5,941,254 A * 8/1999 Heler 132/297
5,970,989 A * 10/1999 Litton 132/218
D429,146 S * 8/2000 Thibiant et al. D9/697
D438,469 S * 3/2001 Breidenbach et al. D9/504
6,309,125 B1 * 10/2001 Peters 401/127
D454,780 S * 3/2002 Leboeuf et al. D9/697
D458,143 S * 6/2002 Ackerman D9/549
D459,212 S * 6/2002 Gobe D9/697
D462,260 S * 9/2002 Joubert D9/697
6,450,179 B2 * 9/2002 Bengis 132/297
D472,138 S * 3/2003 Brozell et al. D9/697
6,533,482 B1 * 3/2003 Byun 401/180
D474,961 S * 5/2003 Haruta D9/697
D505,627 S * 5/2005 Py et al. D9/697
D507,078 S * 7/2005 Greenfield D28/82
D518,369 S * 4/2006 Haber et al. D9/428
D523,350 S * 6/2006 Ohmoto et al. D9/690
D525,130 S * 7/2006 Bloc D9/503
7,101,107 B1 * 9/2006 Byun 401/286
D530,860 S * 10/2006 Funkhouser et al. D28/82
D540,987 S * 4/2007 Nobuto et al. D28/89
D542,978 S * 5/2007 Bortolotti D28/76
7,219,801 B2 * 5/2007 Christian 206/581
D546,196 S * 7/2007 Py et al. D9/695
D547,672 S * 7/2007 Penfold et al. D9/697
D550,567 S * 9/2007 Soderstrom D9/699
D551,088 S * 9/2007 Dittmer et al. D9/697
D552,485 S * 10/2007 Grabiner et al. D9/697
D554,803 S * 11/2007 Parker D28/76
D557,613 S * 12/2007 Huang D9/697
D559,703 S 1/2008 Egawa
D570,708 S * 6/2008 Kerman D9/697
D572,604 S * 7/2008 Garofano et al. D9/718
D573,888 S * 7/2008 Pascalie D9/504
D580,597 S * 11/2008 Mascotte et al. D28/76
D581,597 S * 11/2008 Martinez D28/82
7,465,114 B2 * 12/2008 Kress et al. 401/129
D584,608 S * 1/2009 McBride D9/418
D587,128 S * 2/2009 Swanson et al. D9/698
D592,956 S * 5/2009 Thiellier D9/504
D601,898 S * 10/2009 Ikeda et al. D9/503
D601,900 S * 10/2009 Phemster D9/521
D604,050 S * 11/2009 Hale et al. D4/116
D611,823 S * 3/2010 Sindler D9/529
D617,050 S * 6/2010 Lou D28/76
D626,289 S * 10/2010 Lee D28/82
D633,653 S * 3/2011 Lee D28/76
D636,940 S * 4/2011 Acierto et al. D28/76
D642,333 S * 7/2011 Praster D28/82
D643,307 S * 8/2011 Arinsmier et al. D9/722
D645,749 S * 9/2011 Lee D9/504
8,021,065 B2 * 9/2011 Lou 401/129
D649,066 S * 11/2011 Arinsmier et al. D9/697
D659,908 S * 5/2012 Lin D28/76
D664,862 S * 8/2012 Smith et al. D9/695
2002/0185148 A1 * 12/2002 Bengis 132/297
2003/0000544 A1 * 1/2003 Byun 132/320
2005/0087207 A1 * 4/2005 Rousselet 132/318

OTHER PUBLICATIONS

- Picture of Alba Botanica Rainforest Acai Gentle Renewal Scrub, www.gnpd.com; published Aug. 3, 2009; 2 pages.
Picture of Almay Pure Blends Makeup SPF 20, www.gnpd.com; published Oct. 12, 2009; 2 pages.
Picture of Atrix Beauty Charge Whitening Hand Cream, www.gnpd.com; published Sep. 30, 2009; 1 page.
Picture of Bobbi Brown ColorOptions Creamy Color, www.gnpd.com; published Sep. 2001; 2 pages.
Picture of Bobbi Brown Lash Glamour, www.gnpd.com; published; May 2003; 1 page.
Picture of Clark's Botanicals Ultra Rich Lip Balm, www.gnpd.com; published Oct. 2007; 2 pages.
Picture of Conceal FX Camouflage Concealer, www.gnpd.com; published Aug. 14, 2009; 3 pages.
Picture of Cristian Lay Bio Salud, www.gnpd.com; published Nov. 4, 2009; 2 pages.
Picture of DeMillus Erva Doce Creme de Mãos (Anise Hand Cream), www.gnpd.com; published Jun. 3, 2009; 2 pages.
Picture of Dr Irena Eris Under Twenty Make-Up Cream, www.gnpd.com; published Nov. 14, 2007; 2 pages.
Picture of Flores & Vegetais Creme Facial Pepino (Cucumber Face Cream), www.gnpd.com; published Nov. 2009; 2 pages.
Picture of Gemey Maybelline Cil Definition Mascara Longueur Cil à Cil Waterproof (Waterproof Lengthening Mascara), www.gnpd.com; published Apr. 2008; 2 pages.
Picture of L'Oréal Cashmere Perfect Soft Powdercreme Makeup, www.gnpd.com; published Mar. 31, 2005; 2 pages.
Picture of Lumene Double Stay Mineral Makeup, www.gnpd.com; published Apr. 7, 2009; 1 page.
Picture of Maybelline Affinitone Perfecting & Protecting Foundation with vitamin E, www.gnpd.com. published Oct. 6, 2009; 2 pages.
Picture of Maybelline Instant Smooth Result Foundation, www.gnpd.com; published Dec. 4, 2006; 1 page.
Picture of Miss Sporty Studio Lash Eye Opening & Lash Sculpting Mascara, www.gnpd.com; published Jun. 2008; 2 pages.
Picture of Natura Faces Base Extra Leve FPS 8 (Extra-Soft Foundation SPF 8), www.gnpd.com; published Oct. 26, 2009; 2 pages.
Picture of Neutrogena 3-In-1 Concealer for Eyes, www.gnpd.com; published Apr. 2007; 3 pages.
Picture of Neutrogena Healthy Skin Glow Sheers Foundation, www.gnpd.com; Apr. 2007; 3 pages.
Picture of Neutrogena Norwegische Formel (Anti-Callosity Foot Creme), www.gnpd.com; published Aug. 2007; 2 pages.
Picture of Neutrogena Reaffirmante Corporal (Firming Body Moisturizer), www.gnpd.com; published May 2007; 2 pages.
Picture of No. 7 Essential Moisture Foundation SPF 12, www.gnpd.com; published Jun. 2006; 2 pages.
Picture of Only Acne Oil Control Facial Cleansing Foam, www.gnpd.com; published Sep. 10, 2009; 1 page.
Picture of Palmer's Olive Oil Formula Regenerating Conditioner, www.gnpd.com; published Mar. 2008; 2 pages.
Picture of Physicians Formula Lash-in-a-Tube Full Coverage Cream Mascara, www.gnpd.com; published Feb. 2004; 2 pages.

(56)

References Cited

OTHER PUBLICATIONS

Picture of Physicians Formula Organic Wear Fair to Light Tinted Moisturizer, www.gnpd.com; published Jan. 2008; 3 pages.

Picture of Purab Green Herbal Foam, www.gnpd.com; published May 5, 2009; 1 page.

Picture of Revlon ColorStay Mineral Mousse Foundation, www.gnpd.com; published Nov. 26, 2009; 1 page.

Picture of Revlon Colorstay Mineral Mousse Makeup, www.gnpd.com; published May 28, 2009; 2 pages.

Picture of Rimmel Stay Matte Clarifying Matte Foundation, www.gnpd.com; published Jan. 28, 2009; 2 pages.

Picture of Rimmel Stay Matte, www.gnpd.com; published Nov. 13, 2009; 2 pages.

Picture of Sahra Creme de Arnica com Mentol Arnica Cream with Menthol, www.gnpd.com; published Jun. 2005; 2 pages.

Picture of Universo Garden Angels Gel Revitalizante para Piernas Cansadas (Revitalizing Gel for Tired Legs), www.gnpd.com; published Nov. 6, 2009; 1 page.

Picture of Victoria's Secret Beauty Rush Mascara, www.gnpd.com; published Dec. 2008; 2 pages.

* cited by examiner

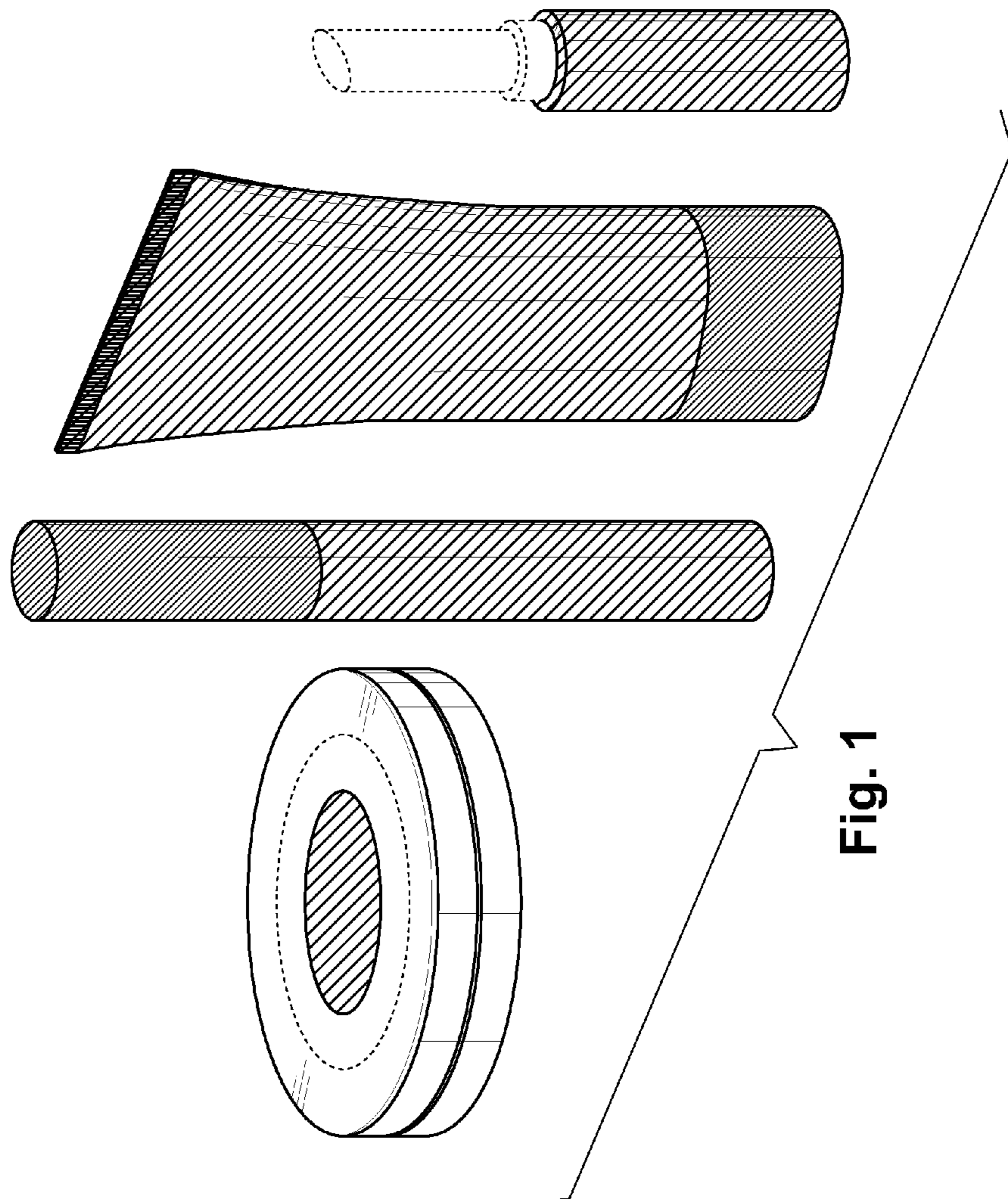


Fig. 1

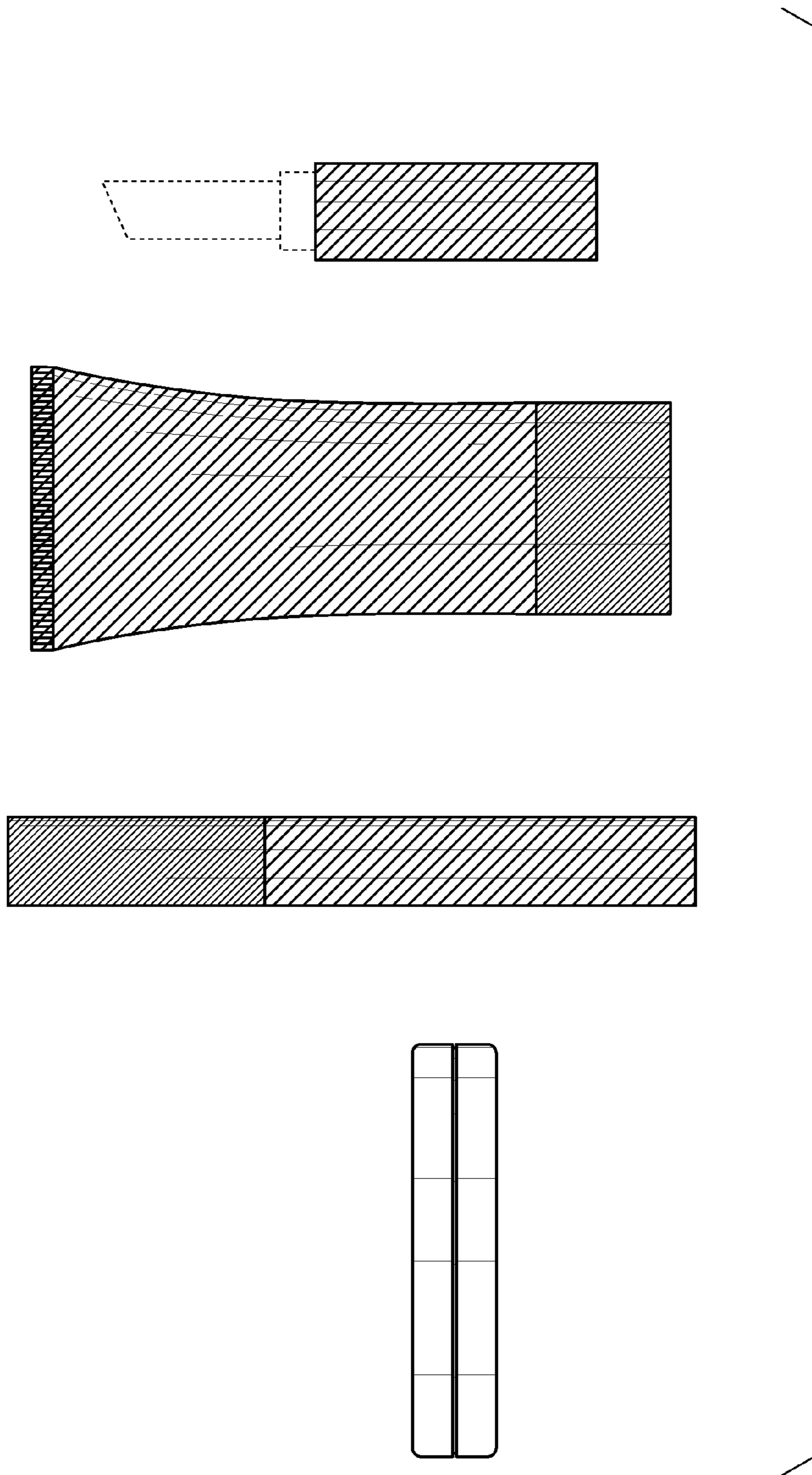


Fig. 2

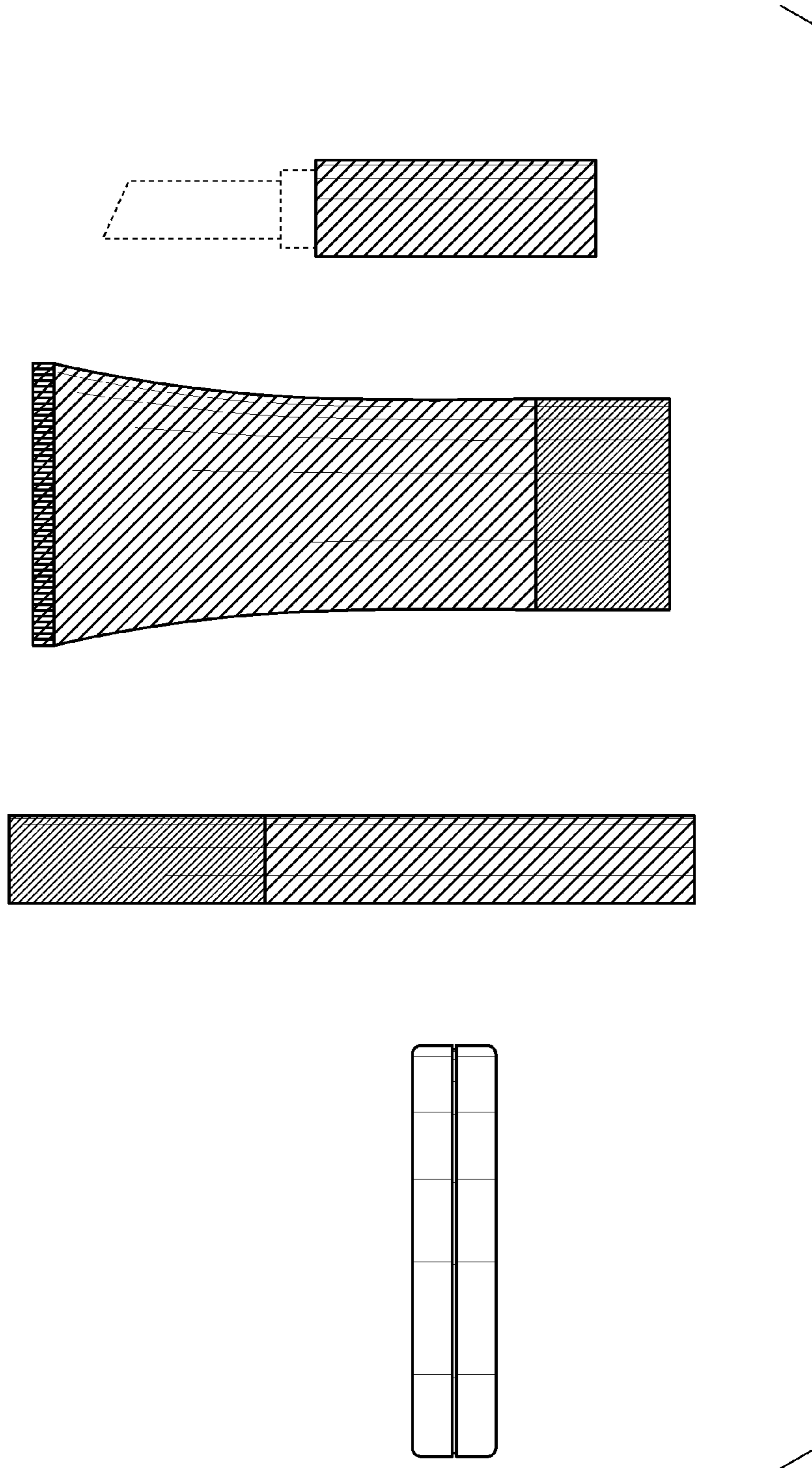


Fig. 3

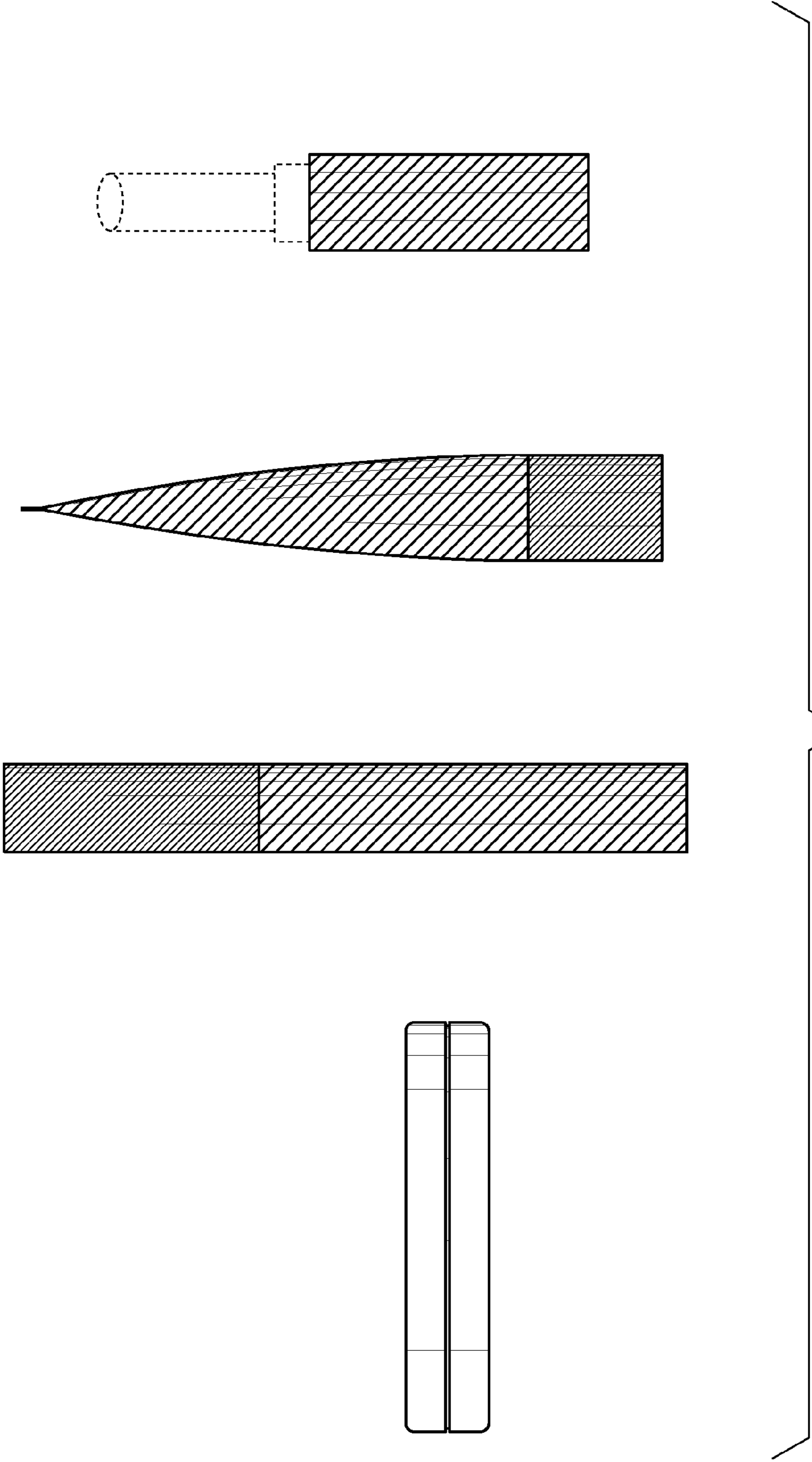


Fig. 4

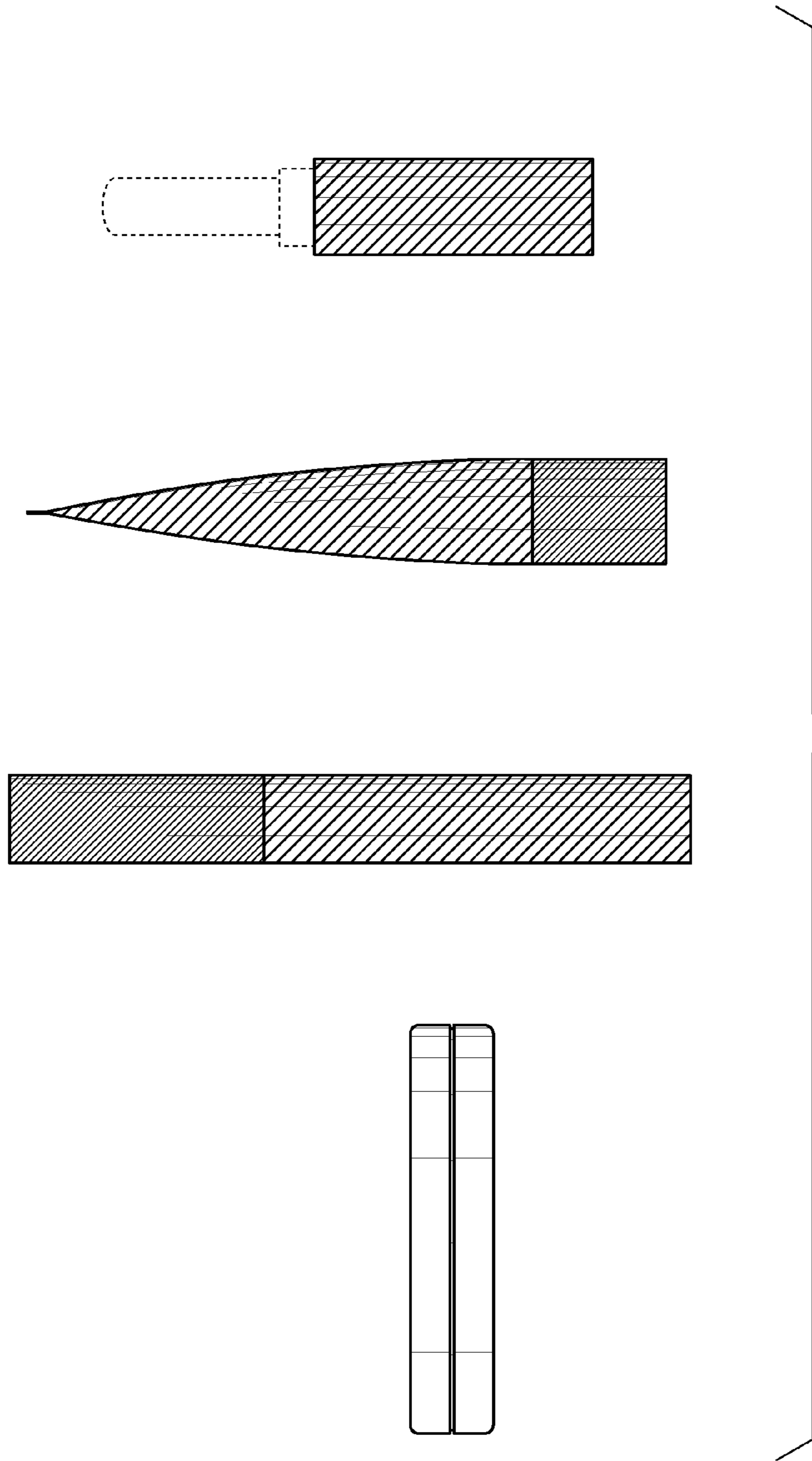


Fig. 5

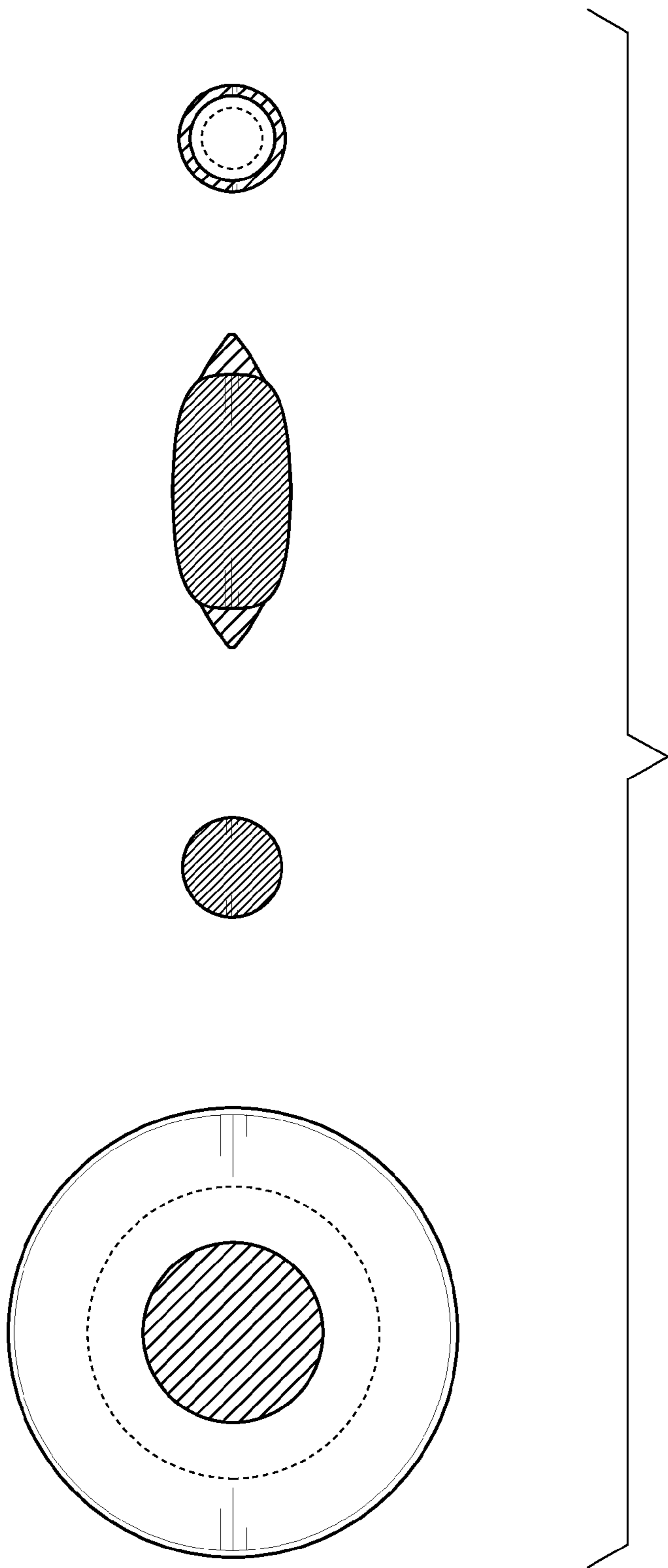


Fig. 6

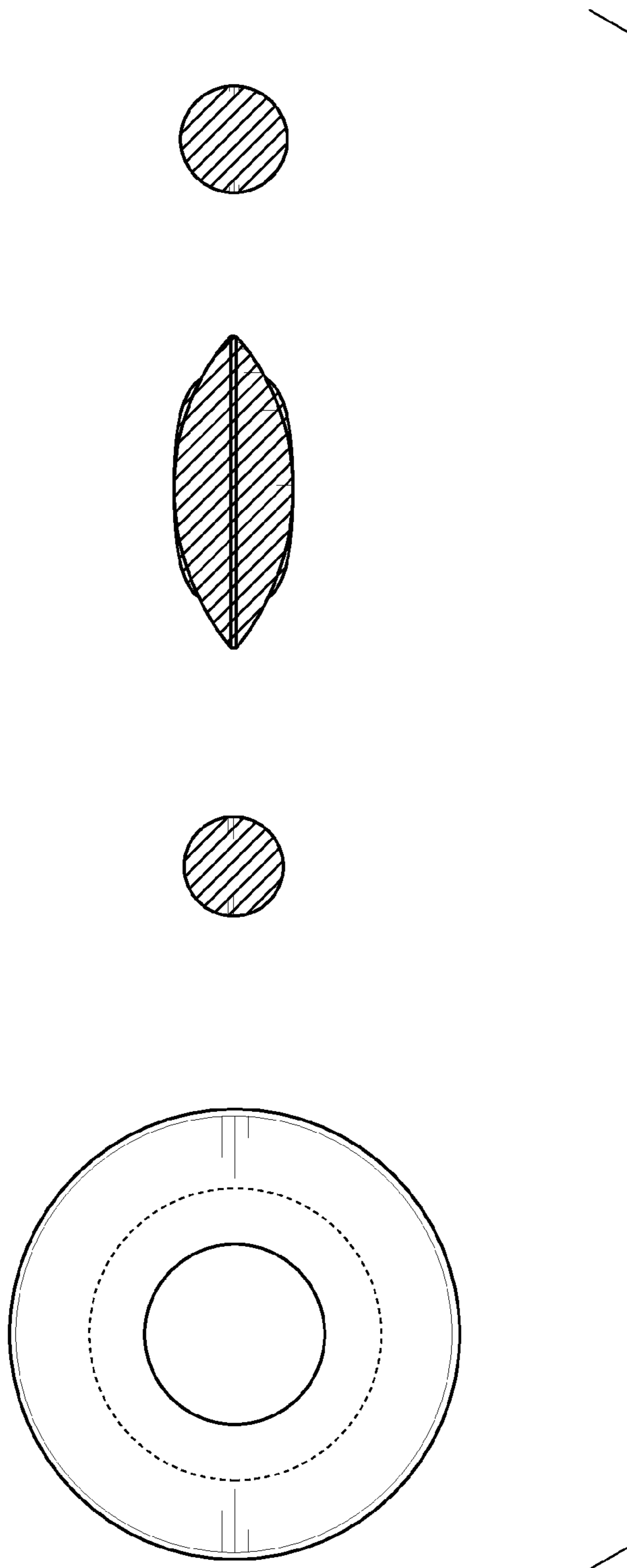


Fig. 7

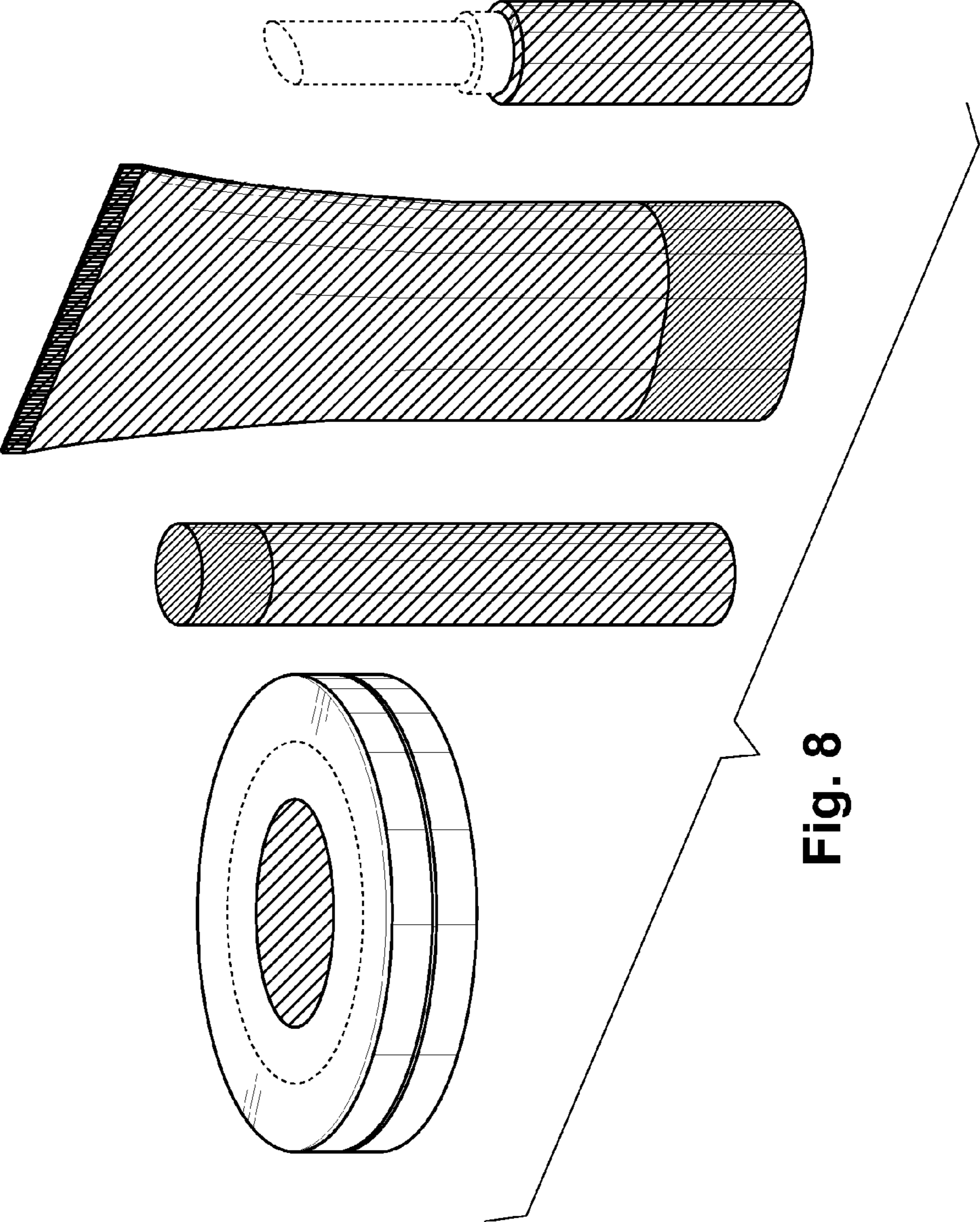


Fig. 8

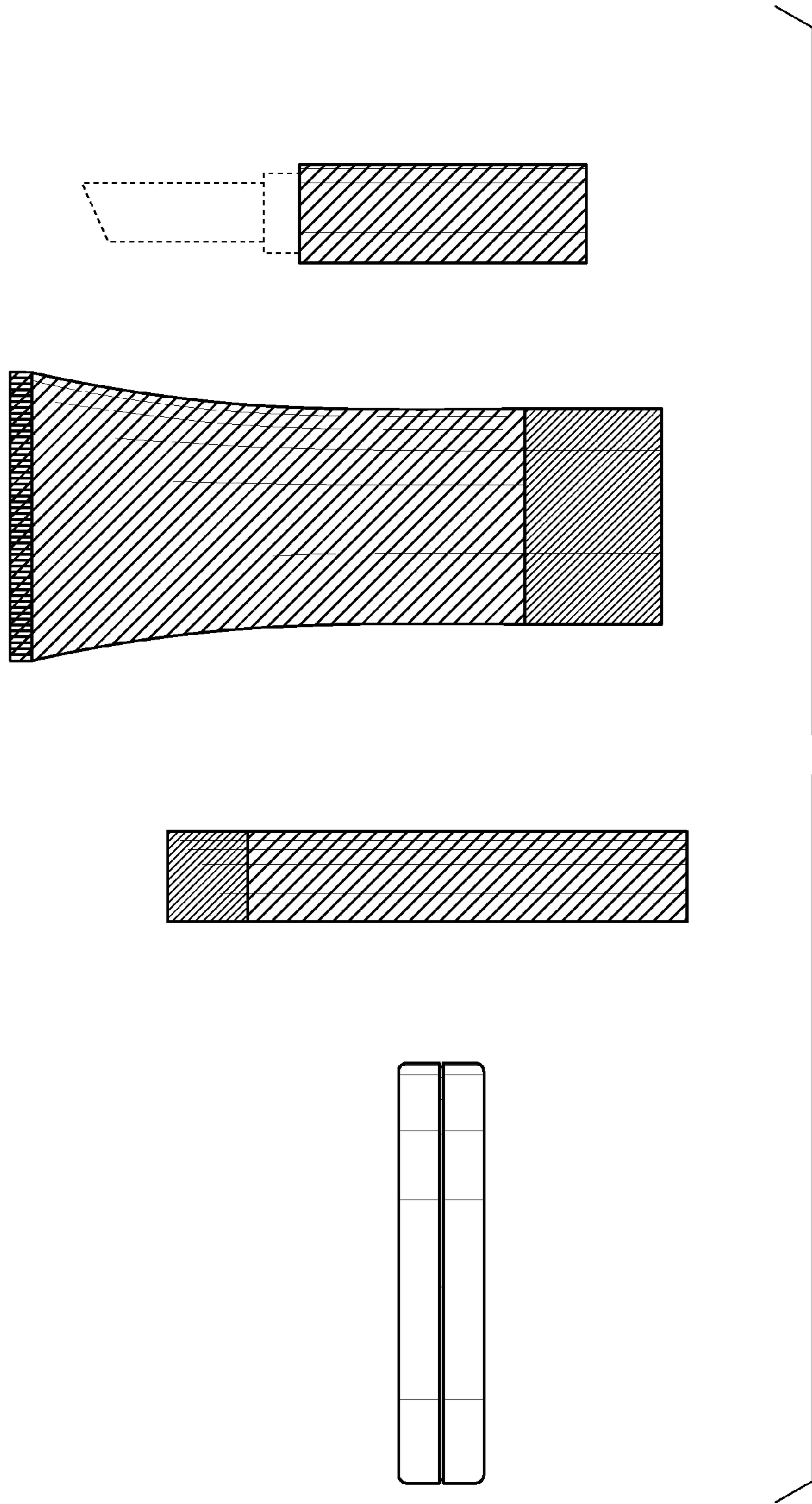


Fig. 9

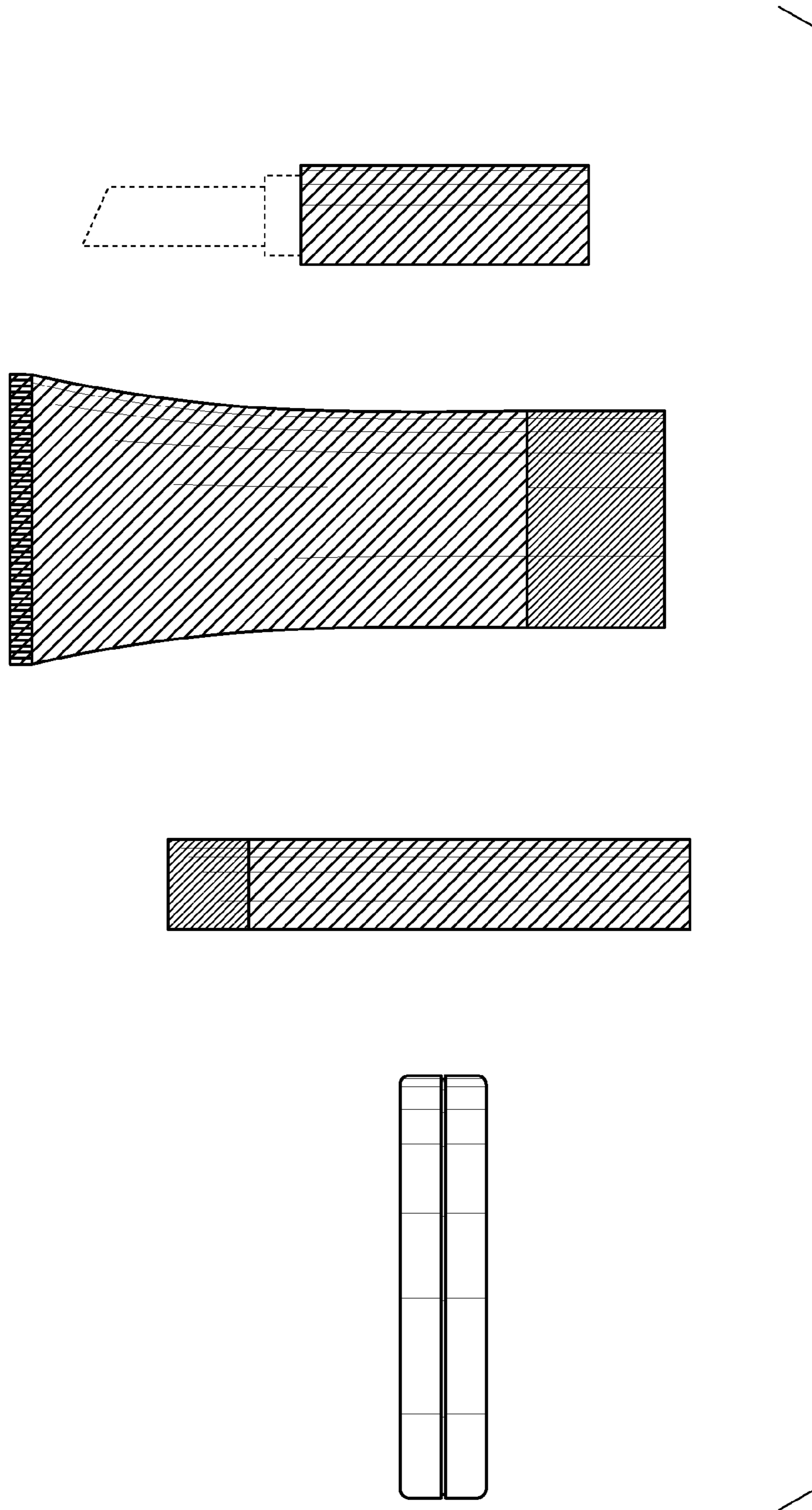


Fig. 10

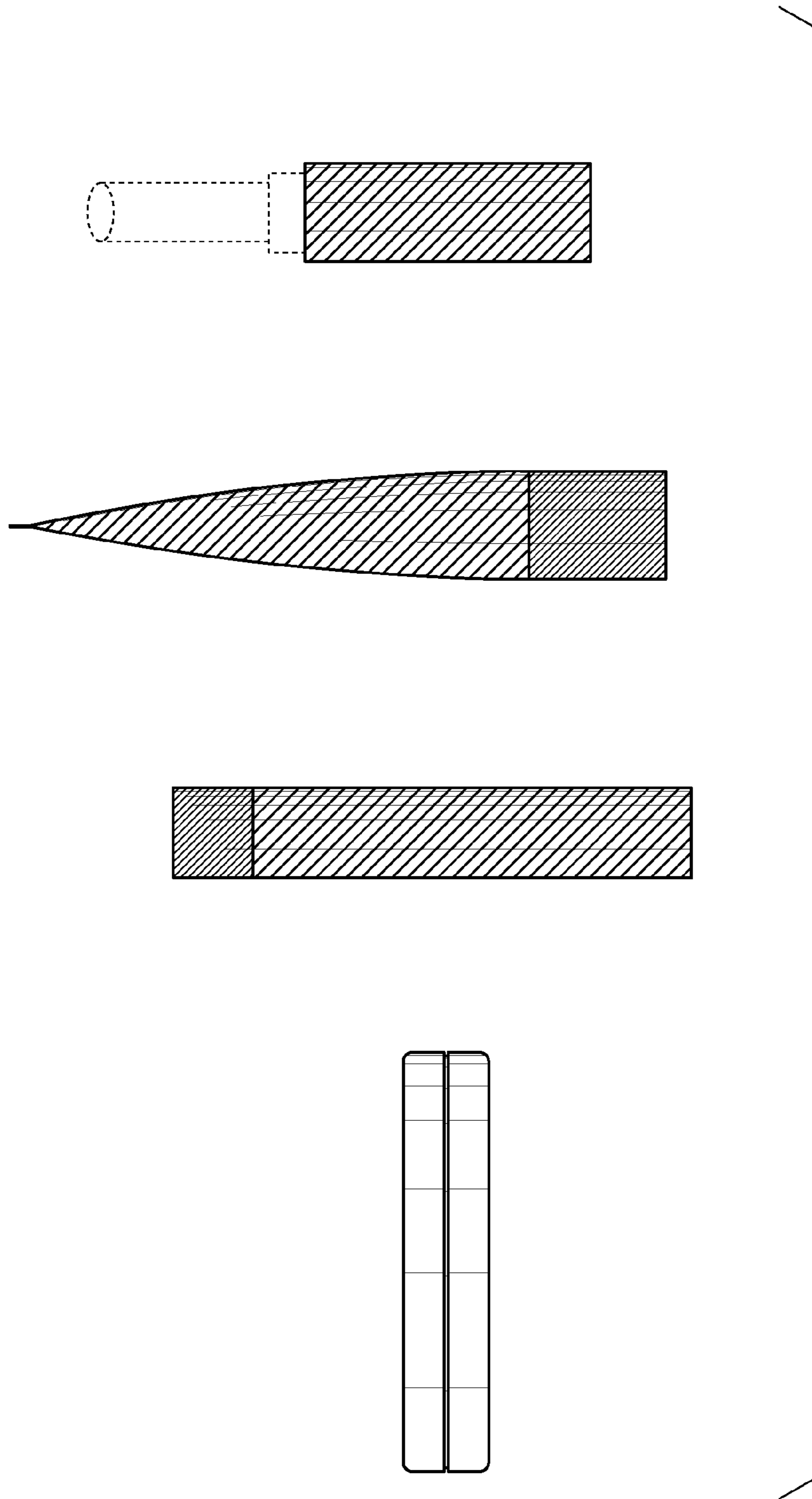


Fig. 11

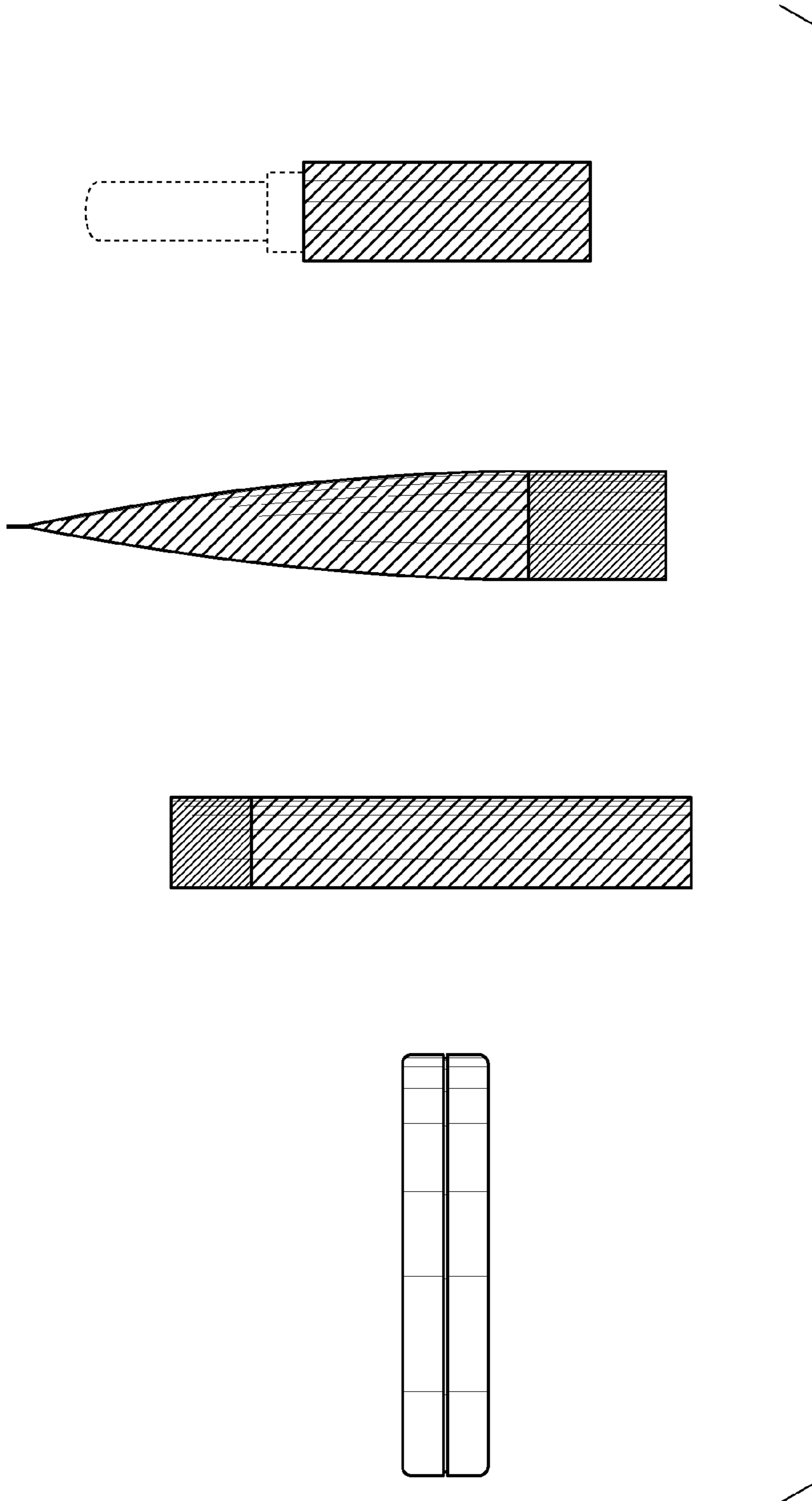


Fig. 12

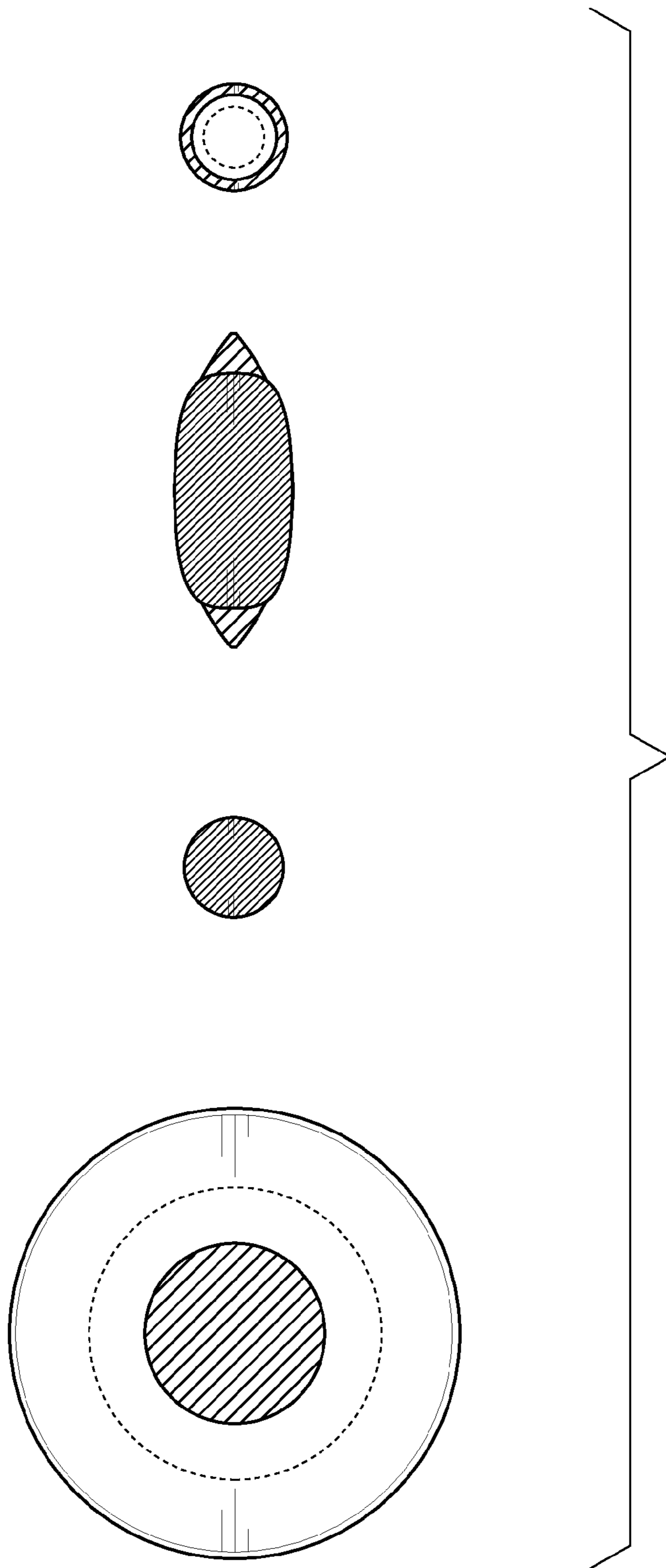


Fig. 13

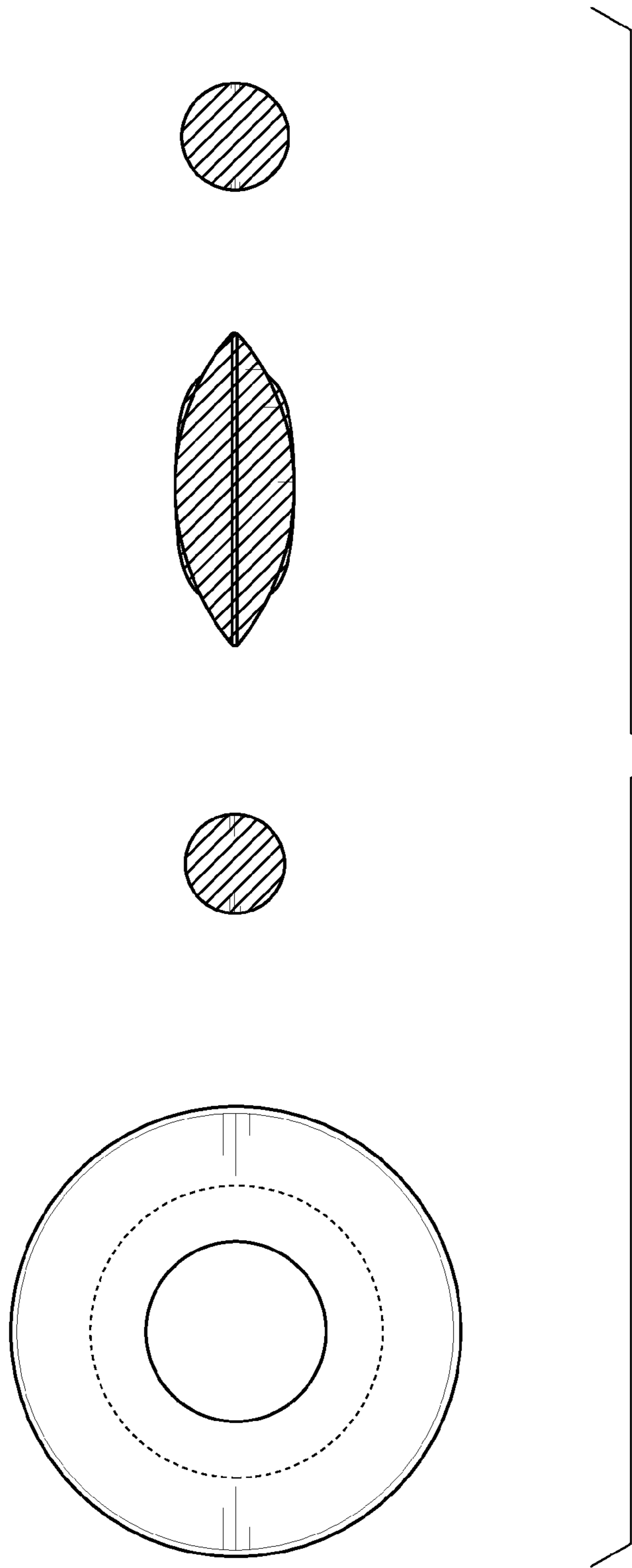


Fig. 14