



US00D699893S

(12) **United States Design Patent**  
**Marut**

(10) **Patent No.:** **US D699,893 S**  
(45) **Date of Patent:** **\*\* Feb. 18, 2014**

(54) **BACK SHAVER**

(71) Applicant: **Brett Marut**, Miami Beach, FL (US)

(72) Inventor: **Brett Marut**, Miami Beach, FL (US)

(\*\*) Term: **14 Years**

(21) Appl. No.: **29/469,571**

(22) Filed: **Oct. 11, 2013**

**Related U.S. Application Data**

(62) Division of application No. 29/456,968, filed on Jun. 5, 2013.

(51) **LOC (10) Cl.** ..... **28-03**

(52) **U.S. Cl.**  
USPC ..... **D28/49**

(58) **Field of Classification Search**  
USPC ..... D28/49-54, 44-48; 30/34.05, 32, 34.1,  
30/34.2, 43-43.92, 526-527, 44-45, 341,  
30/272.1, 226-227, 231, 233-233.5, 537

See application file for complete search history.

(56) **References Cited**

U.S. PATENT DOCUMENTS

6,189,222	B1 *	2/2001	Doyle	.....	30/531
D540,489	S *	4/2007	Leventhal et al.	.....	D28/46
D623,800	S *	9/2010	Clemons	.....	D28/46
D659,904	S *	5/2012	Gilbert	.....	D28/48
2003/0177648	A1 *	9/2003	Zeiter	.....	30/526
2004/0107585	A1 *	6/2004	Helmrich	.....	30/537

\* cited by examiner

*Primary Examiner* — Jennifer Rivard  
(74) *Attorney, Agent, or Firm* — Raymond Sun

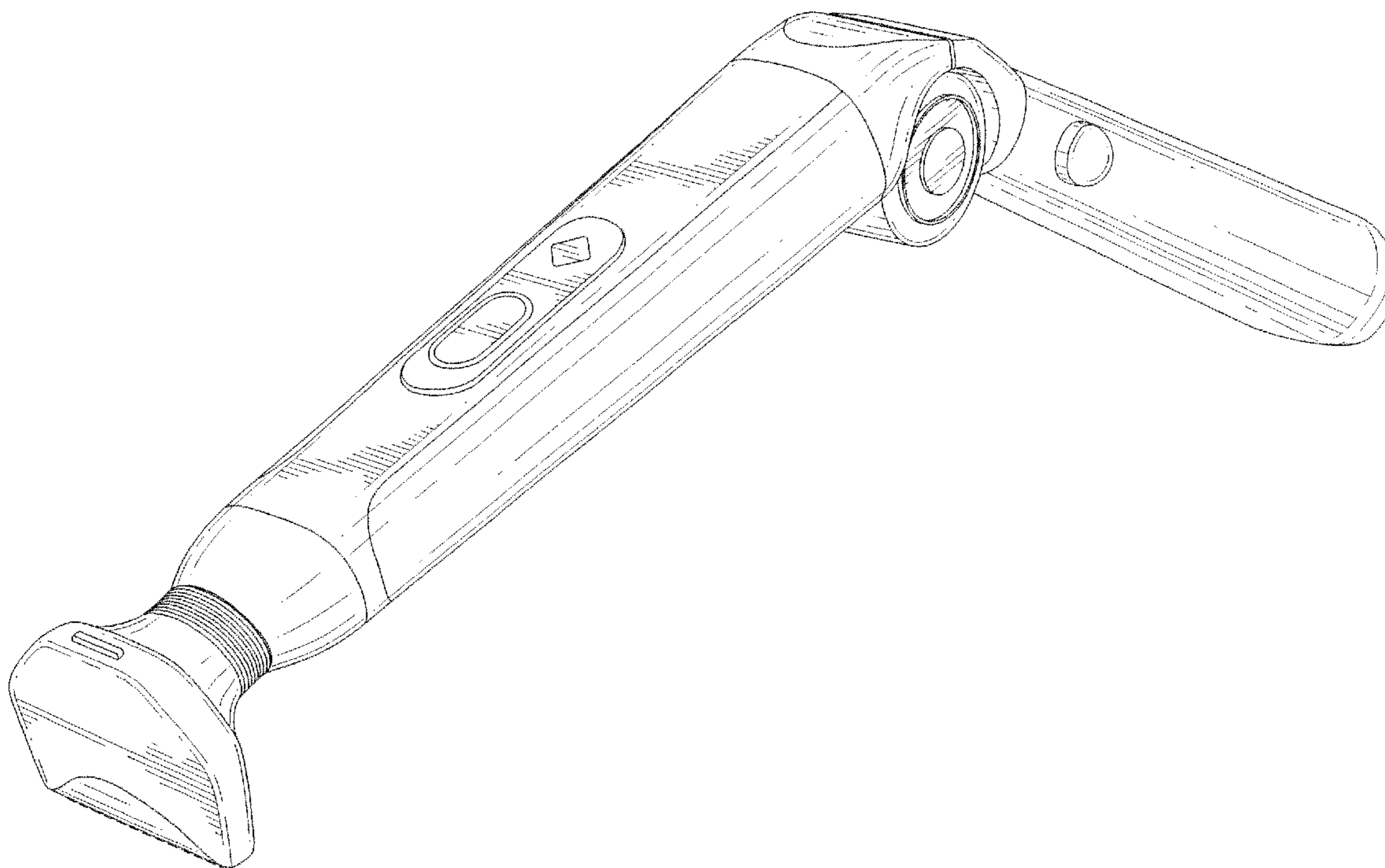
(57) **CLAIM**

I claim the ornamental design for a back shaver, as shown and described.

**DESCRIPTION**

FIG. 1 is a perspective view of a back shaver showing my new design;  
FIG. 2 is a front view thereof;  
FIG. 3 is a rear view thereof;  
FIG. 4 is a left view thereof;  
FIG. 5 is a right view thereof;  
FIG. 6 is a top view thereof; and,  
FIG. 7 is a bottom view thereof.  
The broken lines illustrate a portion of the back shaver and form no part of the claimed design.

**1 Claim, 6 Drawing Sheets**



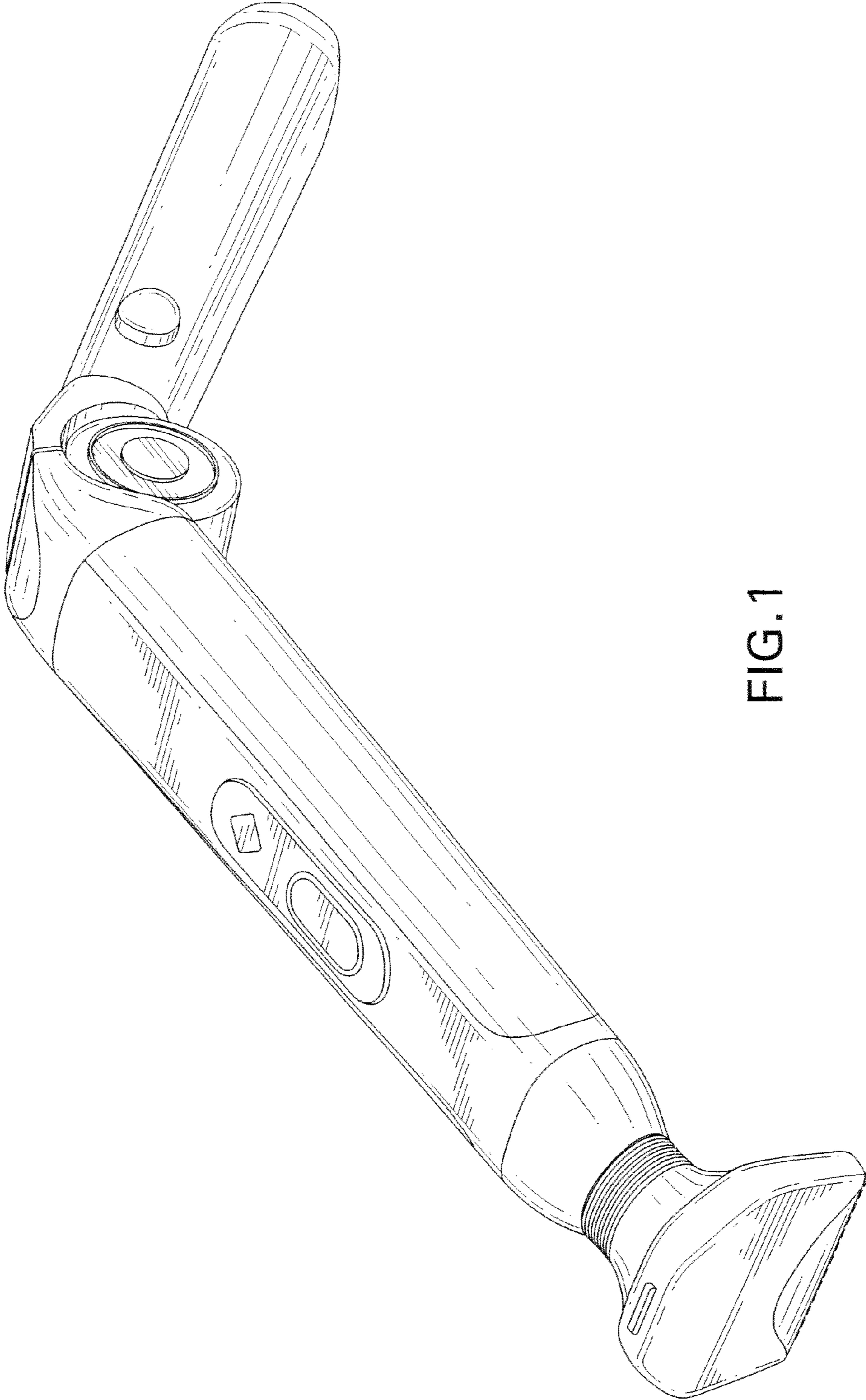


FIG. 1

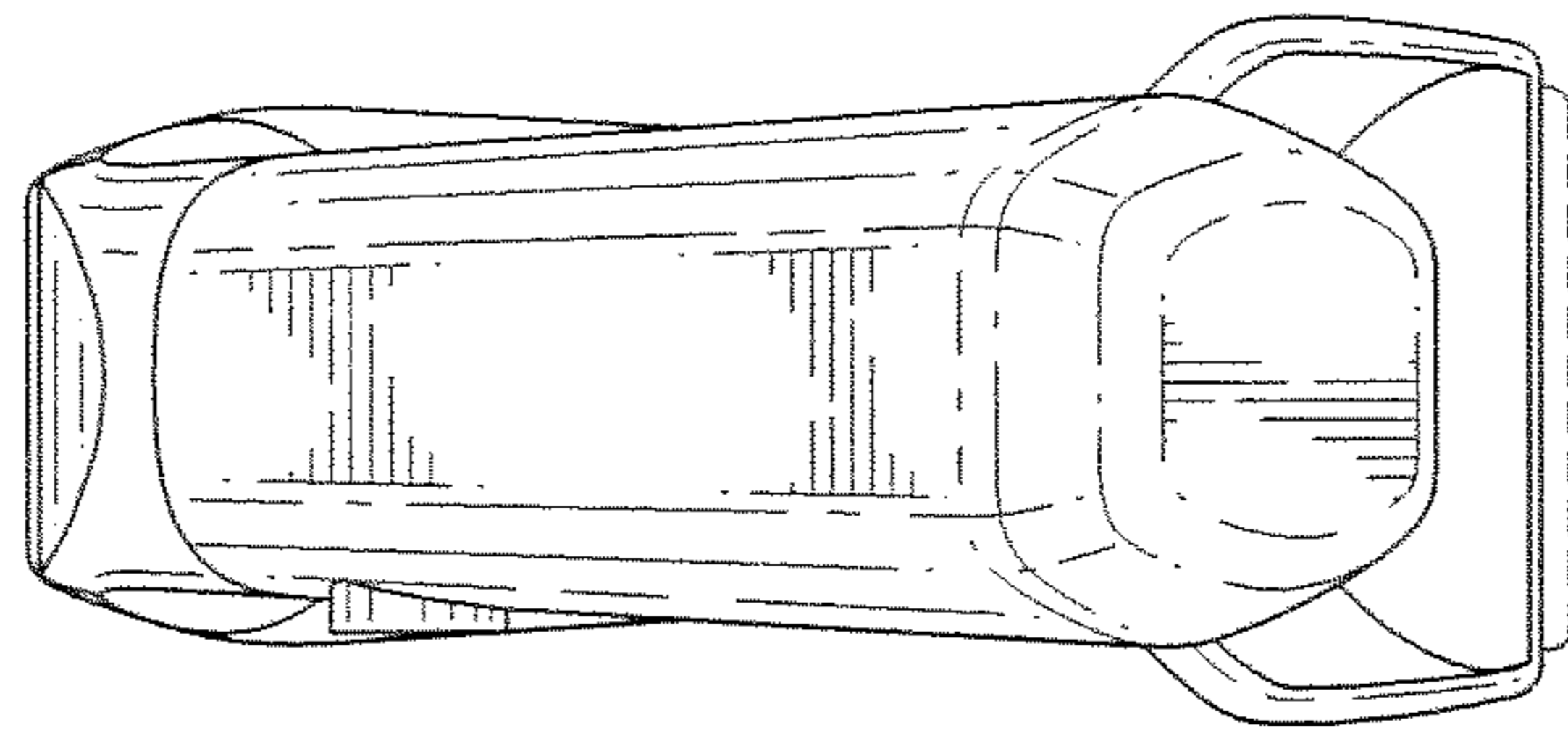


FIG. 3

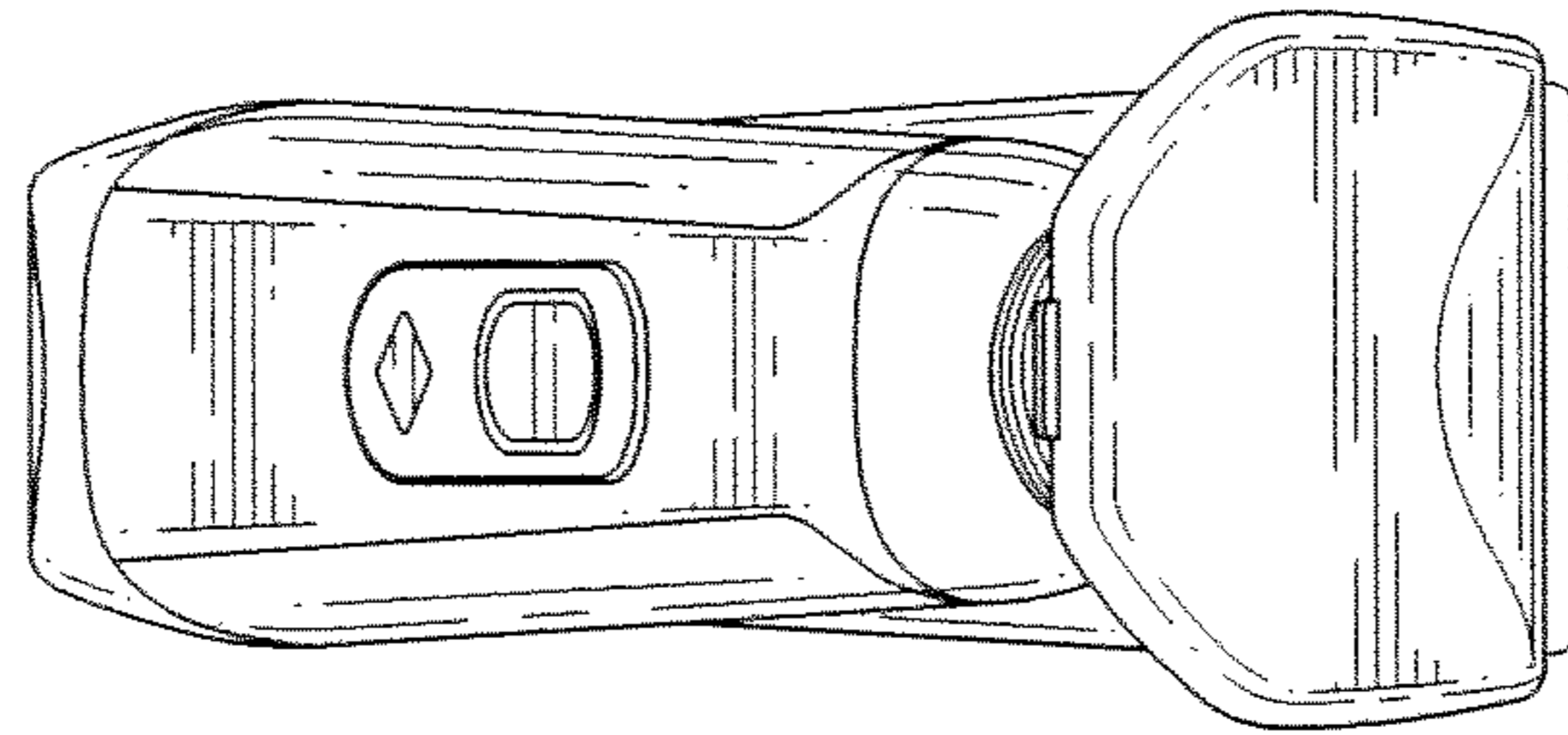


FIG. 2

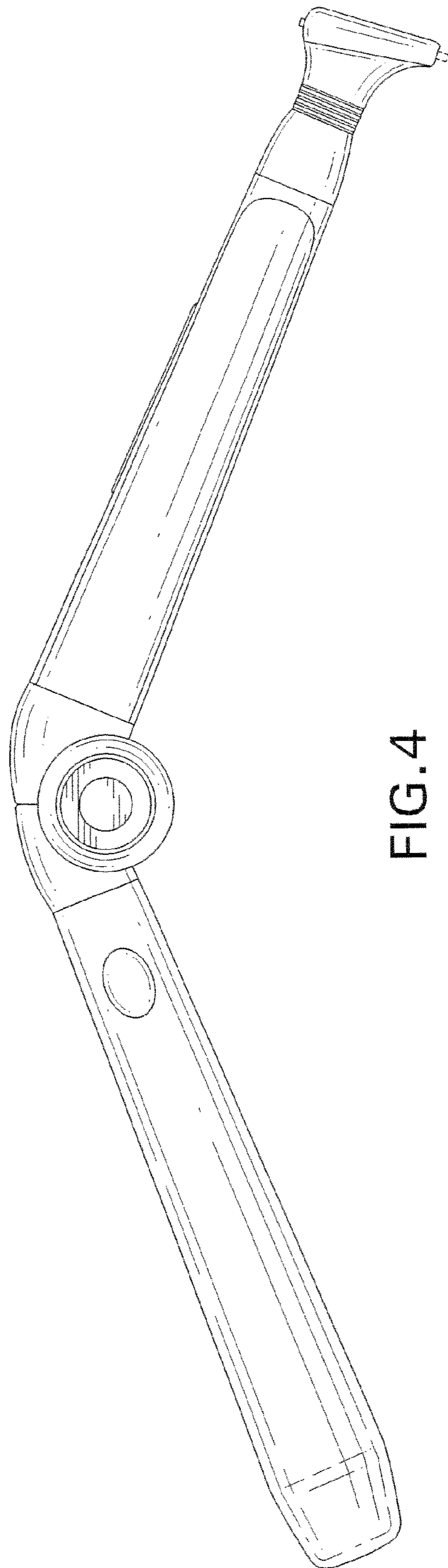


FIG. 4

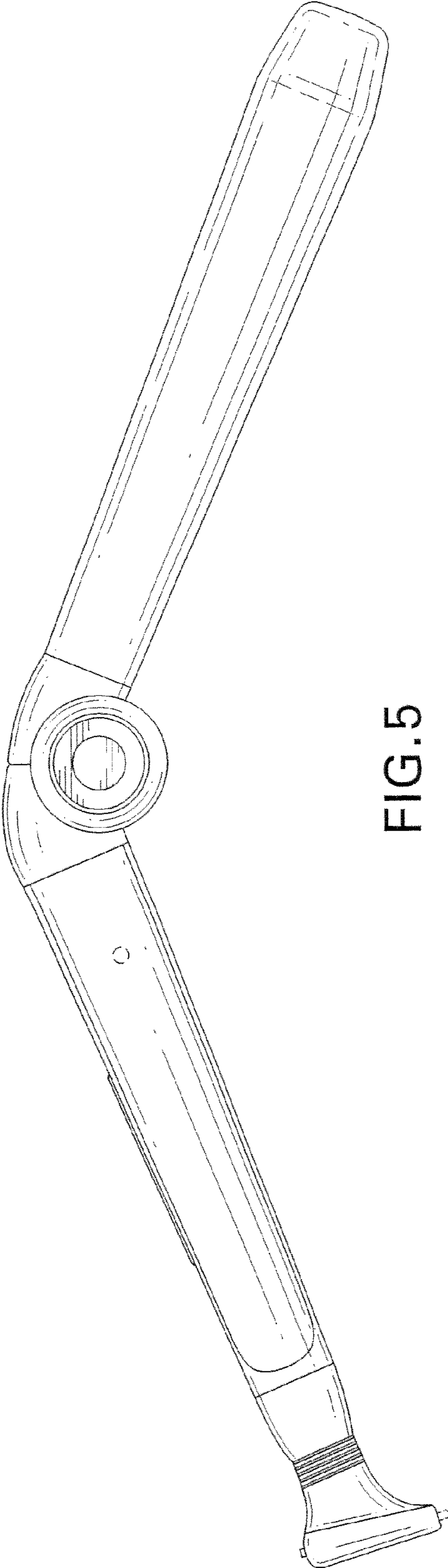


FIG.5

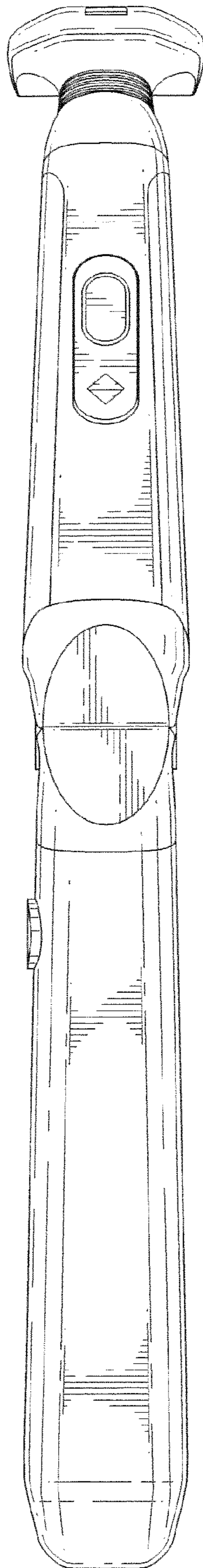


FIG. 6

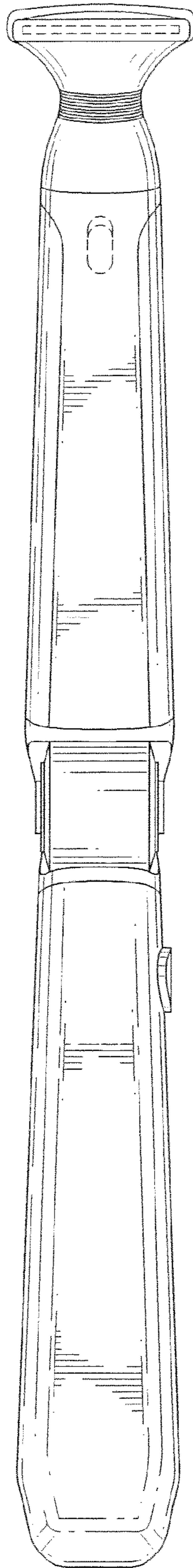


FIG. 7