

US00D699890S

(12) **United States Design Patent**
Leman

(10) **Patent No.:** **US D699,890 S**
(45) **Date of Patent:** **** Feb. 18, 2014**

(54) **LICE COMB**

(71) Applicant: **Glenn Leman**, North Attleboro, MA (US)

(72) Inventor: **Glenn Leman**, North Attleboro, MA (US)

(73) Assignee: **Health Enterprises, Inc.**, North Attleboro, MA (US)

(**) Term: **14 Years**

(21) Appl. No.: **29/459,832**

(22) Filed: **Jul. 3, 2013**

(51) **LOC (10) Cl.** **28-03**

(52) **U.S. Cl.**
USPC **D28/29; D28/30**

(58) **Field of Classification Search**
USPC D28/7, 20-34, 39-43; 132/53, 101, 132/112, 126, 128-131, 144, 148, 150, 208, 132/216, 219, 275-284; D32/49; 15/142, 15/143.1; D30/158, 159
See application file for complete search history.

(56) **References Cited**

U.S. PATENT DOCUMENTS

4,807,652 A 2/1989 Bachrach
4,815,232 A 3/1989 Rawski

D307,192 S *	4/1990	Saferstein et al.	D28/25
D307,808 S *	5/1990	Cabiddu	D28/29
D339,881 S *	9/1993	Thomas	D28/29
D365,662 S *	12/1995	Leman	D28/25
5,870,851 A	2/1999	Shoemaker		
6,098,633 A	8/2000	Pabari		
D433,184 S *	10/2000	Lennon	D28/25
D452,982 S *	1/2002	Offer et al.	D28/29
6,607,716 B1	8/2003	Smith et al.		
D524,983 S *	7/2006	Smith et al.	D28/31
8,104,485 B2	1/2012	Maor et al.		
8,276,595 B2	10/2012	Maor et al.		
2002/0078972 A1	6/2002	Levandovsky		
2008/0212312 A1	9/2008	Kaufmann et al.		
2010/0145417 A1	6/2010	Kaufmann et al.		
2012/0051085 A1	3/2012	Albaladejo Jimenez		

* cited by examiner

Primary Examiner — Zenia Bennett

(74) *Attorney, Agent, or Firm* — Salter & Michaelson

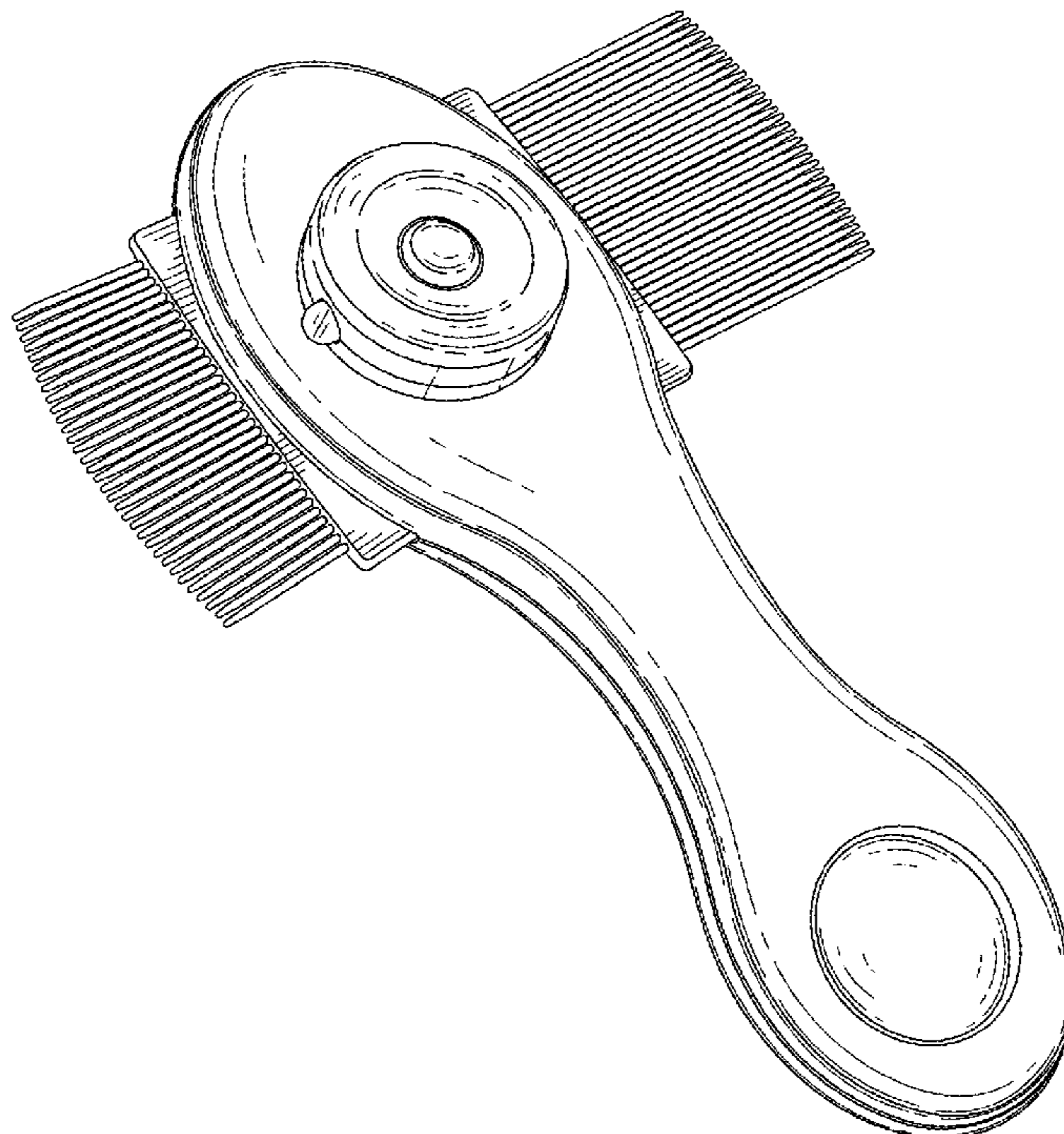
(57) **CLAIM**

The ornamental design for a lice comb, as shown.

DESCRIPTION

FIG. 1 is a perspective view of a lice comb;
FIG. 2 is a top plan view thereof;
FIG. 3 is a bottom plan view thereof;
FIG. 4 is a front elevational view thereof;
FIG. 5 is a rear elevational view thereof;
FIG. 6 is a right side elevational view thereof; and,
FIG. 7 is a left side elevational view thereof.

1 Claim, 5 Drawing Sheets



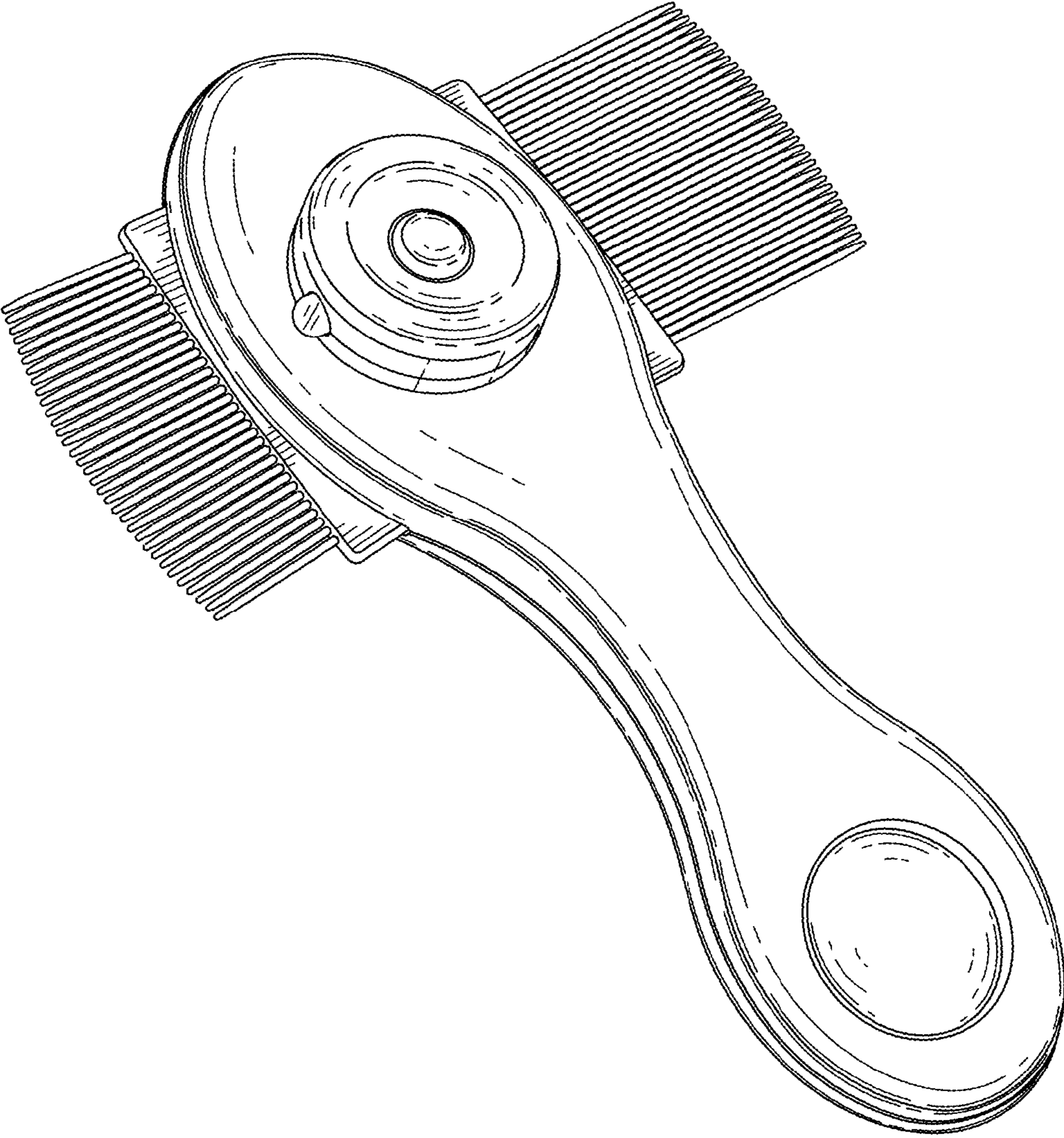


FIG. 1

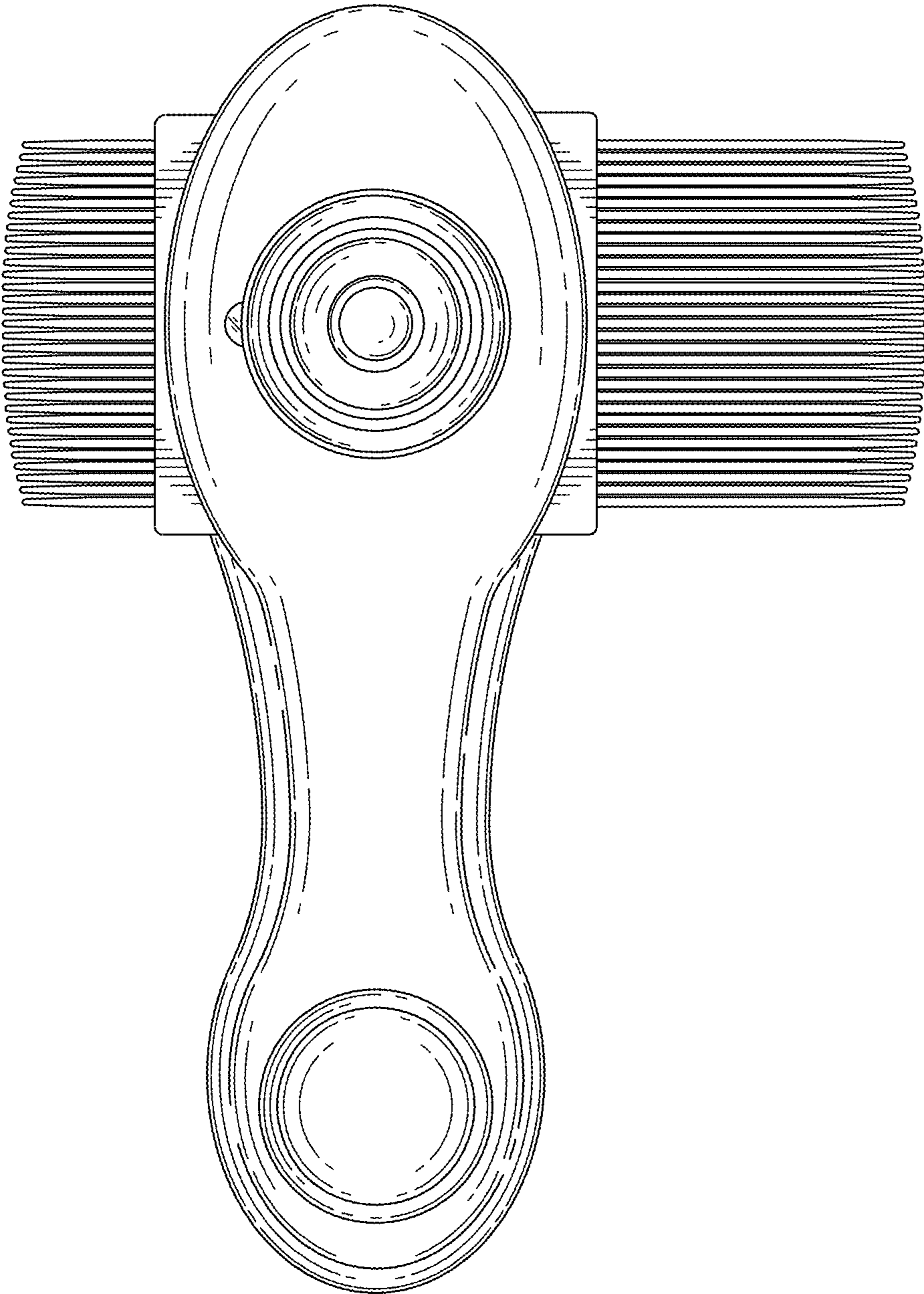


FIG. 2

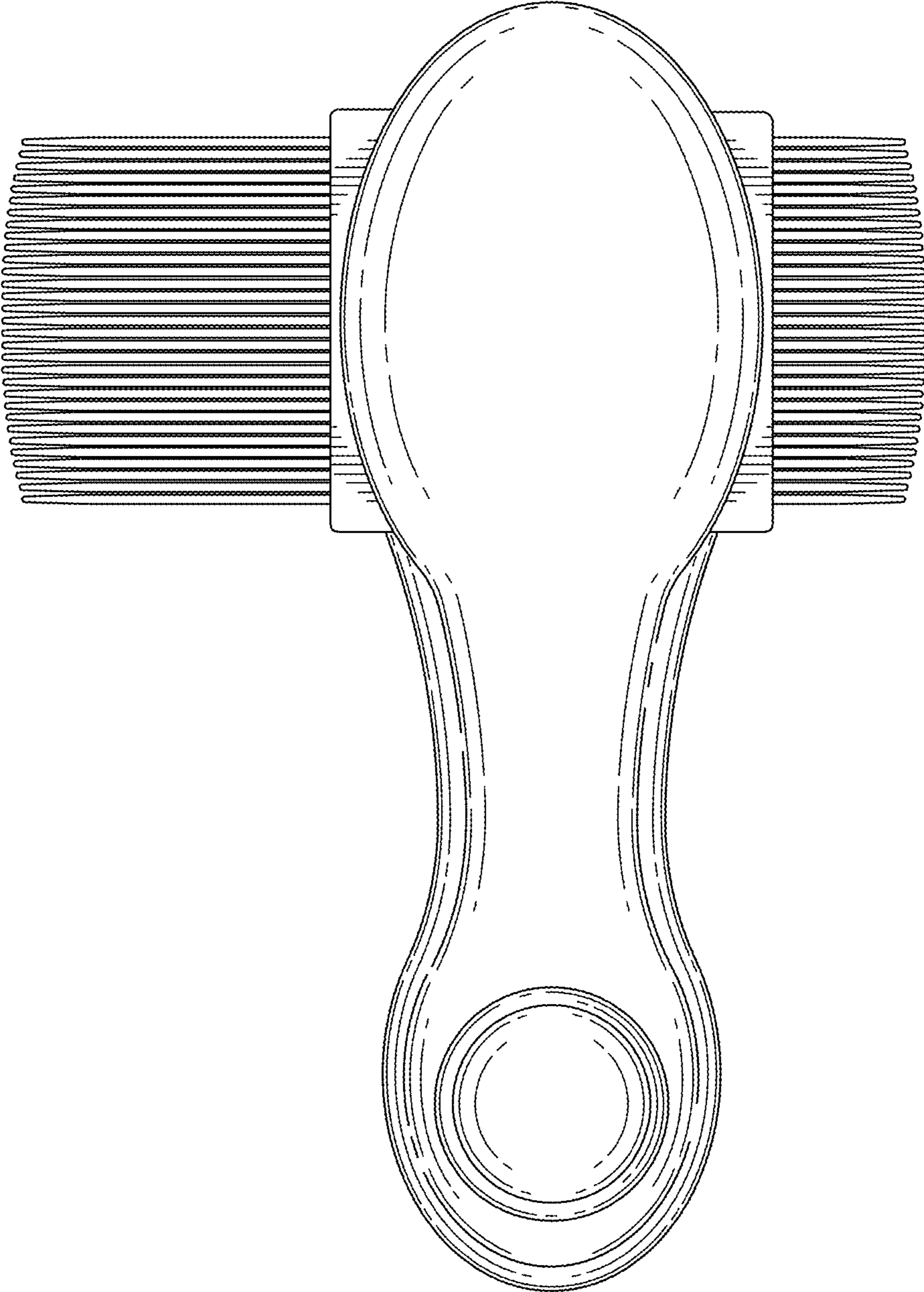


FIG. 3

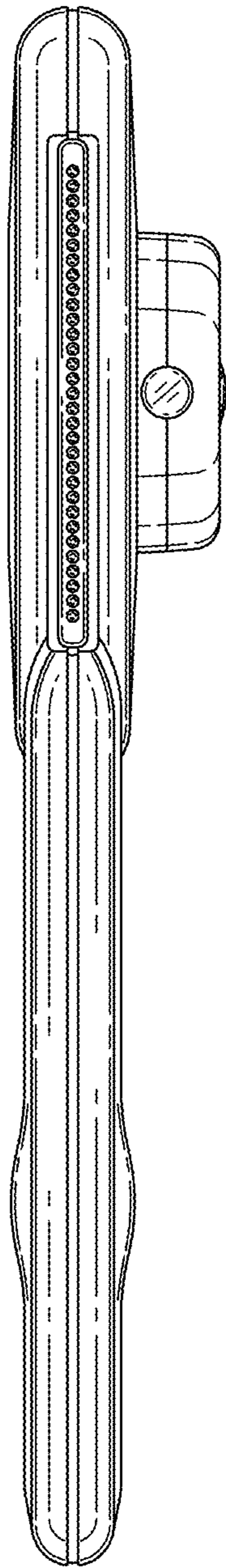


FIG. 4

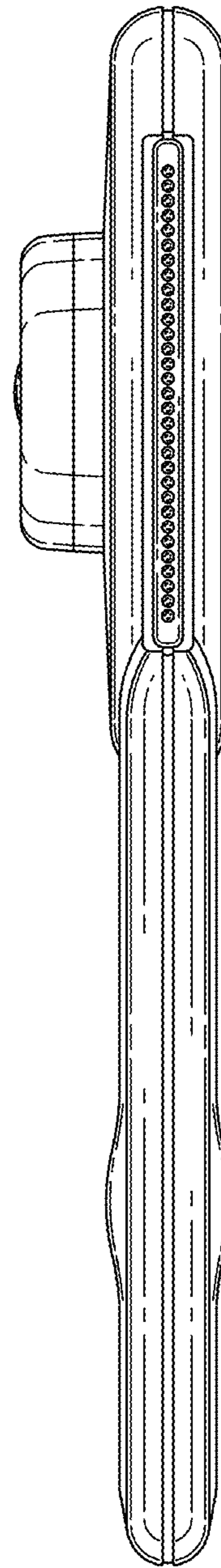


FIG. 5

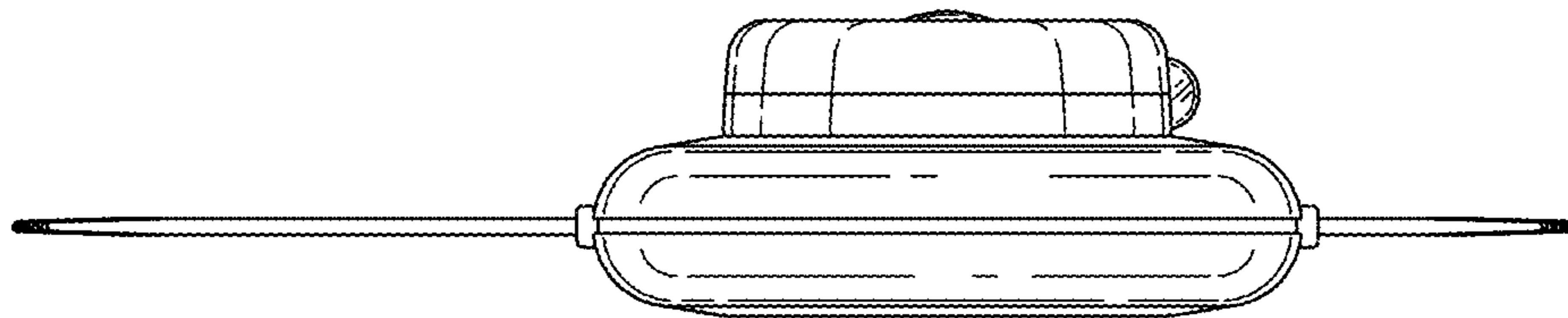


FIG. 6

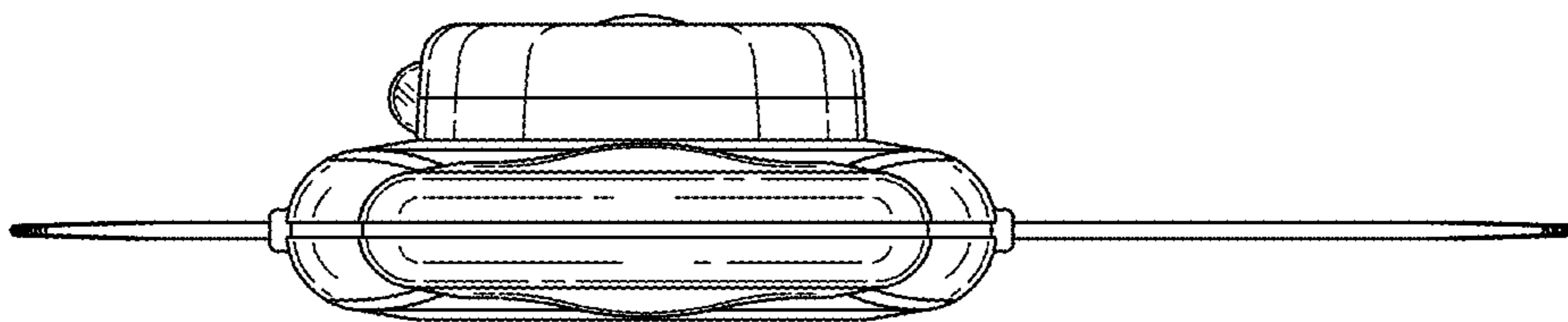


FIG. 7