



US00D699889S

(12) **United States Design Patent**
Yasuji Fletcher et al.

(10) **Patent No.:** **US D699,889 S**
(45) **Date of Patent:** **** Feb. 18, 2014**

(54) **LIGHT FIXTURE**

(71) Applicant: **Phoenix Products Company, Inc.**,
Milwaukee, WI (US)

(72) Inventors: **Robert Kenneth Yasuji Fletcher**,
Racine, WI (US); **Jason John Pechloff**,
Waukesha, WI (US)

(73) Assignee: **Phoenix Products Company, Inc.**,
Milwaukee, WI (US)

(**) Term: **14 Years**

(21) Appl. No.: **29/432,760**

(22) Filed: **Sep. 20, 2012**

(51) **LOC (10) Cl.** **26-99**

(52) **U.S. Cl.**
USPC **D26/138**

(58) **Field of Classification Search**
USPC D26/2, 3, 24, 60-63, 65, 68, 70-72, 74,
D26/76, 80-87, 93, 113, 118, 120-122, 124,
D26/128, 130, 134, 137, 138, 141, 142, 145,
D26/152-155; D13/133.134, 136, 146, 178,
D13/180; 362/92, 102, 147, 327, 364, 367,
362/368, 405, 407, 413, 545; 165/80.3,
165/104.21, 104.33; 248/303; D8/354, 367,
D8/370; D25/38, 126; D6/524, 649

See application file for complete search history.

(56) **References Cited**

U.S. PATENT DOCUMENTS

D353,475 S * 12/1994 Shemitz D26/138
D516,229 S * 2/2006 Tang D26/2
D595,452 S * 6/2009 Khang et al. D26/138
7,784,973 B2 * 8/2010 Zhang et al. 362/294

D627,507 S * 11/2010 Lai et al. D26/138
D639,499 S * 6/2011 Choi et al. D26/138
7,988,336 B1 * 8/2011 Harbers et al. 362/294
D651,738 S * 1/2012 Guercio et al. D26/138
D655,860 S * 3/2012 Choi et al. D26/138
2005/0174780 A1 * 8/2005 Park 362/294
2010/0026158 A1 * 2/2010 Wu 313/46

* cited by examiner

Primary Examiner — Zenia Bennett

(74) *Attorney, Agent, or Firm* — Whyte Hirschboeck Dudek
S.C.

(57) **CLAIM**

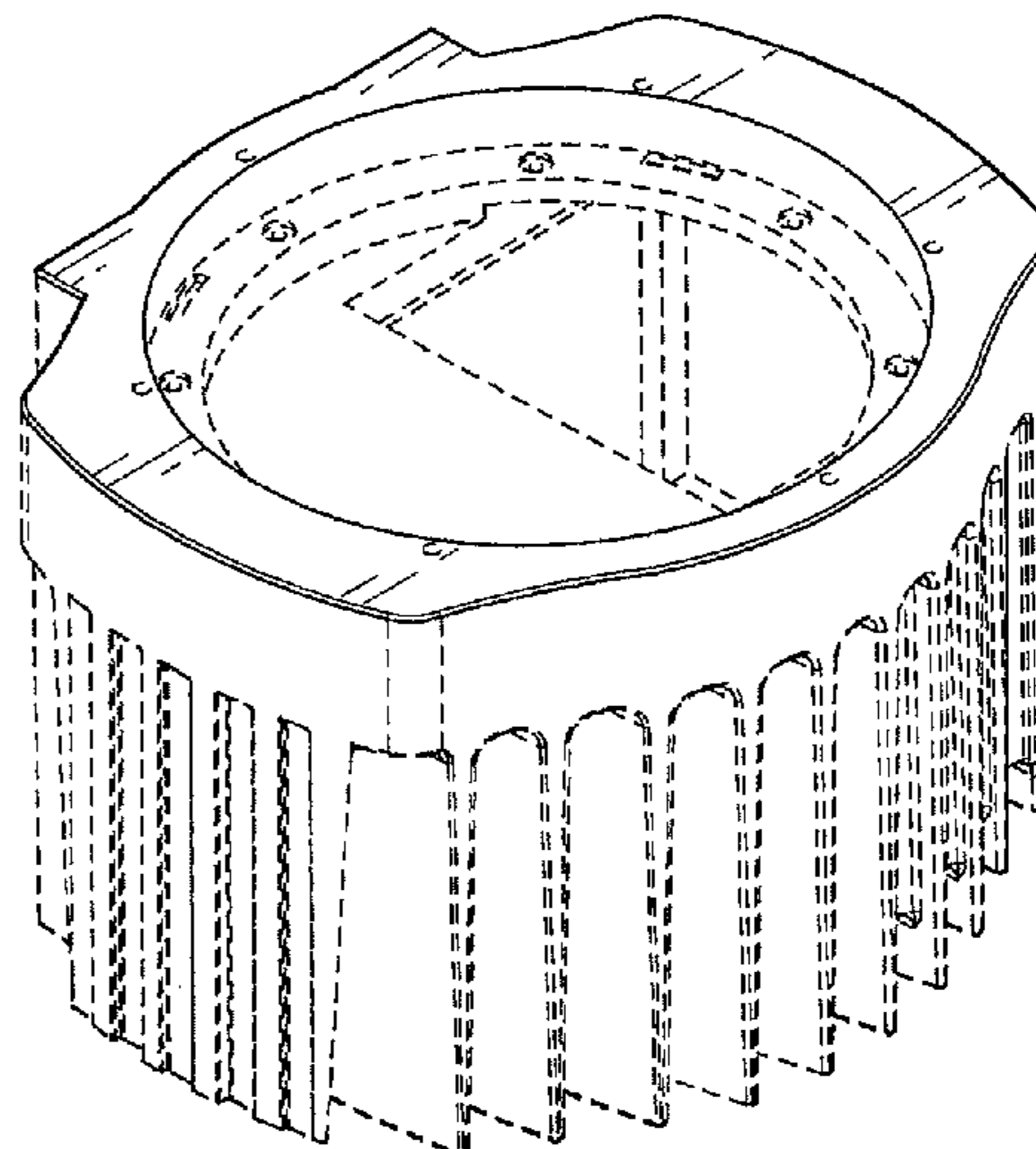
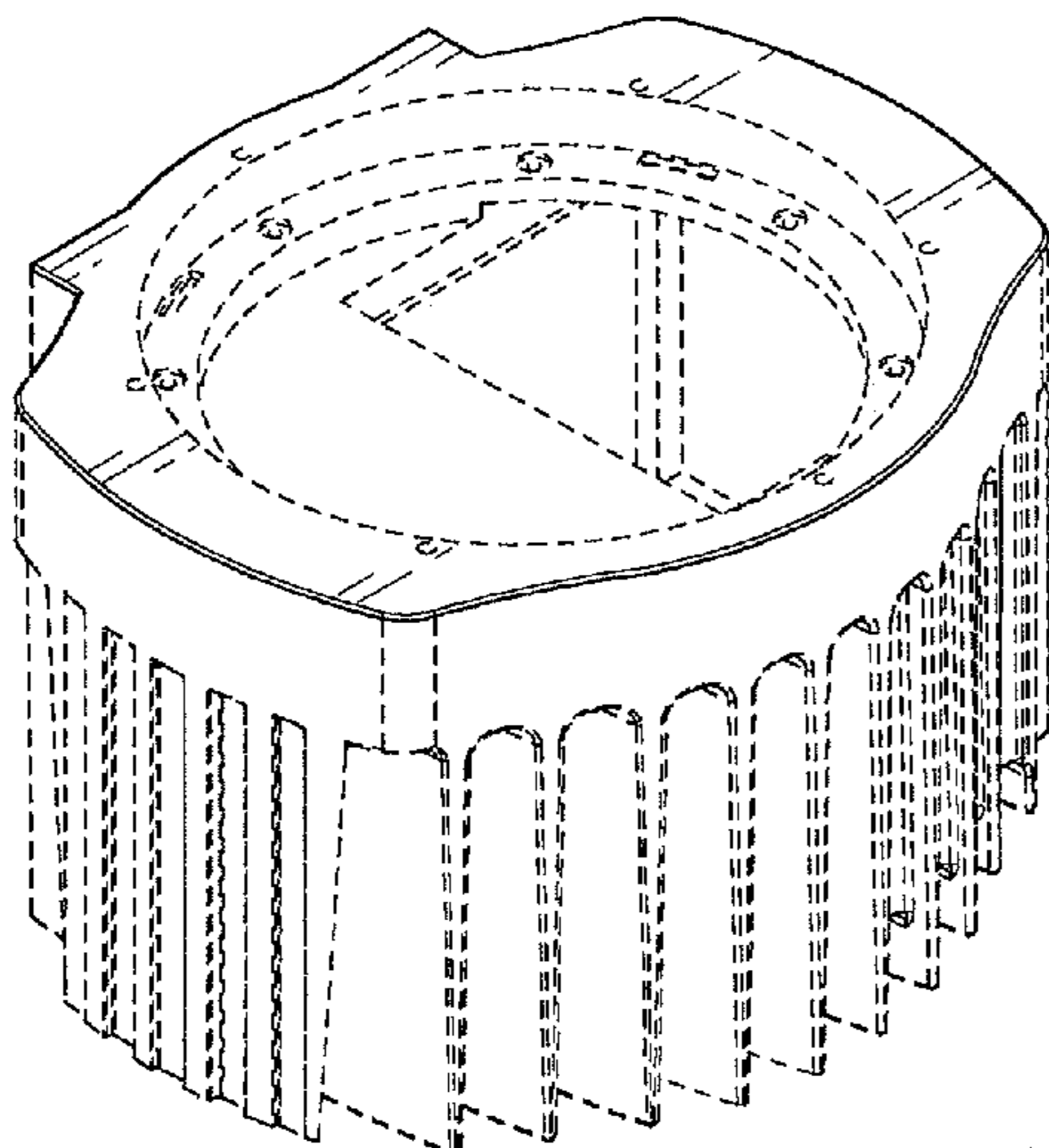
The ornamental design for a light fixture, as shown and
described.

DESCRIPTION

FIG. 1 is a perspective view of an embodiment of a light
fixture;
FIG. 2 is a front view thereof;
FIG. 3 is a back view thereof;
FIG. 4 is a bottom view thereof;
FIG. 5 is a top view thereof;
FIG. 6 is a first side view thereof;
FIG. 7 is a second side view thereof;
FIG. 8 is a perspective view of another embodiment of the
light fixture;
FIG. 9 is a front view thereof;
FIG. 10 is a back view thereof;
FIG. 11 is a bottom view thereof;
FIG. 12 is a top view thereof;
FIG. 13 is a first side view thereof; and,
FIG. 14 is a second side view thereof.

The broken lines shown in the drawings illustrate unclaimed
portions of the light fixture and form no part of the claimed
design.

1 Claim, 8 Drawing Sheets



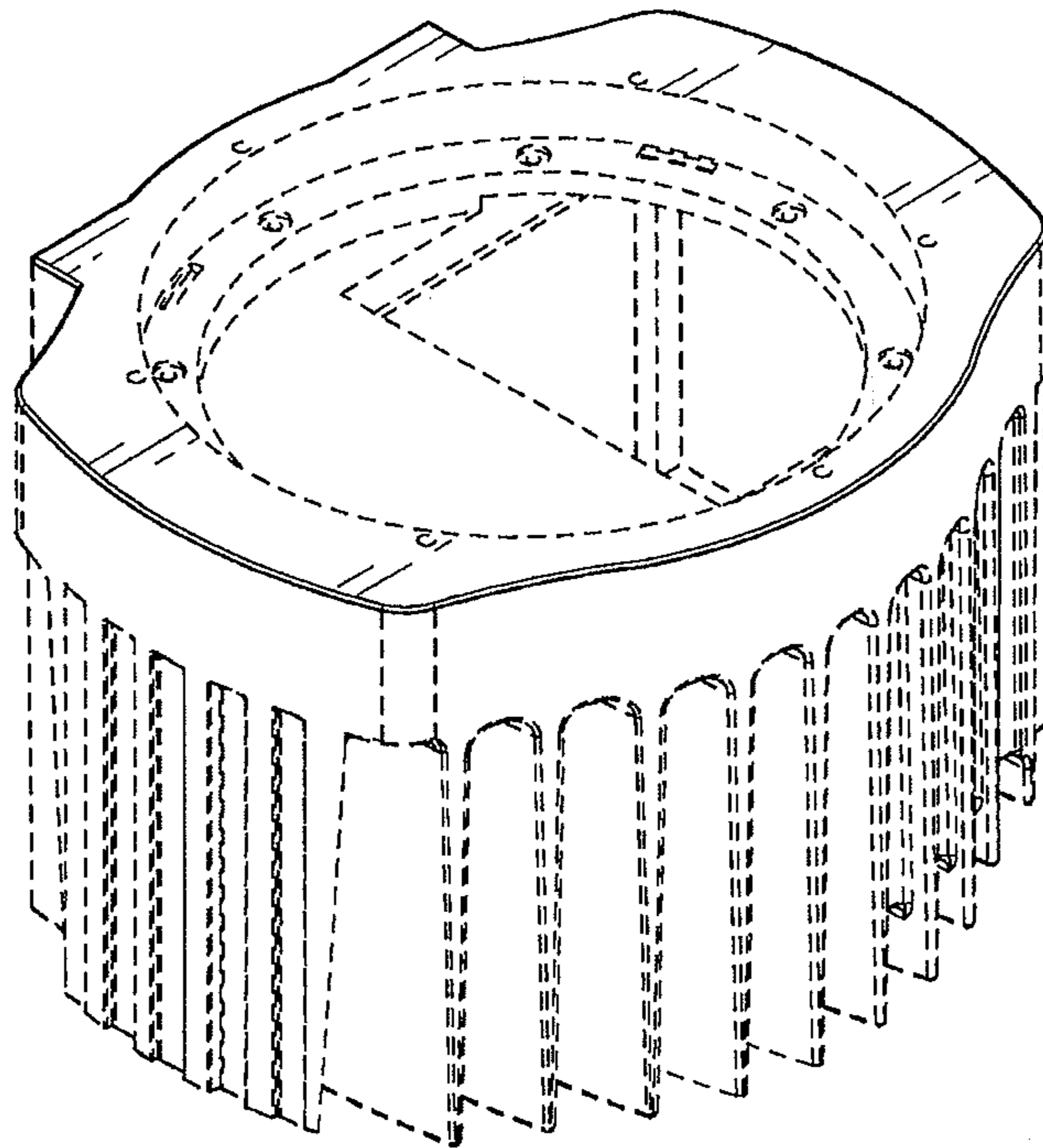


FIG. 1

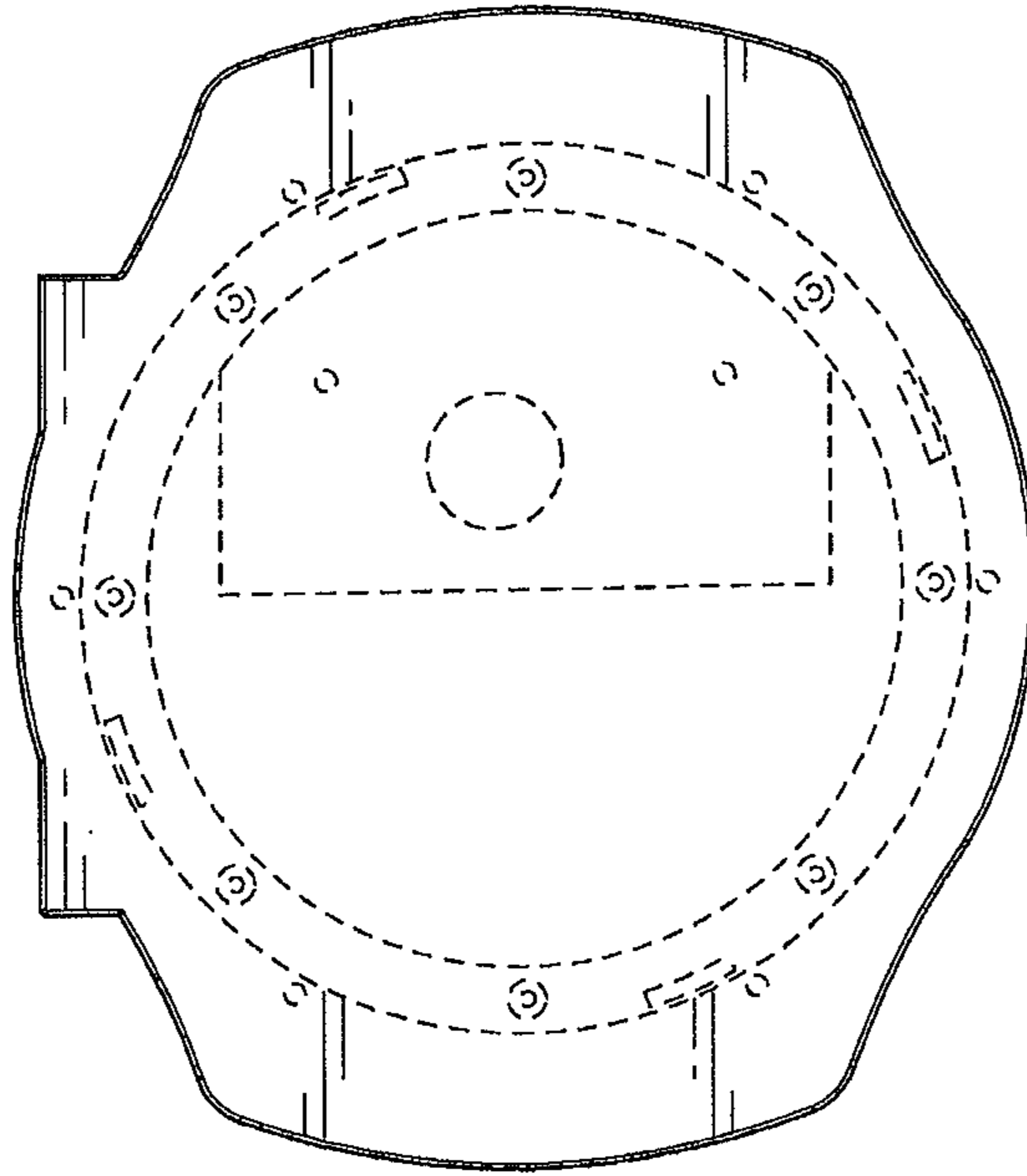


FIG. 2

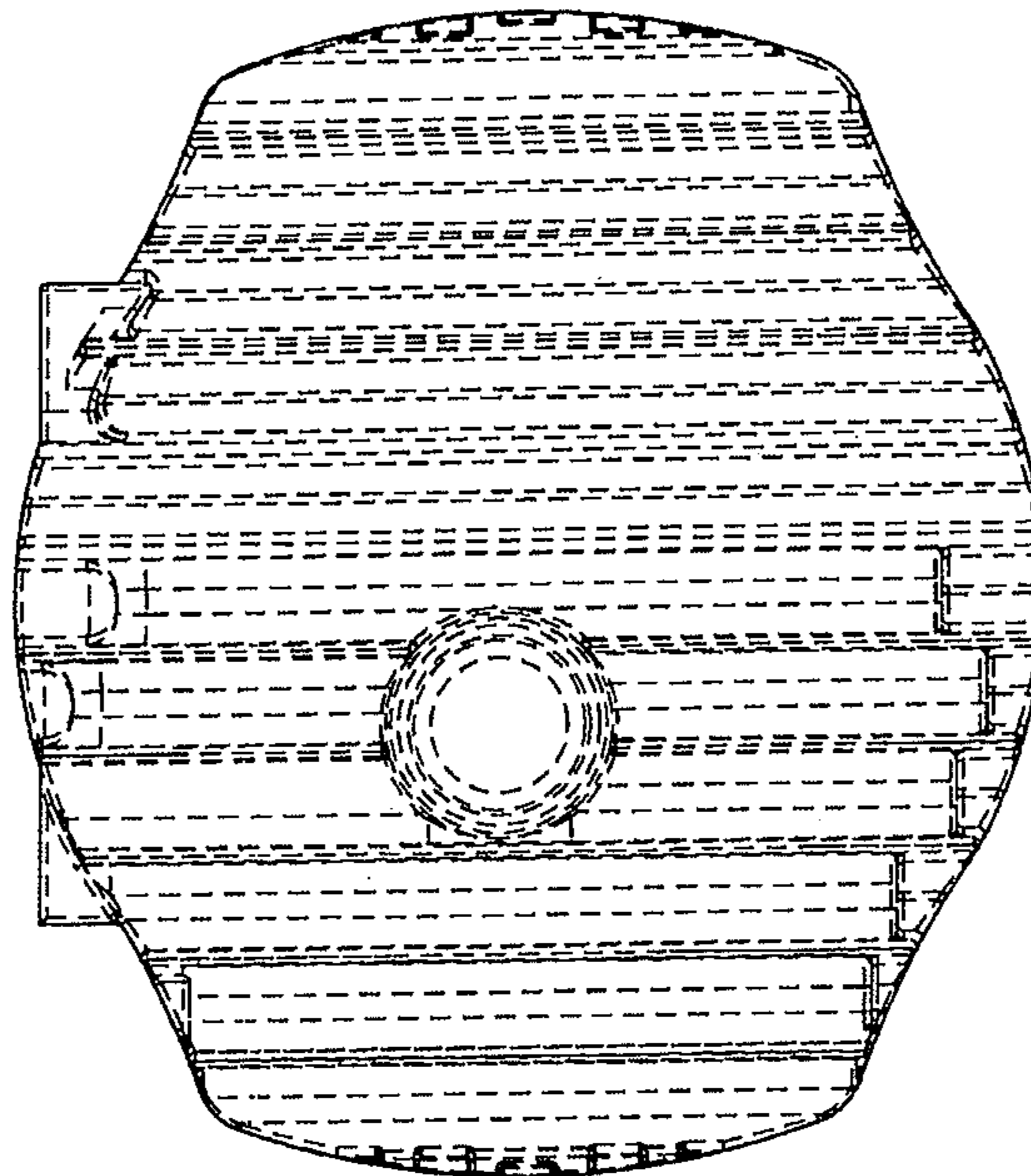


FIG. 3

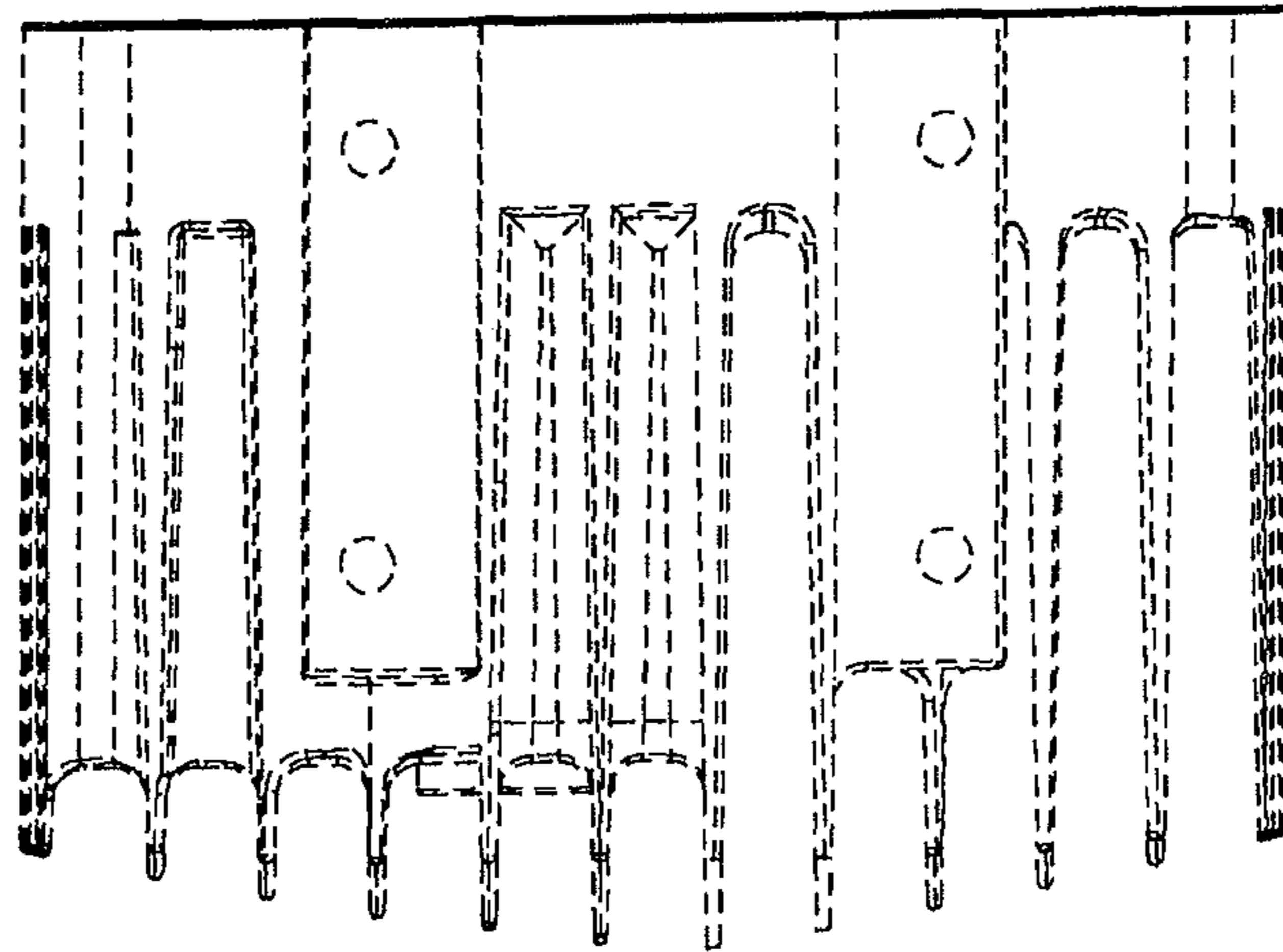


FIG. 4

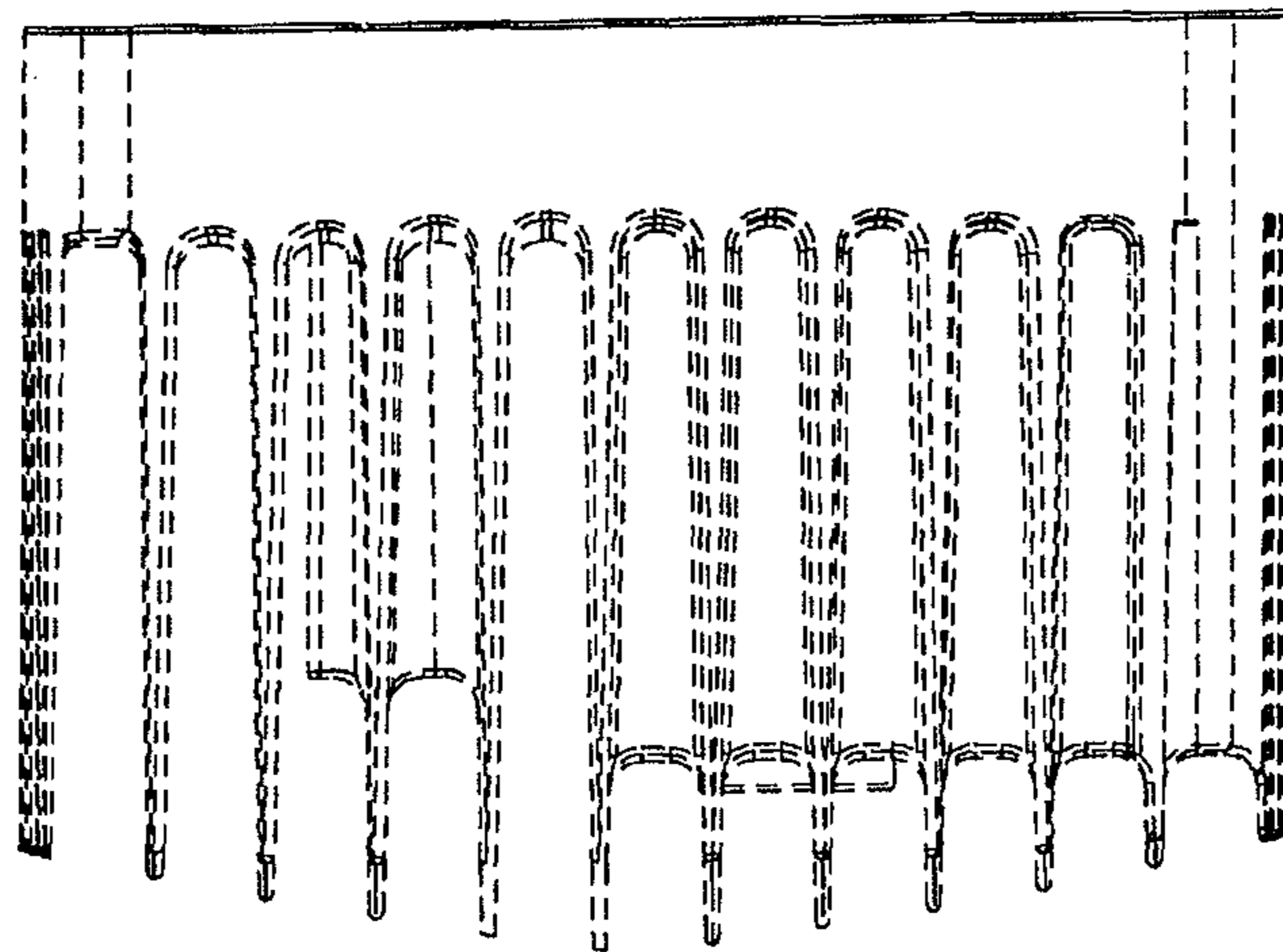


FIG. 5

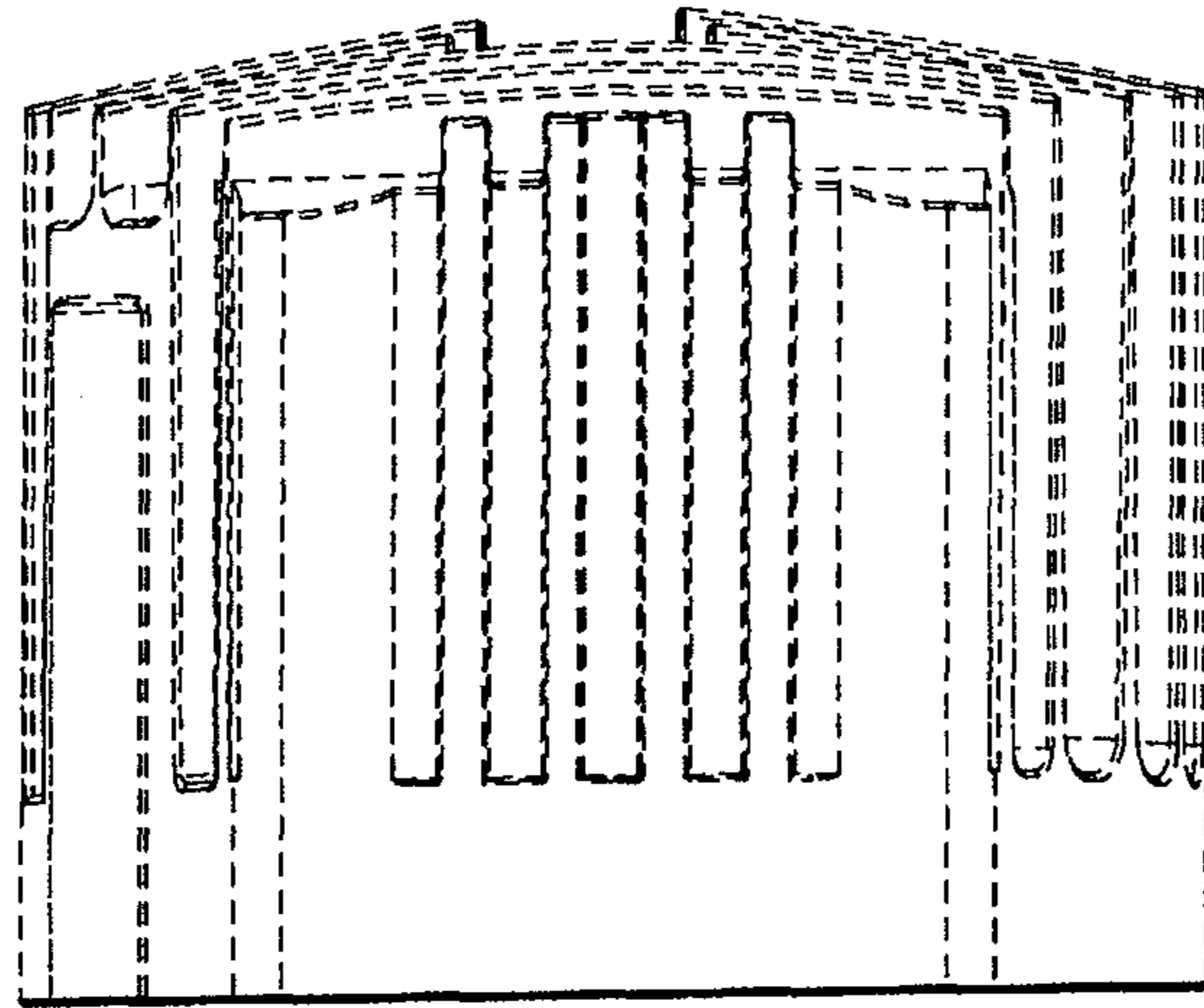


FIG. 6

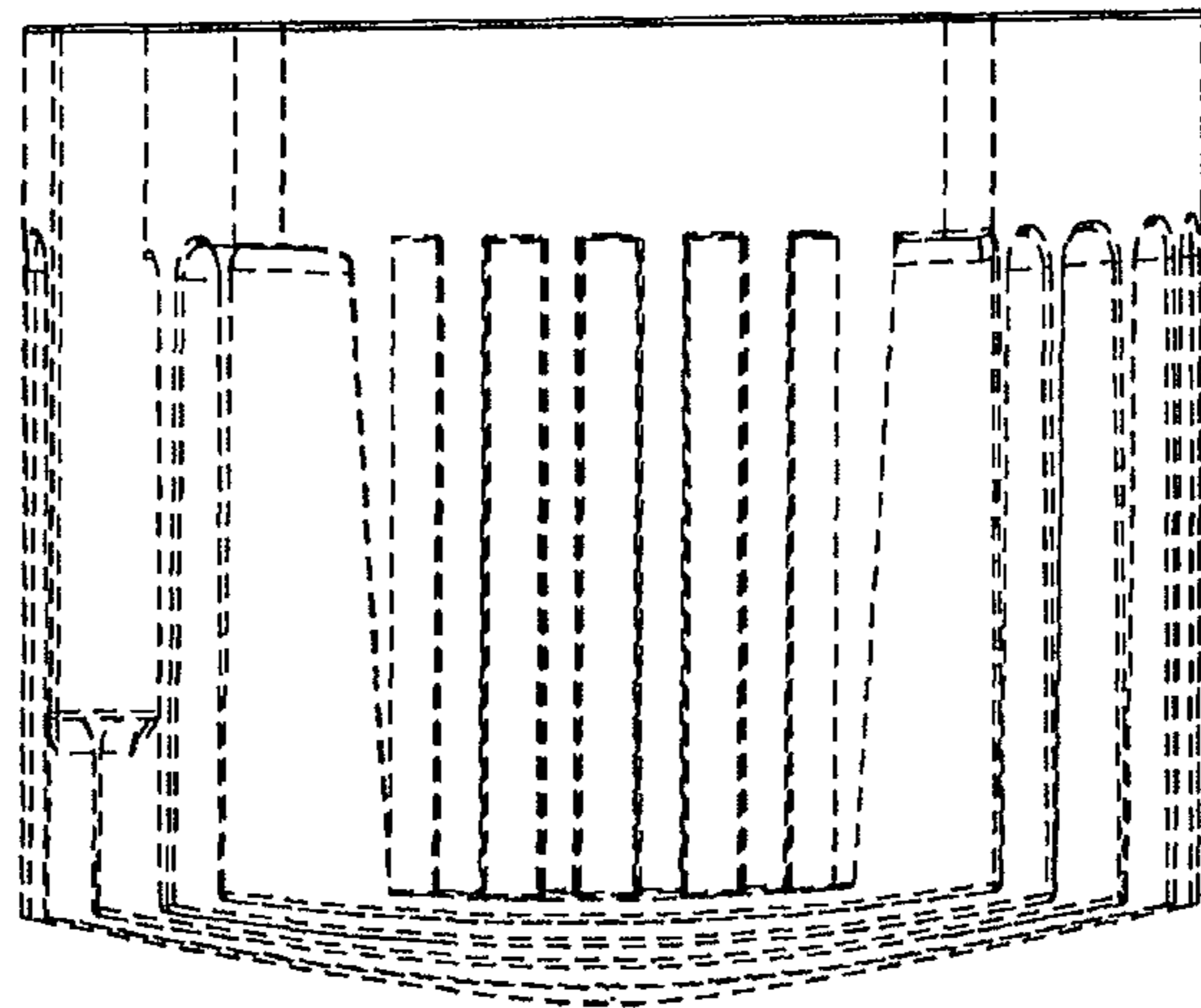


FIG. 7

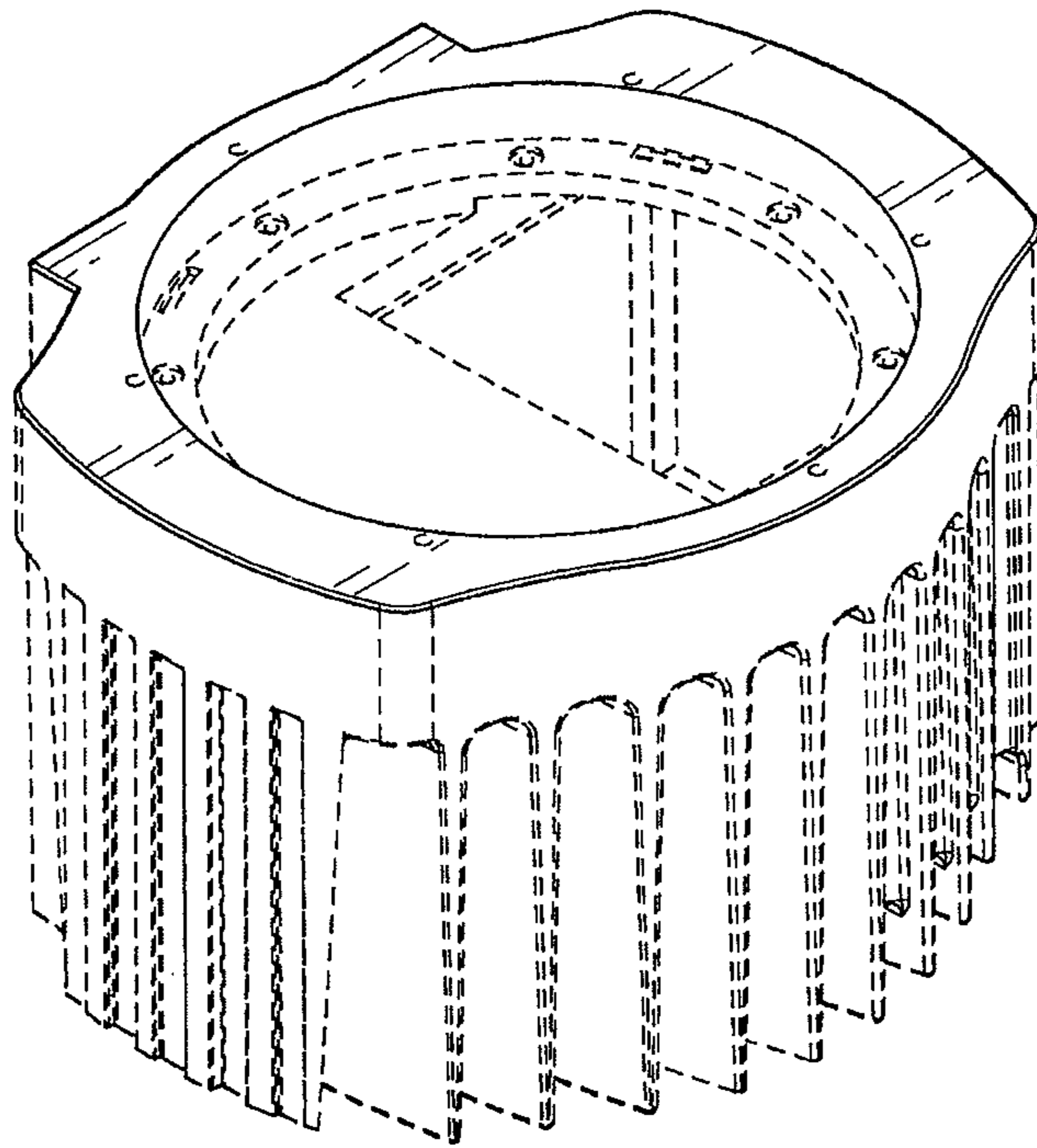


FIG. 8

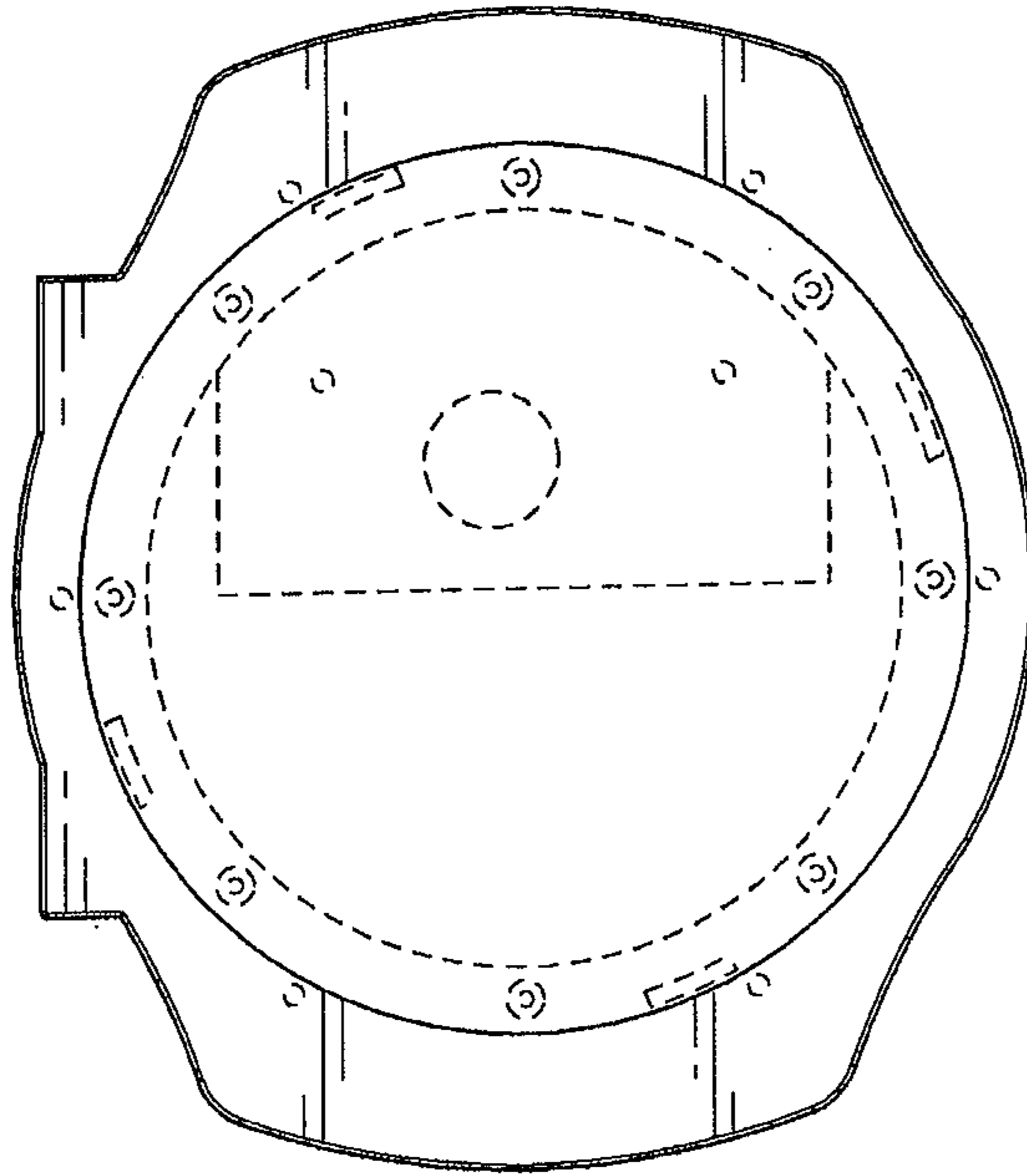


FIG. 9

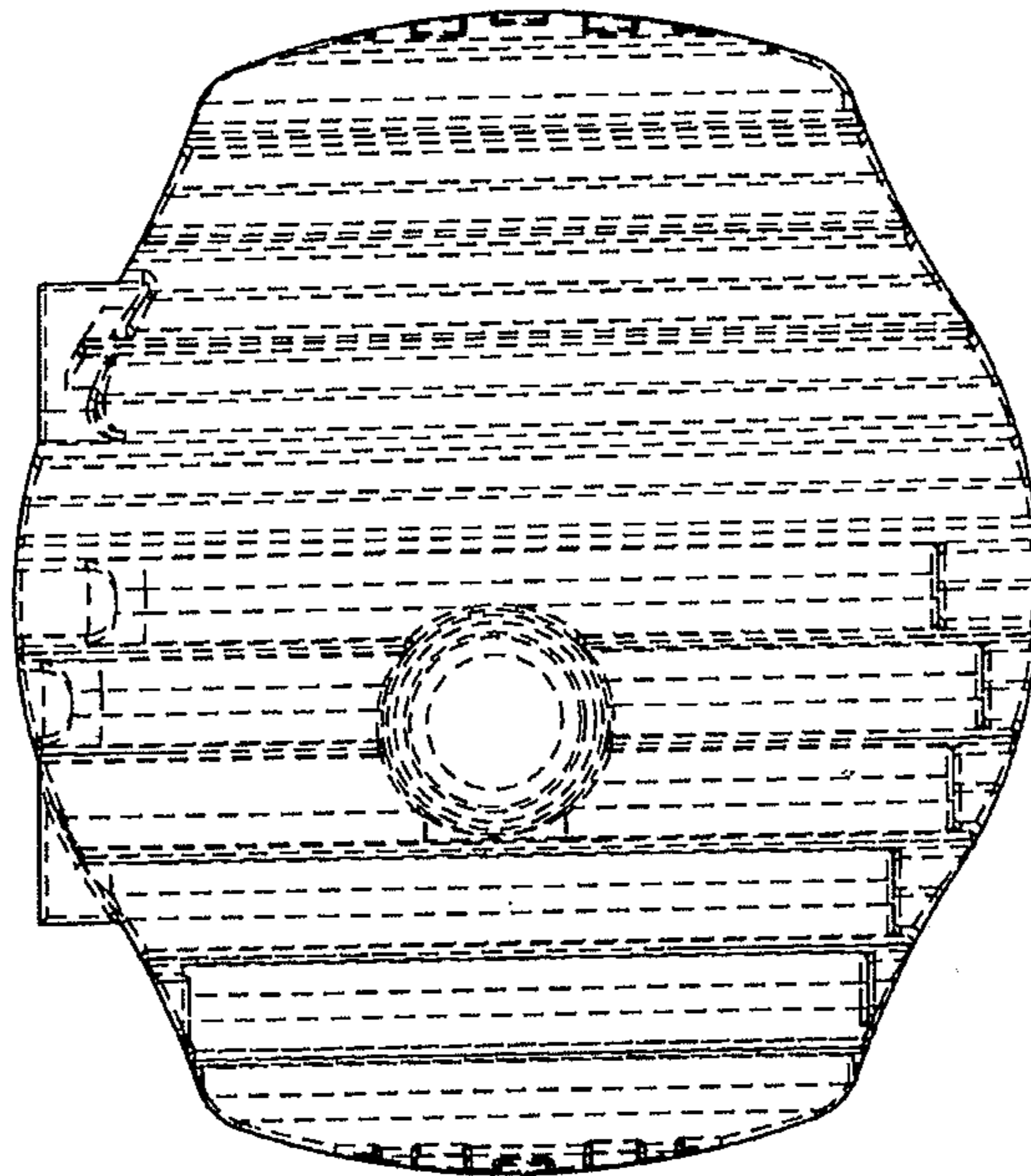


FIG. 10

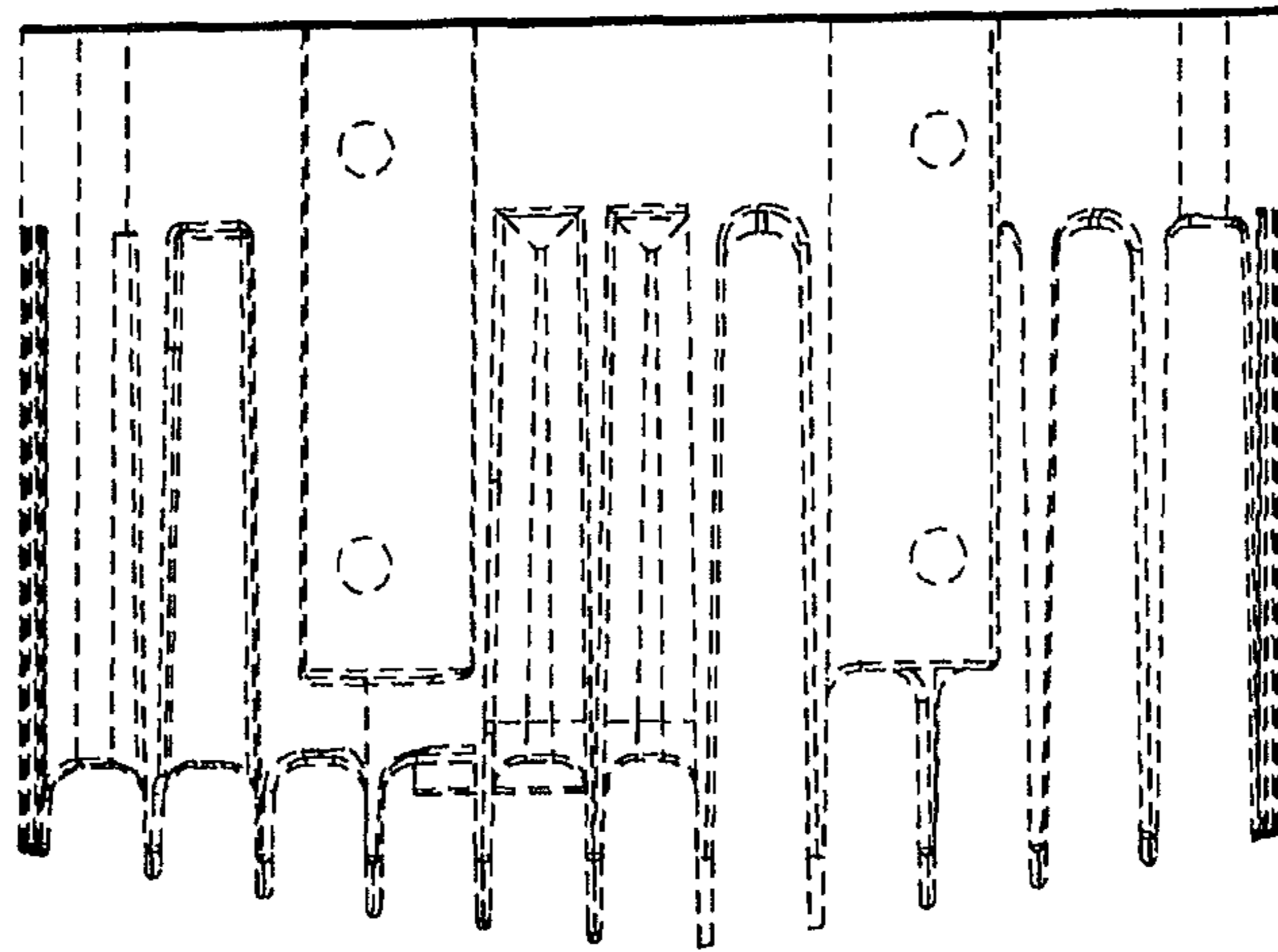


FIG. 11

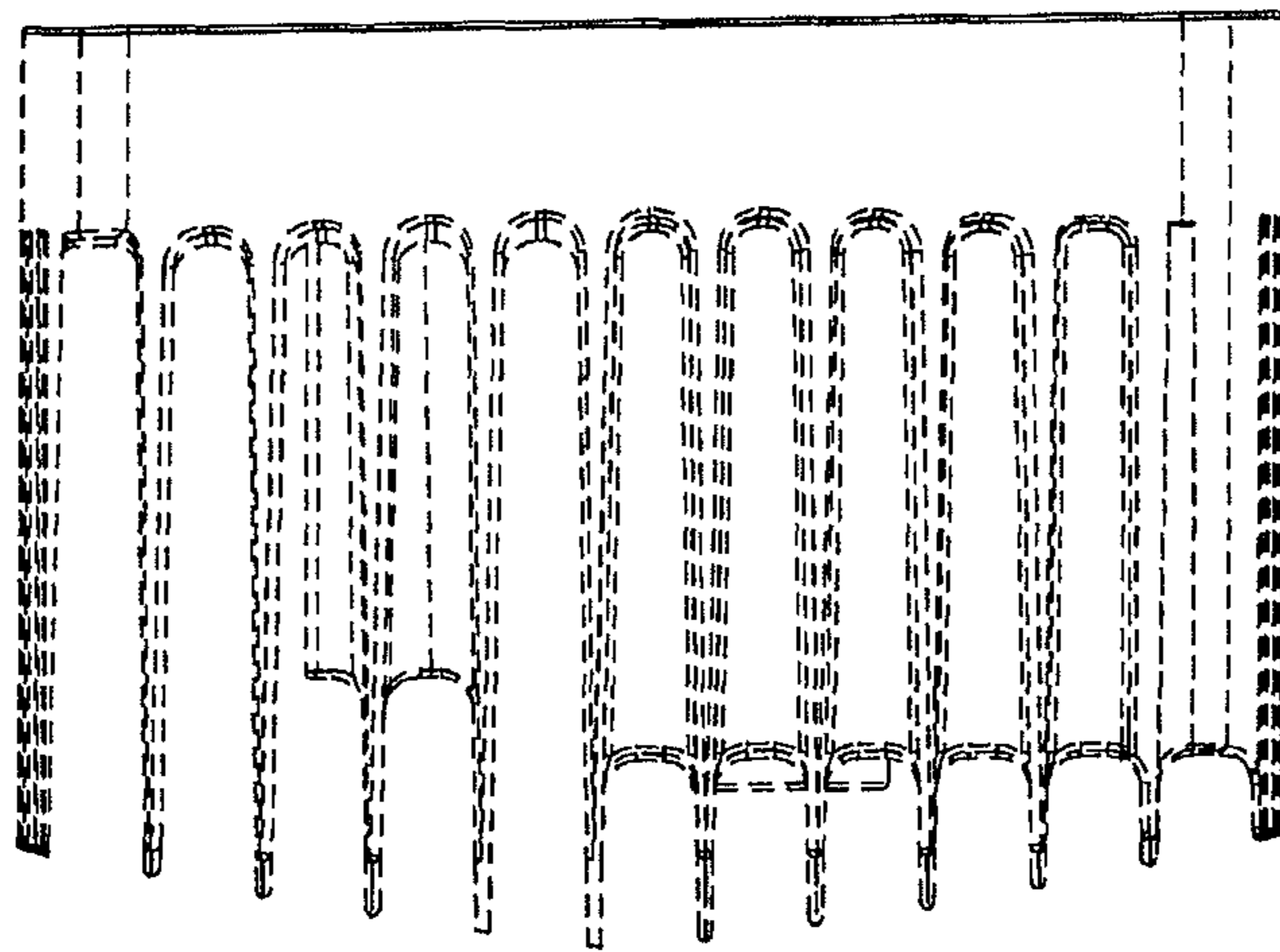


FIG. 12

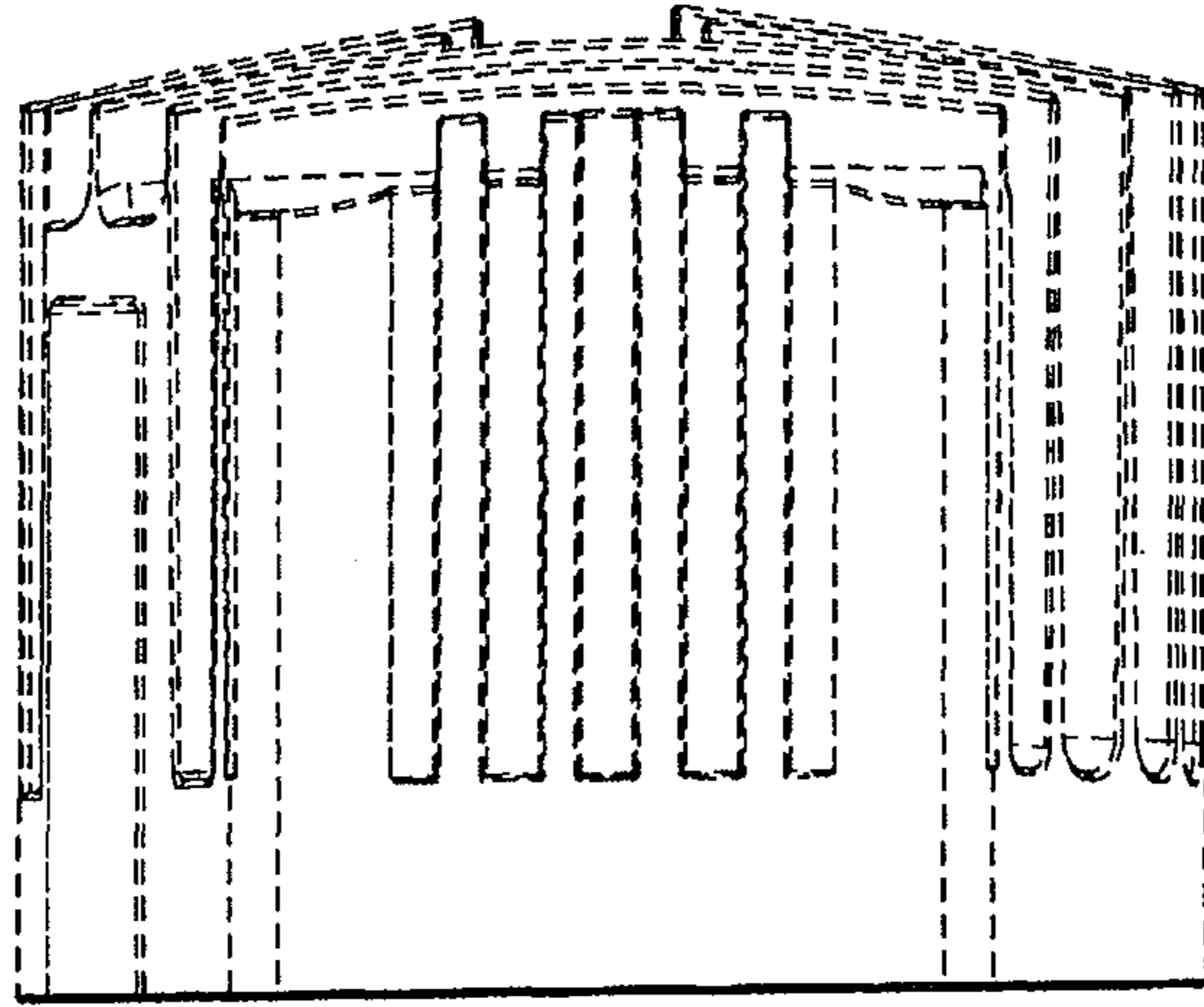


FIG. 13

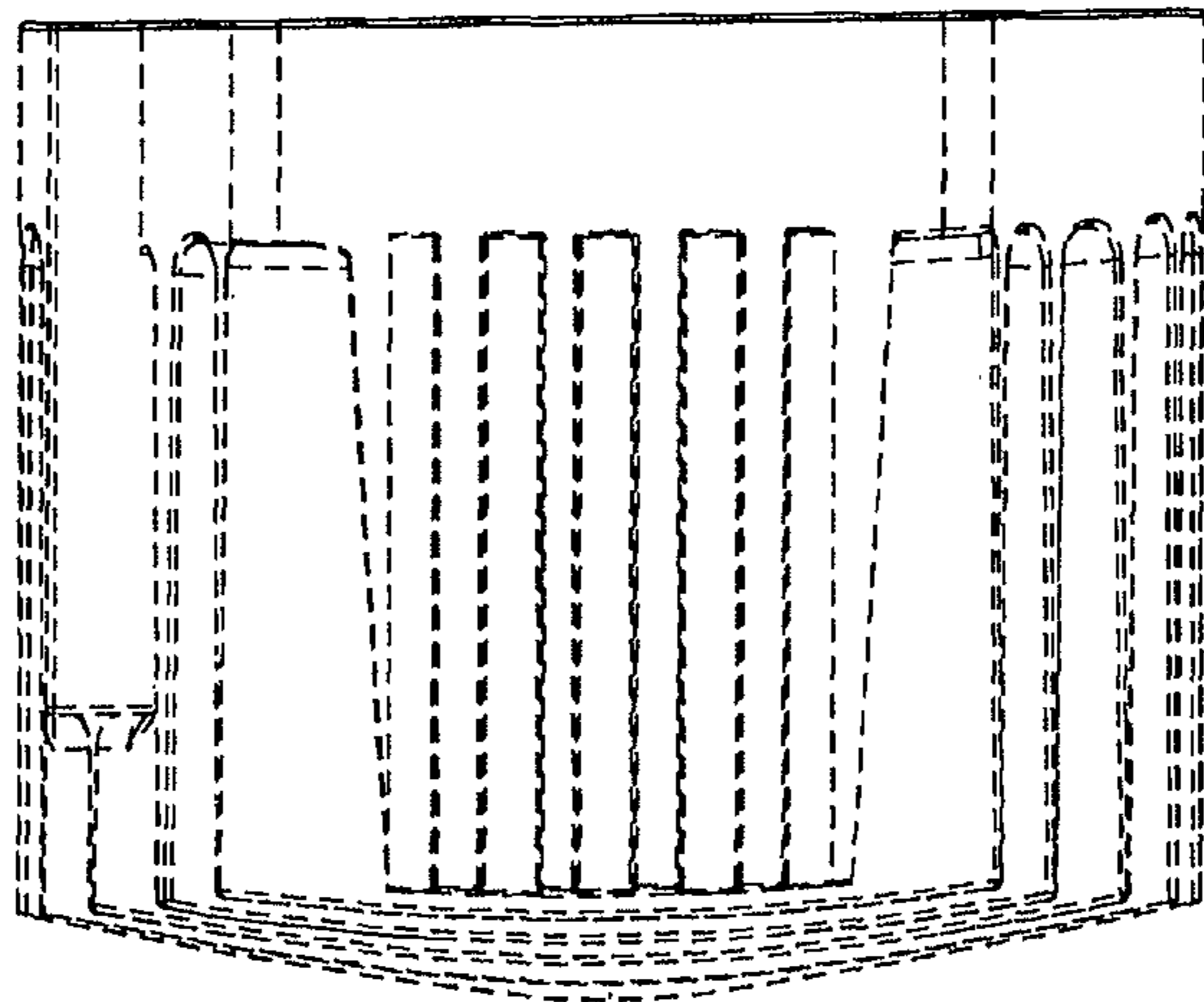


FIG. 14