

US00D699888S

(12) **United States Design Patent**  
**Webb et al.**

(10) **Patent No.:** **US D699,888 S**  
(45) **Date of Patent:** **\*\* Feb. 18, 2014**

(54) **LED BULB SHELL**

(56) **References Cited**

(75) Inventors: **Andrew Webb**, San Jose, CA (US);  
**David Titzler**, Palo Alto, CA (US);  
**Ronan Le Toquin**, Fremont, CA (US);  
**David Horn**, Saratoga, CA (US); **Travis**  
**Andrew Lee**, San Francisco, CA (US);  
**Jonathan Lefors**, San Francisco, CA  
(US); **Benjamin Kai Norman**  
**Robertson**, San Francisco, CA (US);  
**Brian Charles Rulifson**, Seattle, WA  
(US); **Stuart Kyle**, San Francisco, CA  
(US); **Alex Rochat**, Emeryville, CA  
(US); **Jeff Salazar**, Palo Alto, CA (US)

U.S. PATENT DOCUMENTS

D494,688 S *	8/2004	Van de Ven et al. ....	D26/2
D499,820 S *	12/2004	Foo .....	D26/2
D500,872 S *	1/2005	Foo .....	D26/2
D534,665 S *	1/2007	Egawa et al. ....	D26/2
D535,038 S *	1/2007	Egawa et al. ....	D26/2
D549,360 S *	8/2007	An .....	D26/2
D598,143 S *	8/2009	Gerritsen .....	D26/2
D602,614 S *	10/2009	Takahashi et al. ....	D26/2
D627,904 S *	11/2010	Jiang .....	D26/2
D628,315 S *	11/2010	Yamamoto et al. ....	D26/2
D629,535 S *	12/2010	Lee .....	D26/2
D634,033 S *	3/2011	Song et al. ....	D26/2
D634,451 S *	3/2011	de Visser .....	D26/2

(Continued)

OTHER PUBLICATIONS

Office Action received for Japanese Patent Application No. 2012-028252 mailed on Feb. 26, 2013, 3 pages (1 page of English Translation and 2 pages of Office Action).

*Primary Examiner* — Kevin Rudzinski

(74) *Attorney, Agent, or Firm* — Morrison & Foerster LLP

(73) Assignee: **Switch Bulb Company, Inc.**, San Jose, CA (US)

(\*\*) Term: **14 Years**

(21) Appl. No.: **29/422,390**

(22) Filed: **May 18, 2012**

(51) **LOC (10) Cl.** ..... **26-99**

(52) **U.S. Cl.**  
USPC ..... **D26/128**

(58) **Field of Classification Search**  
USPC ..... D26/154, 155, 152, 142, 151, 153, 113,  
D26/119, 122, 123, 124, 138, 139, 145, 148,  
D26/146, 147, 121, 125, 126, 74, 75, 144,  
D26/150, 141, 118, 120, 128, 129, 132, 135,  
D26/71, 72, 85, 62, 65, 64, 24, 1, 2, 66, 67,  
D26/68, 73, 89, 86, 87, 88, 25, 26, 61, 63,  
D26/69, 76, 77, 78, 79, 90, 91, 84, 92, 49,  
D26/37, 38, 39; D13/179, 180, 171, 173;  
D11/90, 121, 89; 63/32; 362/253, 257,  
362/333, 326, 169, 187, 307, 327, 308, 309,  
362/362, 337, 208, 158; 16/442; 359/708,  
359/641, 726; D6/581; D9/452, 435, 453,  
D9/443

See application file for complete search history.

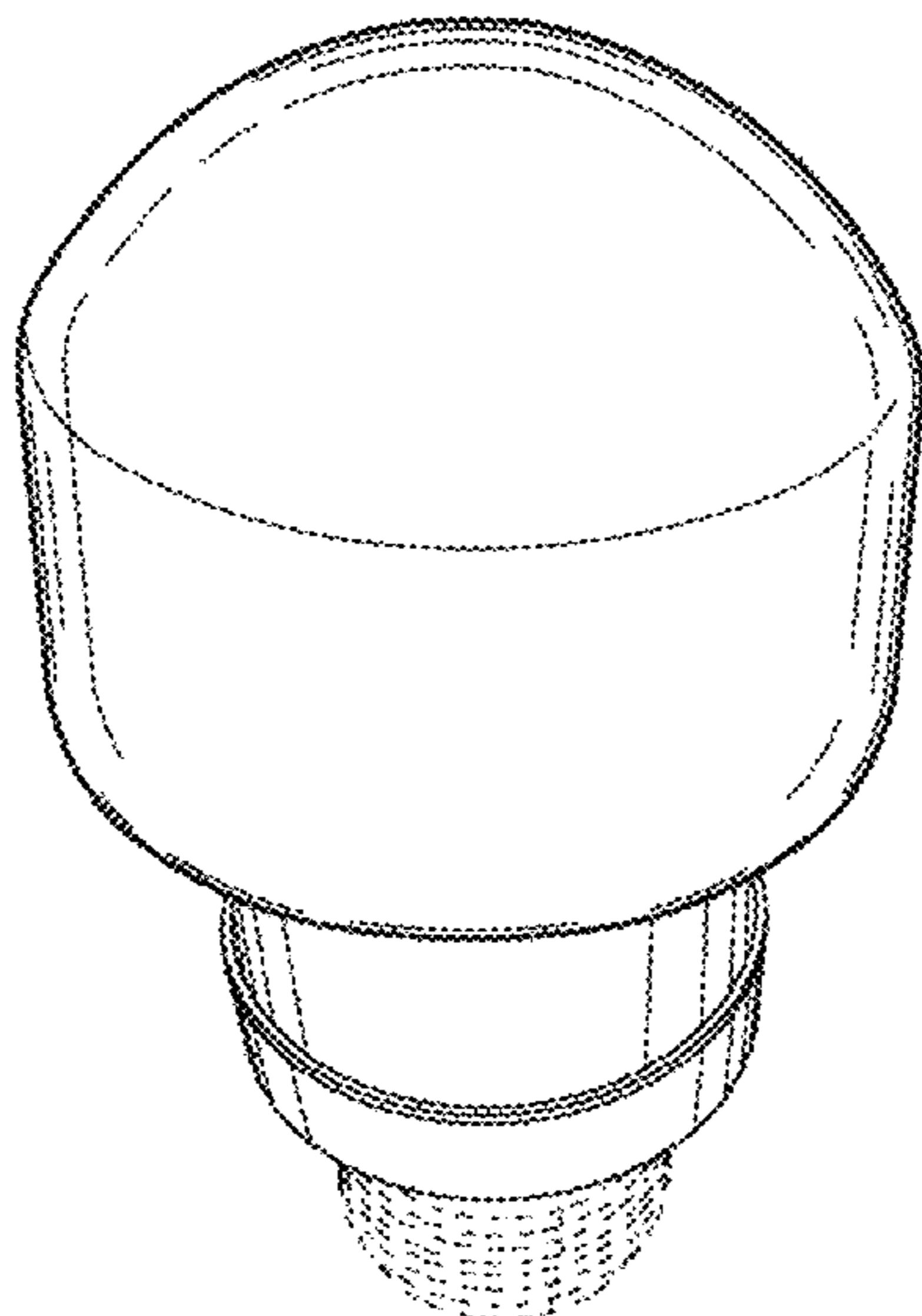
(57) **CLAIM**

The ornamental design for an LED bulb shell, as shown and described.

**DESCRIPTION**

FIG. 1 is a perspective view of an LED bulb shell;  
FIG. 2 is a side view thereof;  
FIG. 3 is a top view thereof; and,  
FIG. 4 is a bottom view thereof.  
The broken lines illustrating portions of the LED bulb form no part of the claimed design.

**1 Claim, 3 Drawing Sheets**



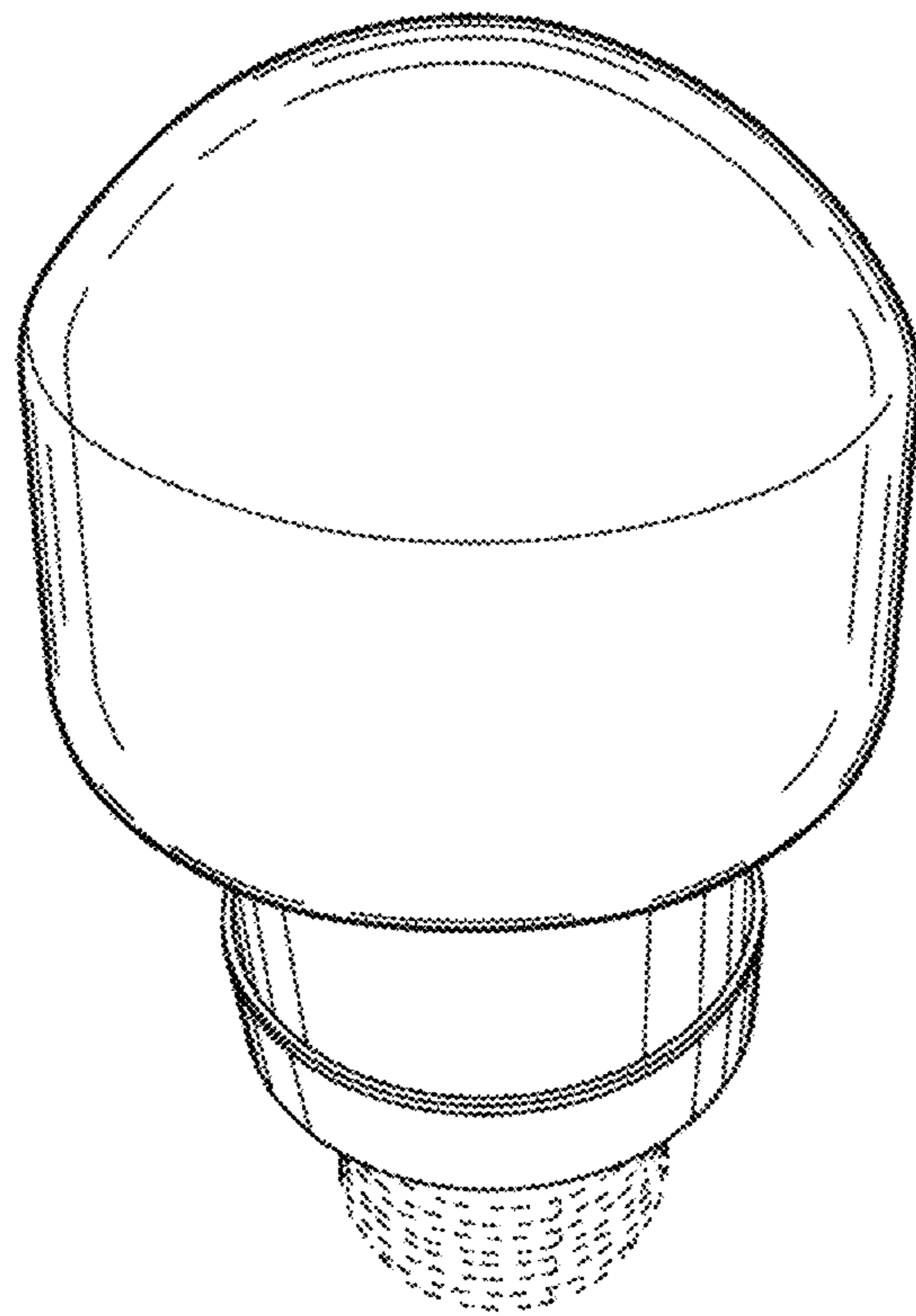
(56)

**References Cited**

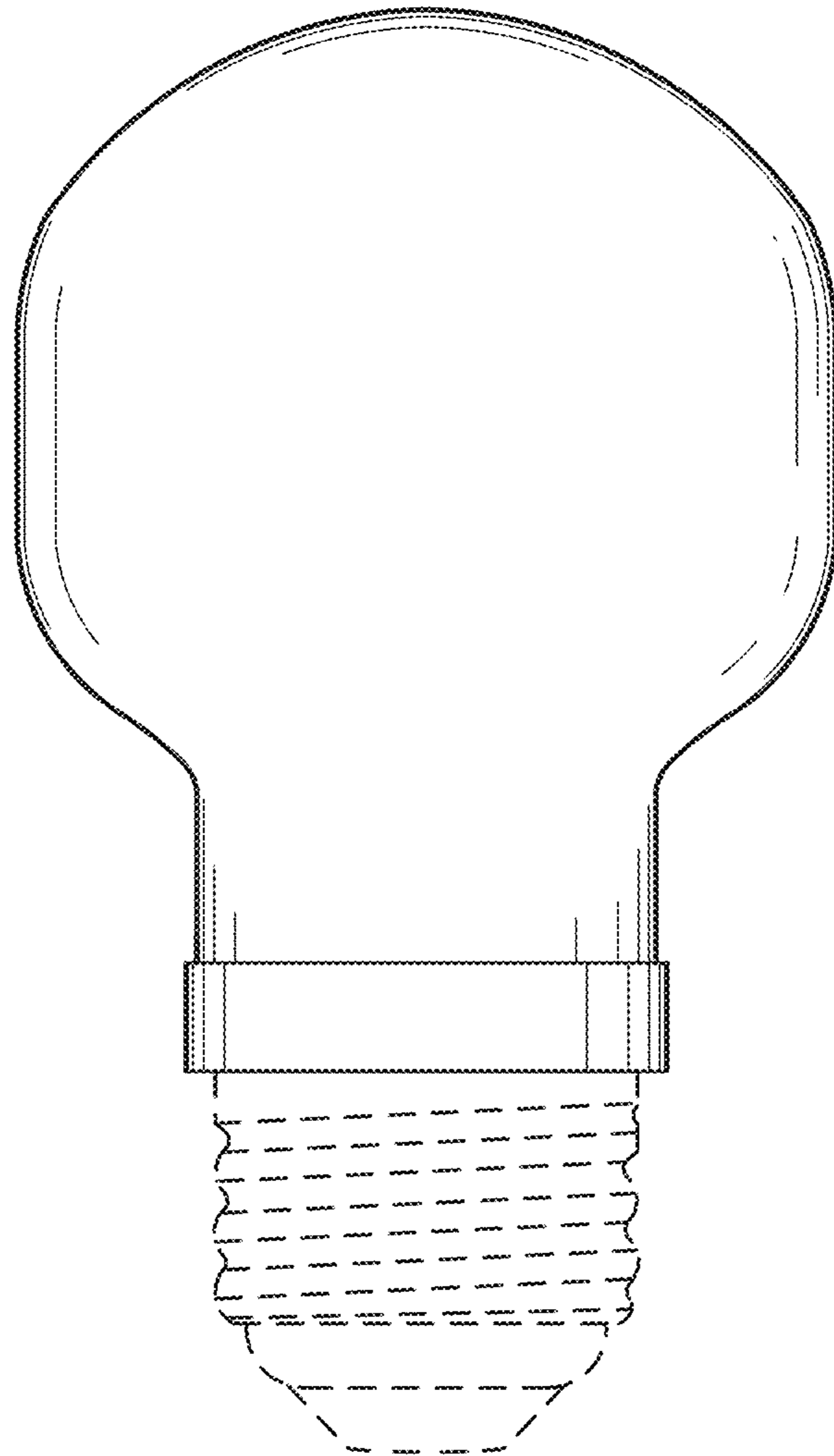
U.S. PATENT DOCUMENTS

D640,804 S *	6/2011	Vamos .....	D26/2	D660,467 S *	5/2012	Yamamoto et al. ....	D26/2
D644,356 S *	8/2011	Pickard .....	D26/2	D660,468 S *	5/2012	Mase et al. ....	D26/2
D644,763 S *	9/2011	Murakami et al. ....	D26/2	D662,234 S *	6/2012	Zhou .....	D26/2
D645,995 S *	9/2011	Wey et al. ....	D26/2	D663,868 S *	7/2012	Kim et al. ....	D26/2
D646,806 S *	10/2011	Li et al. ....	D26/2	D663,869 S *	7/2012	Choi et al. ....	D26/2
D648,458 S *	11/2011	Kim et al. ....	D26/2	D668,797 S *	10/2012	Xu .....	D26/2
D648,463 S *	11/2011	Kim et al. ....	D26/2	D674,926 S *	1/2013	Shimizu .....	D26/2
D651,327 S *	12/2011	Hsiao et al. ....	D26/2	2005/0162864 A1 *	7/2005	Verdes et al. ....	362/555
D658,789 S *	5/2012	Gielen et al. ....	D26/2	2005/0174769 A1 *	8/2005	Yong et al. ....	362/235
				2006/0034077 A1 *	2/2006	Chang .....	362/227
				2006/0092640 A1 *	5/2006	Li .....	362/294

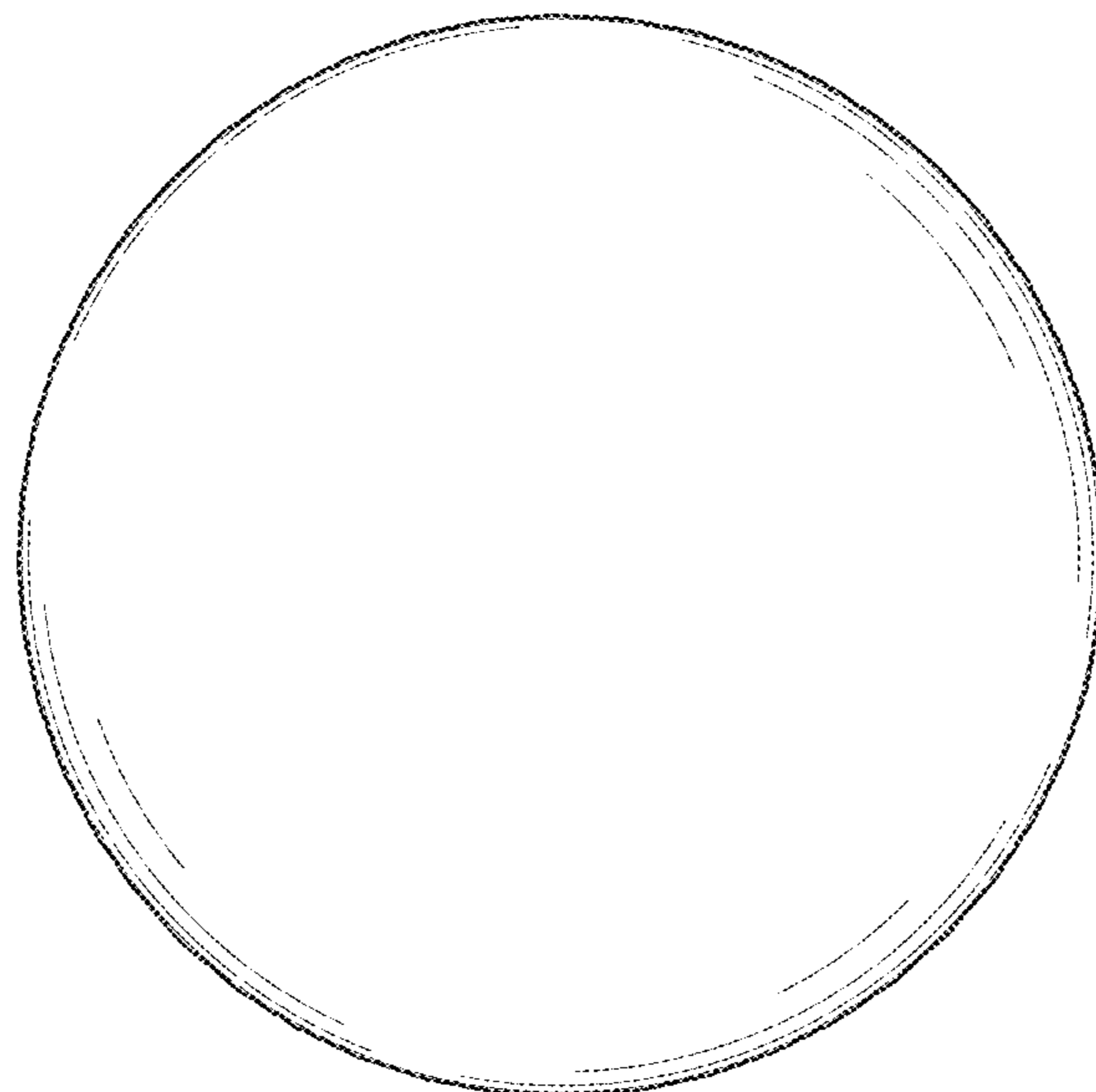
\* cited by examiner



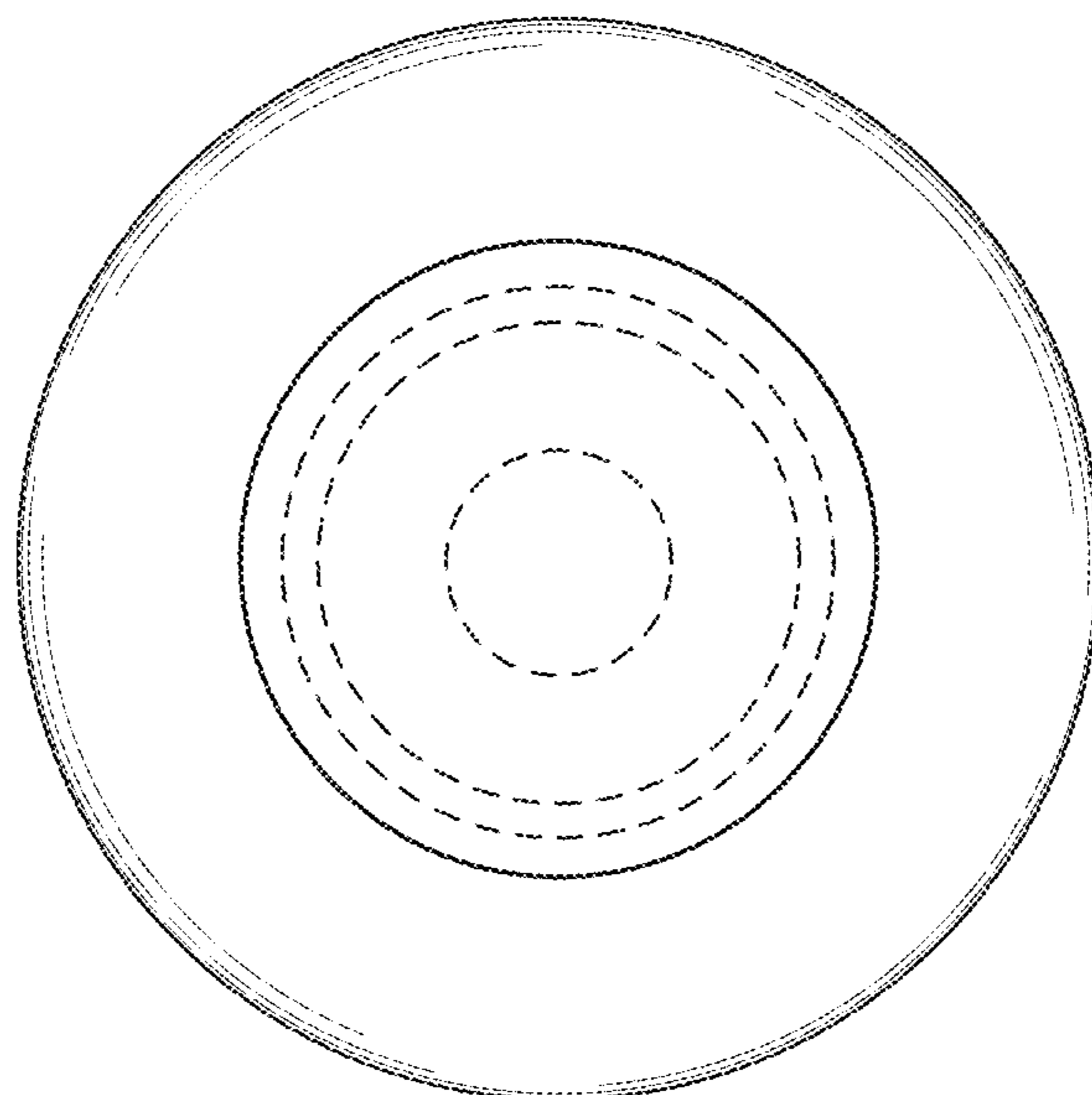
*FIG. 1*



*FIG. 2*



*FIG. 3*



*FIG. 4*