



US00D699886S

(12) **United States Design Patent**
Wilke et al.

(10) **Patent No.:** **US D699,886 S**
(45) **Date of Patent:** **** Feb. 18, 2014**

(54) **LED LIGHT FIXTURE**

DESCRIPTION

(75) Inventors: **Christopher Wilke**, Louisville, CO (US); **Jeffrey Bisberg**, Boulder, CO (US); **Neil Cannon**, Eldorado Springs, CO (US); **Peter Van Lannen**, Boulder, CO (US)
(73) Assignee: **Albeo Technologies, Inc.**, Boulder, CO (US)
(**) Term: **14 Years**
(21) Appl. No.: **29/391,284**
(22) Filed: **May 5, 2011**
(51) **LOC (10) Cl.** **26-99**
(52) **U.S. Cl.**
USPC **D26/113**
(58) **Field of Classification Search**
USPC D26/25, 24, 26, 28, 113, 118, 119, 120, D26/64, 65, 72, 74, 75, 73, 68, 69, 70, 71, D26/152, 153, 154, 122, 123, 145, 155, 121, D26/138, 139, 86, 85, 87, 89, 66, 67, 76, 77, D26/78, 84, 88, 95, 96, 124, 125, 126, 227, D26/128, 129, 146, 144, 130, 151, 142, 143, D26/140, 141, 45, 38, 39, 1, 2, 3, 127; 362/362, 326, 373, 623, 600, 371, 297, 362/294, 249.01, 249.03–249.05, 218; D10/111, 113.1, 114.1; 257/88; D13/179, 180
See application file for complete search history.

(56) **References Cited**

U.S. PATENT DOCUMENTS

D117,643 S * 11/1939 Stewart D26/77
D149,655 S * 5/1948 Lindahl D26/77

(Continued)

Primary Examiner — Kevin Rudzinski

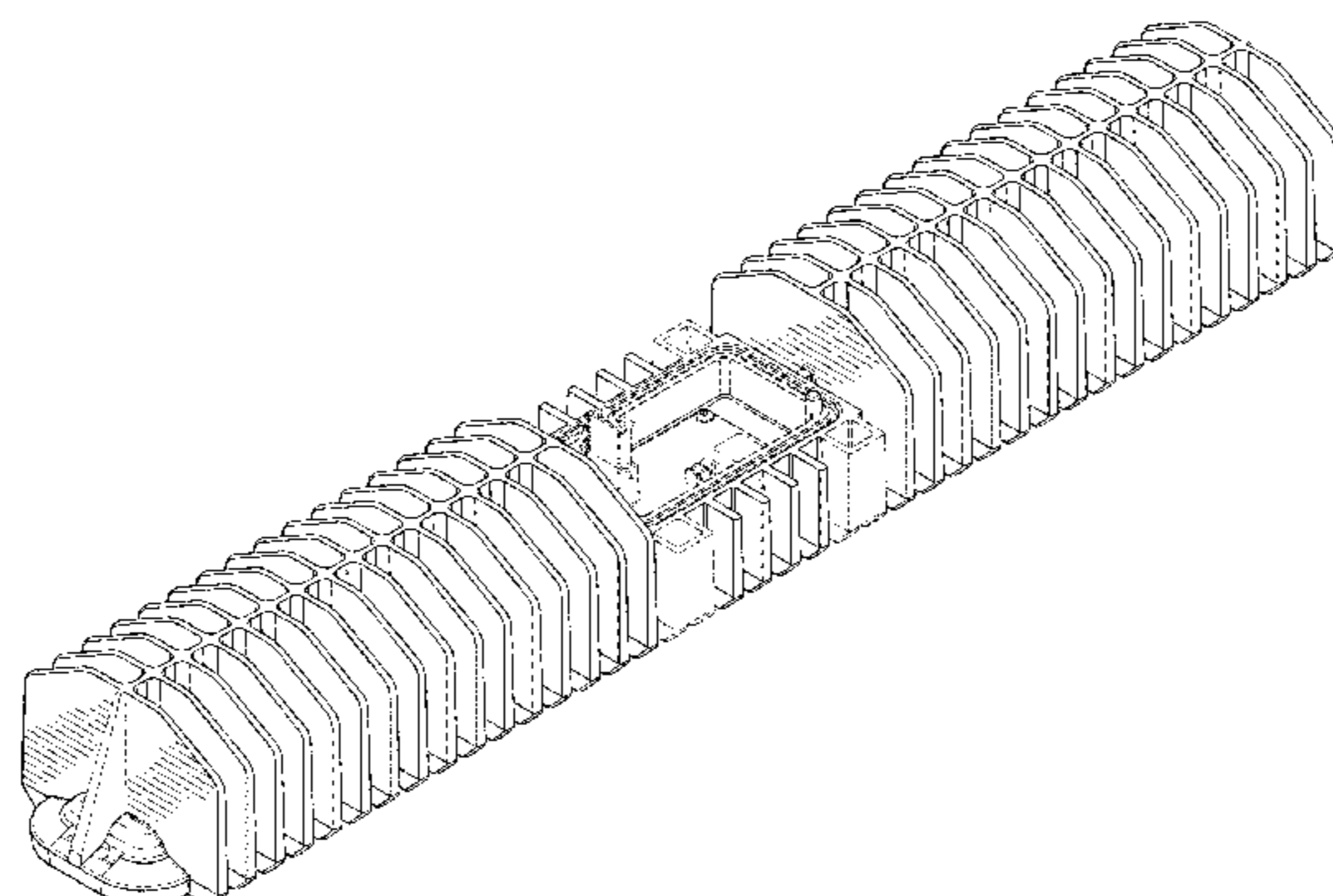
(74) *Attorney, Agent, or Firm* — Lathrop & Gage LLP

(57) **CLAIM**

The ornamental design for an LED light fixture, as shown and described.

FIG. 1 is a perspective view of a first embodiment of the LED light fixture, showing the new design;
FIG. 2 is a top plan view of the first embodiment of the LED light fixture;
FIG. 3 is a bottom plan view of the first embodiment of the LED light fixture;
FIG. 4 is a side elevation of the first embodiment of the LED light fixture, an opposing side elevation of the LED light fixture being identical;
FIG. 5 is an end elevation of the first embodiment of the LED light fixture, an opposing end elevation of the LED light fixture being identical;
FIG. 6 is a perspective view of a second embodiment of the LED light fixture, showing the new design;
FIG. 7 is a top plan view of the second embodiment of the LED light fixture;
FIG. 8 is a bottom plan view of the second embodiment of the LED light fixture;
FIG. 9 is a side elevation of the second embodiment of the LED light fixture, an opposing side elevation of the LED light fixture being identical;
FIG. 10 is an end elevation of the second embodiment of the LED light fixture, an opposing end elevation of the LED light fixture being identical;
FIG. 11 is a perspective view of a third embodiment of the LED light fixture, showing the new design;
FIG. 12 is a top plan view of the third embodiment of the LED light fixture;
FIG. 13 is a bottom plan view of the third embodiment of the LED light fixture;
FIG. 14 is a side elevation of the third embodiment of the LED light fixture, an opposing side elevation of the LED light fixture being identical; and,
FIG. 15 is an end elevation of the third embodiment of the LED light fixture, an opposing end elevation of the LED light fixture being identical.
The broken lines shown in the drawings illustrate environmental structures that form no part of the claimed design.

1 Claim, 15 Drawing Sheets



(56)

References Cited

U.S. PATENT DOCUMENTS

D158,687	S *	5/1950	Raben	D26/77	7,535,030	B2 *	5/2009	Lin	257/99
2,946,880	A *	7/1960	Picha et al.	362/224	7,665,866	B2 *	2/2010	Mayer et al.	362/297
D190,922	S *	7/1961	Anthony	D26/24	D620,459	S *	7/2010	Huang et al.	D13/179
D245,536	S *	8/1977	Segil	D26/121	D621,968	S *	8/2010	Schultz	D26/1
D315,832	S *	4/1991	Rocheleau et al.	D13/179	7,813,131	B2 *	10/2010	Liang	361/704
5,117,342	A *	5/1992	Vlah	362/260	D629,958	S *	12/2010	Kong et al.	D26/118
D328,057	S *	7/1992	Prager et al.	D13/110	D633,230	S *	2/2011	Chen	D26/24
D338,449	S *	8/1993	Sahyoun	D13/179	D641,908	S *	7/2011	McKee	D26/71
D378,915	S *	4/1997	Widmayer et al.	D13/179	7,972,035	B2 *	7/2011	Boyer	362/289
D381,011	S *	7/1997	Widmayer et al.	D13/179	D643,960	S *	8/2011	Waldmann	D26/74
6,046,908	A *	4/2000	Feng	361/707	D661,008	S *	5/2012	Yuan	D26/74
D426,195	S *	6/2000	Kuo	D13/179	D676,185	S *	2/2013	Piepgras et al.	D26/113
D480,172	S *	9/2003	Herst et al.	D26/121	2009/0052177	A1 *	2/2009	Lin et al.	362/249
D533,958	S *	12/2006	Herst et al.	D26/121	2009/0196037	A1 *	8/2009	Xiao et al.	362/249.03
D561,931	S *	2/2008	Hukle et al.	D26/120	2010/0002438	A1 *	1/2010	Zhang et al.	362/249.02
D578,696	S *	10/2008	Wang et al.	D26/70	2010/0053966	A1 *	3/2010	Tu et al.	362/249.02
						2010/0110679	A1 *	5/2010	Teng et al.	362/235
						2010/0296287	A1 *	11/2010	Huang	362/249.02

* cited by examiner

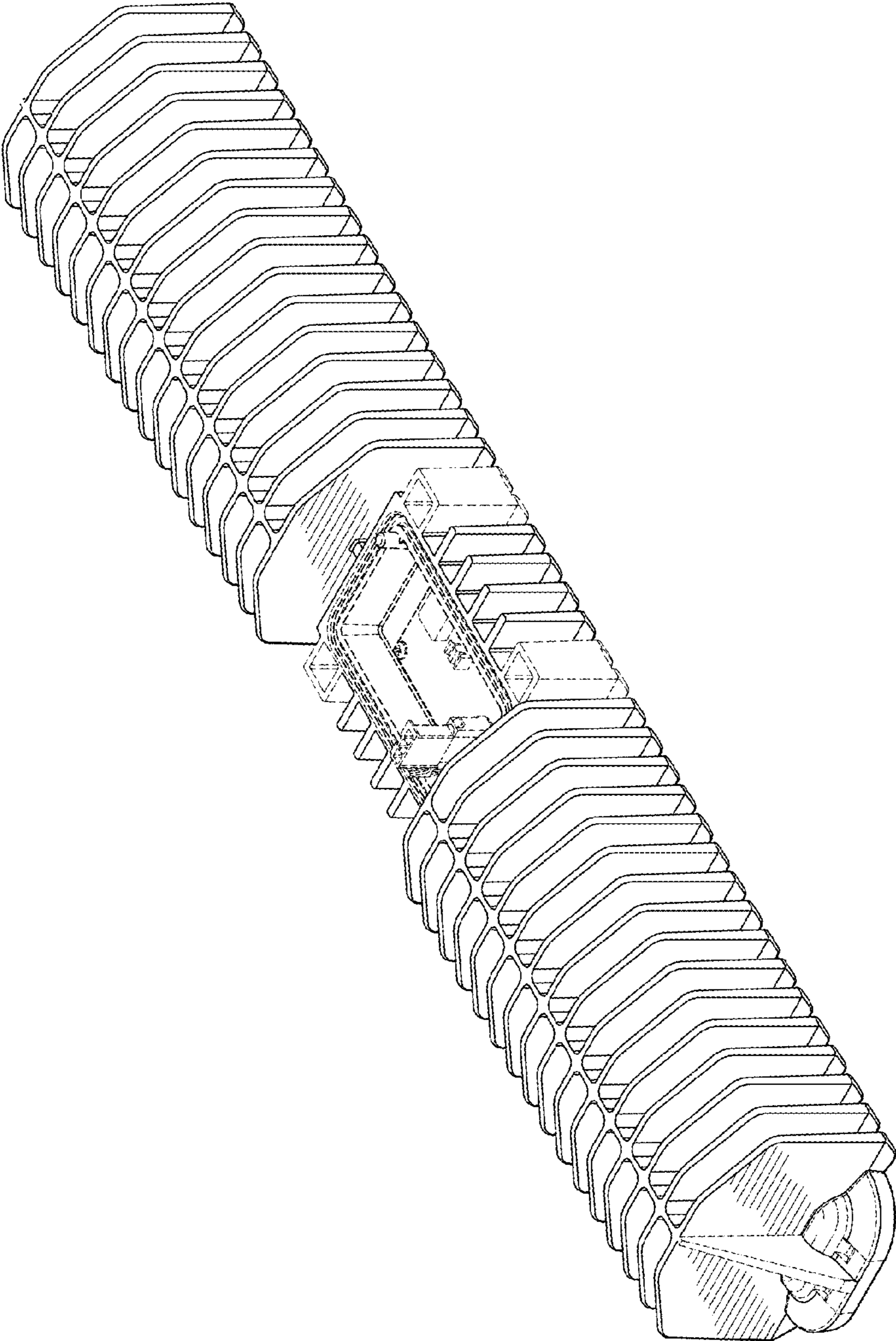


FIG. 1

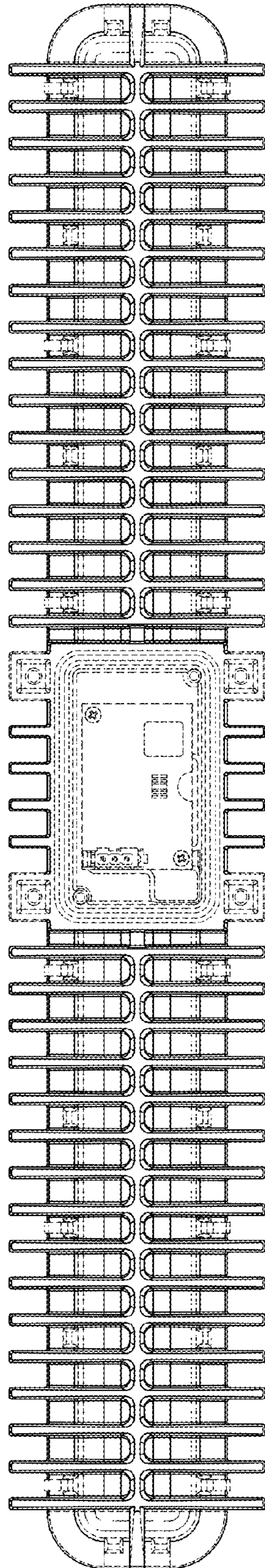


FIG. 2

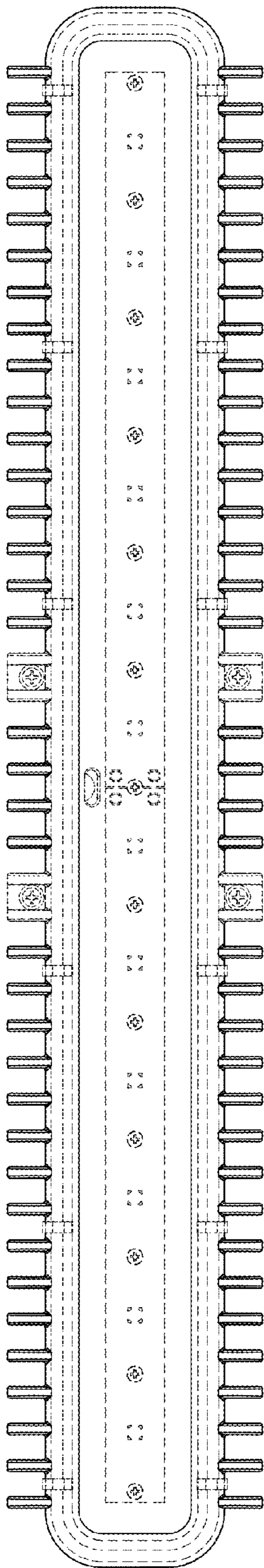


FIG. 3

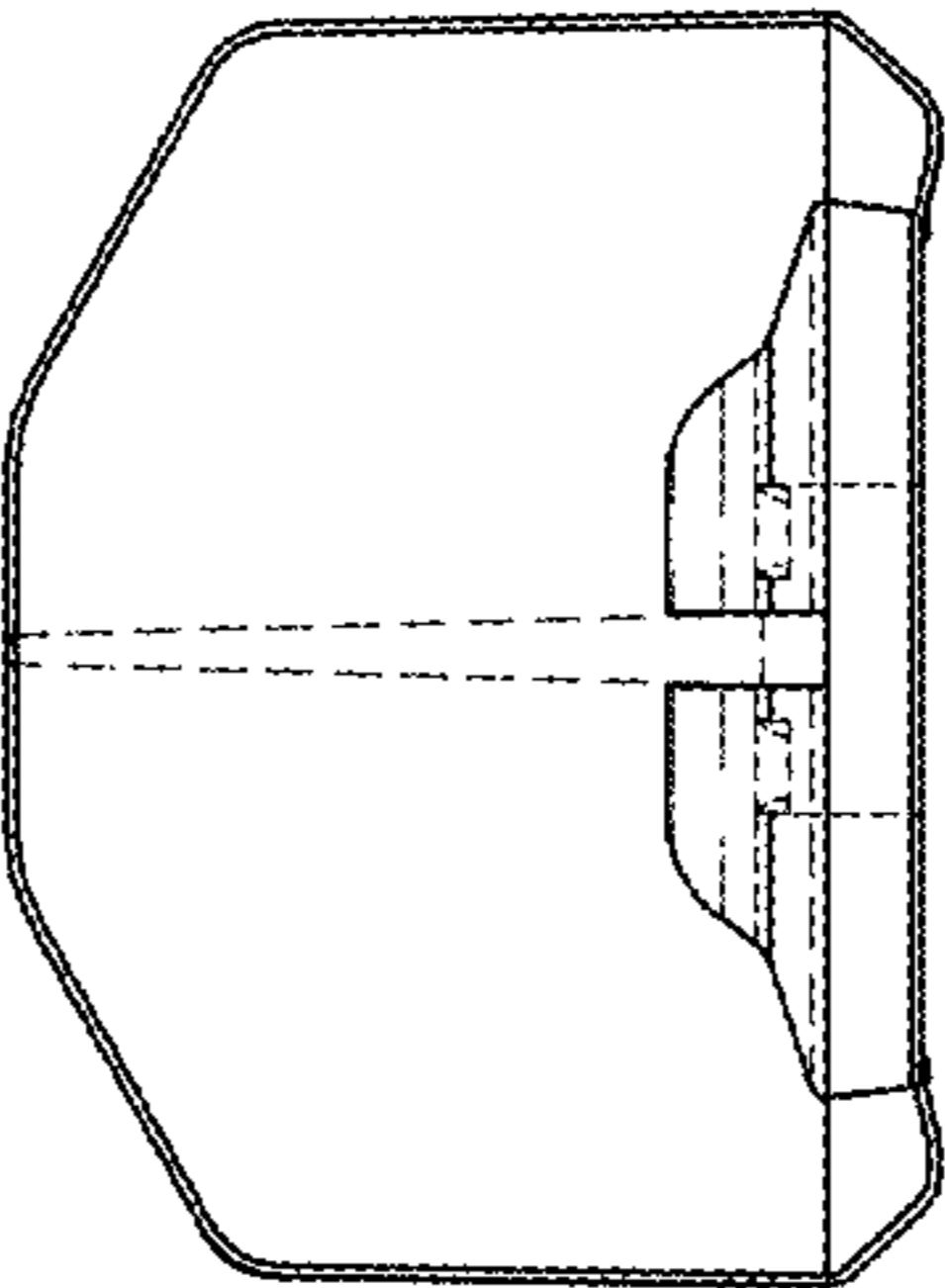


FIG. 4

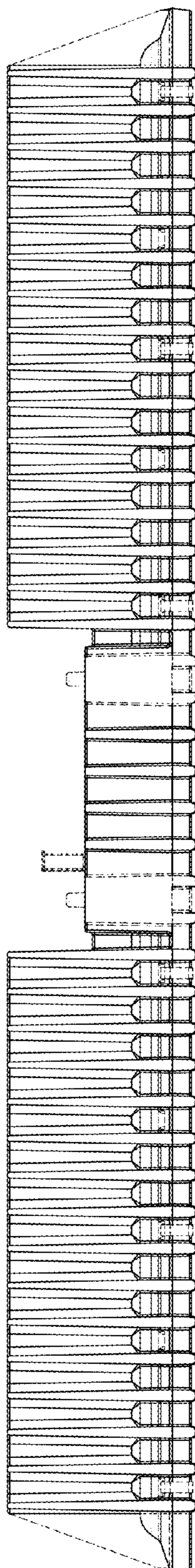


FIG. 5

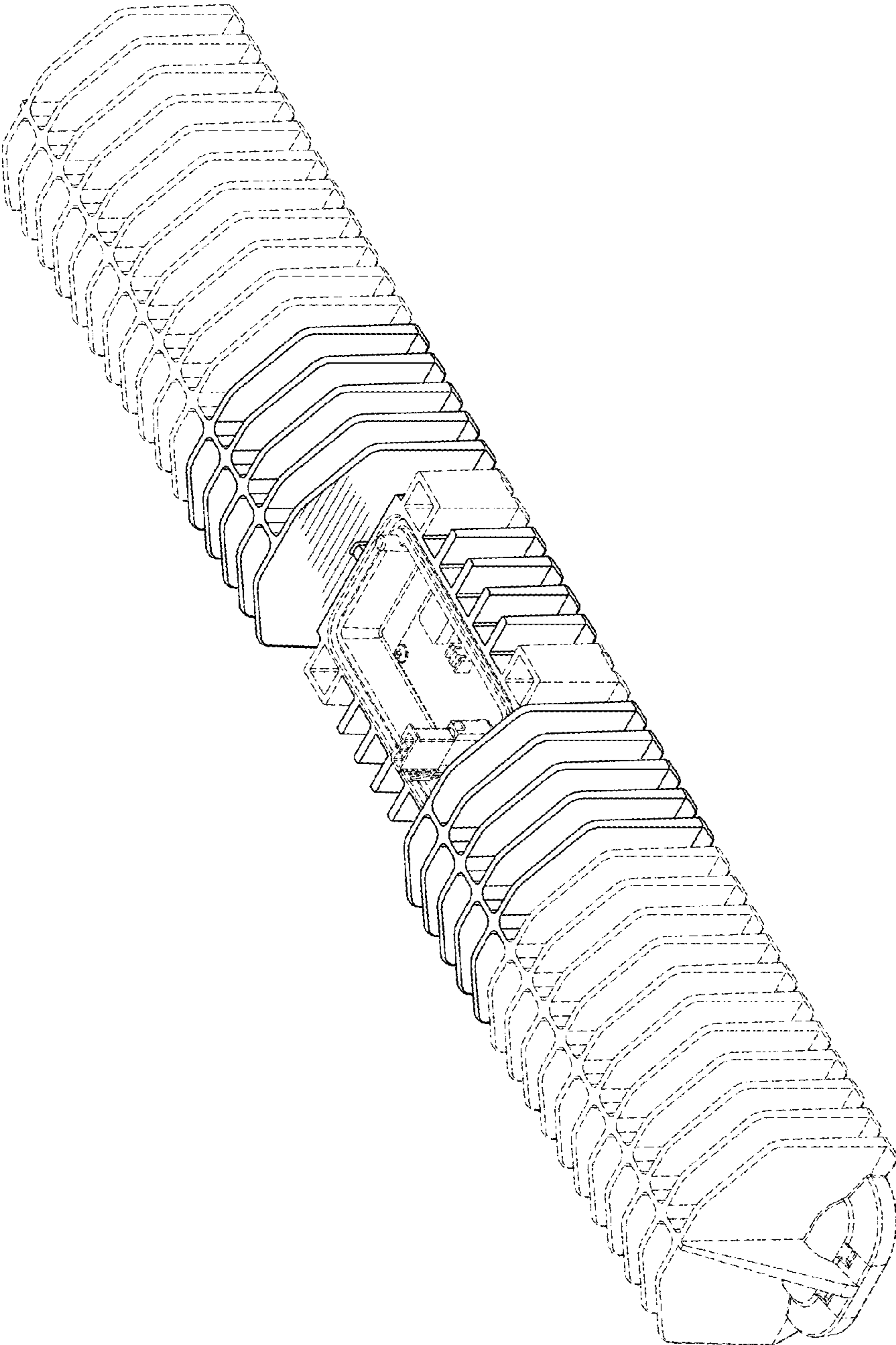


FIG. 6

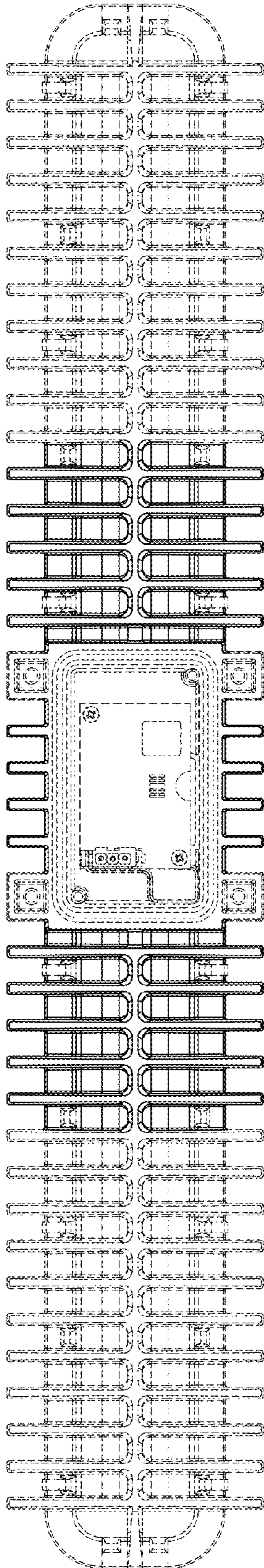


FIG. 7

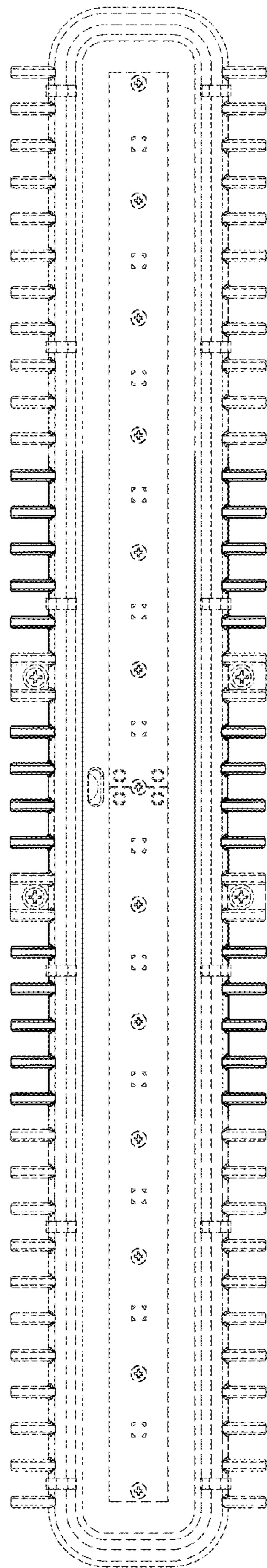


FIG. 8

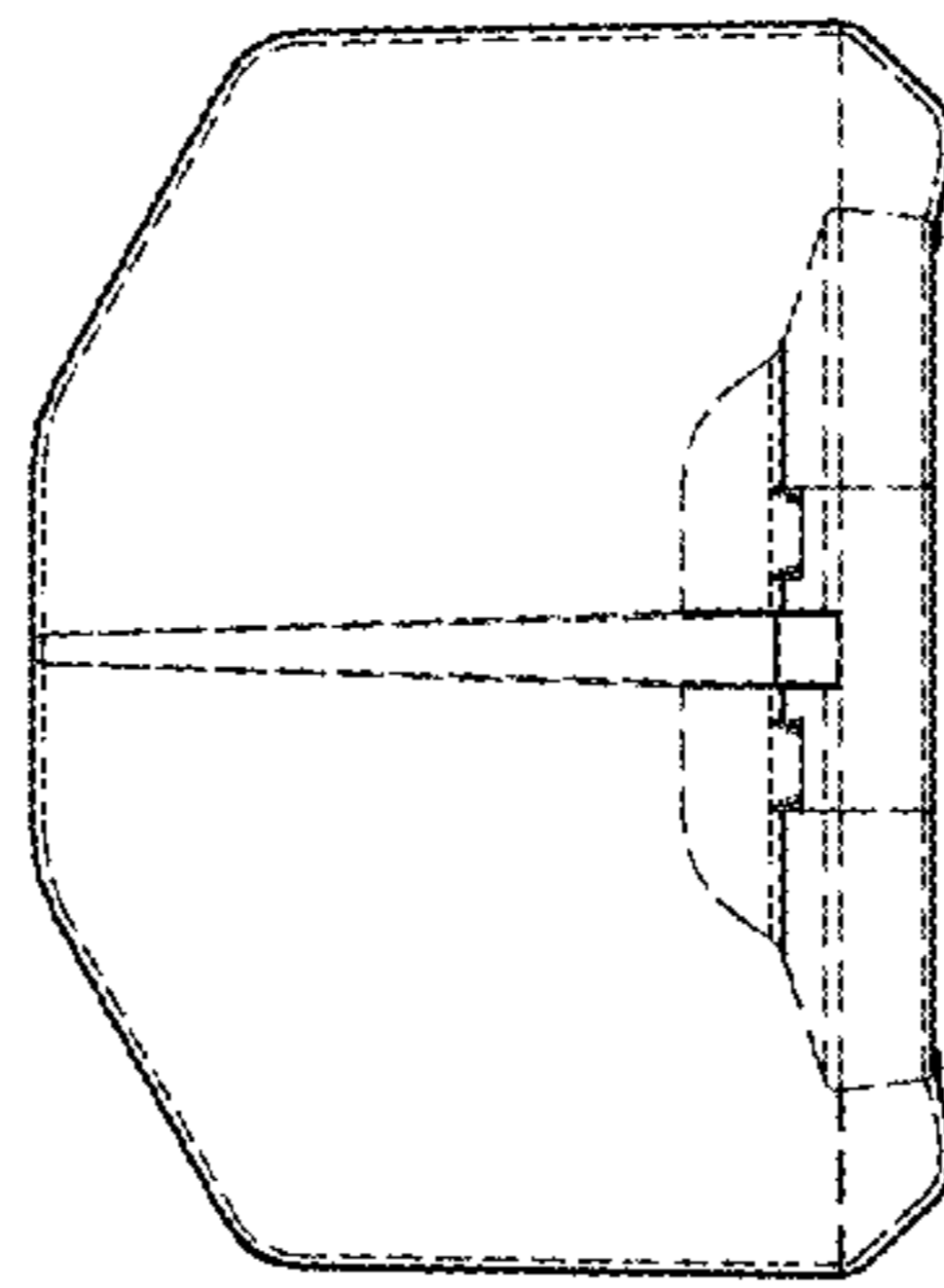


FIG. 9

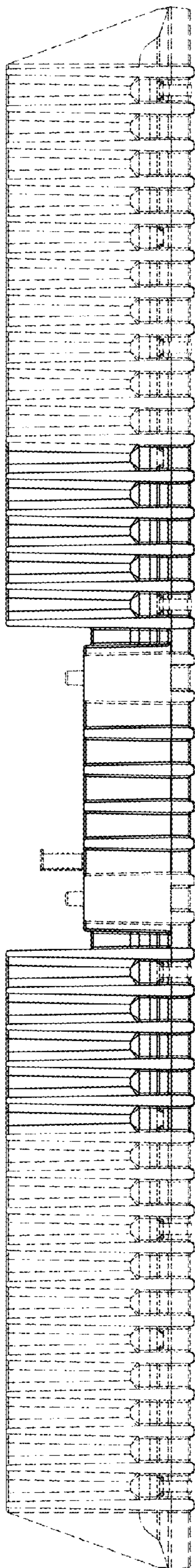


FIG. 10

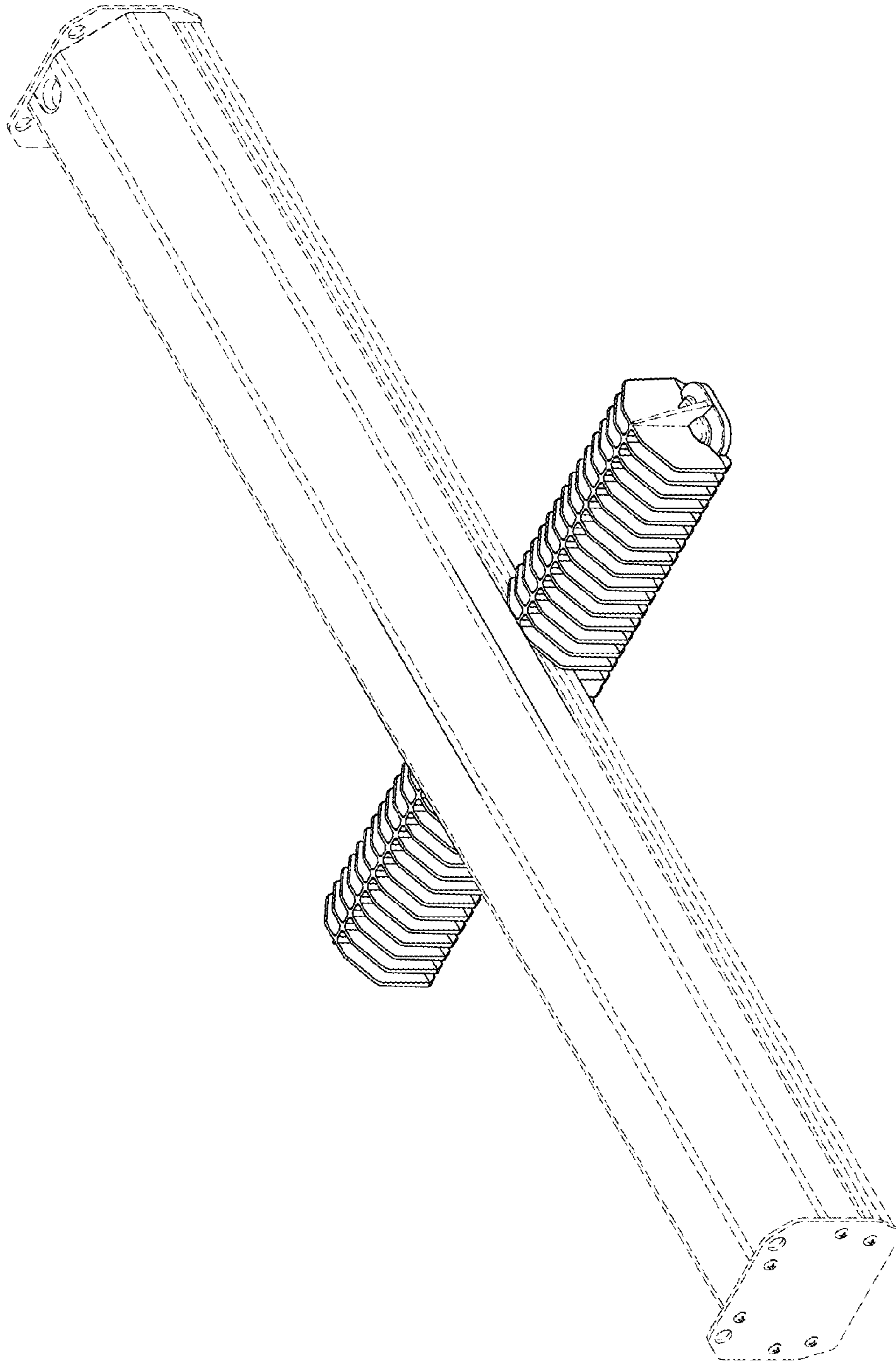


FIG.11

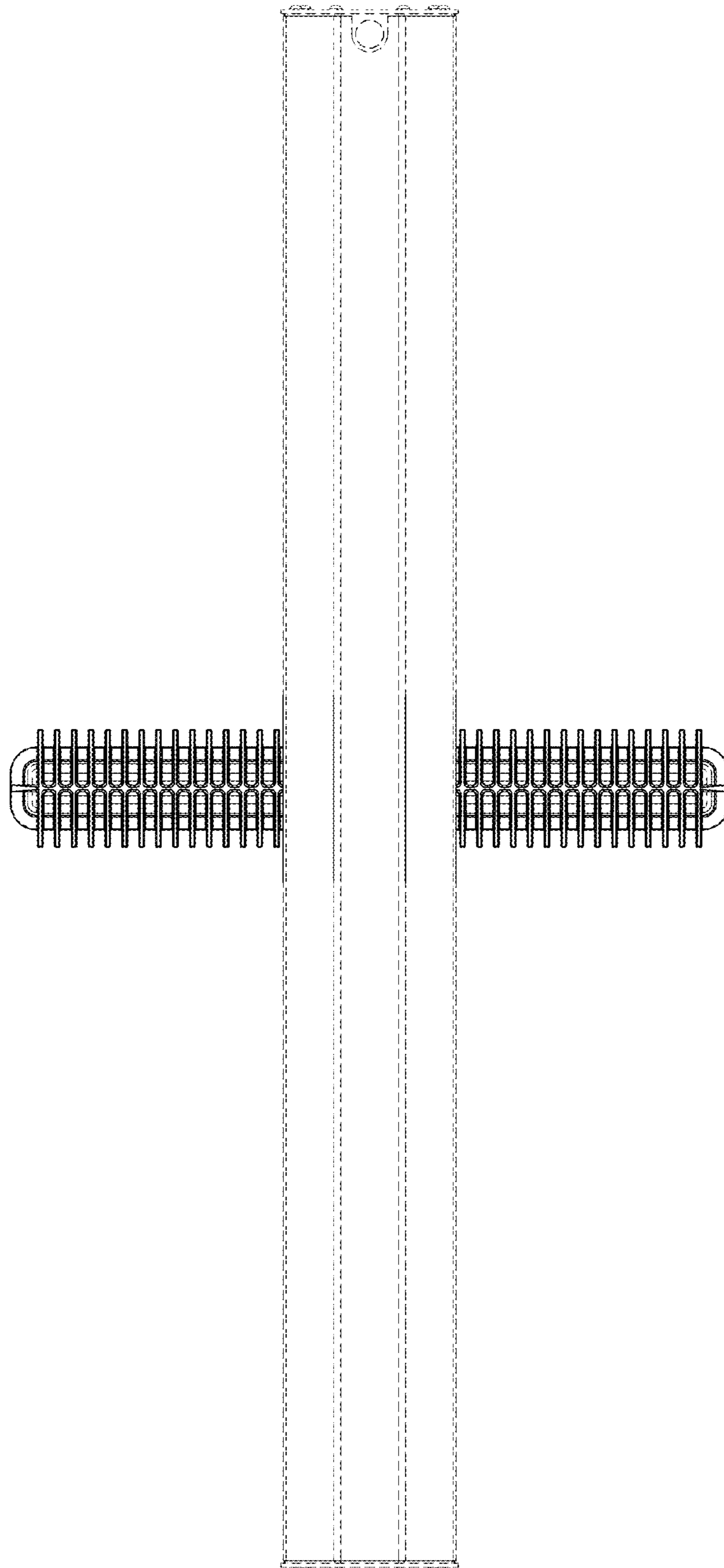


FIG.12

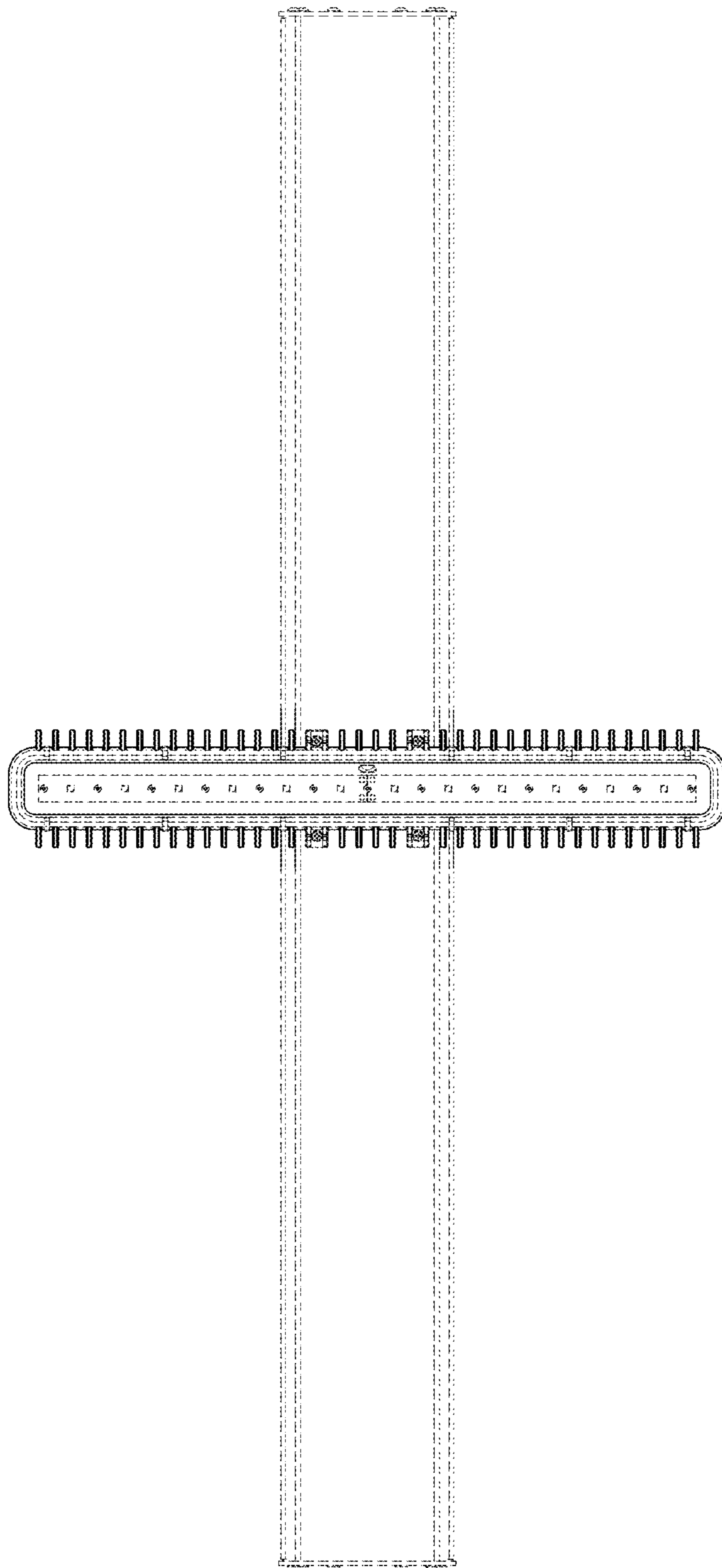


FIG. 13

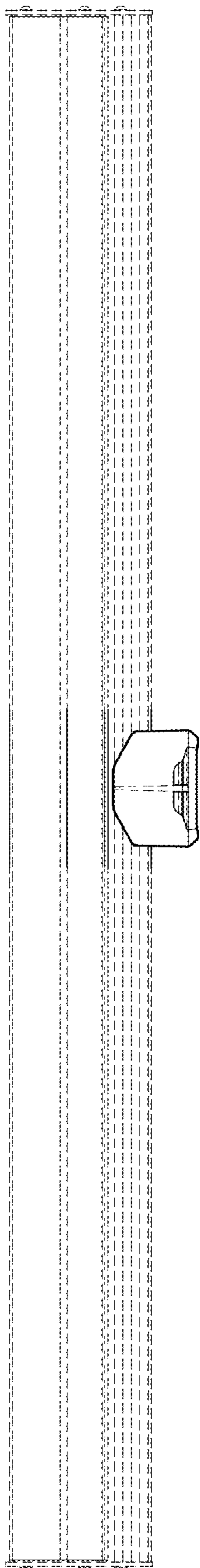


FIG.14

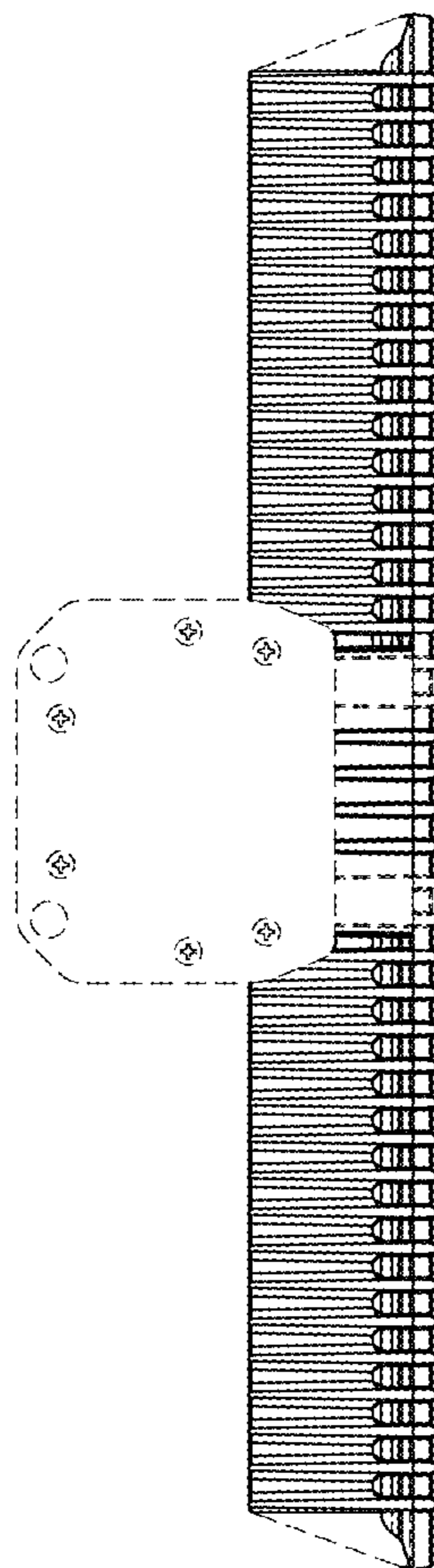


FIG. 15