



US00D699884S

(12) **United States Design Patent**
Savani

(10) **Patent No.:** **US D699,884 S**
(45) **Date of Patent:** **** Feb. 18, 2014**

- (54) **LIGHTING FIXTURE**
- (71) Applicant: **Arun Savani**, Blue Bell, PA (US)
- (72) Inventor: **Arun Savani**, Blue Bell, PA (US)
- (**) Term: **14 Years**
- (21) Appl. No.: **29/466,617**
- (22) Filed: **Sep. 10, 2013**

Related U.S. Application Data

- (62) Division of application No. 29/439,761, filed on Dec. 14, 2012.
- (51) **LOC (10) Cl.** **26-03**
- (52) **U.S. Cl.**
USPC **D26/76**
- (58) **Field of Classification Search**
USPC D26/1-3, 24, 56, 72, 74-86, 88-91;
D13/180, 182; 362/150,
362/217.01-217.05, 217.08, 217.09, 260,
362/364, 365, 366, 404, 555, 576, 800
See application file for complete search history.

D544,983 S *	6/2007	Hargreaves	D26/76
D561,383 S	2/2008	Hukle et al.		
D561,384 S	2/2008	Hukle et al.		
D561,930 S	2/2008	Hukle et al.		
D573,744 S	7/2008	Engel		
D592,786 S *	5/2009	Bisberg et al.	D26/76
D593,246 S	5/2009	Fowler, Jr. et al.		
D604,000 S	11/2009	Fowler, Jr. et al.		
D604,002 S	11/2009	Santoro		
D605,340 S	12/2009	Chung et al.		
D605,341 S	12/2009	Chung et al.		
D608,490 S	1/2010	Chung et al.		
D617,487 S	6/2010	Fowler, Jr. et al.		
D626,268 S	10/2010	Santoro		
D643,572 S	8/2011	Lown et al.		
8,002,446 B1	8/2011	Plunk et al.		
D646,421 S	10/2011	Chung et al.		
8,042,977 B1	10/2011	Nourishad et al.		

(Continued)

Primary Examiner — Zenia Bennett

(74) *Attorney, Agent, or Firm* — Howson & Howson LLP

(57) **CLAIM**

The ornamental design for a lighting fixture, as shown and described.

DESCRIPTION

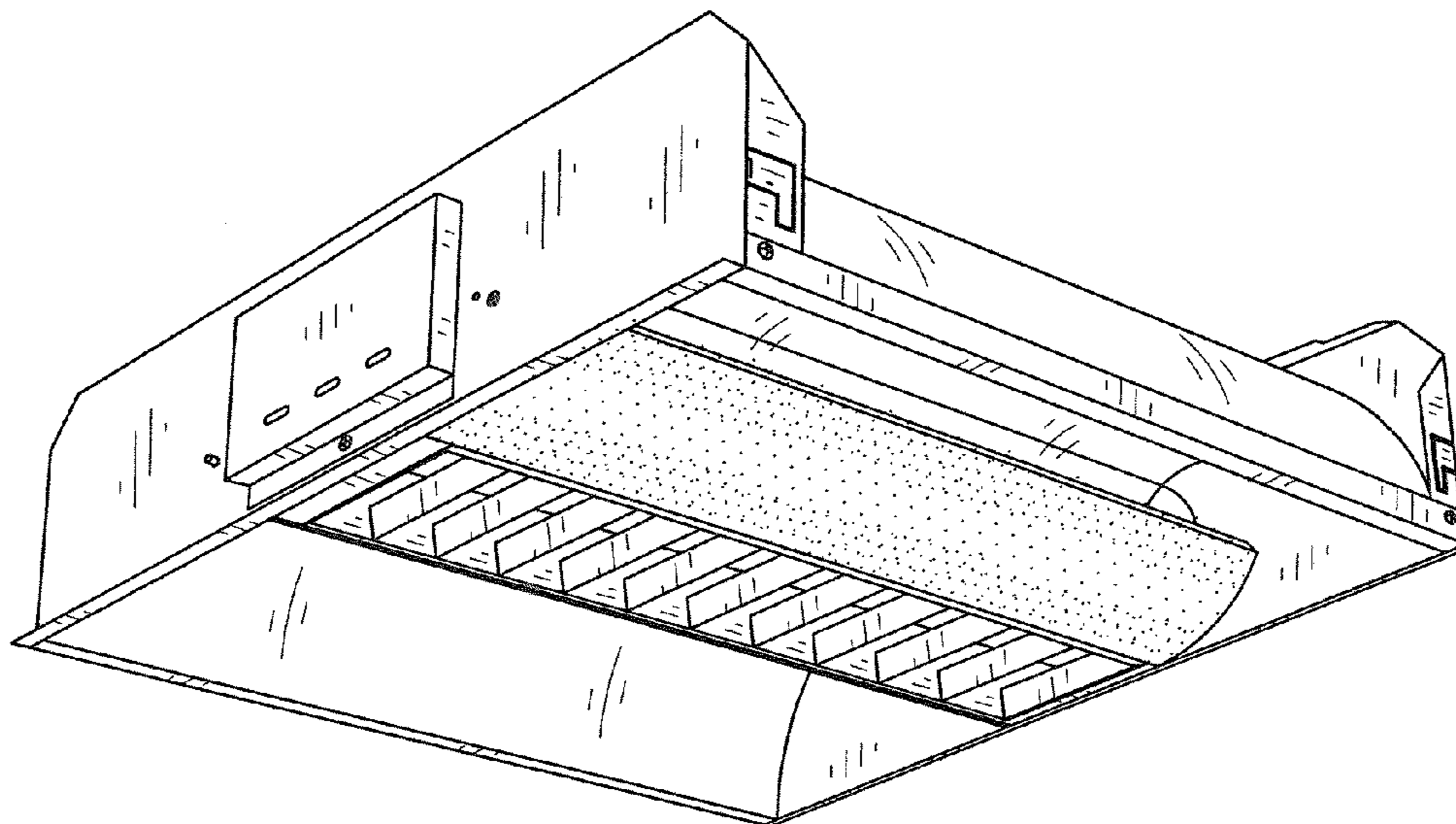
FIG. 1 is a perspective view of the bottom, right side, and front end of a lighting fixture, showing my new design;
 FIG. 2 is a bottom plan view thereof;
 FIG. 3 is a top plan view thereof;
 FIG. 4 is an elevational view of the right side thereof;
 FIG. 5 is an elevational view of the front end thereof; and,
 FIG. 6 is a cross-sectional view thereof as seen through plane 6-6 in FIG. 2.
 The left side elevational view and the rear end elevational view are identical to FIGS. 4 and 5, respectively. The broken lines are for environmental purposes only and form no part of the claimed design.

1 Claim, 5 Drawing Sheets

(56) **References Cited**

U.S. PATENT DOCUMENTS

D292,322 S	10/1987	Krol	
D306,773 S	3/1990	Roulstone	
D399,586 S	10/1998	Ranieri et al.	
D411,641 S	6/1999	Ranieri et al.	
D413,402 S	8/1999	Ranieri	
5,988,829 A	11/1999	Holder	
D430,688 S	9/2000	Plunk	
6,402,345 B1	6/2002	Fishman	
D465,869 S	11/2002	Bodell	
D485,635 S *	1/2004	Schuetz et al. D26/76
D496,121 S	9/2004	Santoro	
7,175,312 B2	2/2007	Fowler, Jr.	
D541,467 S	4/2007	Gould	



US D699,884 S

Page 2

(56)

References Cited

U.S. PATENT DOCUMENTS

8,057,064 B2 11/2011 Yeh et al.
D665,119 S 8/2012 Bryant
D667,156 S 9/2012 Pickard et al.

D667,584 S 9/2012 Beghelli
D667,983 S 9/2012 Pickard et al.
D675,365 S 1/2013 Beghelli

* cited by examiner

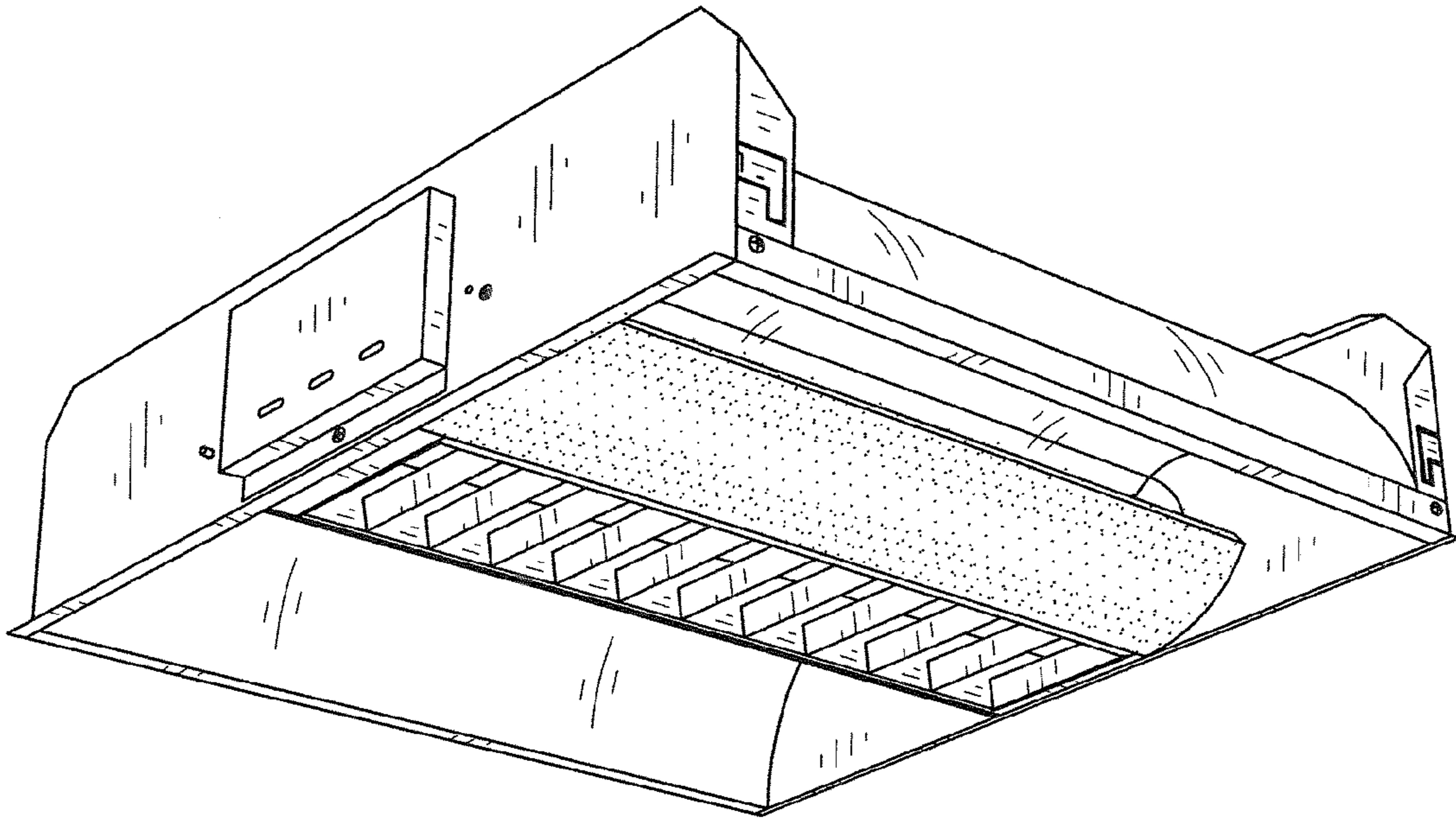


Fig. 1

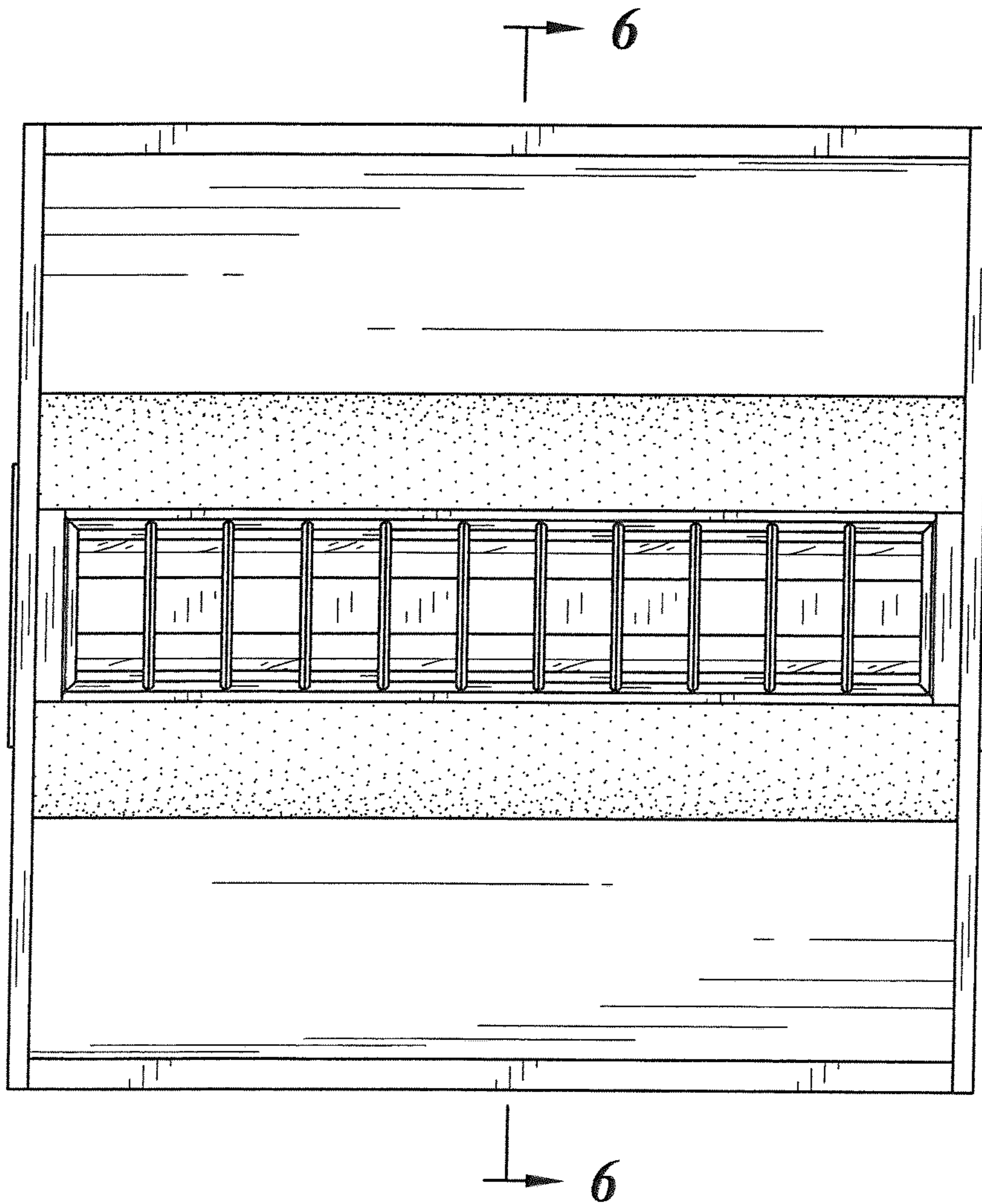


Fig. 2

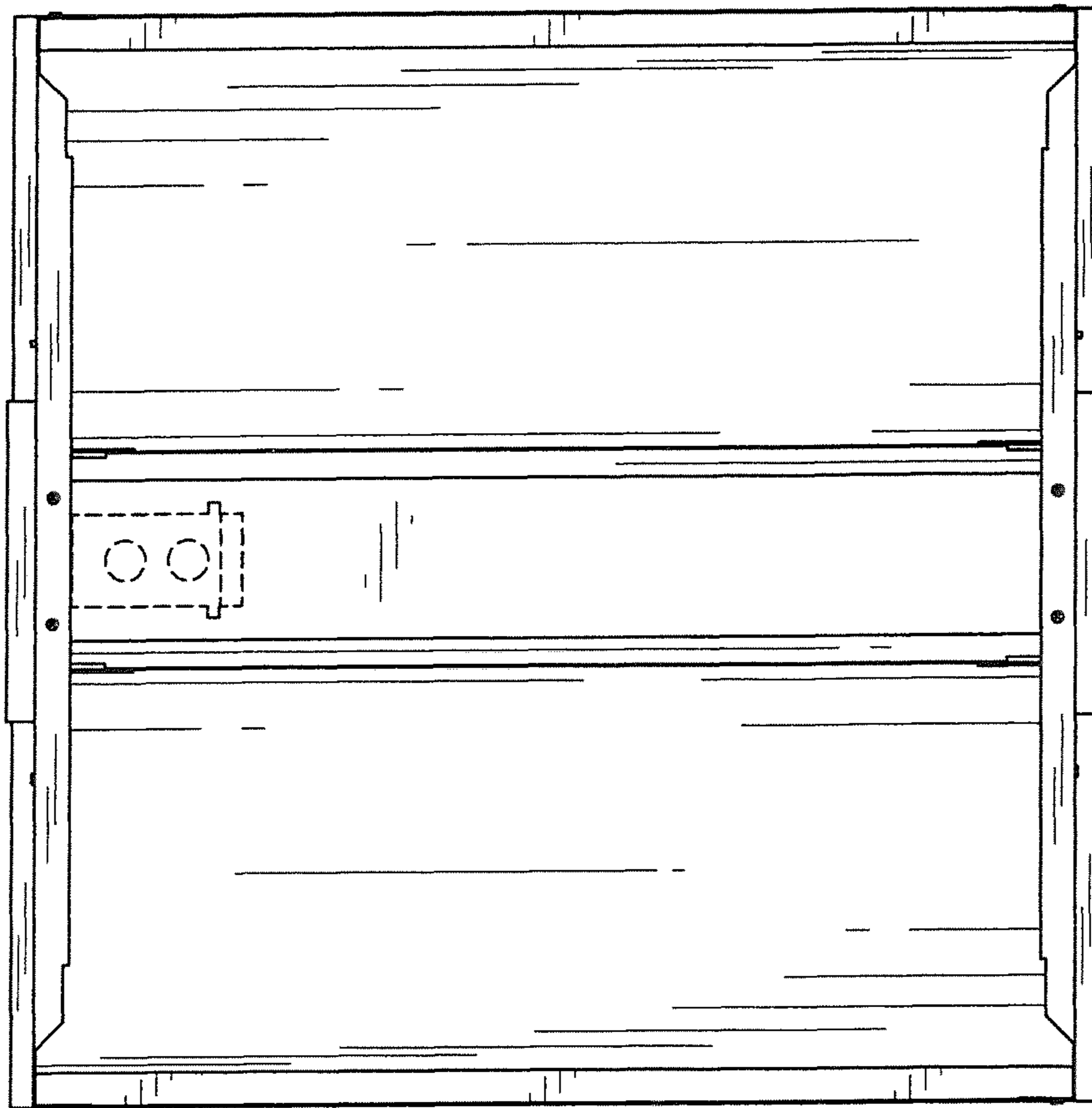


Fig. 3

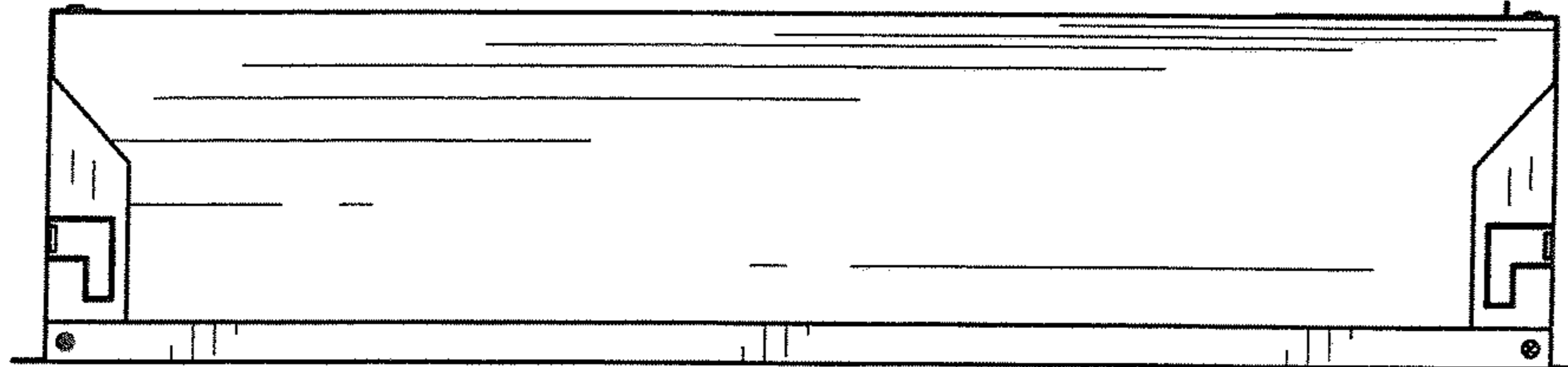


Fig. 4

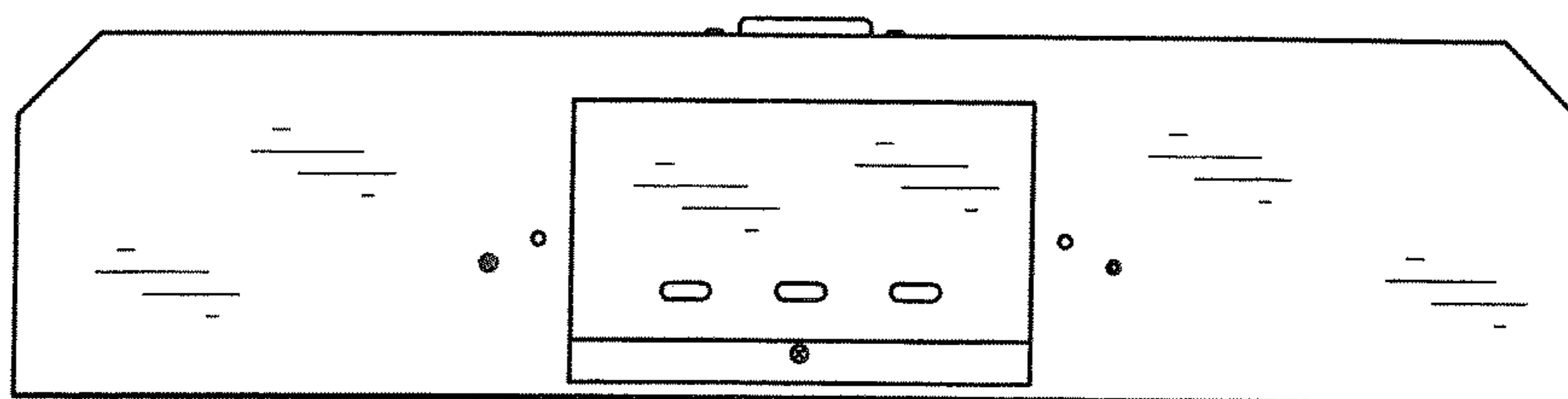


Fig. 5

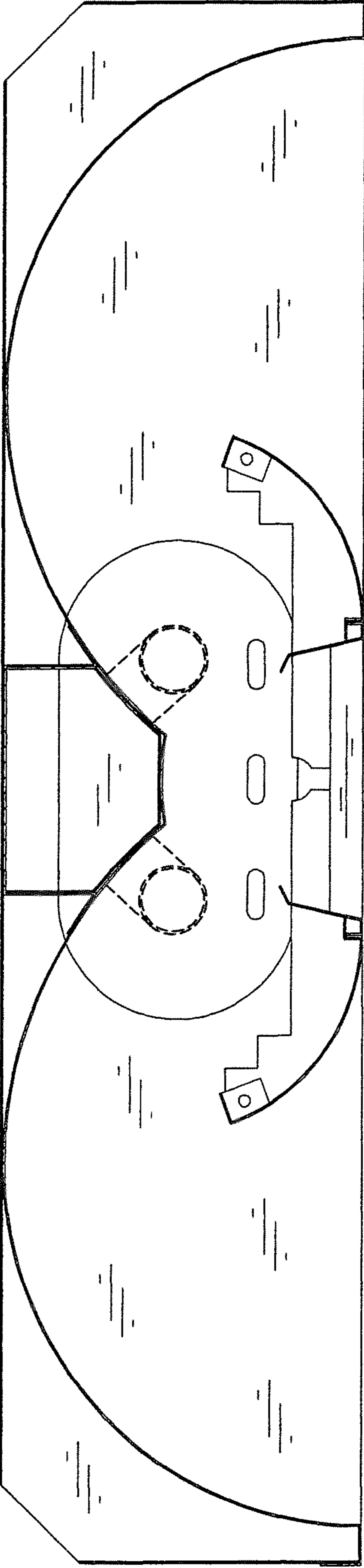


Fig. 6