



US00D699883S

(12) **United States Design Patent**
Mollaghaffari

(10) **Patent No.:** **US D699,883 S**

(45) **Date of Patent:** **** Feb. 18, 2014**

(54) **TWIN WINGED LED LIGHTING ASSEMBLY**

(75) Inventor: **Massoud Mollaghaffari**, Portland, OR
(US)

(73) Assignee: **PHC Northwest, Inc.**, Portland, OR
(US)

(**) Term: **14 Years**

(21) Appl. No.: **29/412,204**

(22) Filed: **Jan. 31, 2012**

(51) **LOC (10) Cl.** **26-03**

(52) **U.S. Cl.**
USPC **D26/75**

(58) **Field of Classification Search**
USPC D26/1-3, 24, 56, 72, 74-86, 88-91;
D13/180, 182; 362/150,
362/217.01-217.05, 217.08, 217.09, 260,
362/364, 365, 366, 404, 555, 576, 800
See application file for complete search history.

(56) **References Cited**

U.S. PATENT DOCUMENTS

D500,882 S	*	1/2005	Herst et al.	D26/118
D520,172 S	*	5/2006	Engel	D26/76
D558,379 S	*	12/2007	Citterio	D26/76
D595,443 S	*	6/2009	Tran et al.	D26/76
D612,088 S	*	3/2010	Wassel et al.	D26/76
D612,528 S	*	3/2010	McGrath et al.	D26/76

D635,708 S	*	4/2011	Zheng	D26/78
D650,508 S	*	12/2011	Wassel et al.	D26/76
D670,851 S	*	11/2012	Tsai	D26/76

* cited by examiner

Primary Examiner — Zenia Bennett

(74) *Attorney, Agent, or Firm* — Baumgartner Patent Law;
Marc Baumgartner

(57) **CLAIM**

The ornamental design for a twin winged LED lighting assembly, as shown and described.

DESCRIPTION

FIG. 1 is a perspective view of the twin winged LED lighting assembly.

FIG. 2 is a close-up perspective view of the twin winged LED lighting assembly.

FIG. 3 is a close-up perspective view of the twin winged LED lighting assembly.

FIG. 4 is a front side view of the twin winged LED lighting assembly

FIG. 5 is a back side view of the twin winged LED lighting assembly.

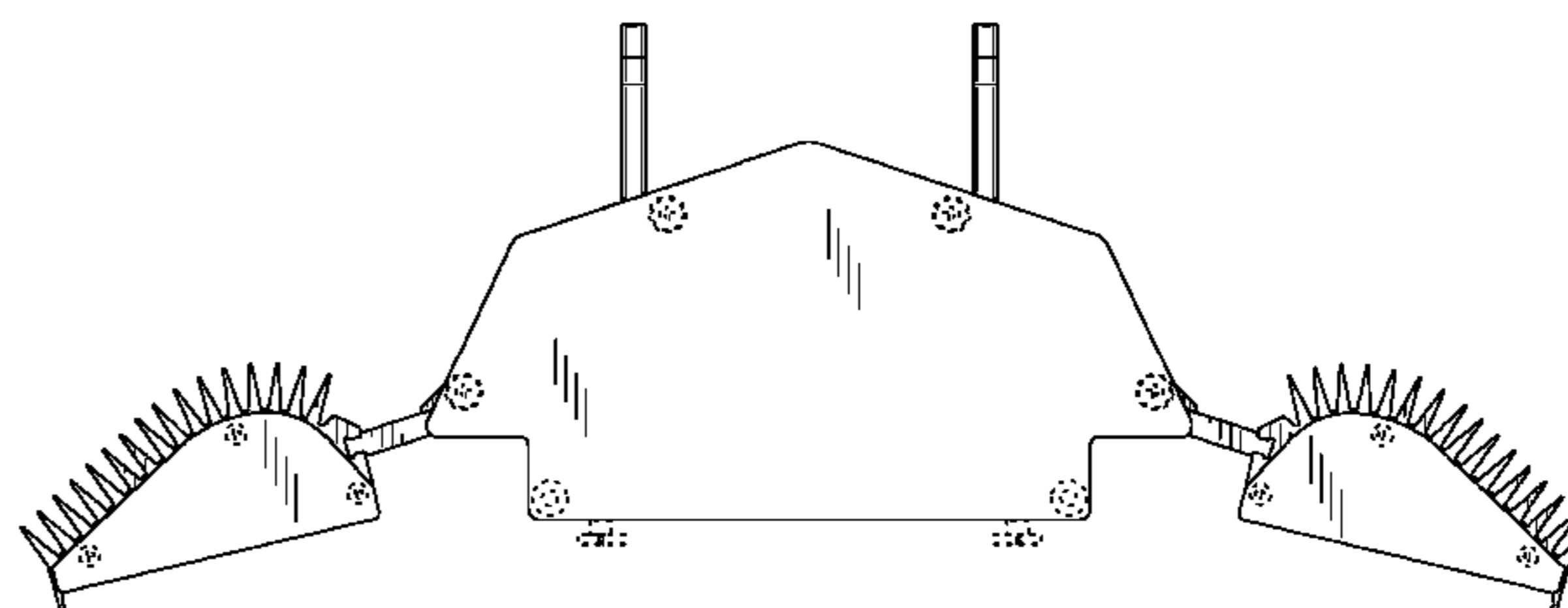
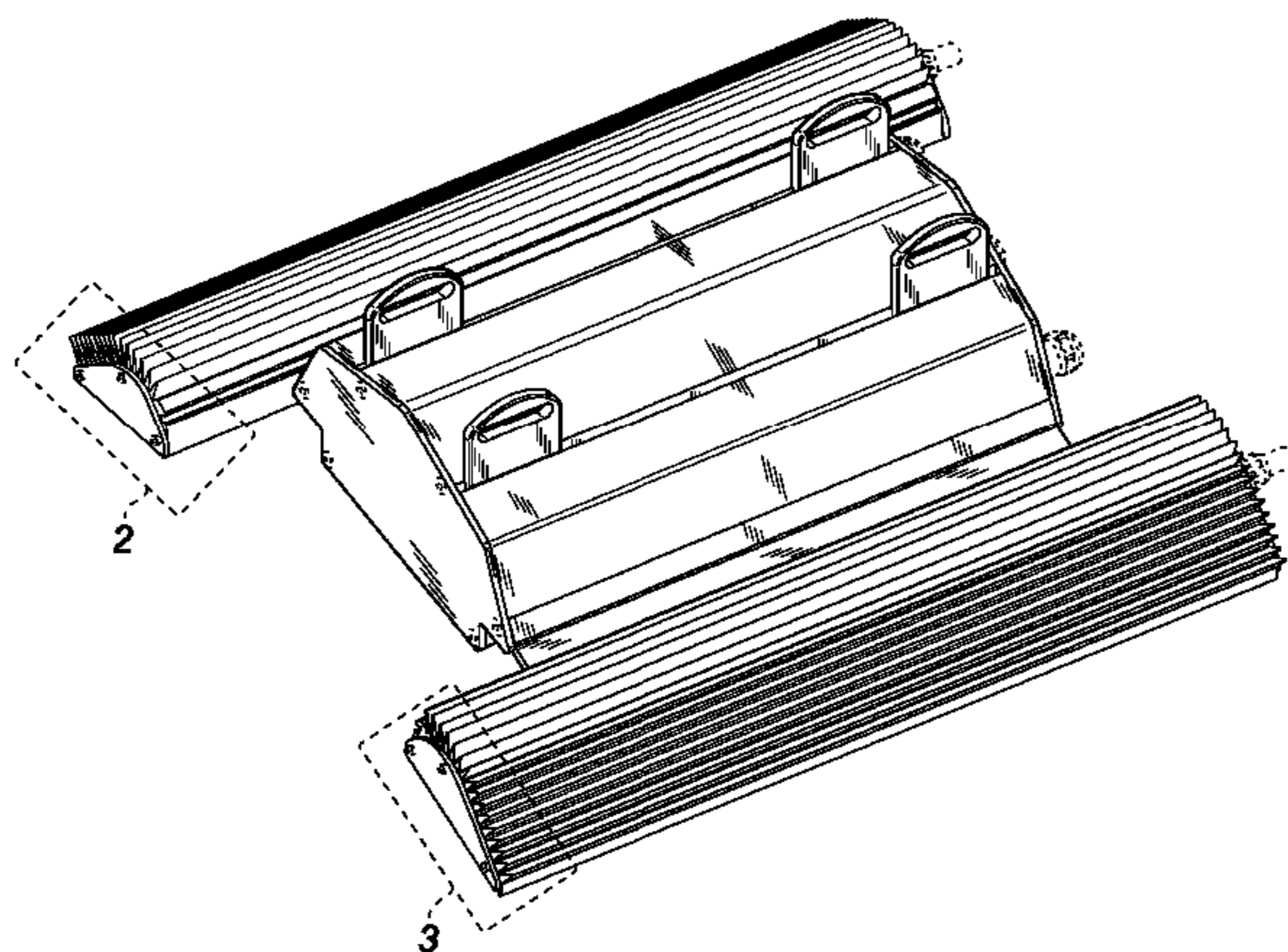
FIG. 6 is a right side view of the twin winged LED lighting assembly (the other side is a mirror image of this side).

FIG. 7 is a top side view of the twin winged LED lighting assembly; and,

FIG. 8 is a bottom side view of the twin winged LED lighting assembly.

The broken lines in the drawings depict portions that are not part of the claimed design, but rather show the environment in which the design is associated.

1 Claim, 7 Drawing Sheets



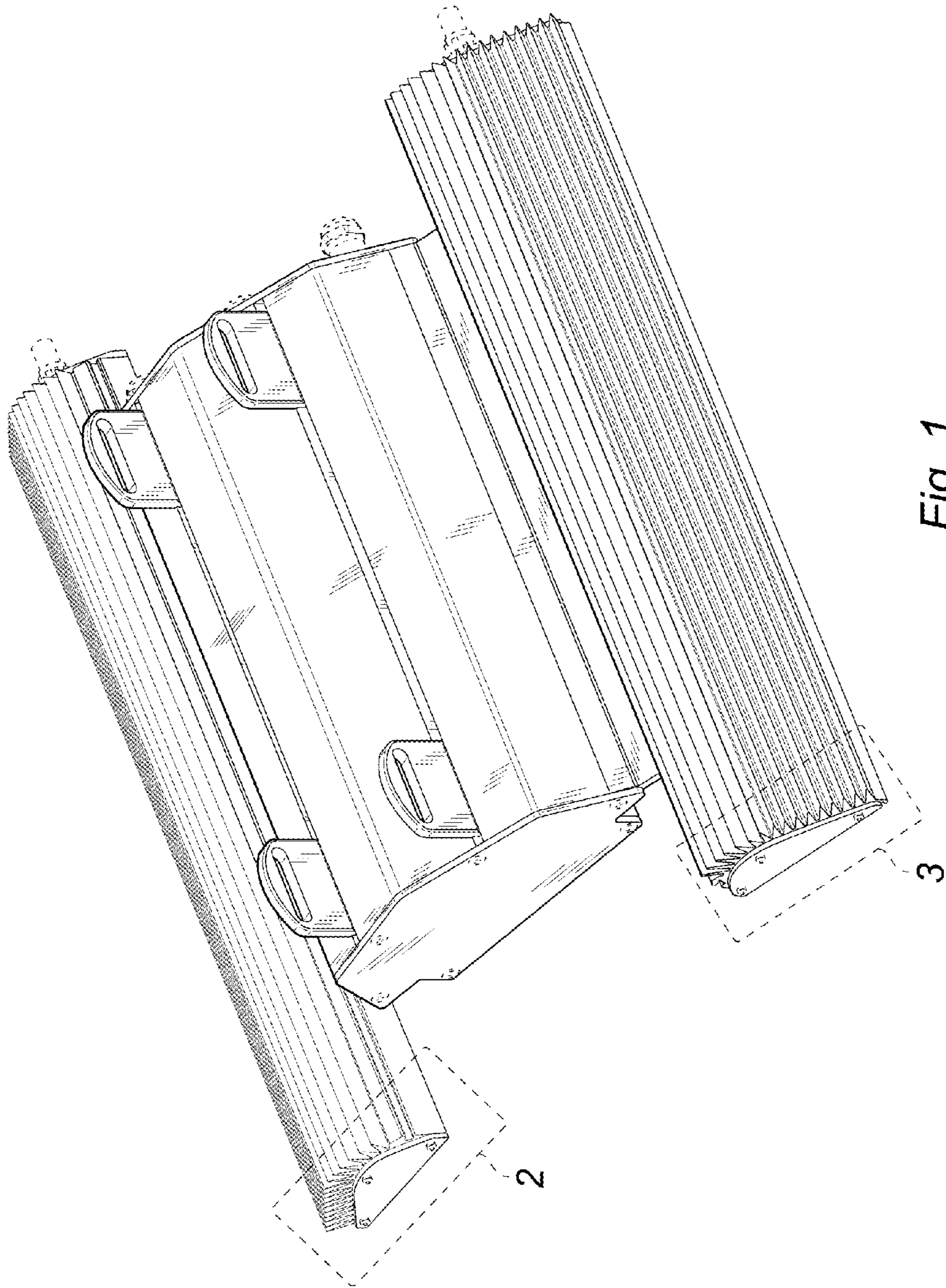


Fig. 1

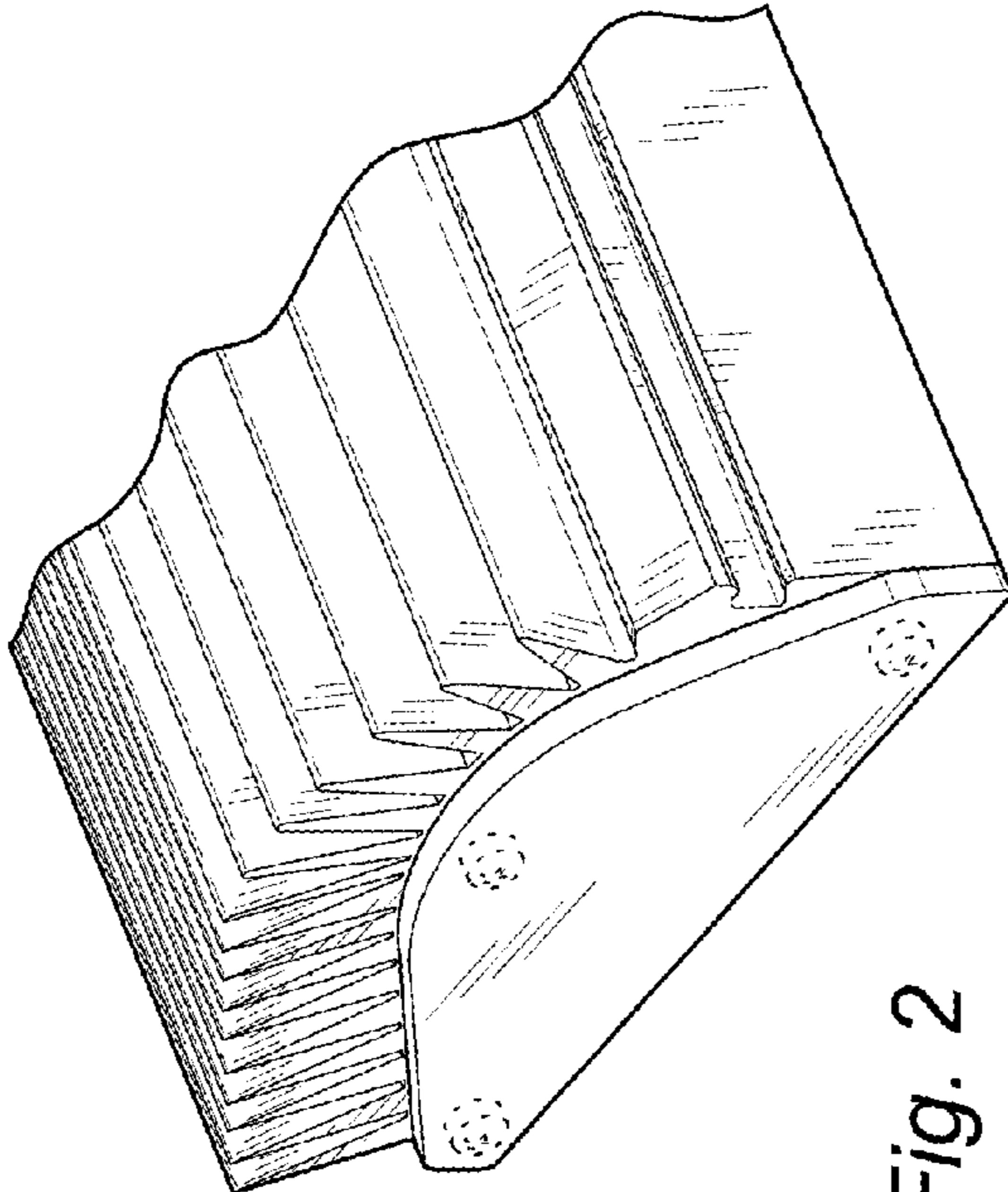


Fig. 2

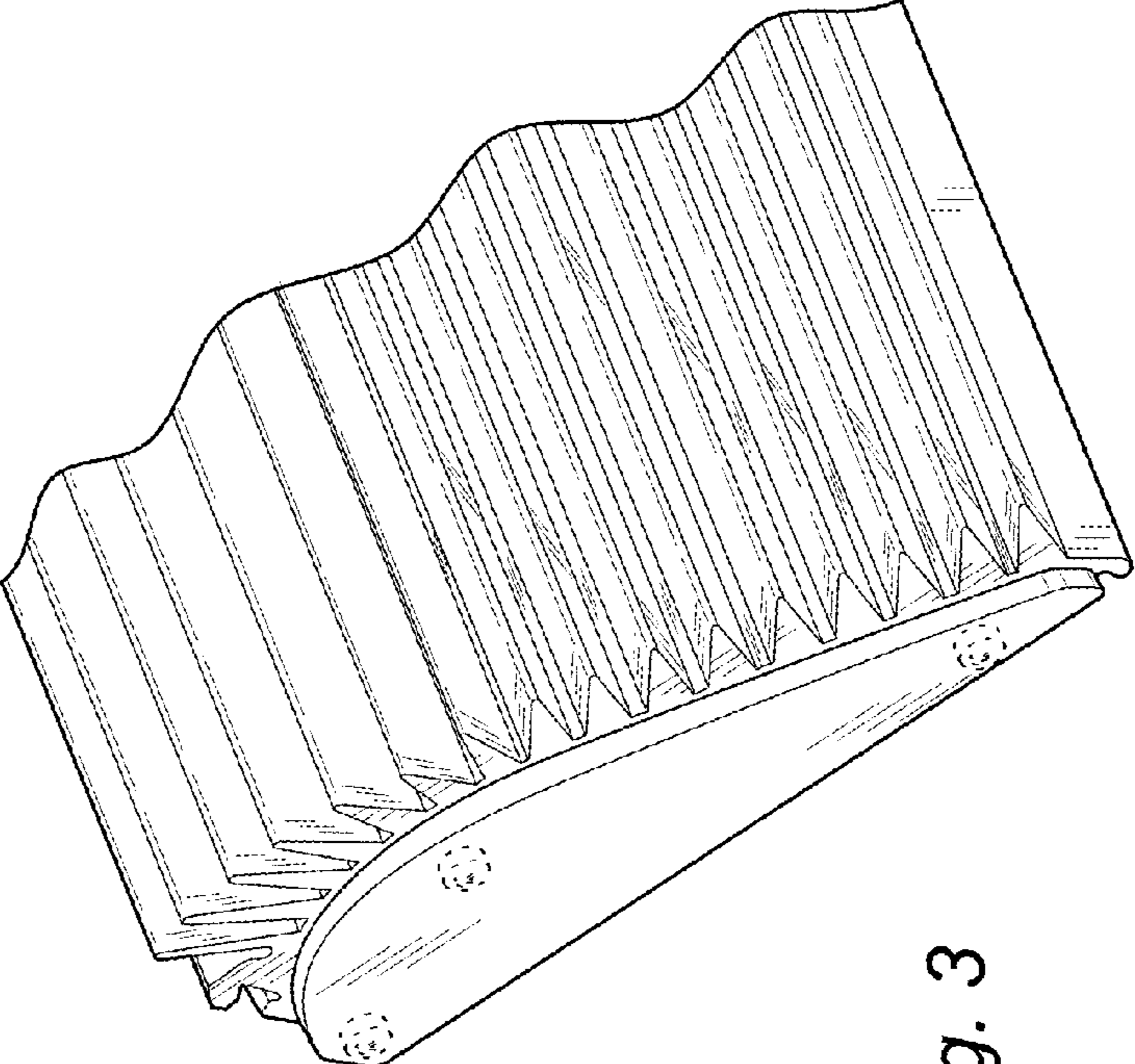


Fig. 3

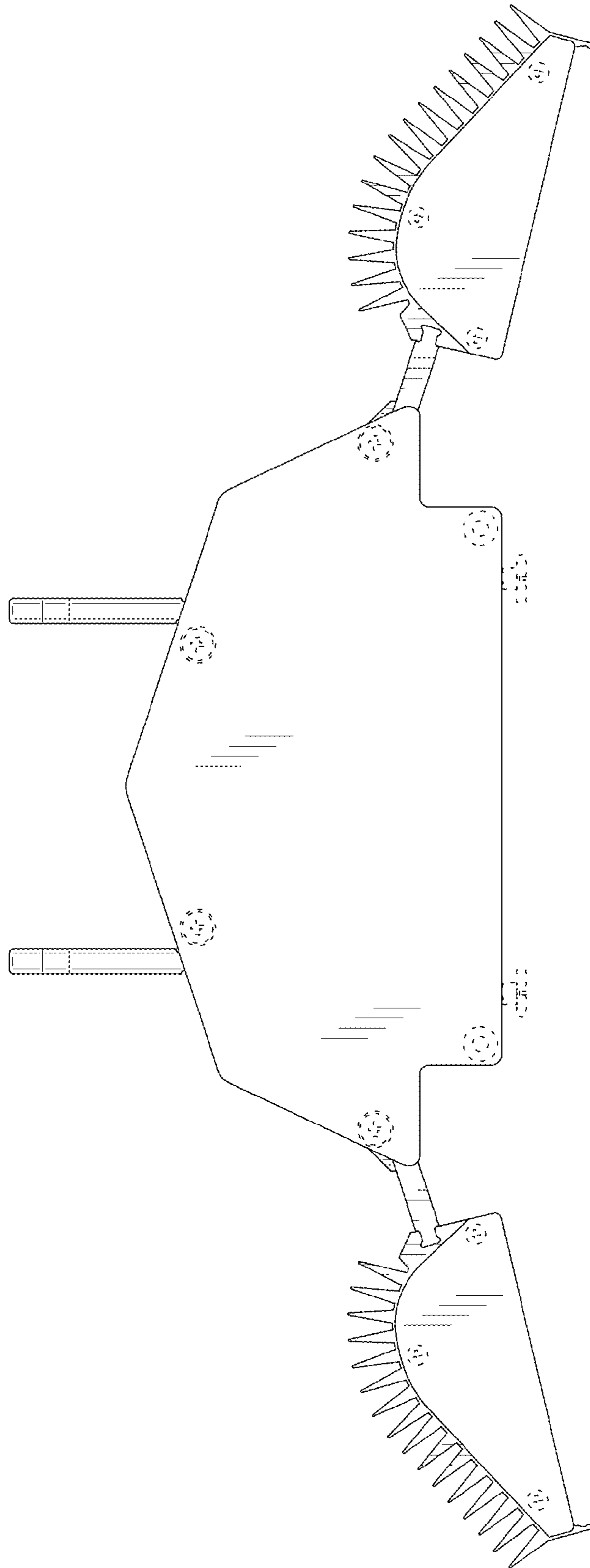


Fig. 4

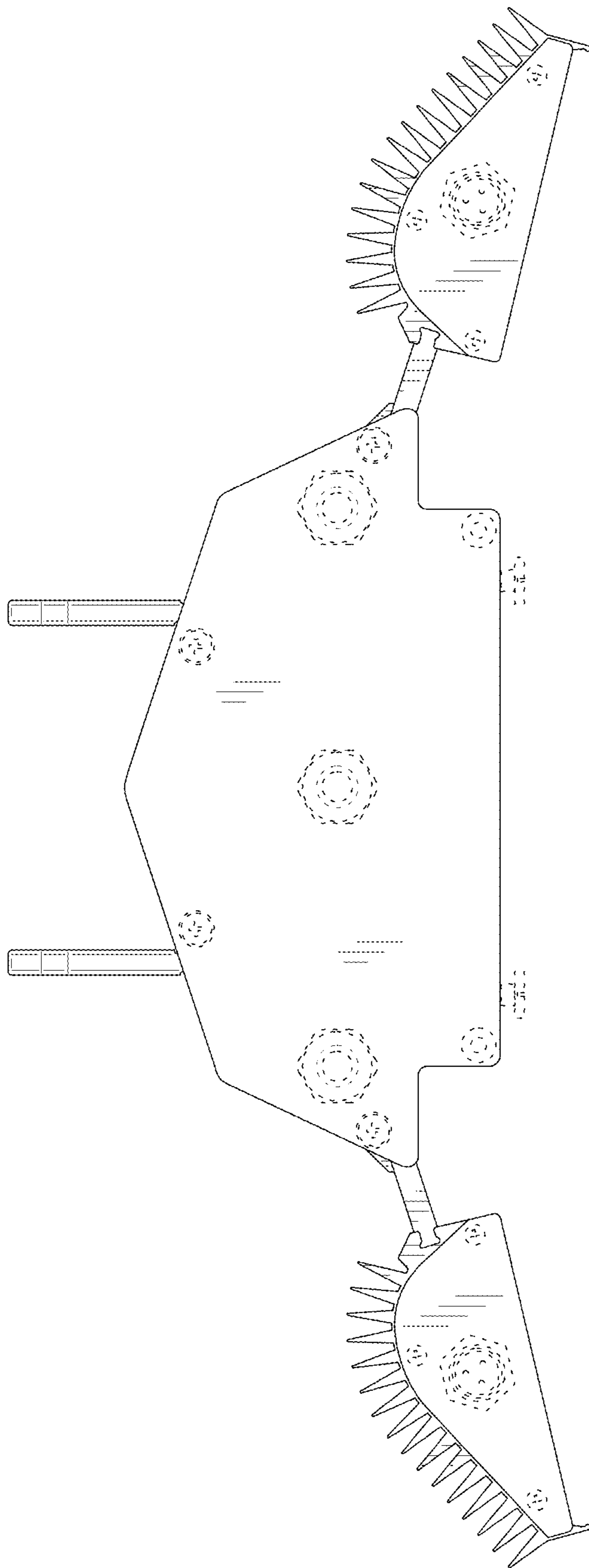


Fig. 5

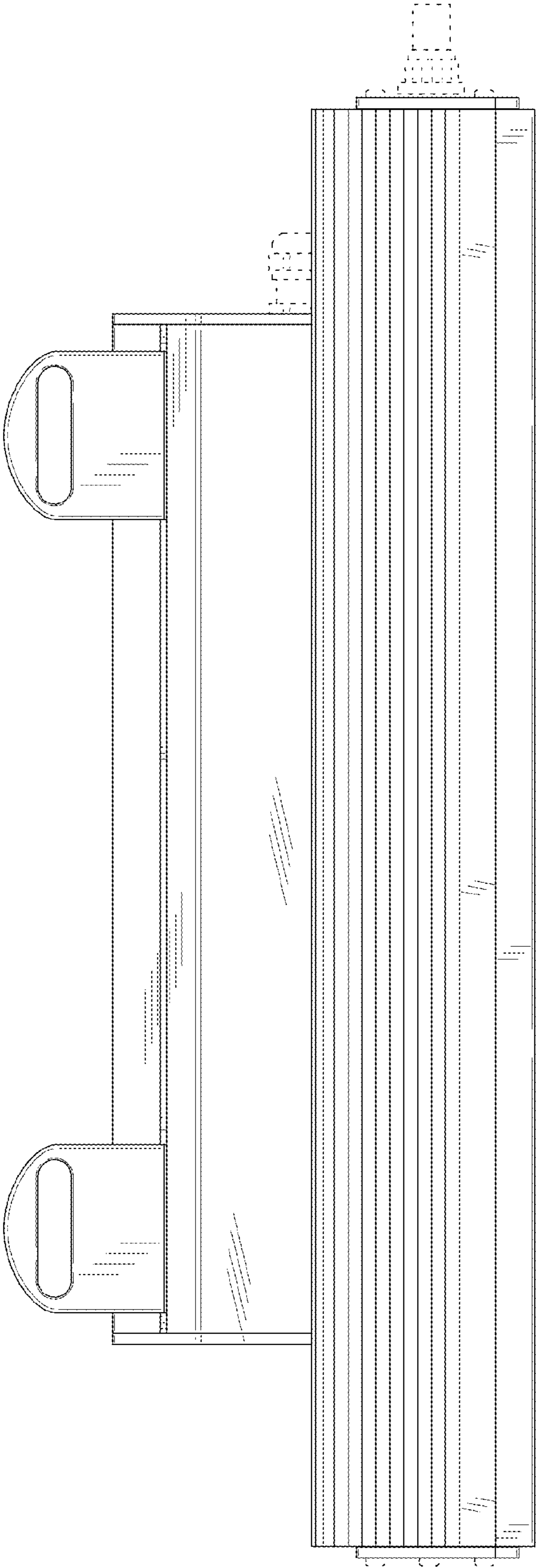


Fig. 6

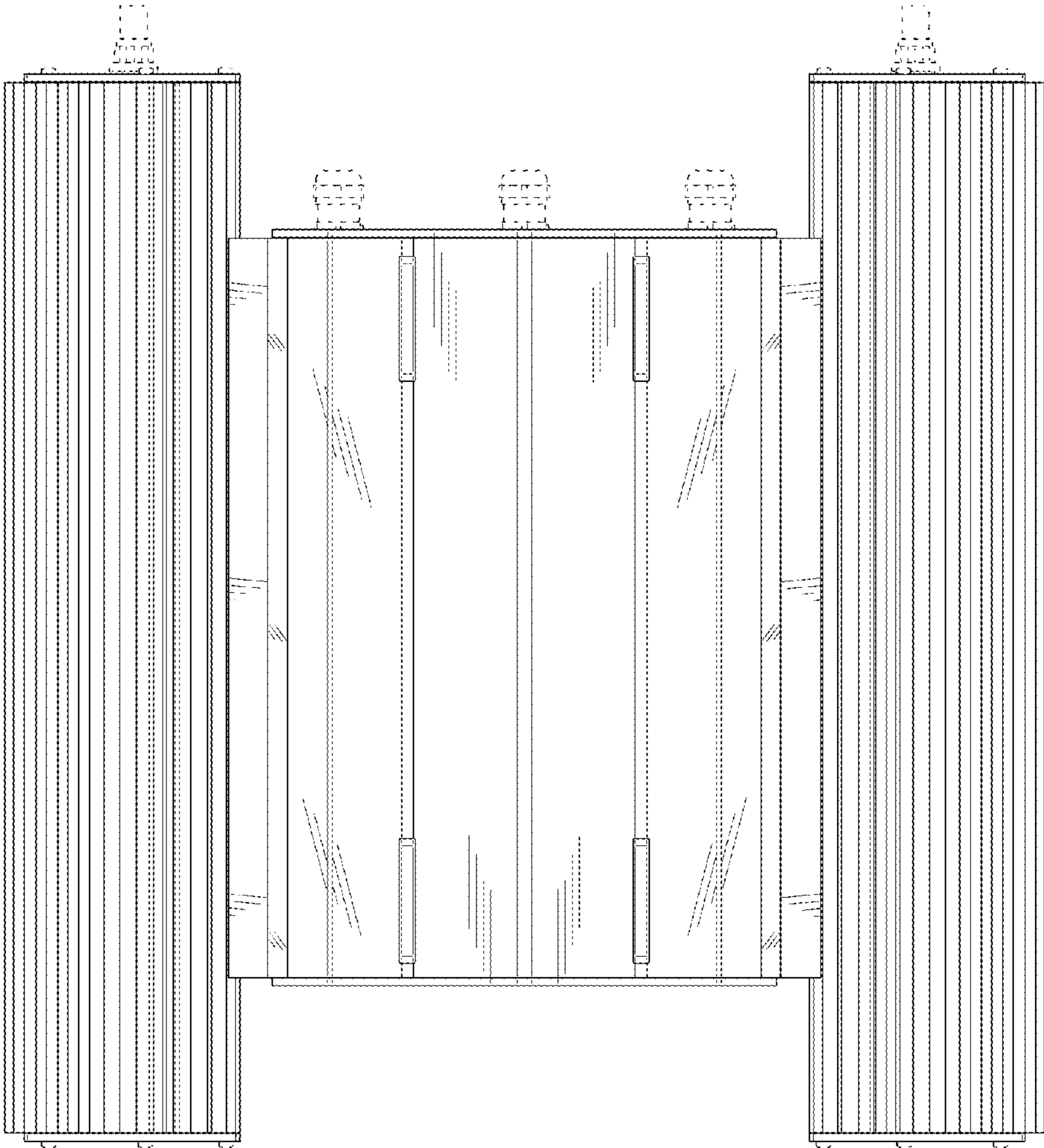


Fig. 7

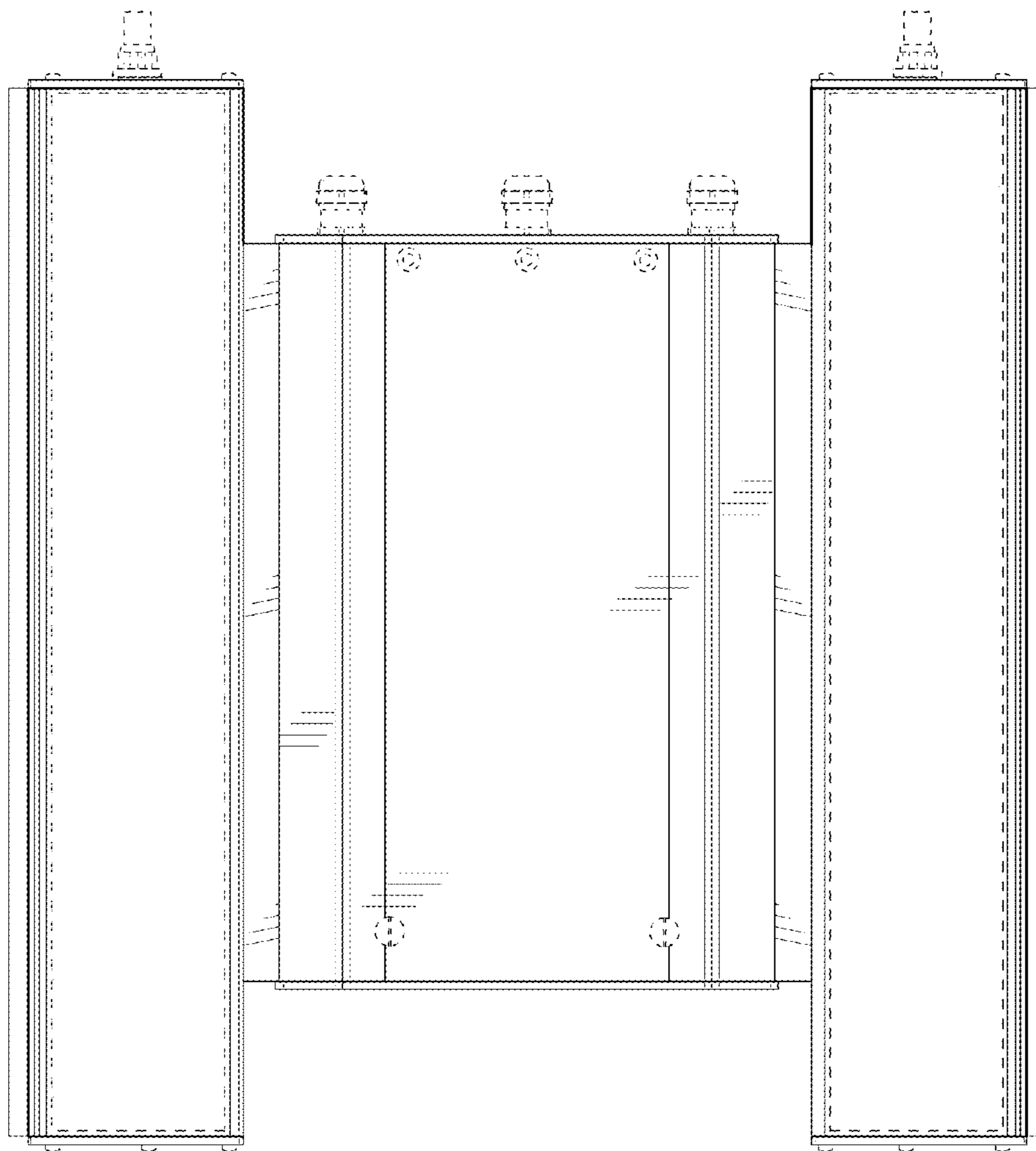


Fig. 8