



US00D699880S

(12) **United States Design Patent**
Szoke

(10) **Patent No.:** **US D699,880 S**

(45) **Date of Patent:** **** Feb. 18, 2014**

(54) **LED LIGHT FIXTURE**

(71) Applicant: **Steve Szoke**, West Hempstead, NY (US)

(72) Inventor: **Steve Szoke**, West Hempstead, NY (US)

(**) Term: **14 Years**

(21) Appl. No.: **29/442,815**

(22) Filed: **May 22, 2013**

(51) **LOC (10) Cl.** **26-05**

(52) **U.S. Cl.**

USPC **D26/74**

(58) **Field of Classification Search**

USPC D26/74, 113, 118, 119, 120, 122, 138,
D26/141, 24, 58, 59, 67, 72, 75, 76, 77, 78,
D26/79, 80, 81, 82, 83, 84, 85, 86, 88, 89,
D26/90, 91, 93, 105; 362/364, 365, 366,
362/145, 146, 147, 148, 150, 151, 152, 153,
362/153.1, 217.06, 217.07, 219, 294,
362/296.01, 311.07, 311.09

See application file for complete search history.

(56) **References Cited**

U.S. PATENT DOCUMENTS

D264,254 S * 5/1982 Heritage D26/74
D291,253 S * 8/1987 Ortega D26/29

D359,374 S * 6/1995 Weinstock D26/80
D437,074 S * 1/2001 Johnson D26/74
D563,012 S * 2/2008 Citterio D26/63
D578,703 S * 10/2008 Levine D26/113
D615,236 S * 5/2010 Beghelli D26/74
D627,913 S * 11/2010 Gielen D26/74
D633,636 S * 3/2011 Gielen D26/74
D639,484 S * 6/2011 Wauters D26/83
D646,416 S * 10/2011 Wauters D26/63
D650,111 S * 12/2011 Herremans D26/84
2004/0042203 A1 * 3/2004 Ladstatter 362/147

* cited by examiner

Primary Examiner — Angela J Lee

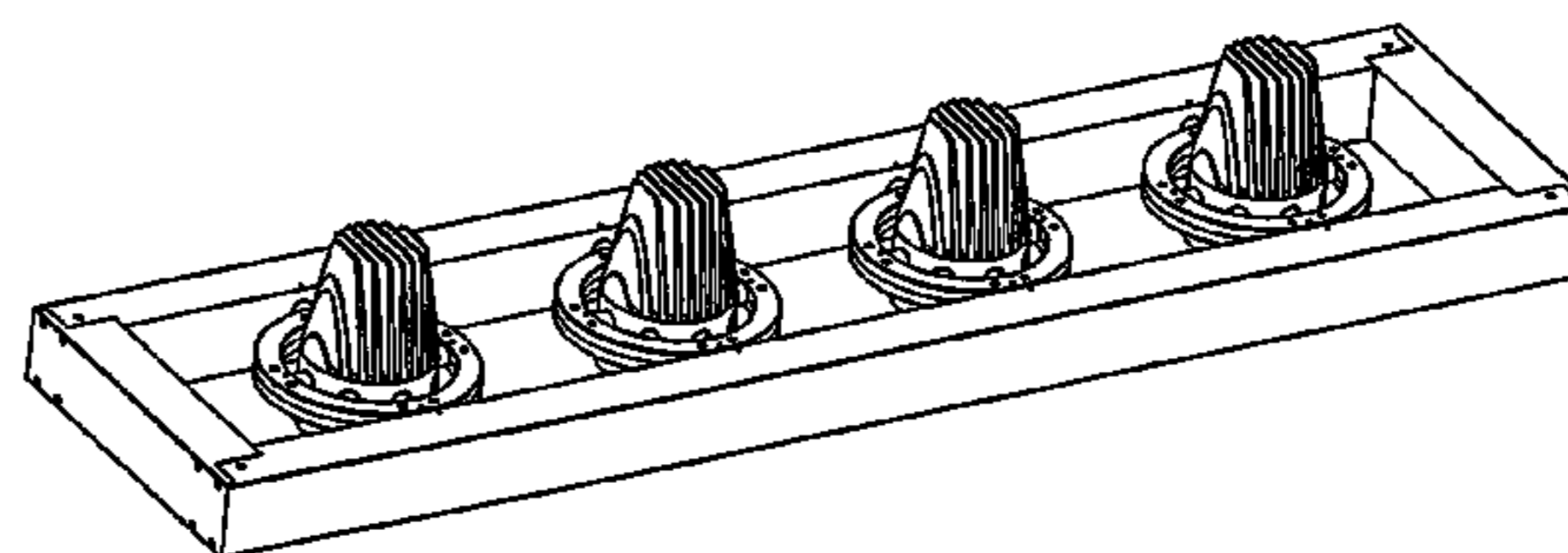
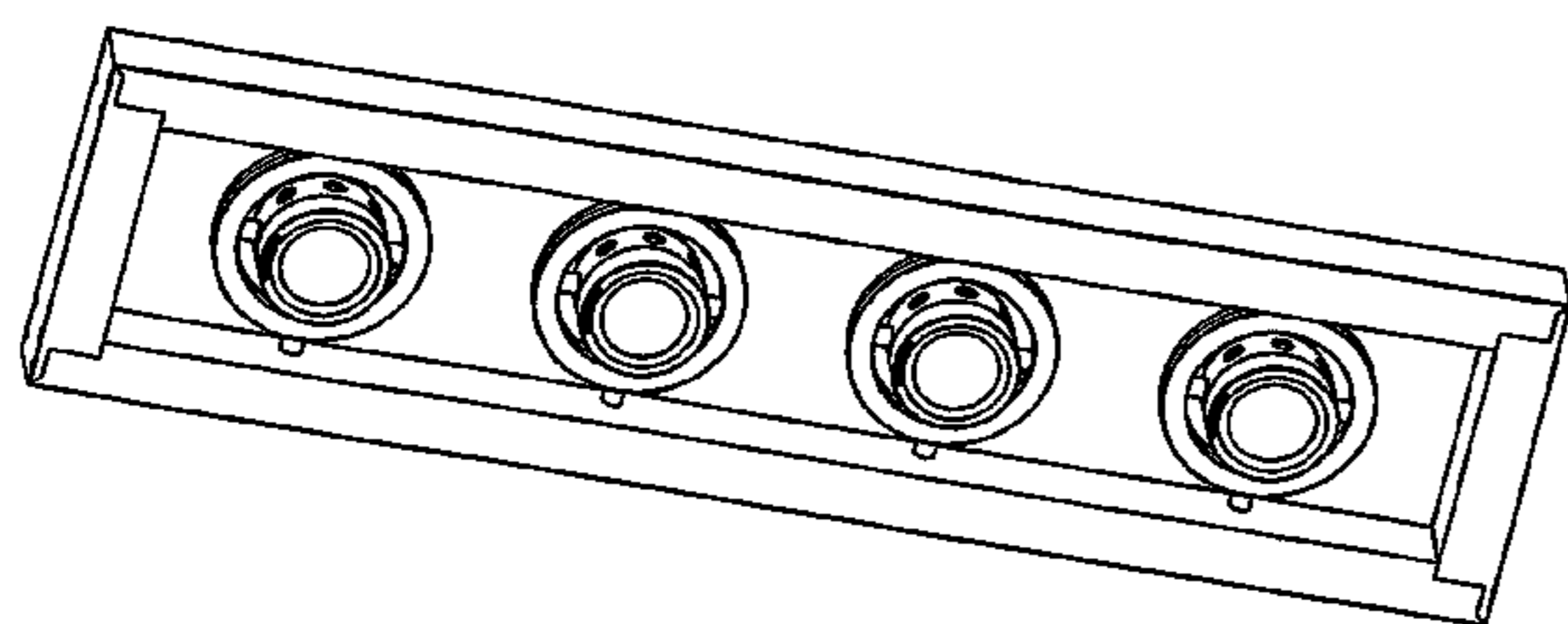
(57) **CLAIM**

The ornamental design for the LED light fixture, as shown and described.

DESCRIPTION

FIG. 1 is a perspective view of the LED light fixture showing my new design;
FIG. 2 is a perspective view thereof;
FIG. 3 is a bottom view thereof;
FIG. 4 is a front elevational view thereof;
FIG. 5 is a top plan view thereof;
FIG. 6 is a left elevational view thereof; and,
FIG. 7 is a right elevational view thereof.

1 Claim, 2 Drawing Sheets



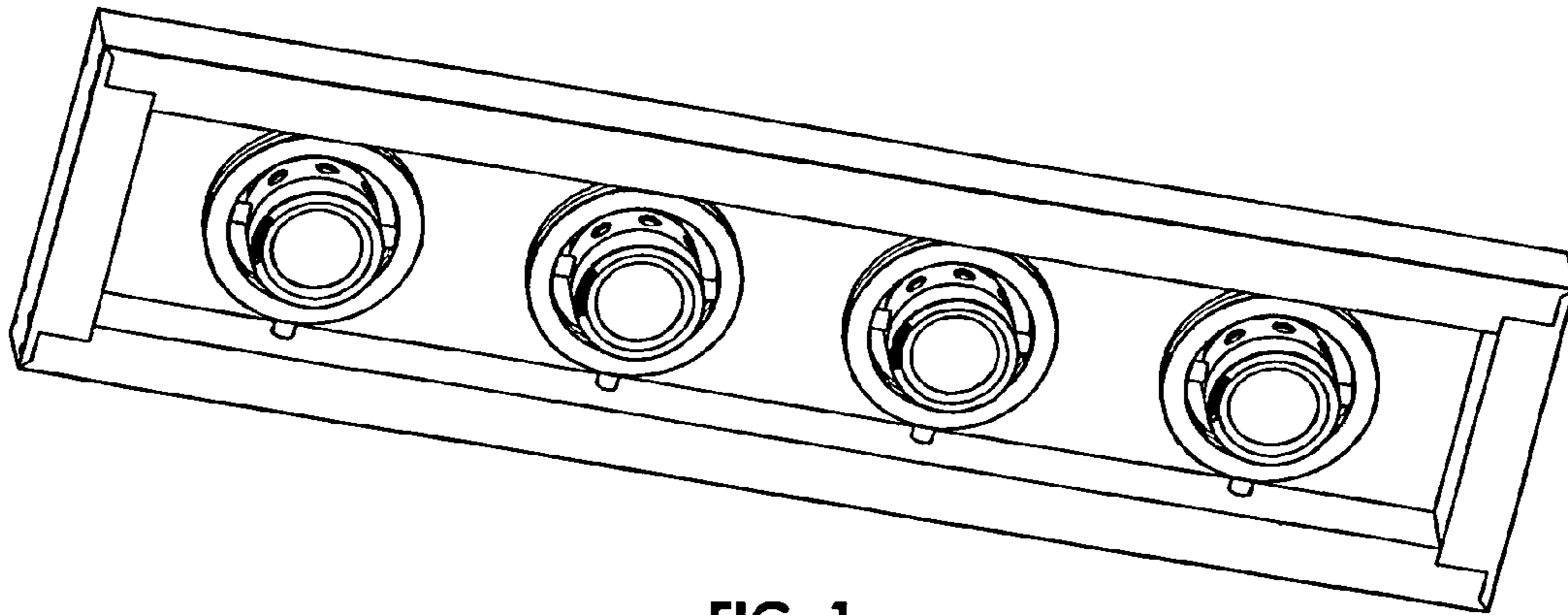


FIG. 1

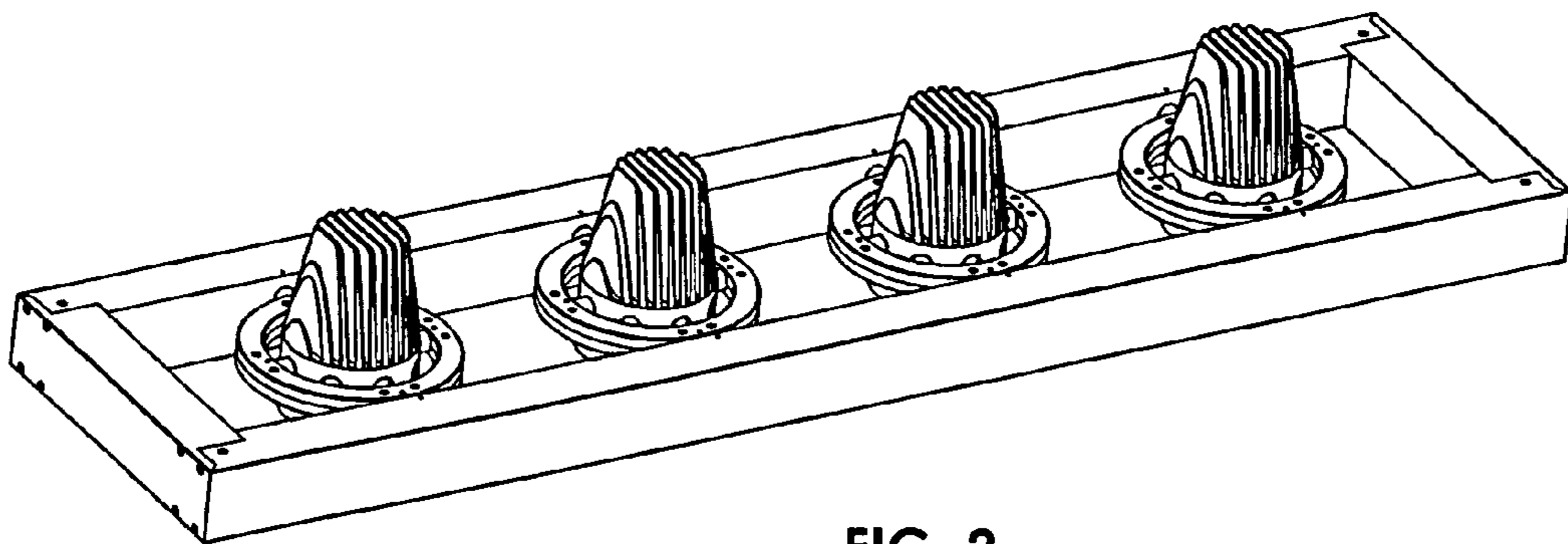


FIG. 2

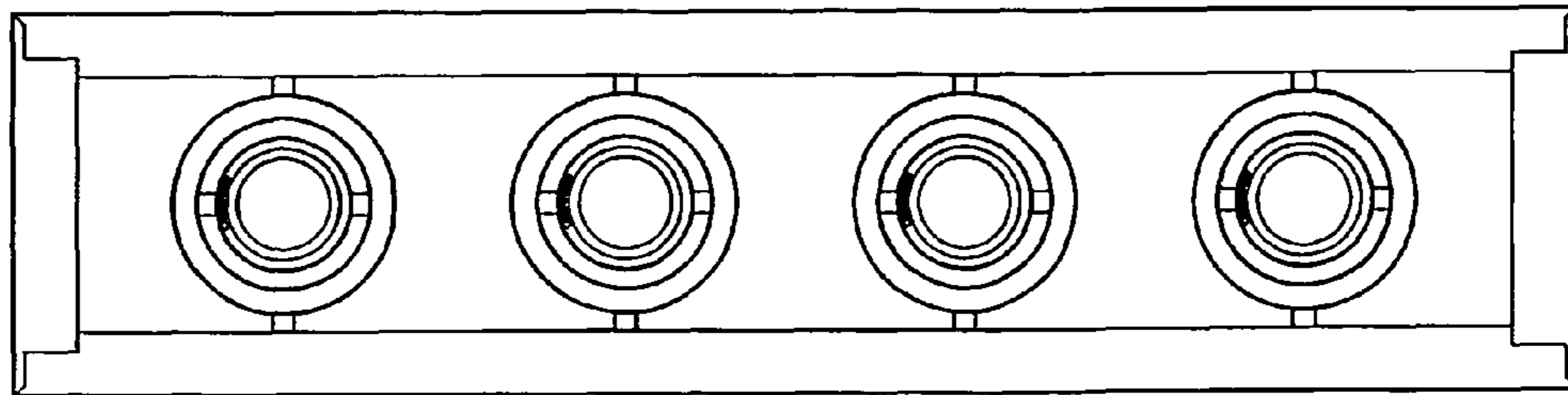


FIG. 3

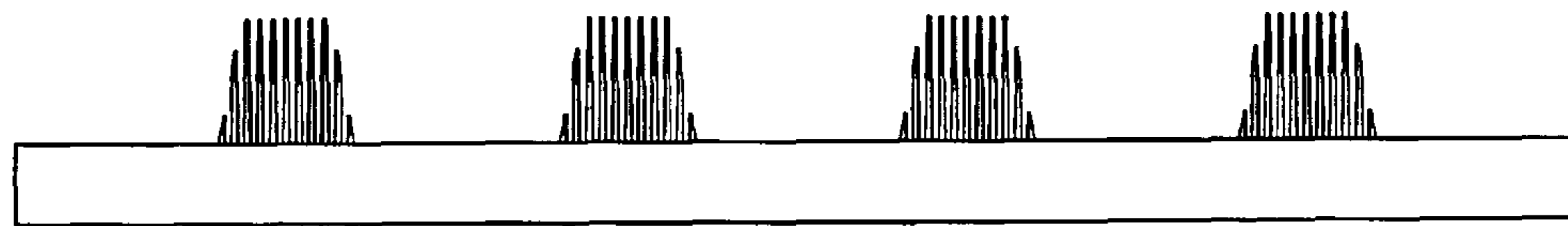


FIG. 4

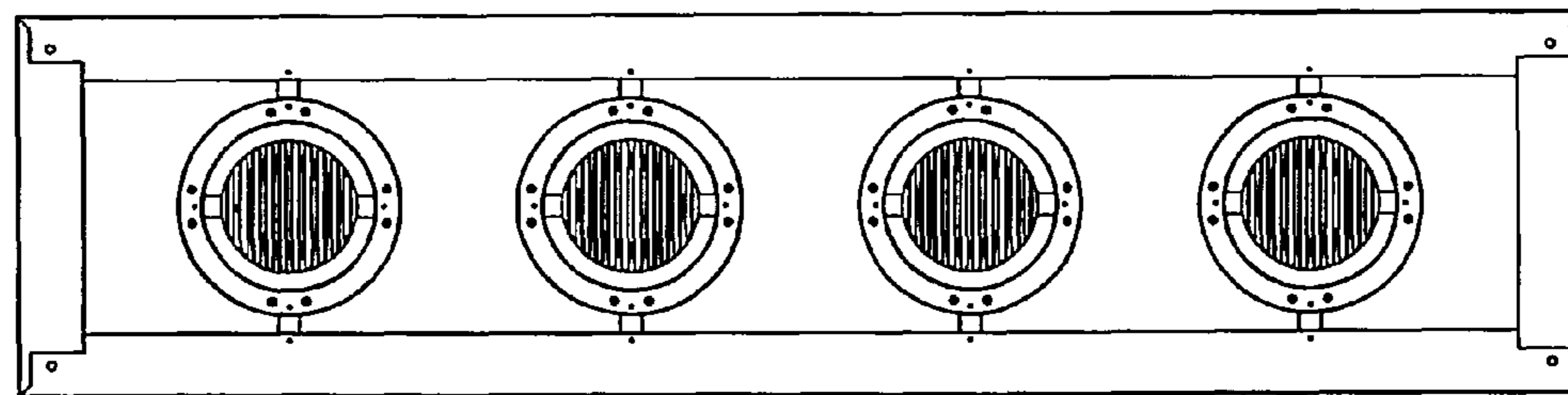


FIG. 5

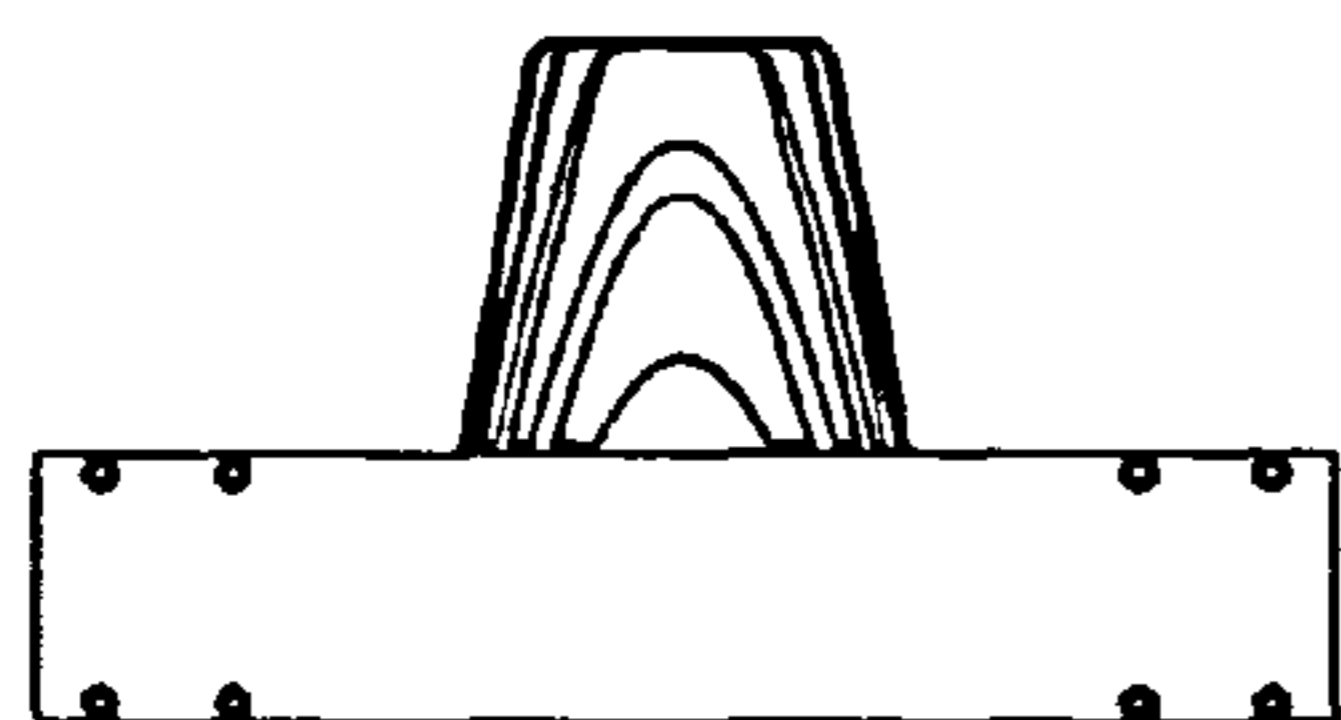


FIG. 6

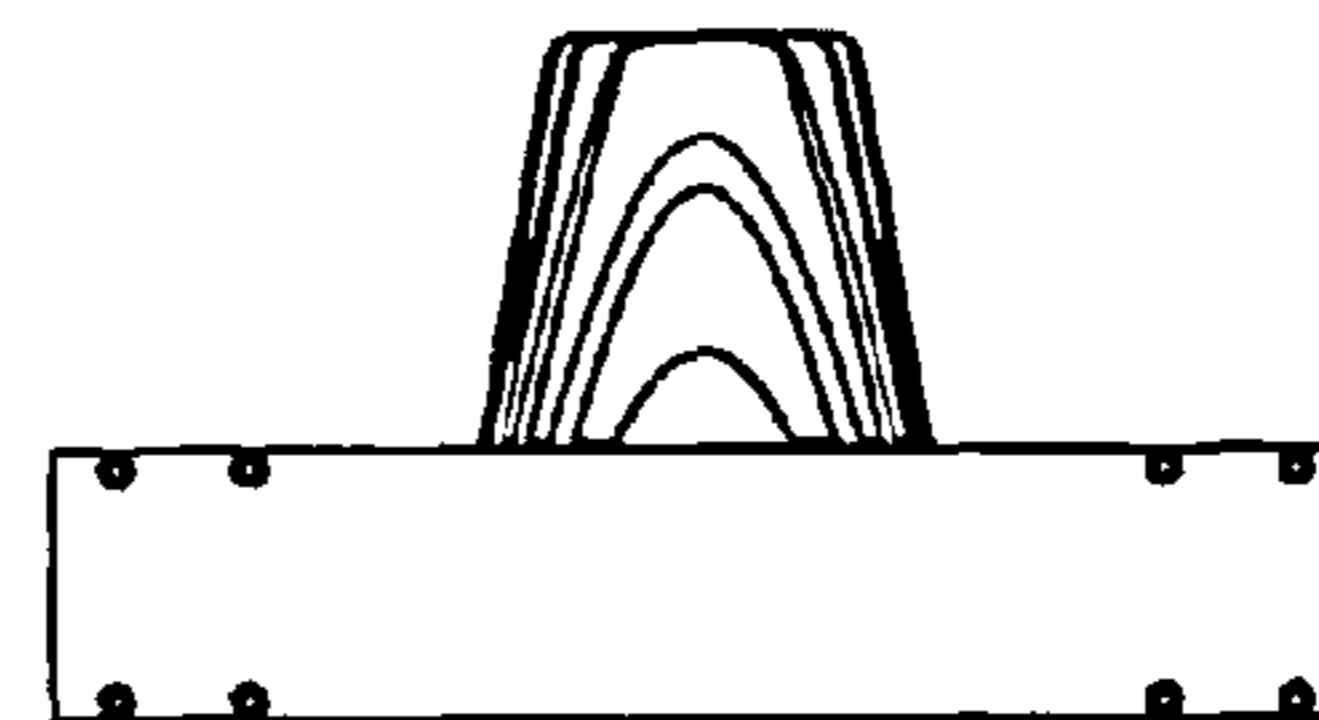


FIG. 7