

US00D699879S

(12) **United States Design Patent**  
**Haenel**

(10) **Patent No.:** **US D699,879 S**

(45) **Date of Patent:** **\*\* Feb. 18, 2014**

(54) **MEDICAL LAMP**

(75) Inventor: **Martin Haenel**, Munich (DE)

(73) Assignee: **Trumpf Medizin Systeme GmbH + Co. KG**, Saalfeld (DE)

(\*\*) Term: **14 Years**

(21) Appl. No.: **29/413,415**

(22) Filed: **Feb. 15, 2012**

(30) **Foreign Application Priority Data**

Aug. 19, 2011 (EM) ..... 1906355-0001

(51) **LOC (10) Cl.** ..... **26-03**

(52) **U.S. Cl.**  
USPC ..... **D26/63**

(58) **Field of Classification Search**

USPC ..... D26/24, 60-66, 72, 85, 92, 113,  
D26/118-119; 362/89, 217.01, 217.02,  
362/217.1, 217.14, 217.16, 220, 257,  
362/268-69, 275, 277, 282, 285, 310, 362,  
362/368, 370, 382, 404, 418, 425, 427, 432,  
362/457, 804, 549.04; 600/249; D24/137,  
D24/232

See application file for complete search history.

(56) **References Cited**

U.S. PATENT DOCUMENTS

D315,222	S	*	3/1991	Sanborn	.....	D26/63
5,188,454	A	*	2/1993	Quintanilla et al.	.....	362/804
7,311,410	B2		12/2007	Marka		
7,465,065	B2		12/2008	Marka		
7,513,645	B2		4/2009	Marka et al.		
7,614,763	B2		11/2009	Leibinger et al.		
7,746,009	B2		6/2010	Held et al.		
8,292,804	B2		10/2012	Marka et al.		
8,300,906	B2		10/2012	Voelker		
2009/0318770	A1		12/2009	Marka et al.		
2009/0318771	A1		12/2009	Marka et al.		
2012/0075832	A1		3/2012	Schmid et al.		

\* cited by examiner

*Primary Examiner* — Brian N Vinson

(74) *Attorney, Agent, or Firm* — Fish & Richardson P.C.

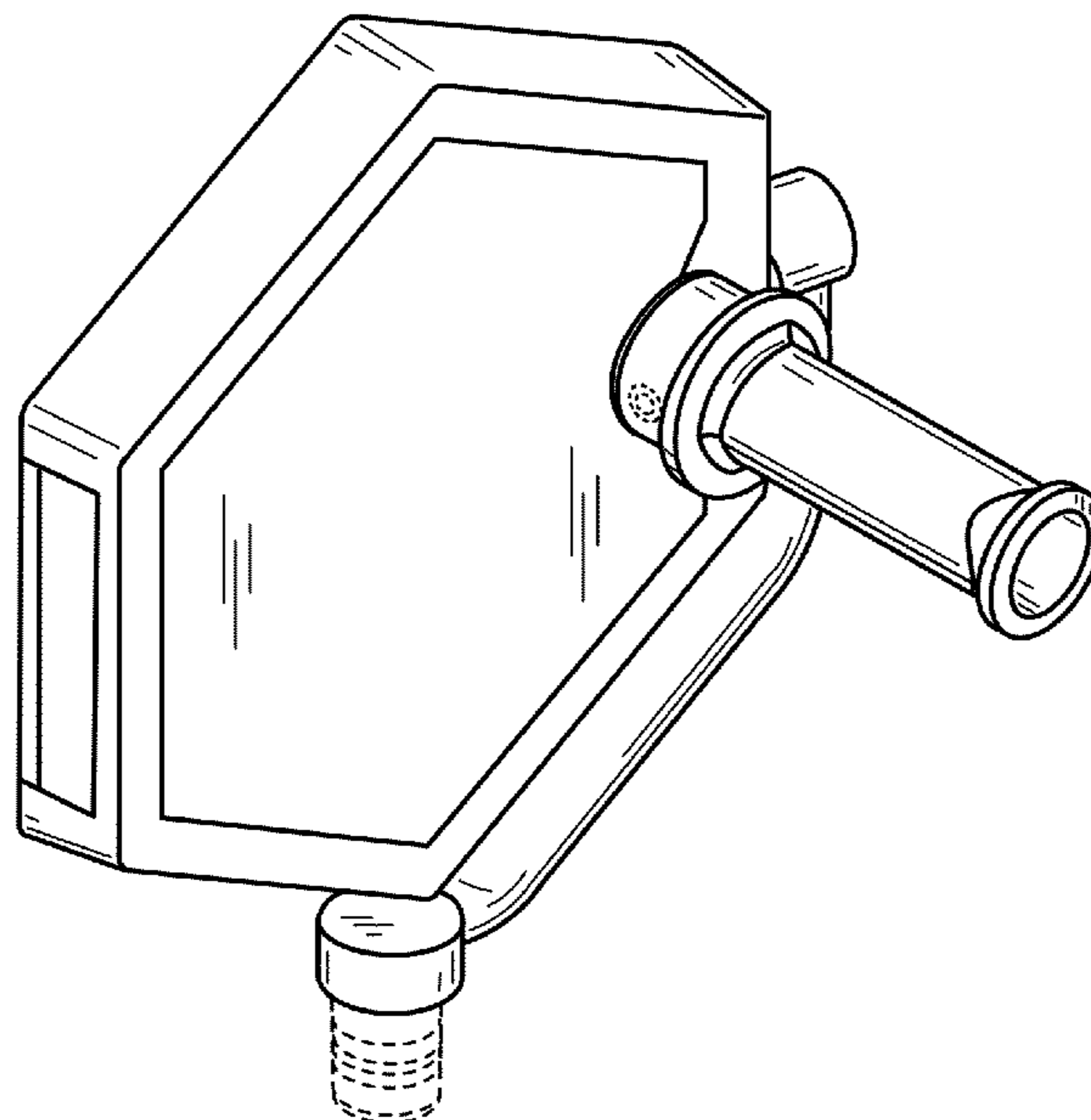
(57) **CLAIM**

The ornamental design for a medical lamp, as shown and described.

**DESCRIPTION**

FIG. 1 is a perspective view of a medical lamp showing my new design;  
FIG. 2 is a front elevational view thereof;  
FIG. 3 is a rear elevational view thereof;  
FIG. 4 is a left side elevational view thereof;  
FIG. 5 is a right side elevational view thereof;  
FIG. 6 is a top plan view thereof; and,  
FIG. 7 is a bottom plan view thereof.  
The broken lines disclosure represents portions of the lamp which form no part of the claimed design.

**1 Claim, 4 Drawing Sheets**



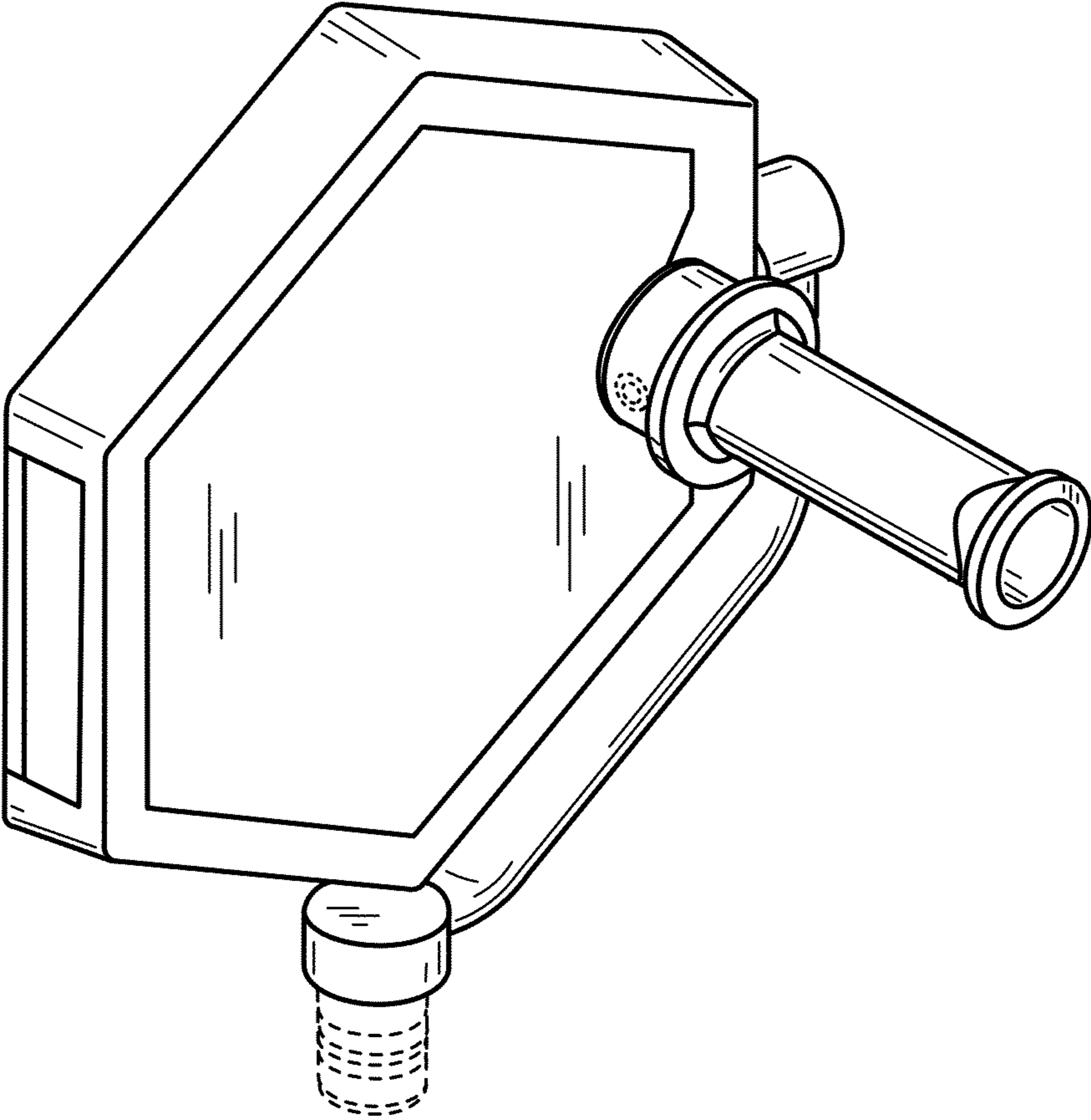


FIG. 1

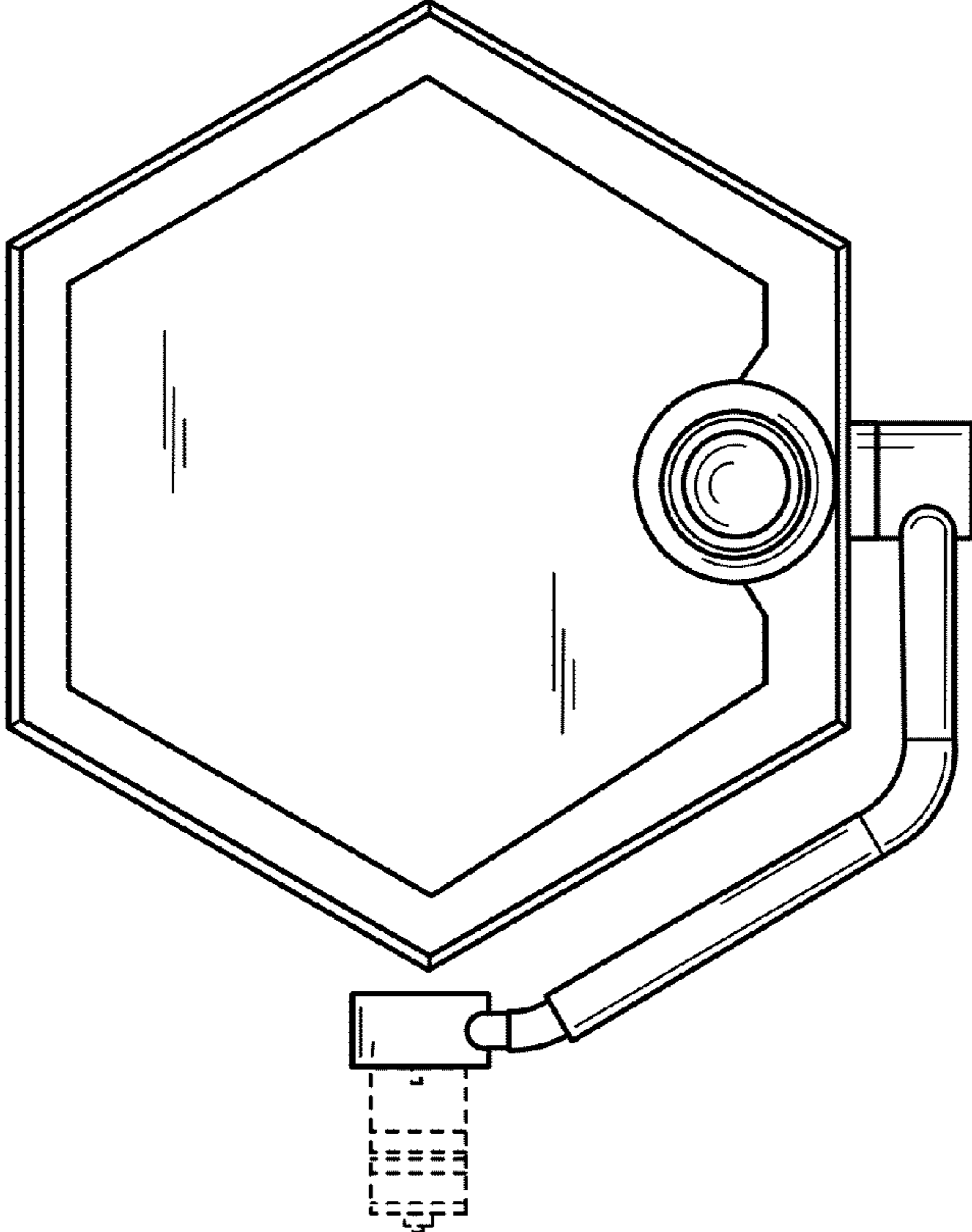


FIG. 2

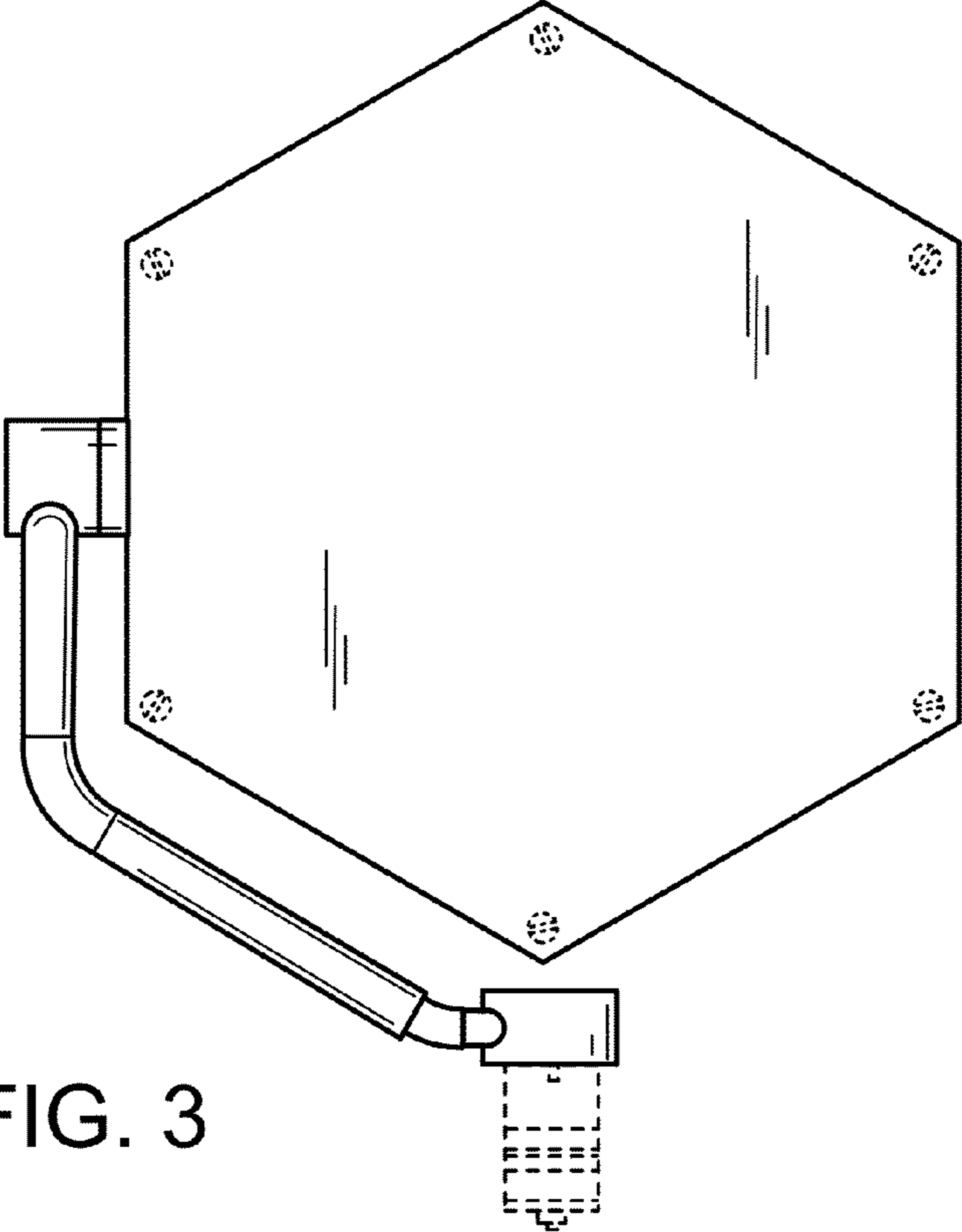


FIG. 3

