

US00D699877S

(12) **United States Design Patent**
Song et al.

(10) **Patent No.:** **US D699,877 S**

(45) **Date of Patent:** **** Feb. 18, 2014**

(54) **FLOODLIGHT LUMINAIRE**

(56)

References Cited

(75) Inventors: **Jin-Young Song**, New Territories (HK);
Jin Cherl Kwon, New Territories (HK)

U.S. PATENT DOCUMENTS

(73) Assignee: **Koninklijke Philips N.V.**, Eindhoven
(NL)

D226,020	S	*	1/1973	Anderson et al.	D26/63
D291,360	S	*	8/1987	De Vos et al.	D26/63
D625,870	S	*	10/2010	Feigenbaum	D26/63
D645,184	S	*	9/2011	Zhan	D26/63
D645,594	S	*	9/2011	Grawe	D26/63
D650,109	S	*	12/2011	Maxik et al.	D26/63
D666,345	S	*	8/2012	Wang	D26/63

(**) **Term:** **14 Years**

* cited by examiner

(21) **Appl. No.:** **29/412,943**

Primary Examiner — Brian N Vinson

(22) **Filed:** **Feb. 9, 2012**

(30) **Foreign Application Priority Data**

(57)

CLAIM

Aug. 11, 2011 (EM) 001903295-0001

The ornamental design for a floodlight luminaire, as shown.

(51) **LOC (10) Cl.** **26-03**

DESCRIPTION

(52) **U.S. Cl.**

USPC **D26/63**

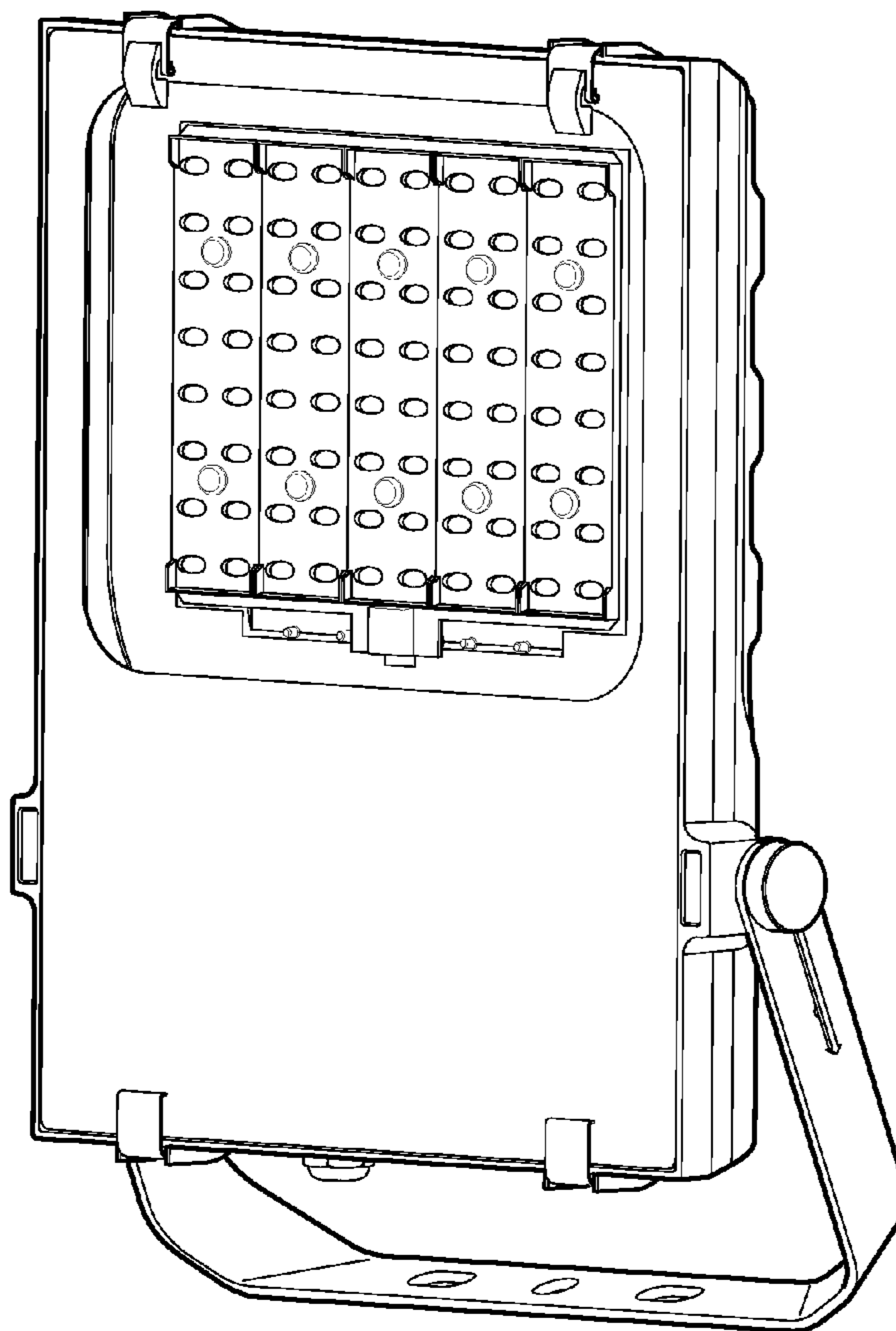
(58) **Field of Classification Search**

USPC D26/24, 60–66, 72, 85, 92, 113,
D26/118–119; 362/89, 217.01, 217.02,
362/217.1, 217.14, 217.16, 220, 257,
362/268–69, 275, 277, 282, 285, 310, 362,
362/368, 370, 382, 404, 418, 425, 427, 432,
362/457, 804, 549.04, 648

FIG. 1 is a perspective view showing my design;
FIG. 2 is a front elevational view thereof;
FIG. 3 is a rear elevational view thereof;
FIG. 4 is a right side elevational view thereof;
FIG. 5 is a left side elevational view thereof;
FIG. 6 is a top plan view thereof; and,
FIG. 7 is a bottom plan view thereof.

See application file for complete search history.

1 Claim, 5 Drawing Sheets



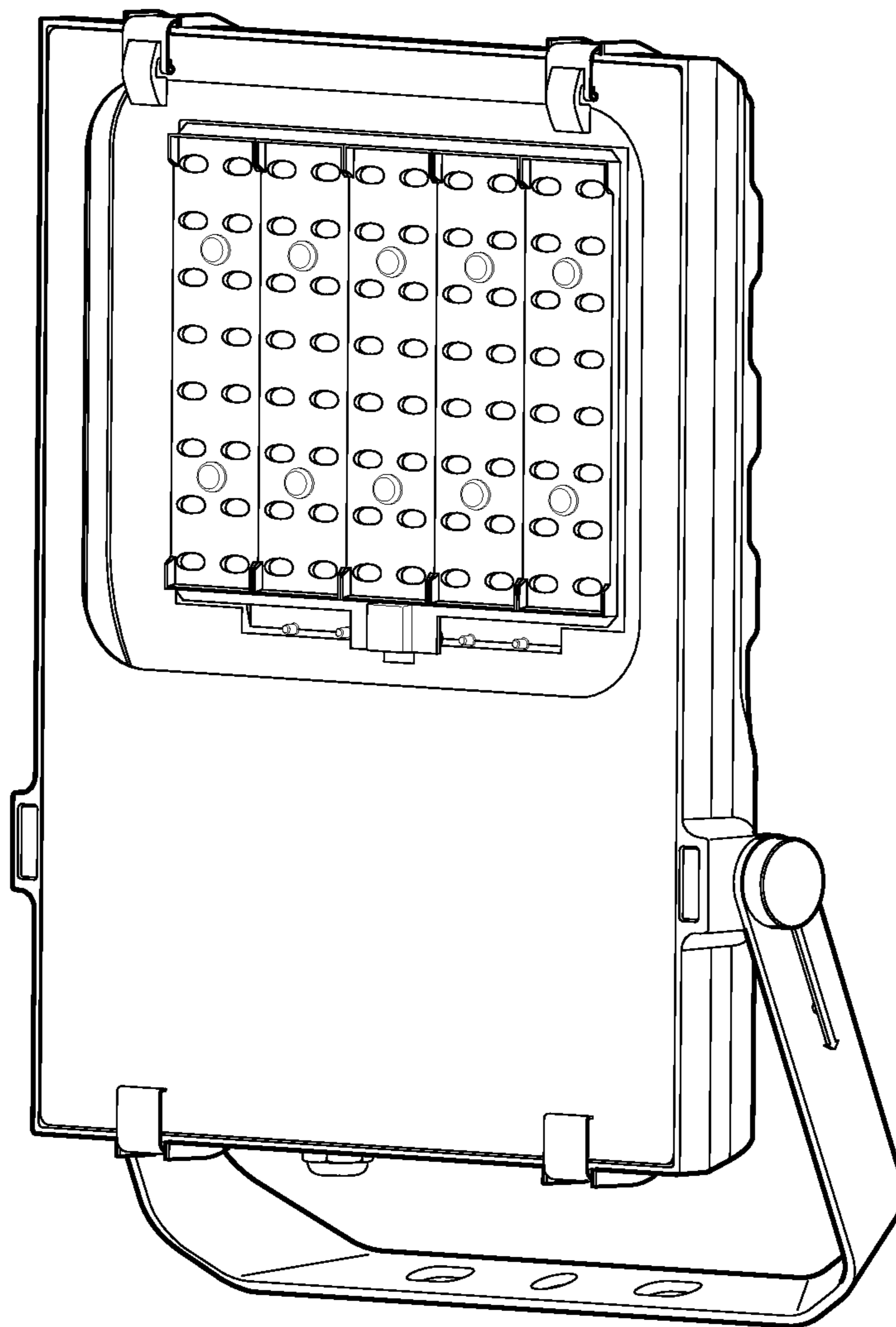


FIG. 1

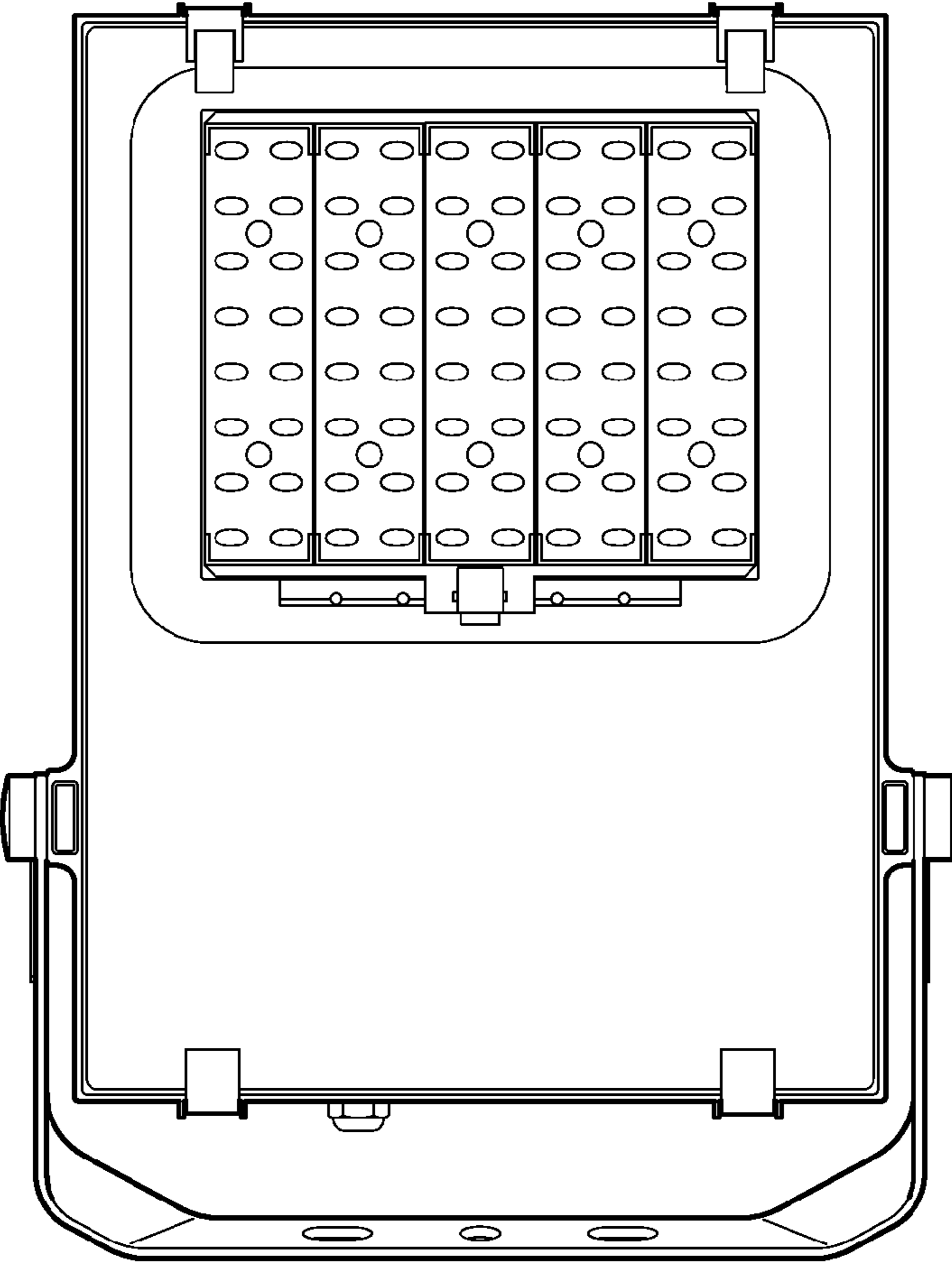


FIG. 2

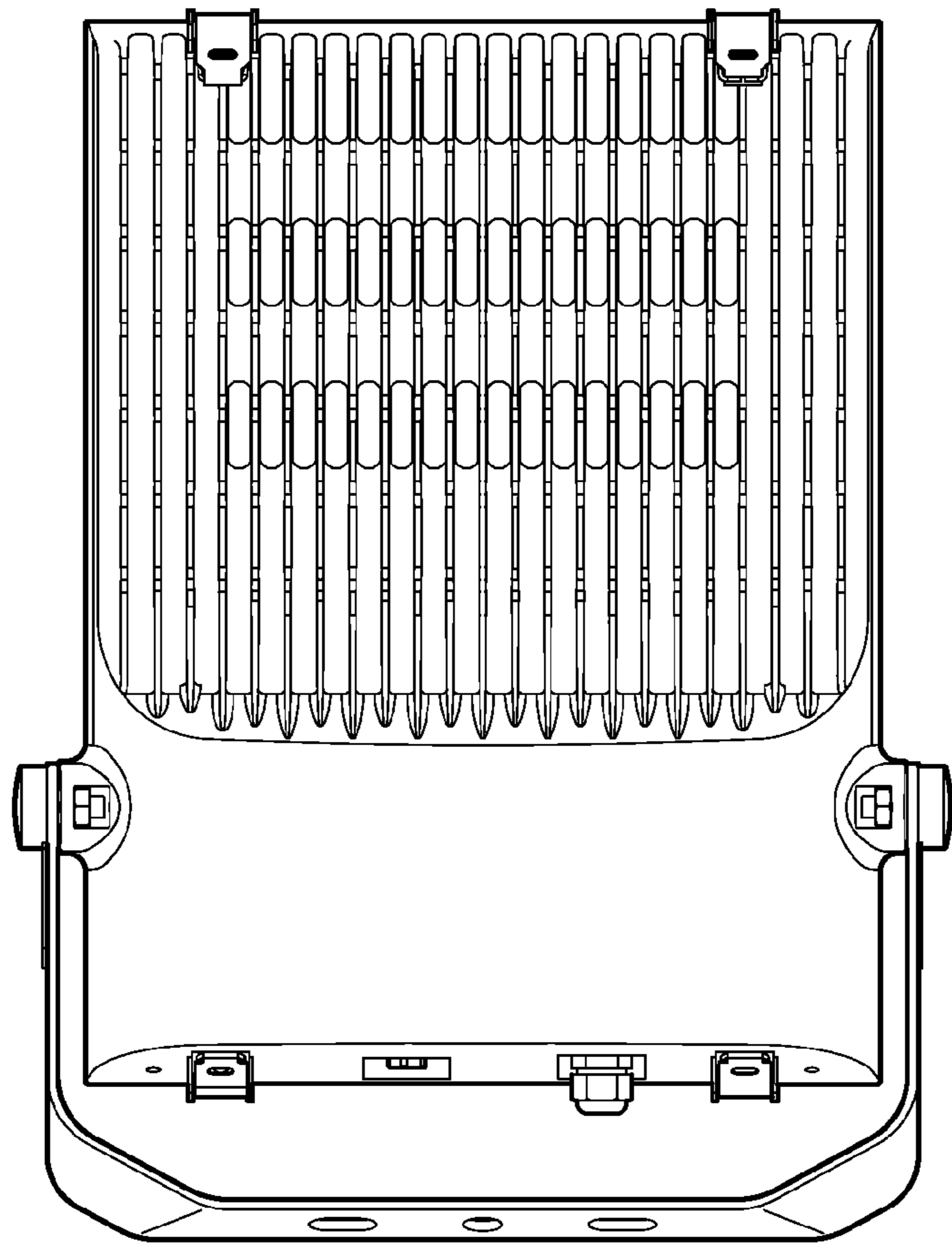


FIG. 3

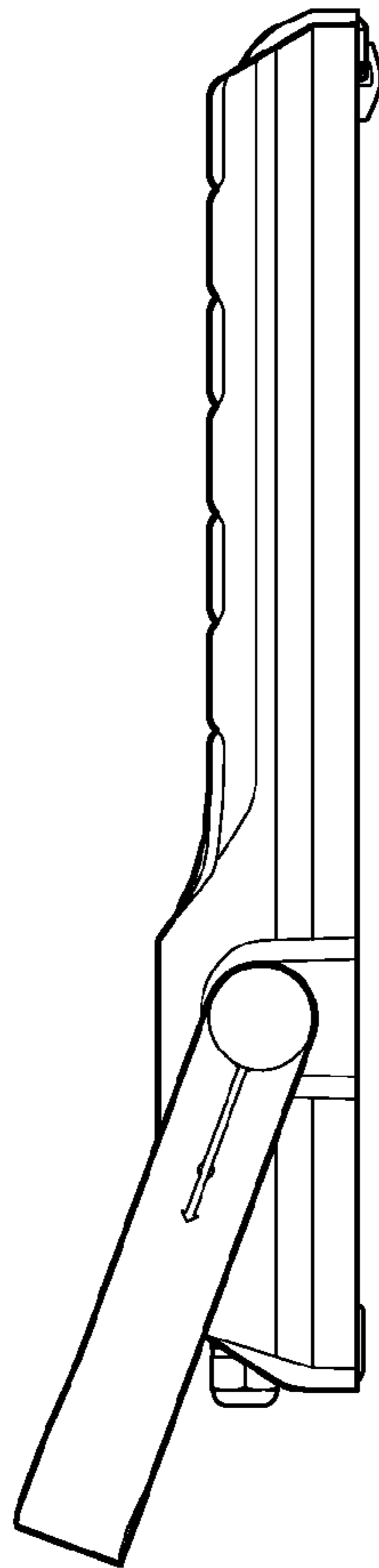


FIG. 4

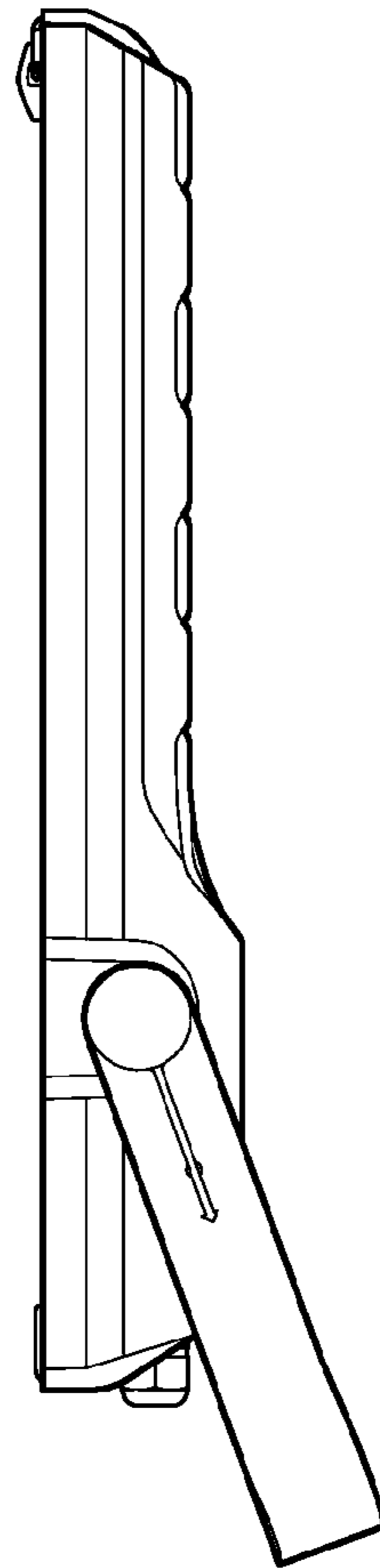


FIG. 5

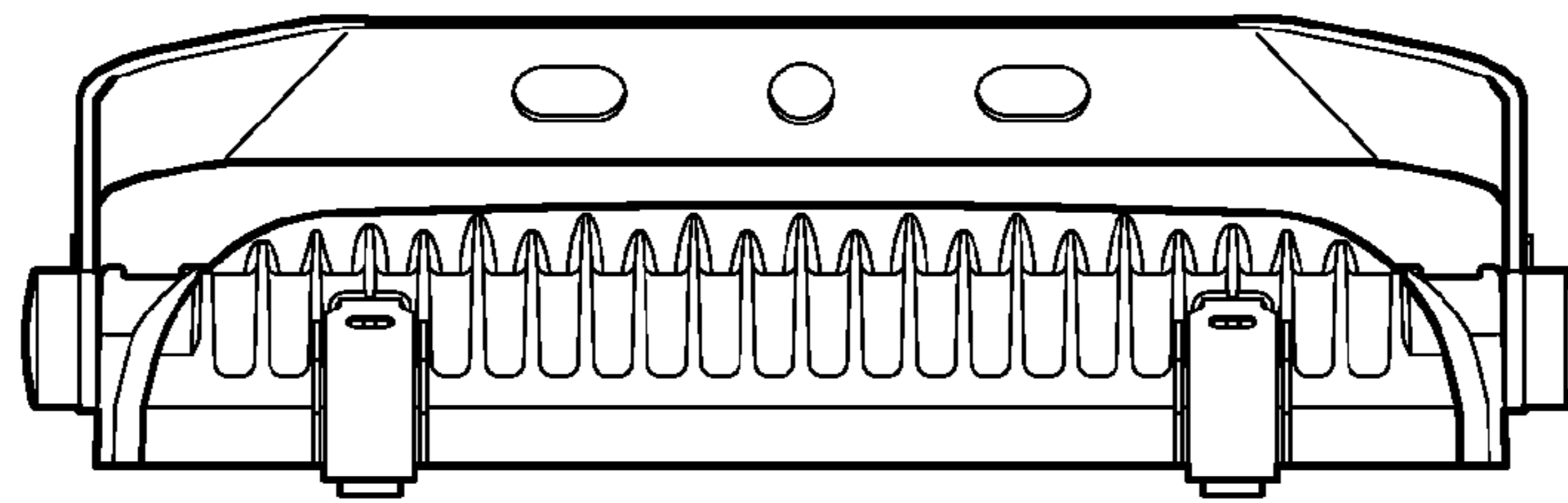


FIG. 6

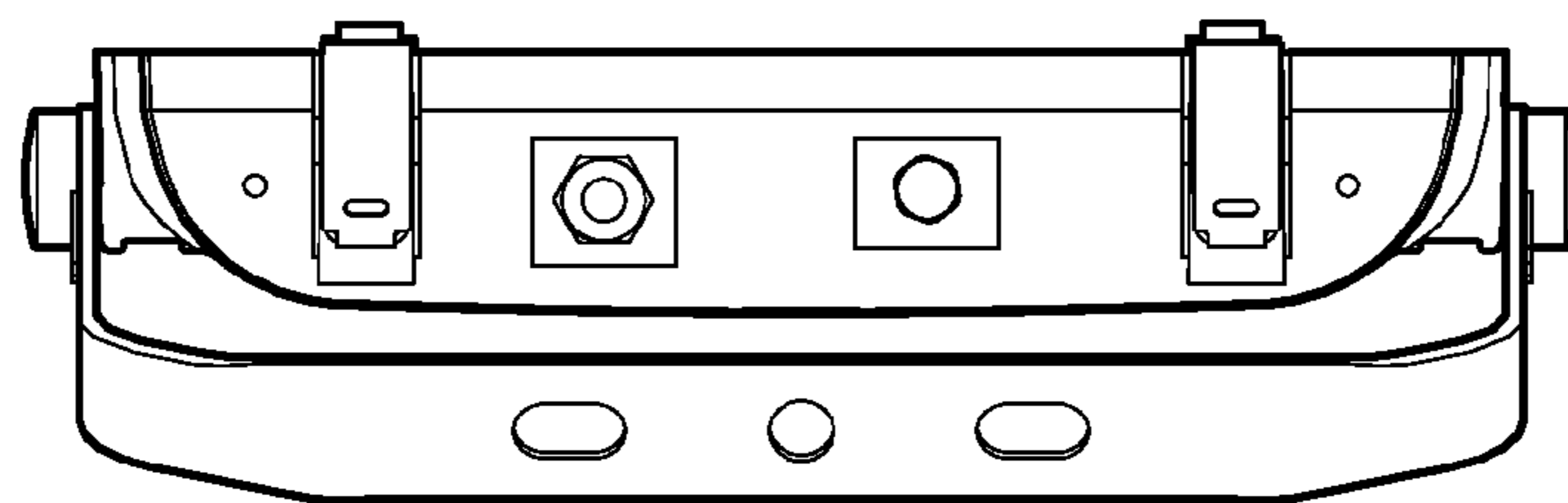


FIG. 7