



US00D699876S

(12) **United States Design Patent**
Kingston et al.

(10) **Patent No.:** **US D699,876 S**

(45) **Date of Patent:** **** Feb. 18, 2014**

(54) **LIGHTING DEVICE**

(75) Inventors: **Ronald J. Kingston**, Syracuse, NY
(US); **Mark A. Ferguson**, Memphis, NY
(US); **Matthew G. Law**, Sheffield Lake,
OH (US); **Michael W. Sanders**,
O'Fallen, MO (US)

(73) Assignee: **Eveready Battery Company, Inc.**, St.
Louis, MO (US)

(**) Term: **14 Years**

(21) Appl. No.: **29/427,043**

(22) Filed: **Jul. 13, 2012**

(51) **LOC (10) Cl.** **26-02**

(52) **U.S. Cl.**
USPC **D26/46**

(58) **Field of Classification Search**
USPC D25/37, 38, 46, 48, 49; 362/157, 158,
362/183, 184, 194, 195, 196, 202, 203, 204,
362/205, 206, 207, 208

See application file for complete search history.

(56) **References Cited**

U.S. PATENT DOCUMENTS

D311,780	S	*	10/1990	Urquhart	D26/46
D453,580	S	*	2/2002	Lynch et al.	D26/46
D592,339	S	*	5/2009	Crawford et al.	D26/37
D597,690	S	*	8/2009	Yamamoto	D26/37
D606,220	S	*	12/2009	Kim	D26/46
D617,023	S	*	6/2010	Rugendyke et al.	D26/46
D668,803	S	*	10/2012	Yang et al.	D26/46

* cited by examiner

Primary Examiner — Brian N Vinson

(74) *Attorney, Agent, or Firm* — Russell H. Toye, Jr.

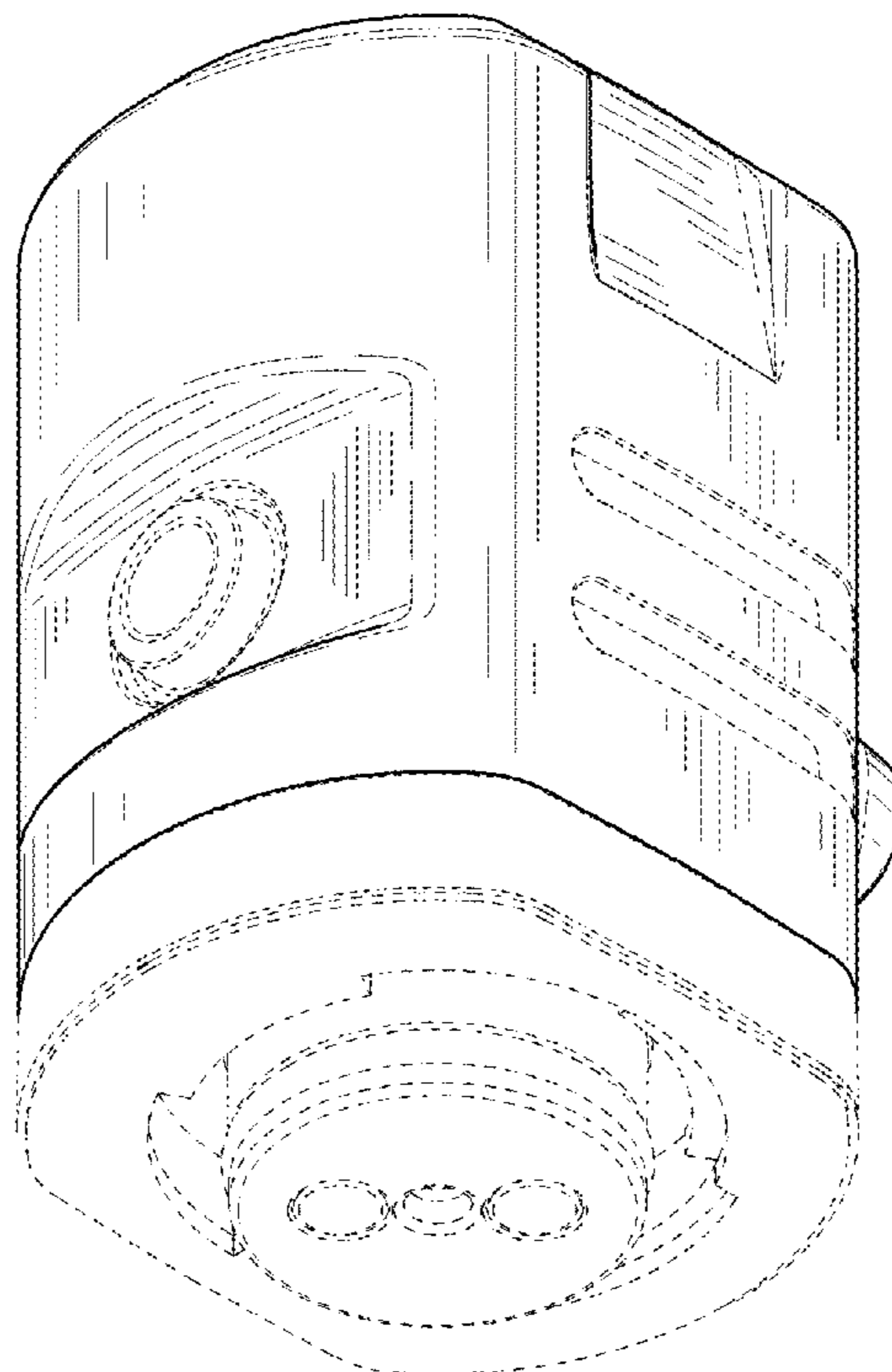
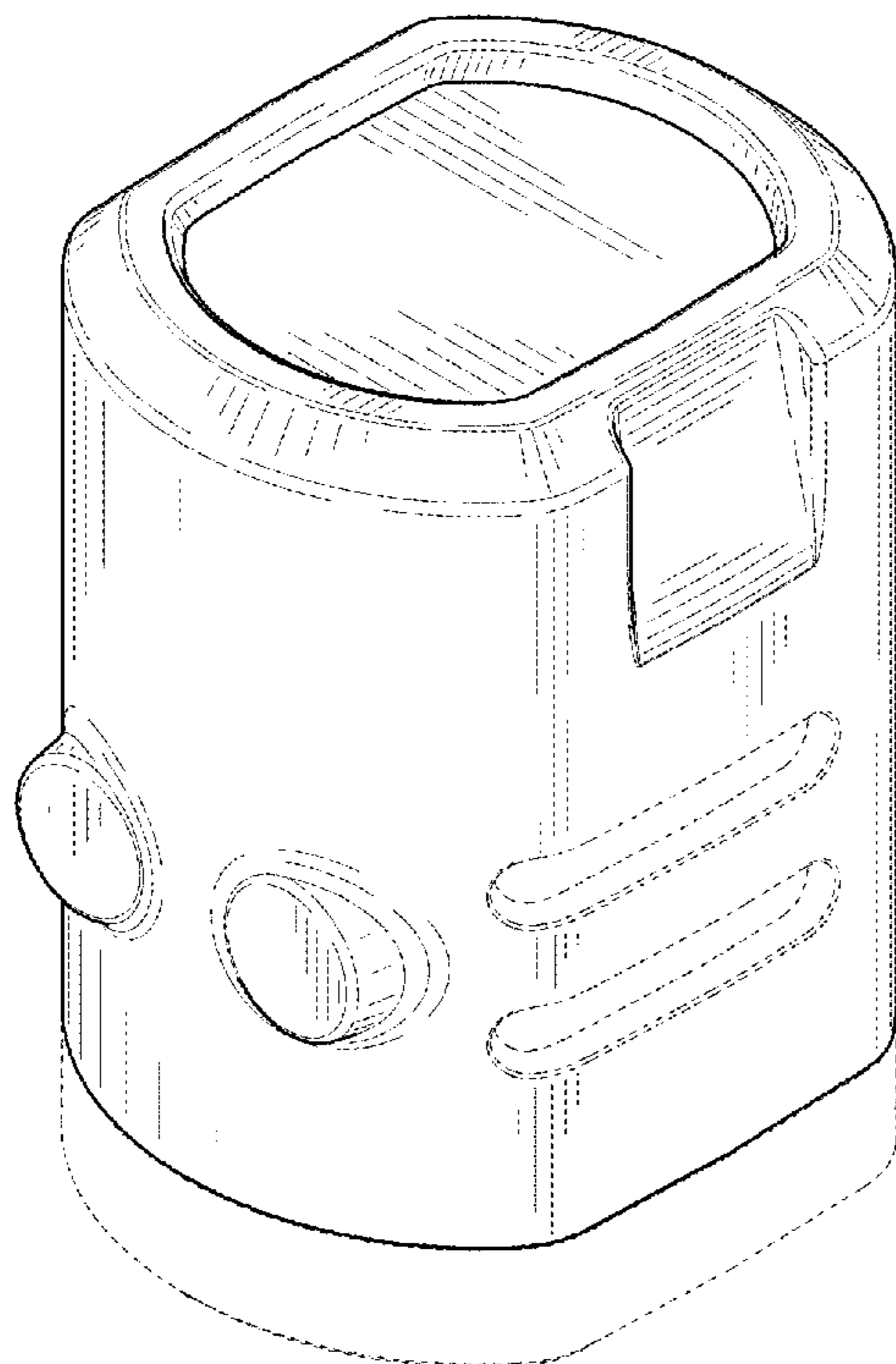
(57) **CLAIM**

We claim the ornamental design for a lighting device, as shown and described.

DESCRIPTION

FIG. 1 is a bottom perspective view of the design.
FIG. 2 is a top perspective view of the design.
FIG. 3 is a left view of the design.
FIG. 4 is a right view of the design.
FIG. 5 is a bottom view of the design.
FIG. 6 is a top view of the design.
FIG. 7 is a front view of the design; and,
FIG. 8 is a rear view of the design.
Any broken line(s) shown are for illustrative purposes only and form no part of the claimed design.

1 Claim, 4 Drawing Sheets



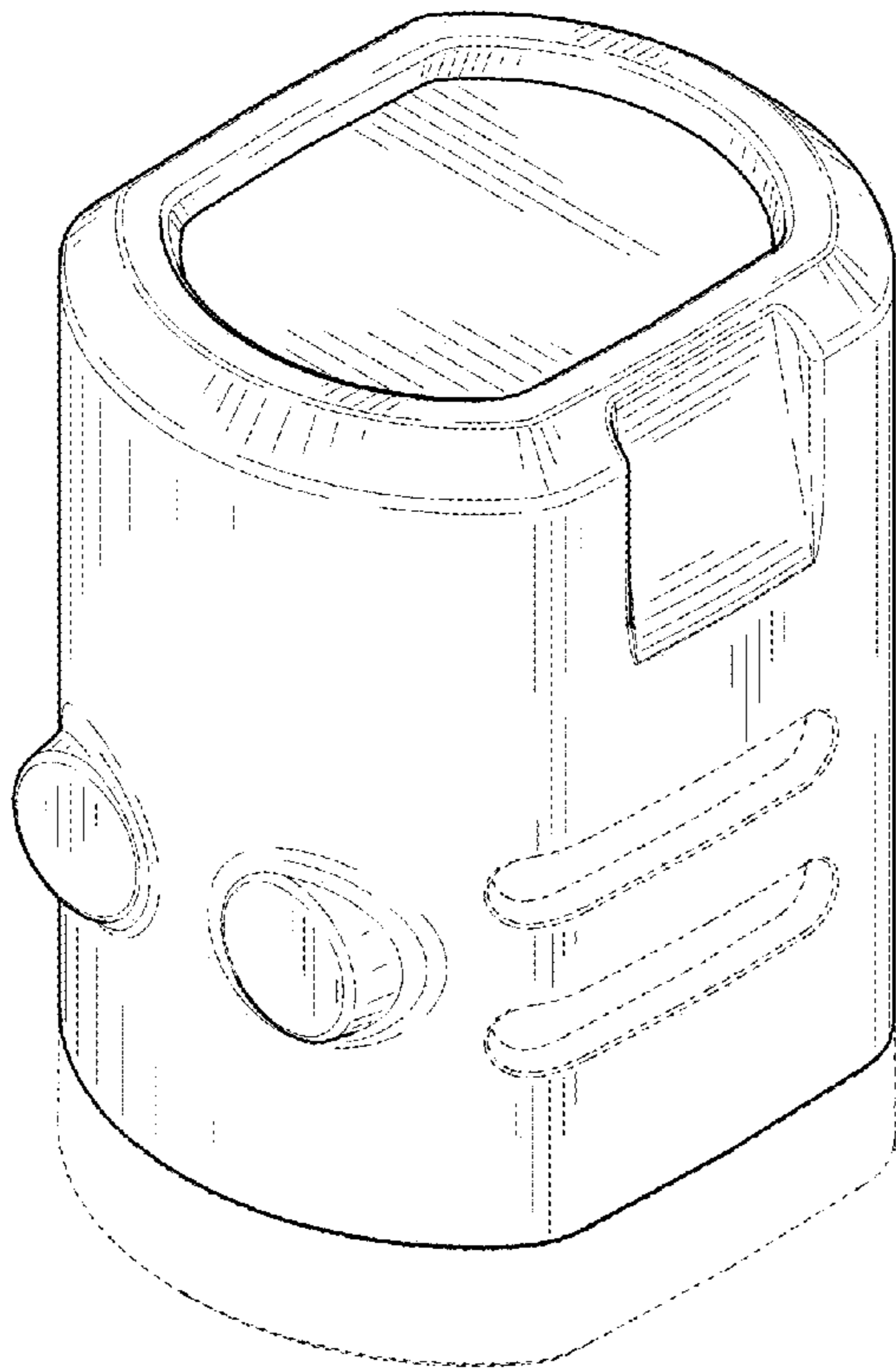


Fig. 1

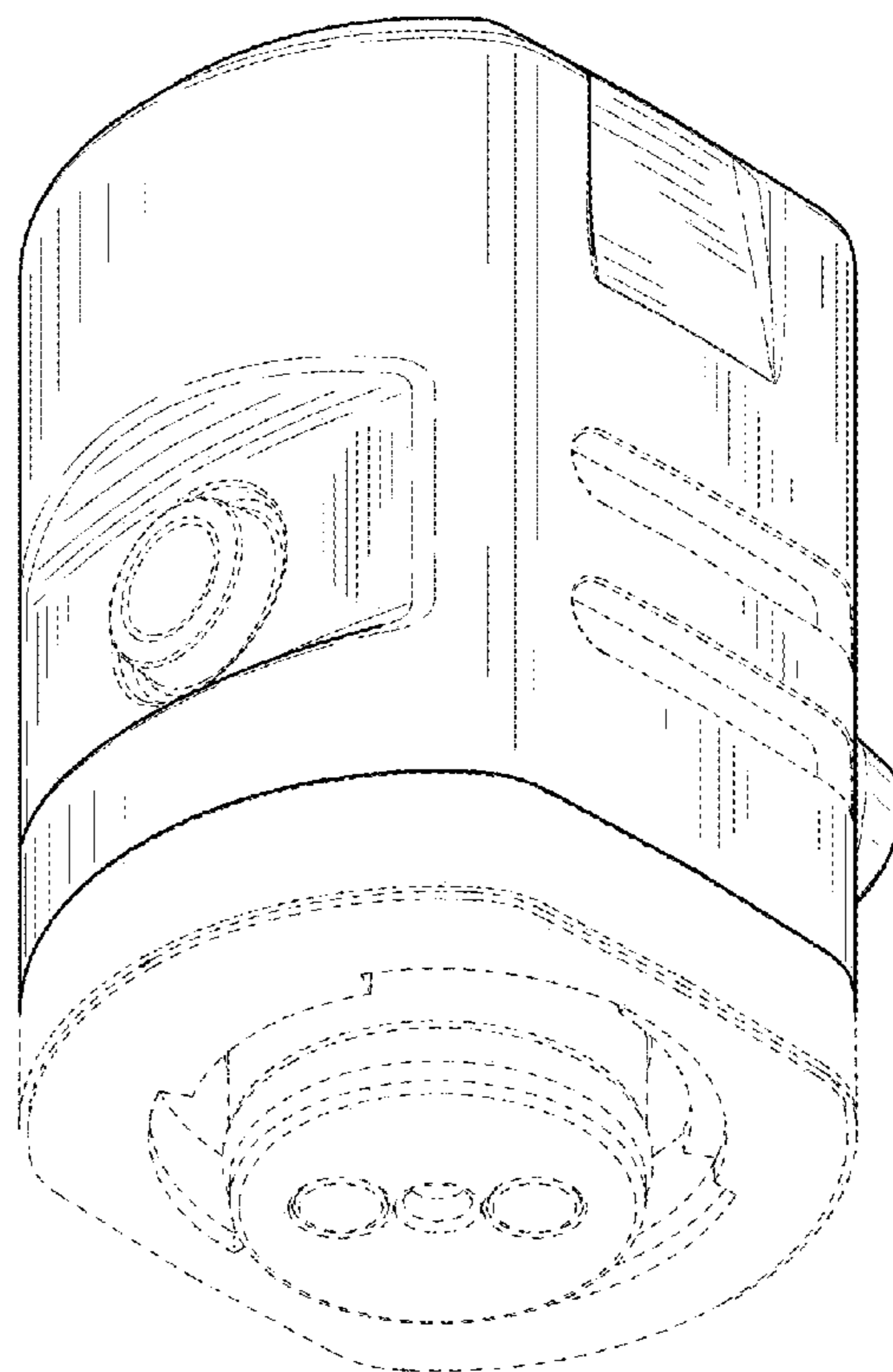


Fig. 2

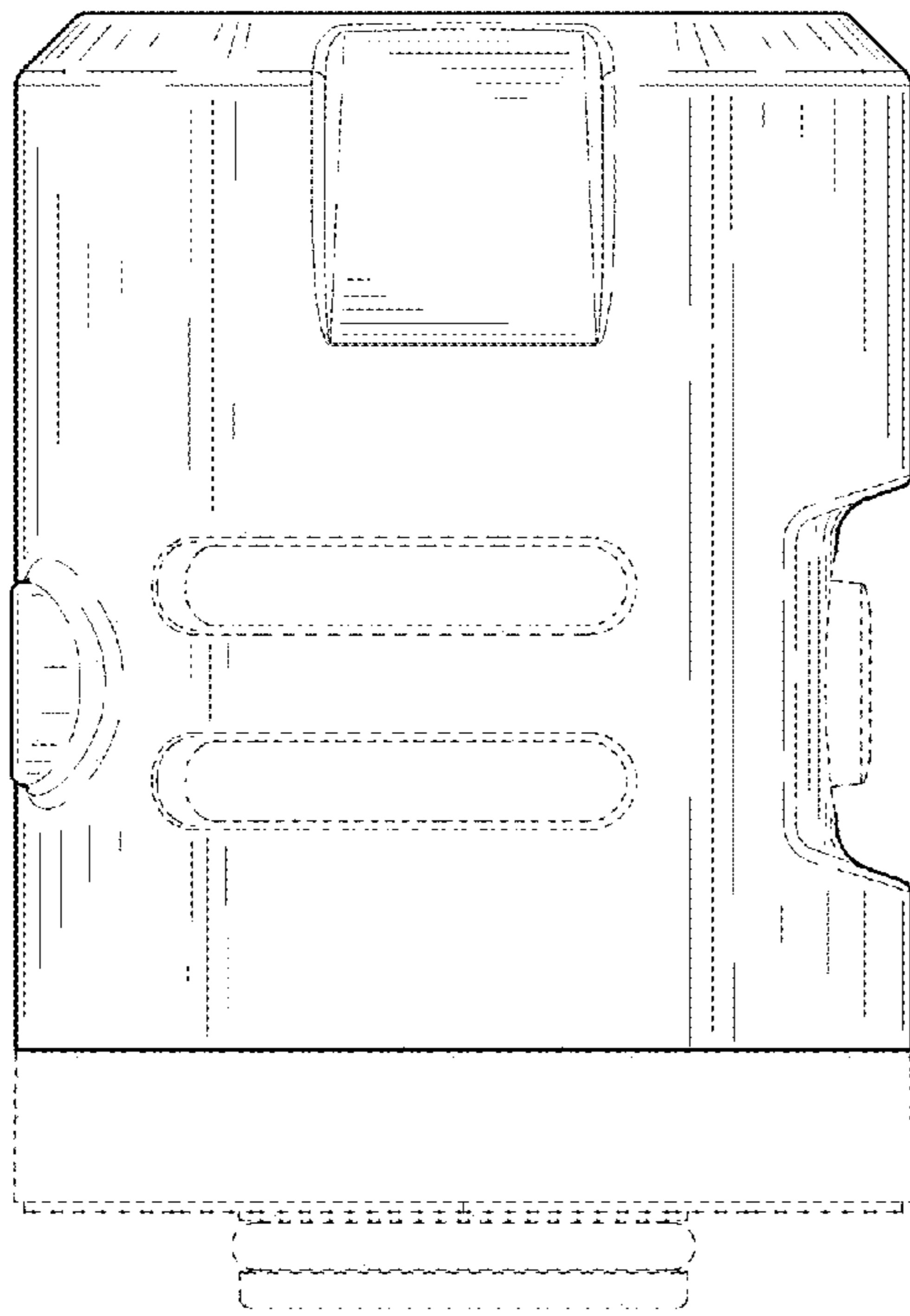


Fig. 3

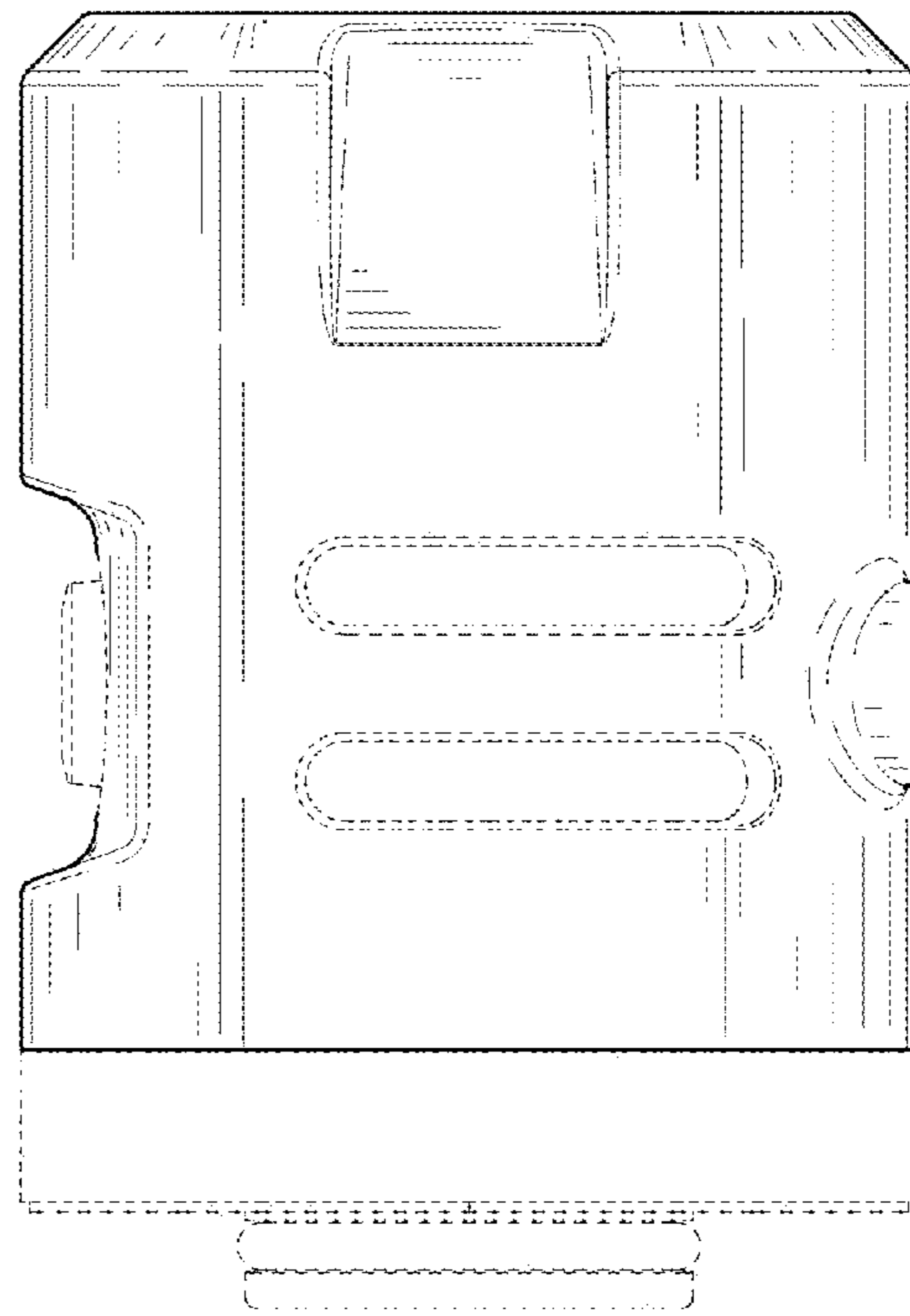


Fig. 4

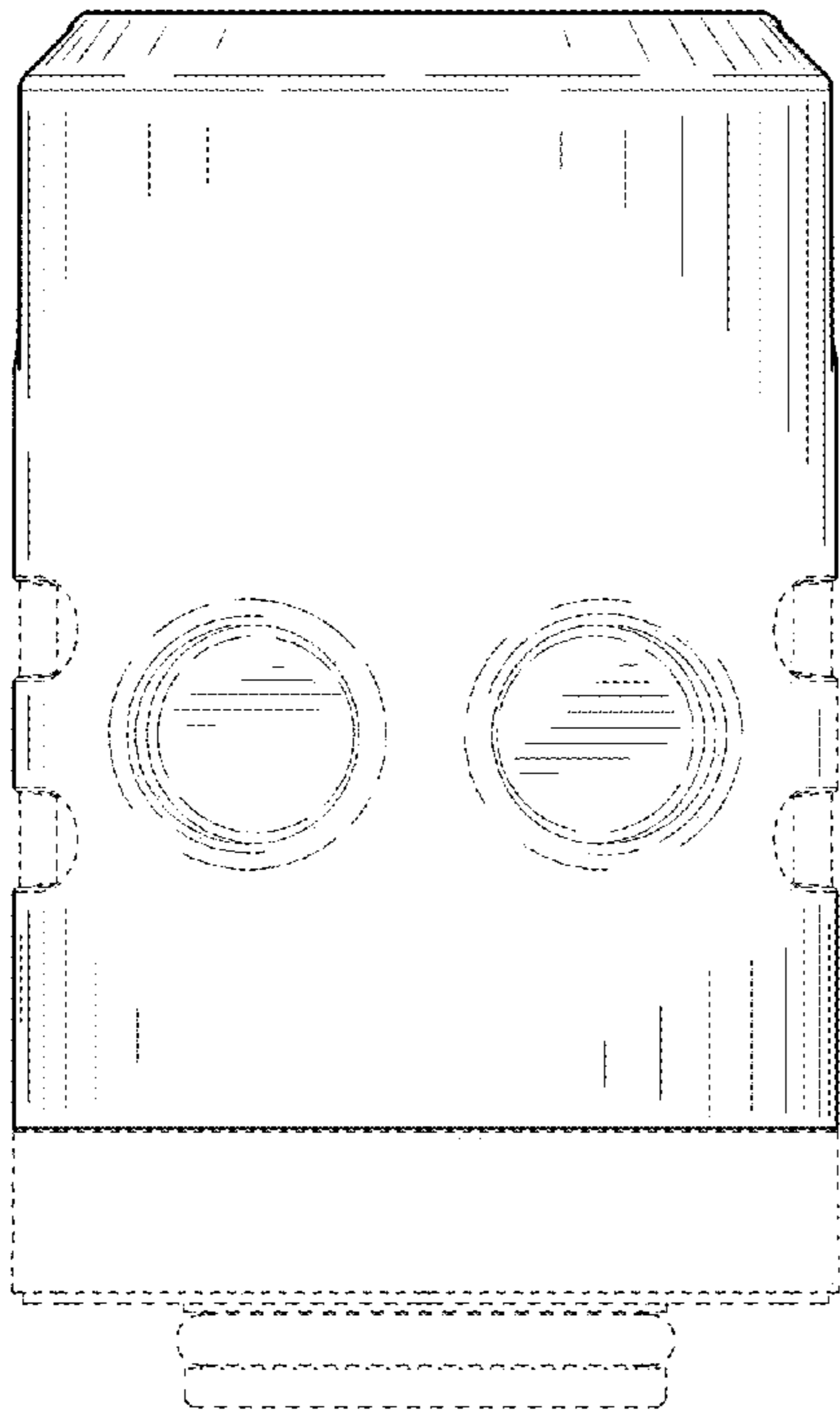


Fig. 5

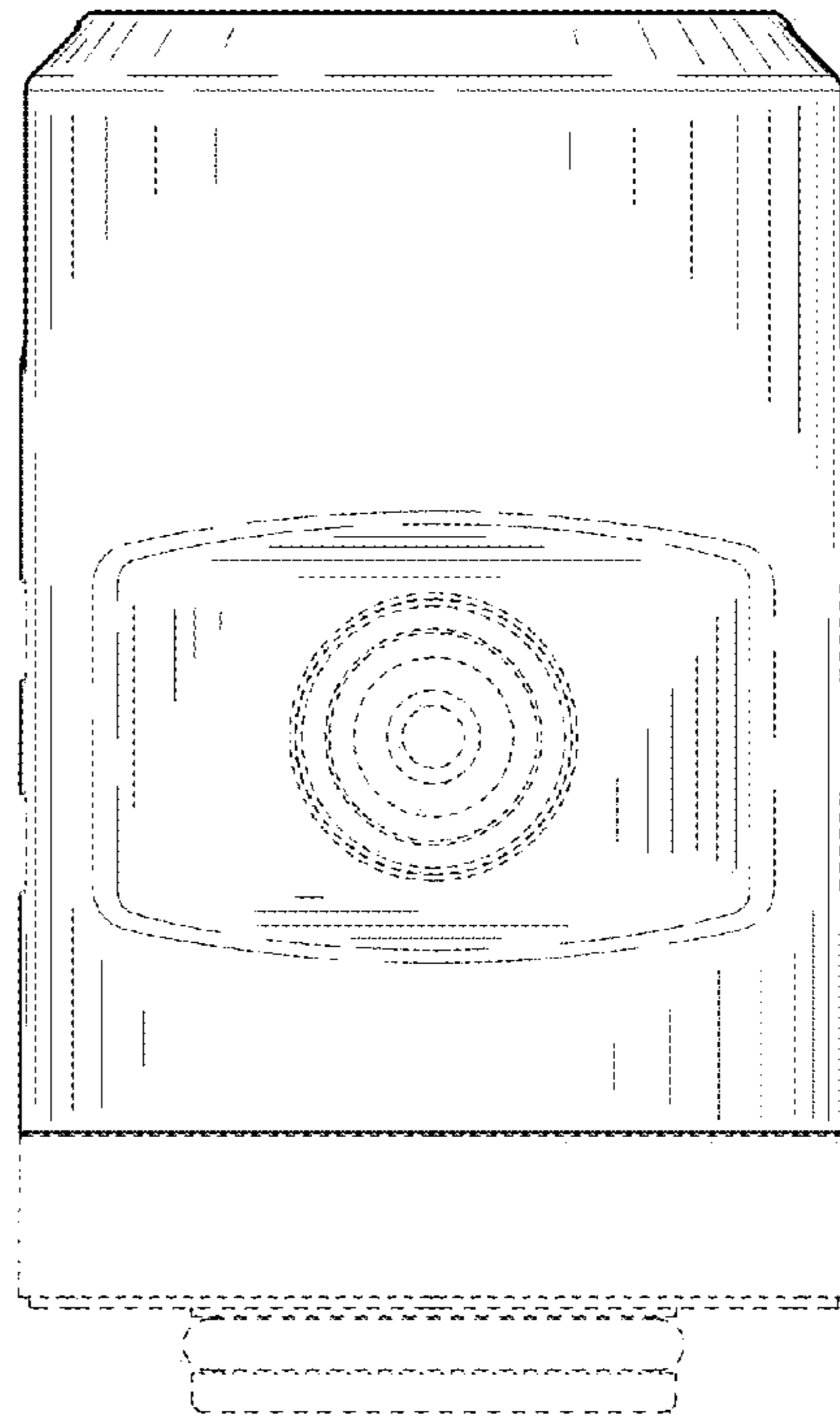


Fig. 6

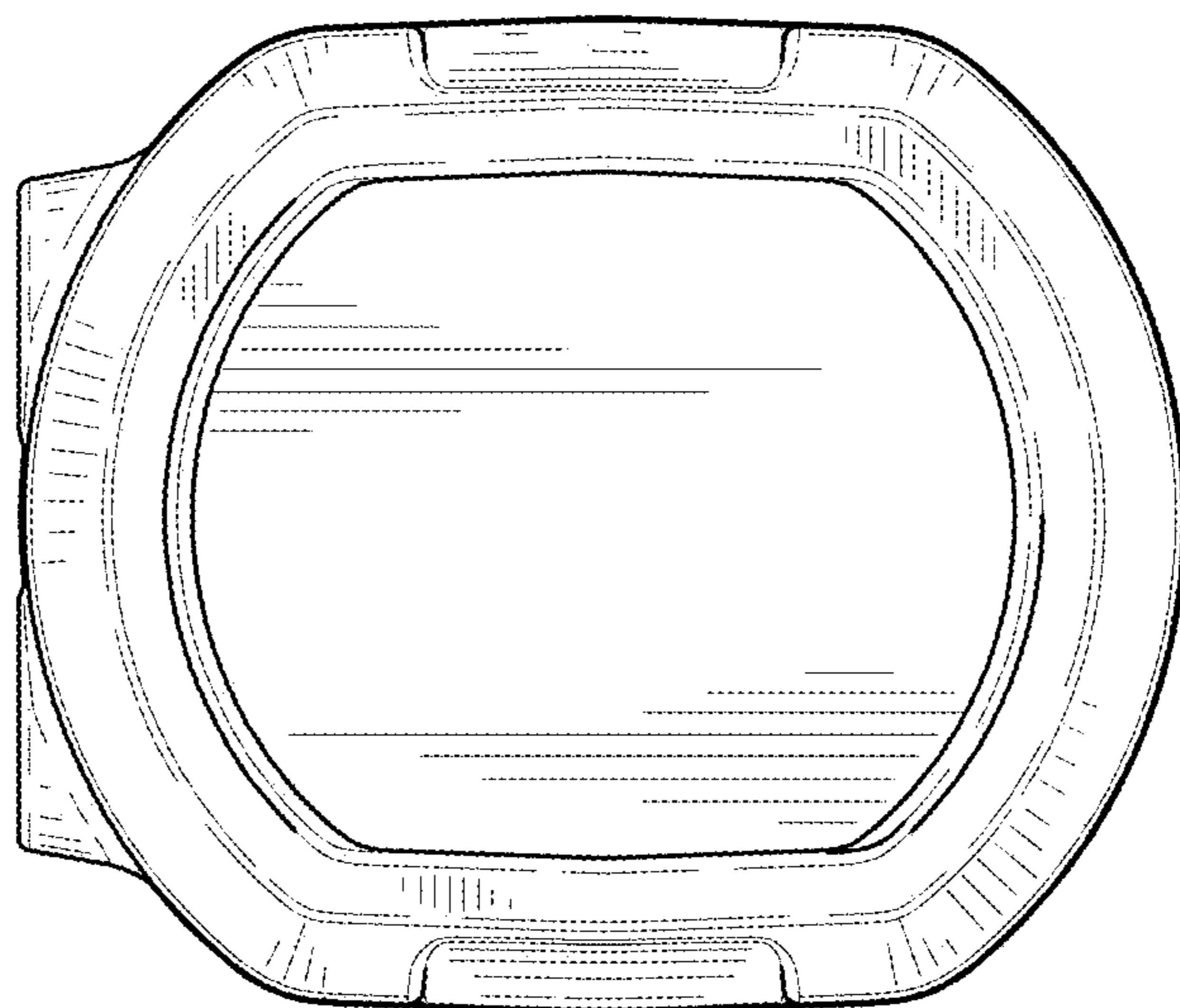


Fig. 7

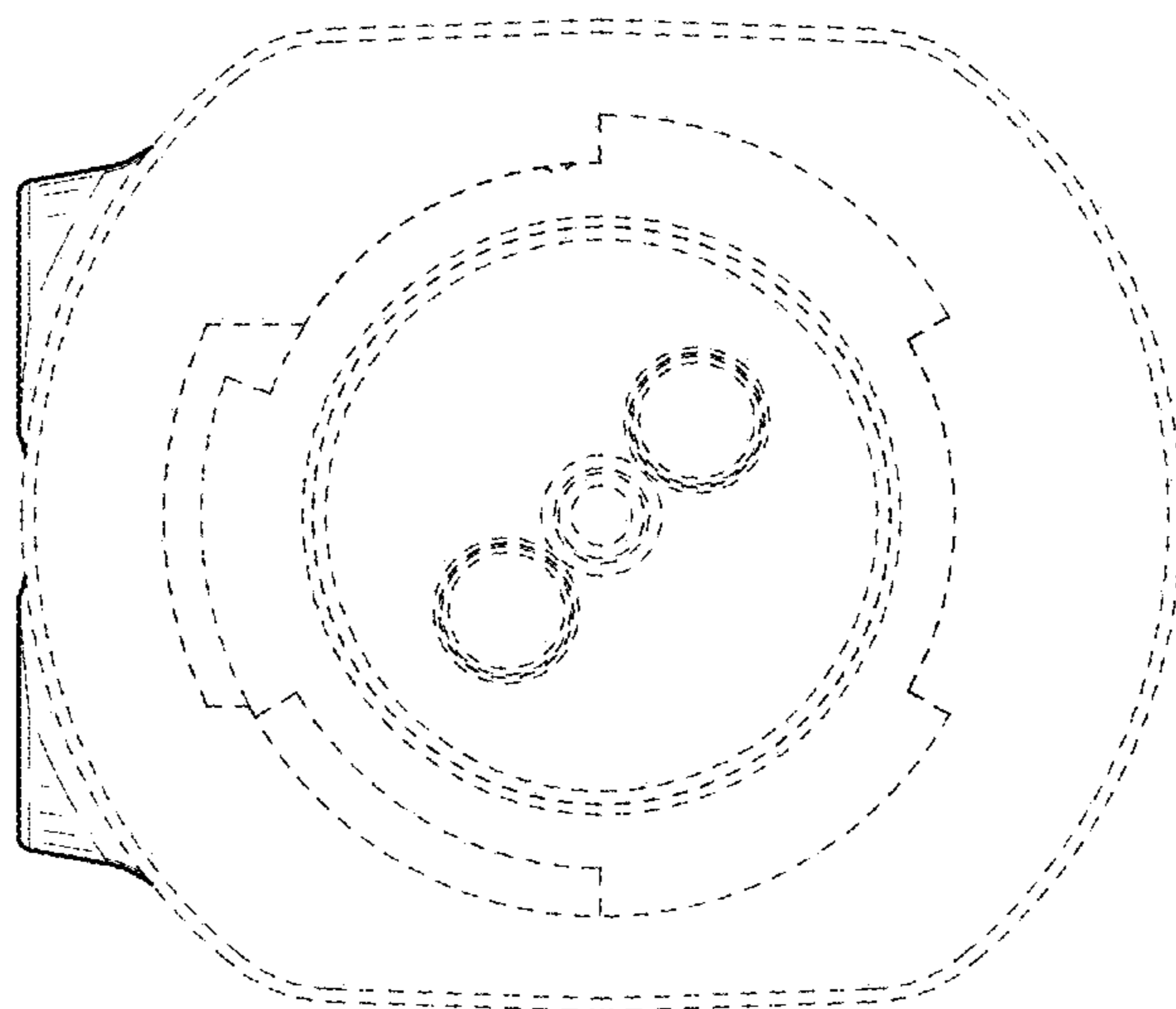


Fig. 8