



US00D699874S

(12) **United States Design Patent**  
**Chilton et al.**

(10) **Patent No.:** **US D699,874 S**  
(45) **Date of Patent:** **\*\* Feb. 18, 2014**

- (54) **PORTABLE LIGHT**
- (75) Inventors: **Robin Blake Kiran Chilton**, London (GB); **Sean Sun**, Shenzhen (CN)
- (73) Assignee: **D.Light Design, Inc.**, Grand Cayman (KY)
- (\*\*) Term: **14 Years**
- (21) Appl. No.: **29/430,024**
- (22) Filed: **Aug. 20, 2012**
- (51) **LOC (10) Cl.** ..... **26-02**
- (52) **U.S. Cl.**  
USPC ..... **D26/37**
- (58) **Field of Classification Search**  
USPC ..... D26/37, 38, 40, 41, 42, 46, 50;  
362/157, 158, 171–174, 183, 184,  
362/194–196, 200–208, 253  
See application file for complete search history.

- D511,851 S \* 11/2005 Tai ..... D26/38
- D567,417 S \* 4/2008 Wu et al. .... D26/37
- D608,921 S \* 1/2010 DeBrunner ..... D26/41
- D628,726 S \* 12/2010 Chen ..... D26/37
- D673,316 S \* 12/2012 Oshima et al. .... D26/50

\* cited by examiner

*Primary Examiner* — Ian Simmons

*Assistant Examiner* — Carissa C Fitts

(74) *Attorney, Agent, or Firm* — Morgan, Lewis & Bockius LLP

(57) **CLAIM**

The ornamental design for a portable light, as shown and described.

**DESCRIPTION**

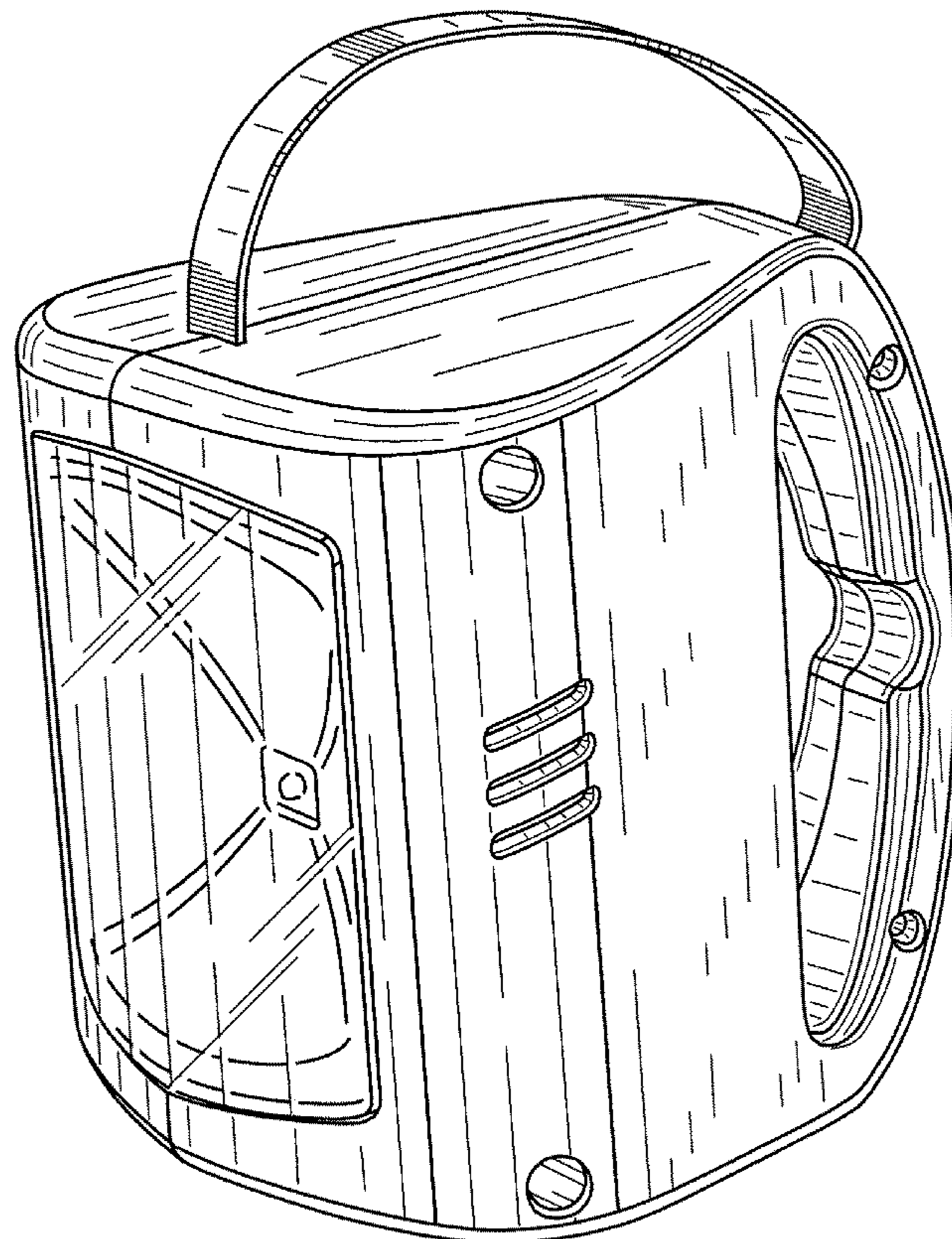
FIG. 1 is a top-front perspective view of an ornamental design for a portable light according to the present invention; FIG. 2 is a bottom-back perspective view thereof; FIG. 3 is a front view thereof; FIG. 4 is a back view thereof; FIG. 5 is a first side view thereof; FIG. 6 is a second side view thereof; FIG. 7 is a top view thereof; and, FIG. 8 is a bottom view thereof.

**1 Claim, 8 Drawing Sheets**

(56) **References Cited**

U.S. PATENT DOCUMENTS

- D292,321 S \* 10/1987 Liu ..... D26/48
- D304,381 S \* 10/1989 Campbell ..... D26/37
- D438,315 S \* 2/2001 Yuen ..... D26/38
- D463,592 S \* 9/2002 Han-Shim ..... D26/42



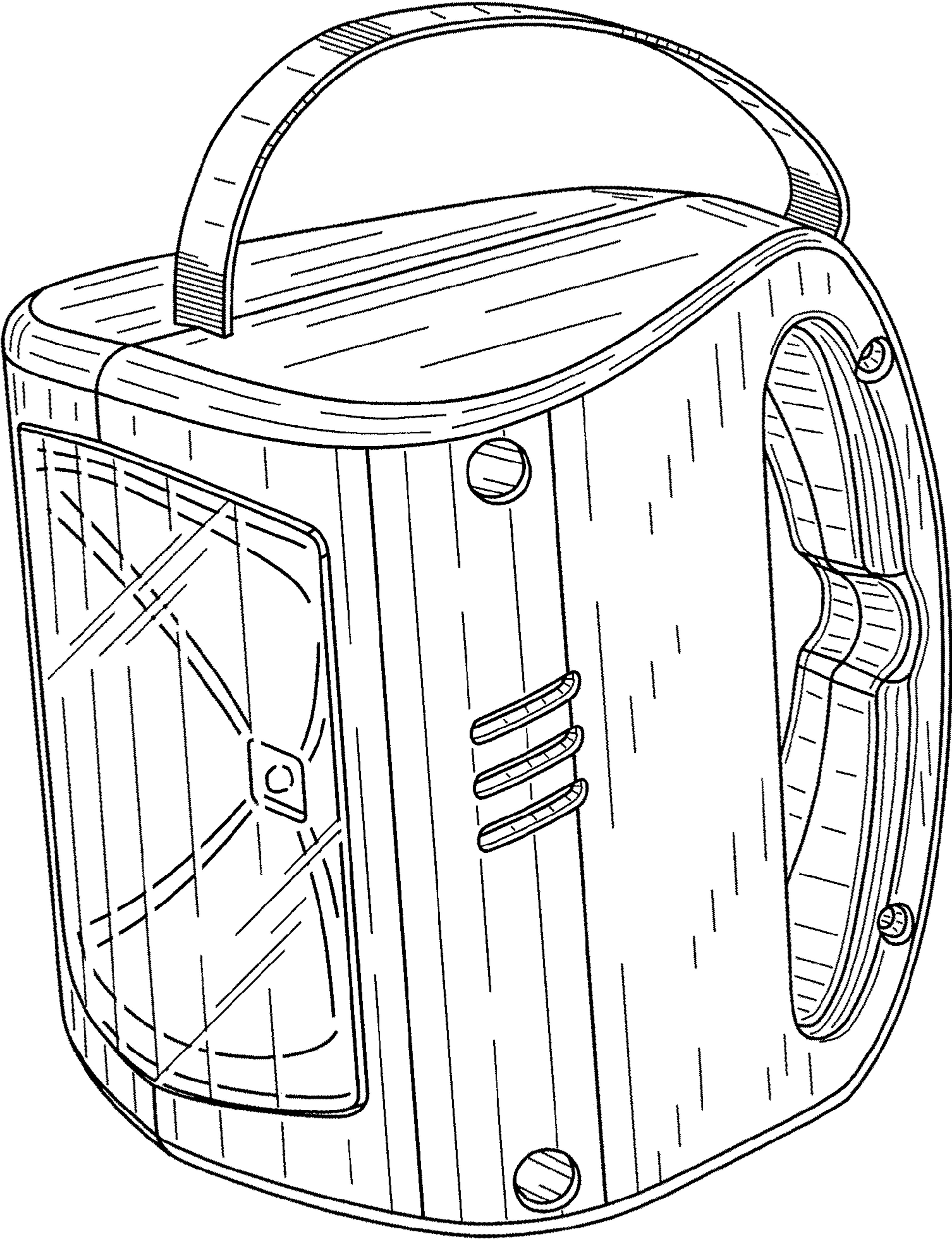


FIG. 1

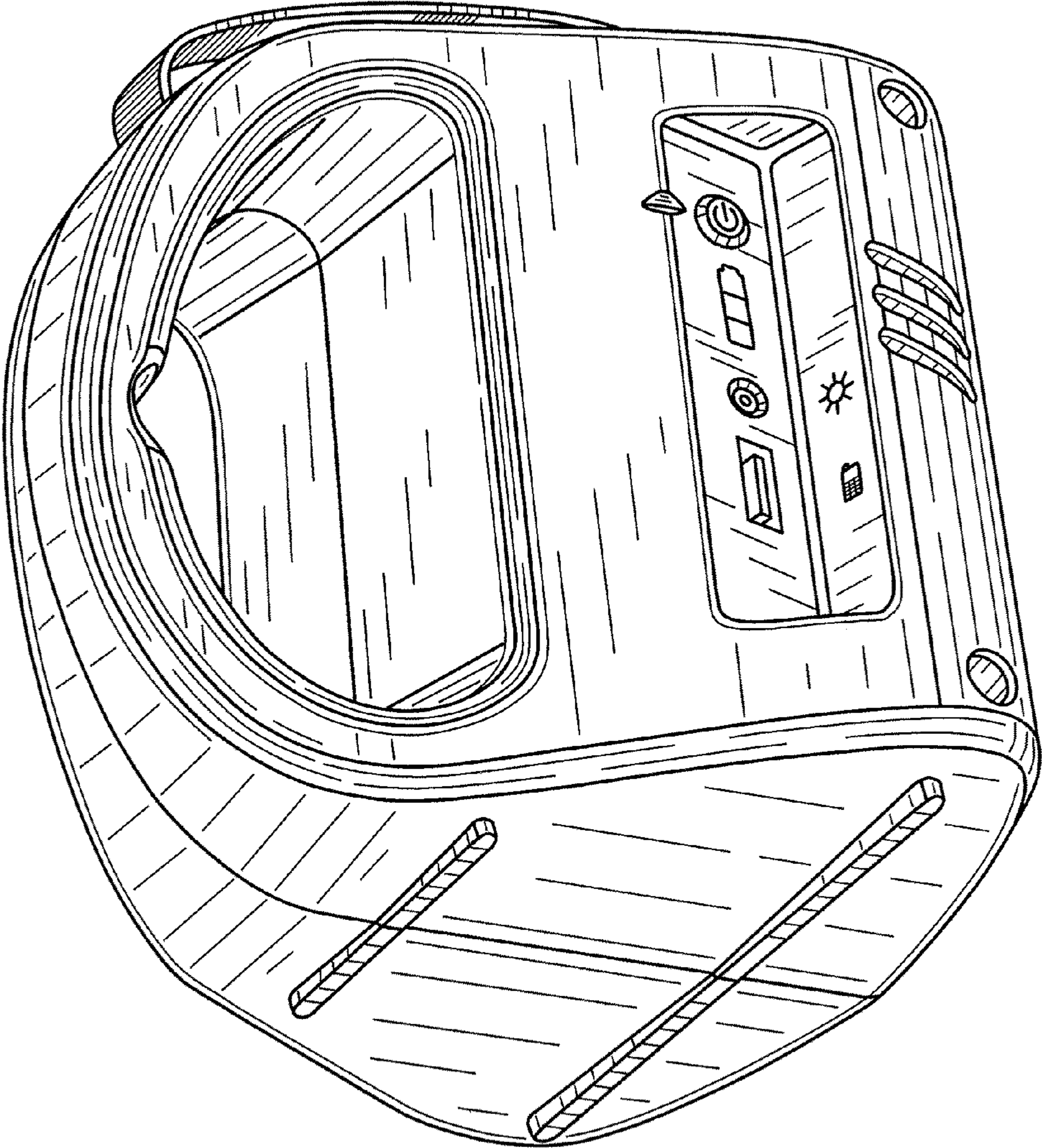


FIG. 2

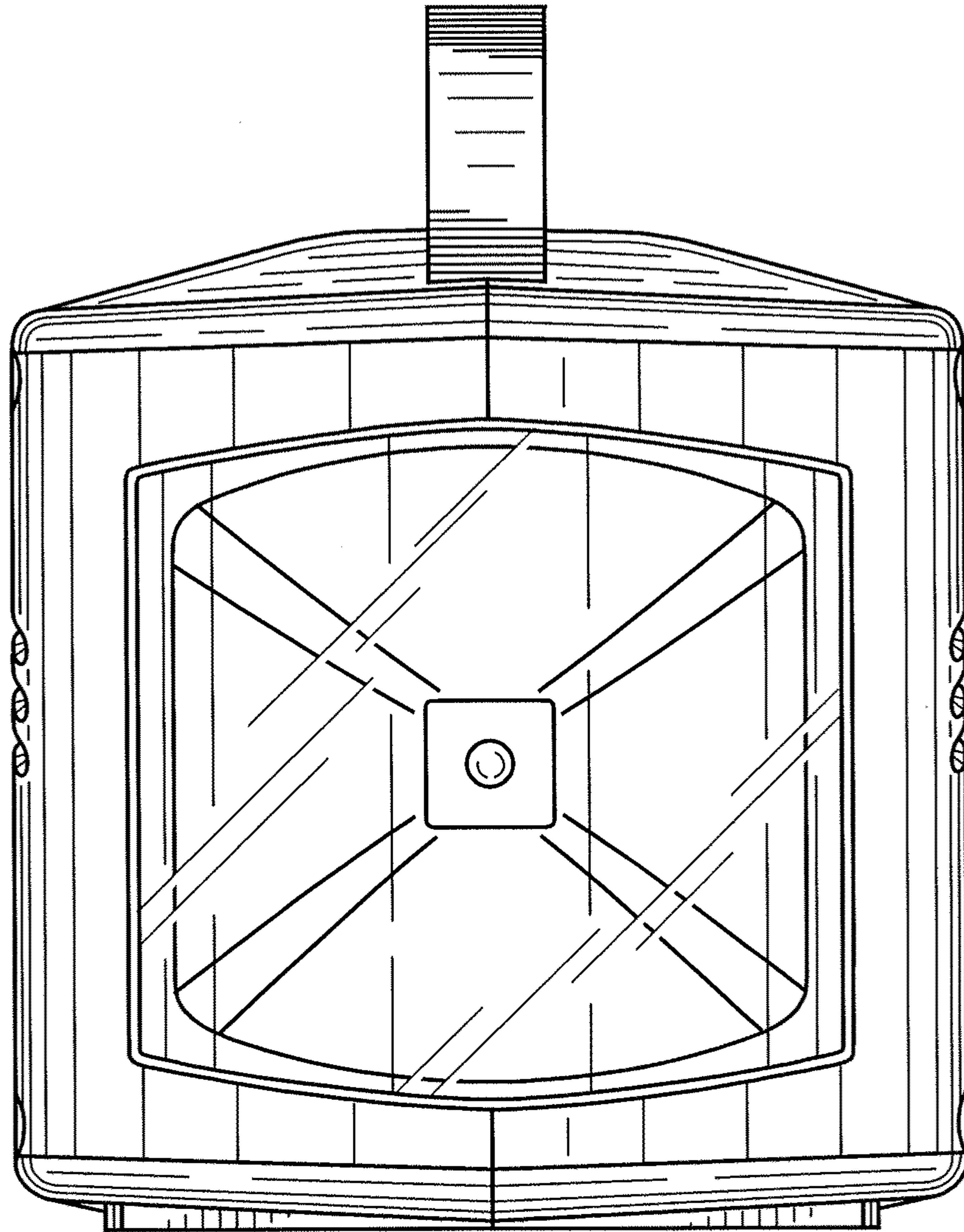


FIG. 3

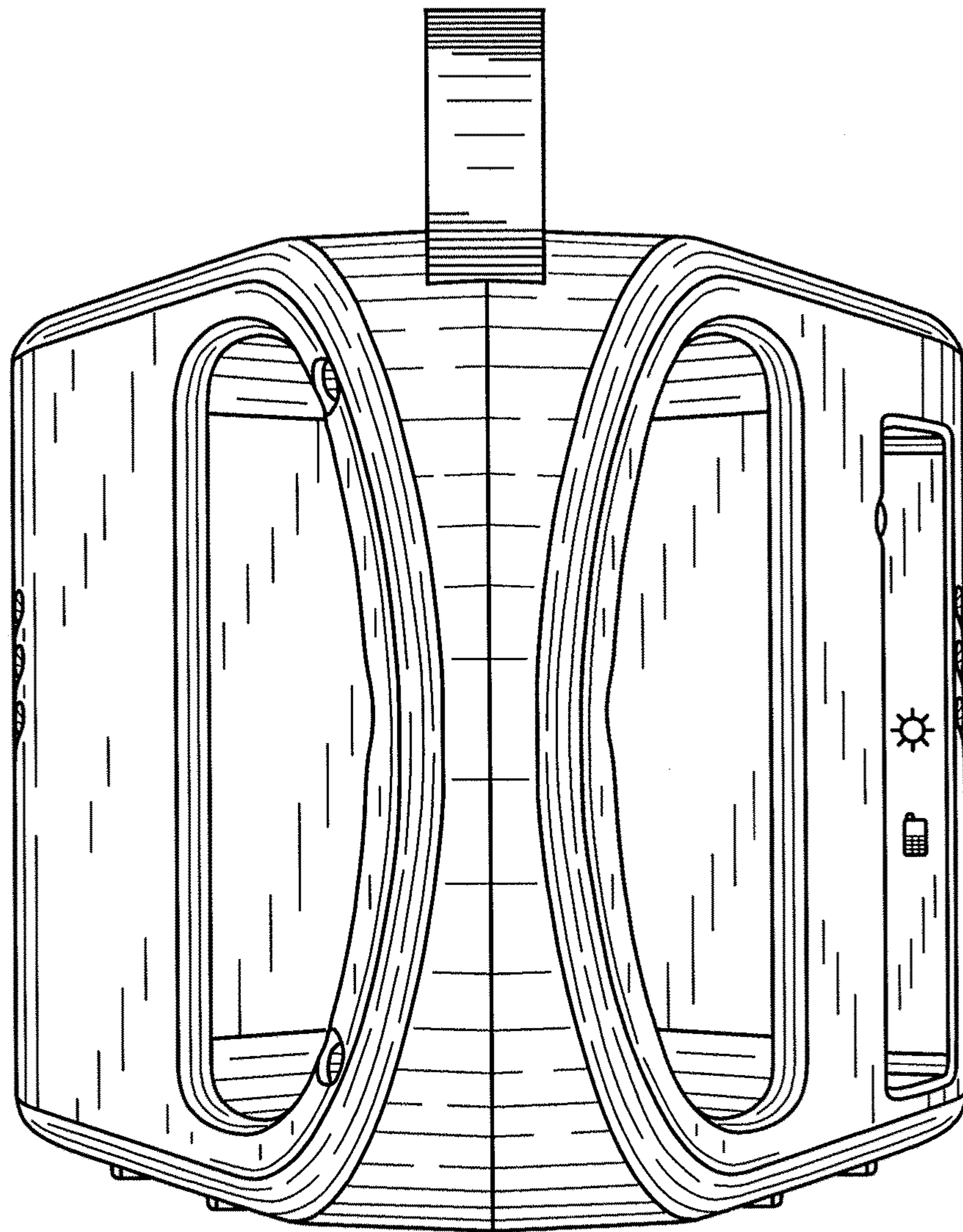


FIG. 4

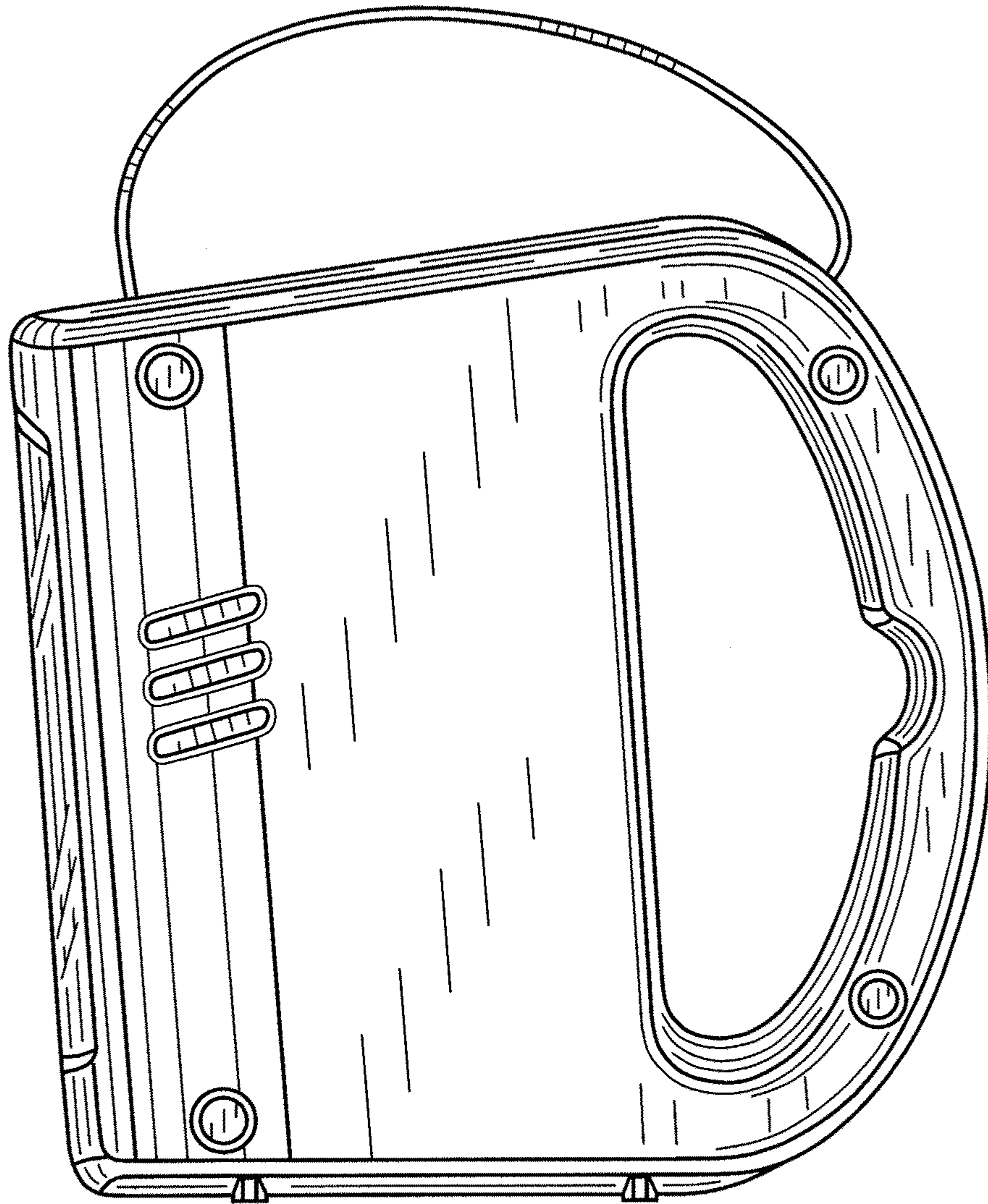


FIG. 5

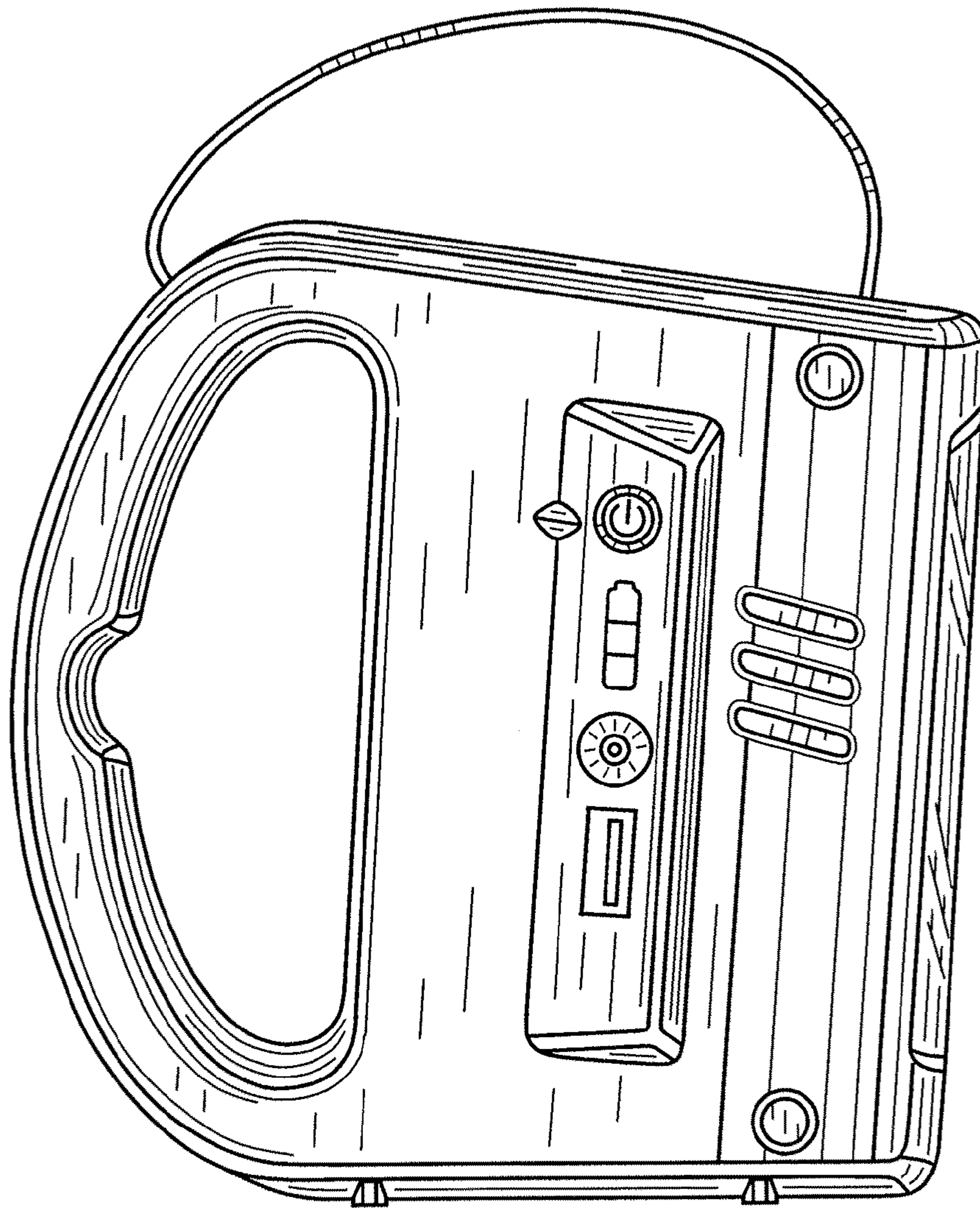


FIG. 6

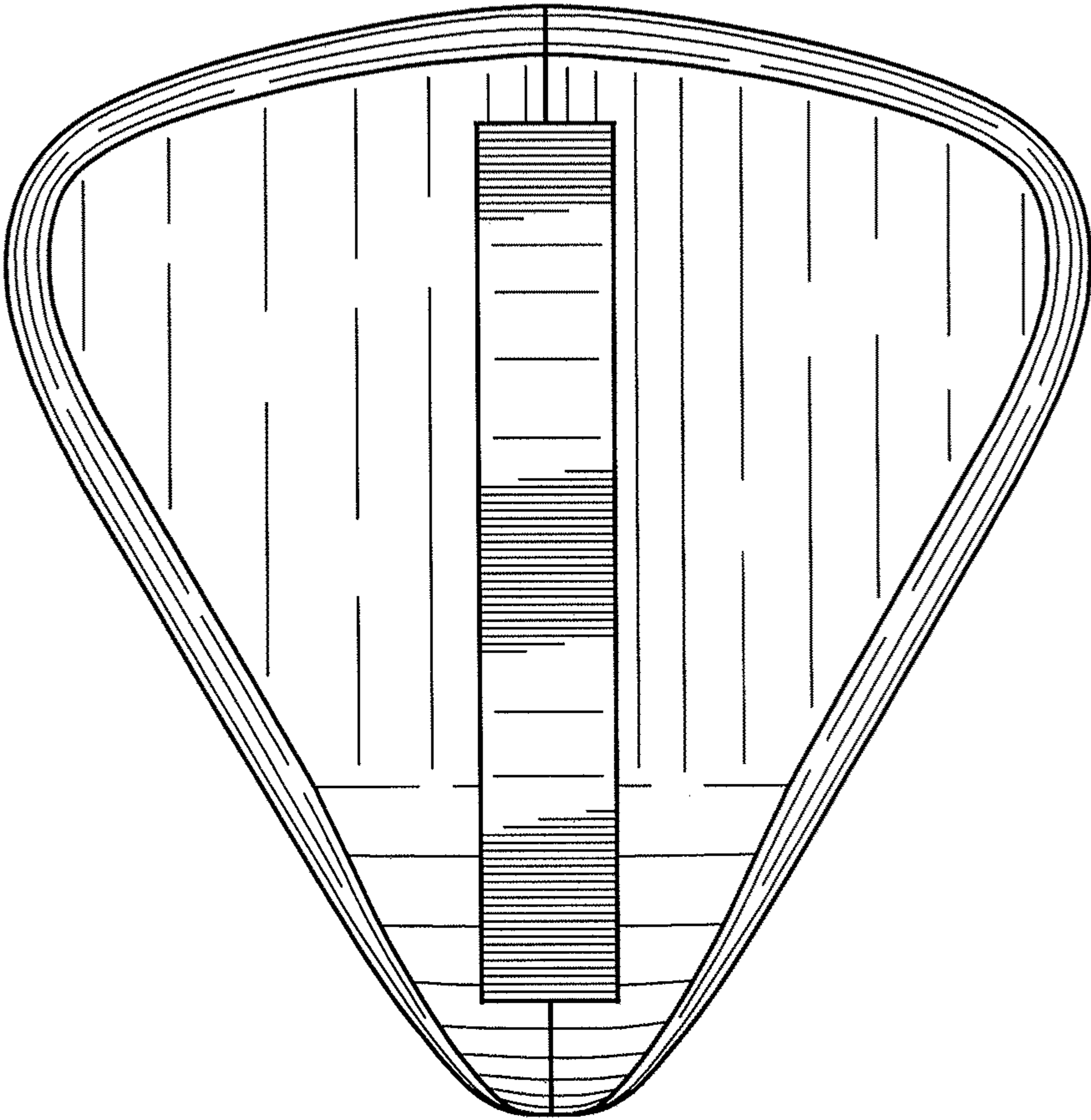


FIG. 7



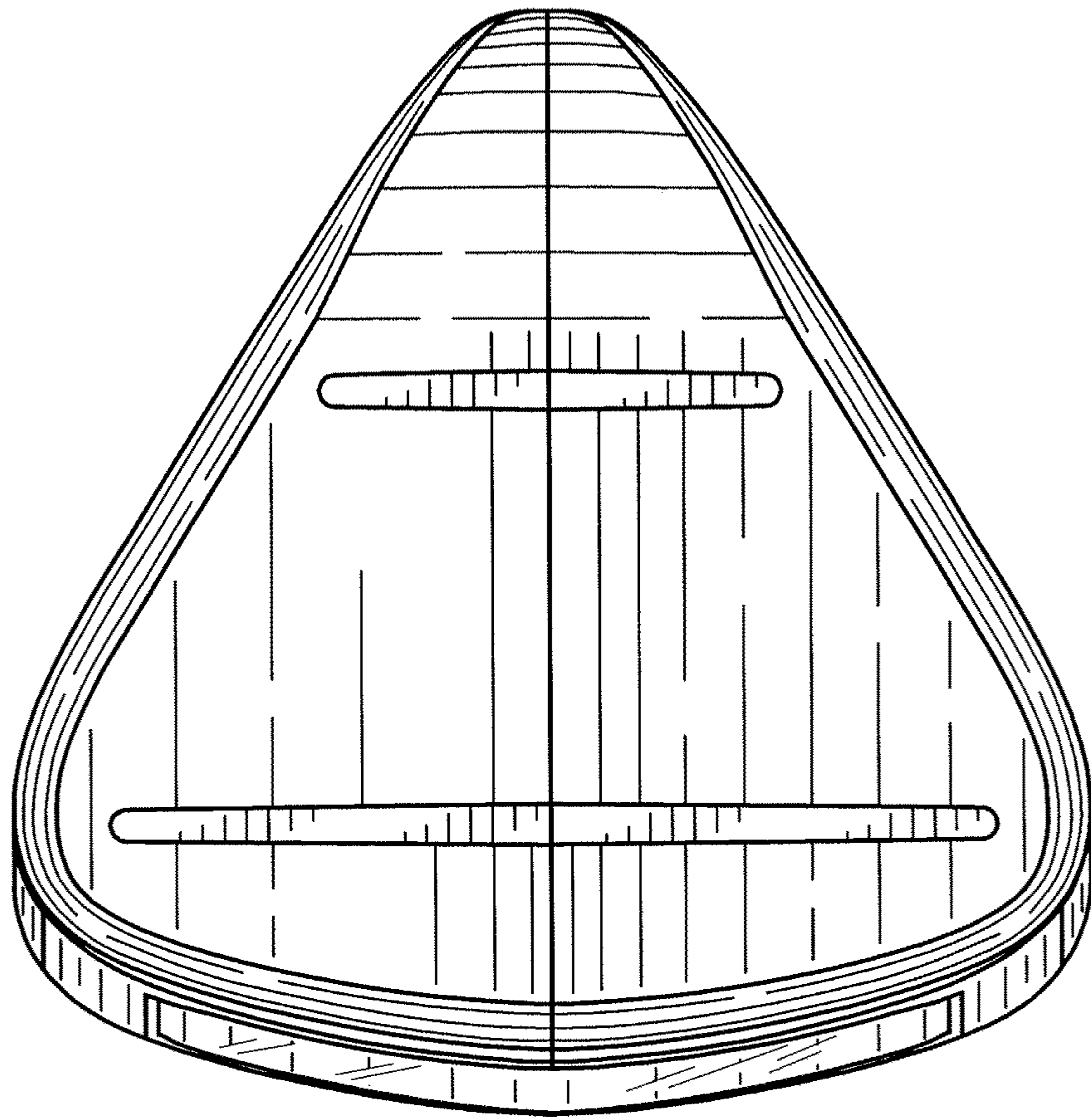


FIG. 8