

US00D699873S

(12) **United States Design Patent**
Tsai et al.

(10) **Patent No.:** **US D699,873 S**

(45) **Date of Patent:** **** Feb. 18, 2014**

(54) **REAR LIGHT FOR A TRUCK**

(71) Applicants: **Hsi-Hsien Tsai**, Tainan (TW);
Kuo-Yang Yeh, Tainan (TW)

(72) Inventors: **Hsi-Hsien Tsai**, Tainan (TW);
Kuo-Yang Yeh, Tainan (TW)

(73) Assignee: **Lucidity Enterprise Co., Ltd.**, Annan
District, Tainan (TW)

(**) Term: **14 Years**

(21) Appl. No.: **29/434,906**

(22) Filed: **Oct. 18, 2012**

(51) **LOC (10) Cl.** **26-06**

(52) **U.S. Cl.**
USPC **D26/31**

(58) **Field of Classification Search**
USPC D26/28-36; 362/459-468, 475-478,
362/485-487; D20/10

See application file for complete search history.

(56) **References Cited**

U.S. PATENT DOCUMENTS

D478,935 S *	8/2003	Gearhart et al.	D20/10
D495,747 S *	9/2004	Boodhoo	D20/10
D527,475 S *	8/2006	Hall et al.	D26/31
D564,110 S *	3/2008	Huang	D26/31
D603,536 S *	11/2009	Tsai et al.	D26/31

* cited by examiner

Primary Examiner — Marcus Jackson

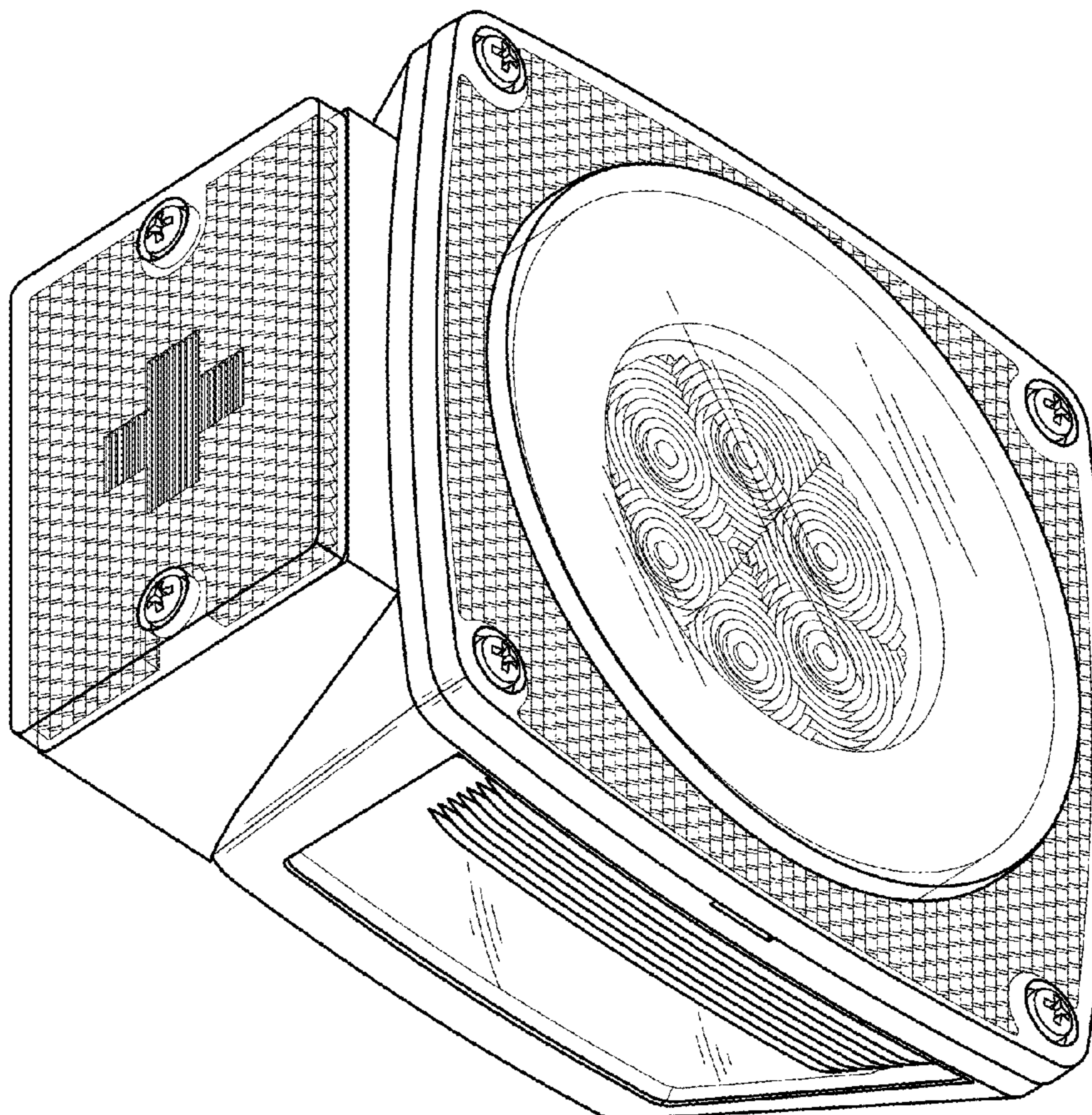
(57) **CLAIM**

The ornamental design for a rear light for a truck, as shown and described.

DESCRIPTION

FIG. 1 is a perspective view of a rear light for a truck showing my design;
FIG. 2 is a front elevational view thereof;
FIG. 3 is a rear elevational view thereof;
FIG. 4 is a left side elevational view thereof;
FIG. 5 is a right side elevational view thereof;
FIG. 6 is a top plan view thereof; and,
FIG. 7 is a bottom plan view thereof.

1 Claim, 7 Drawing Sheets



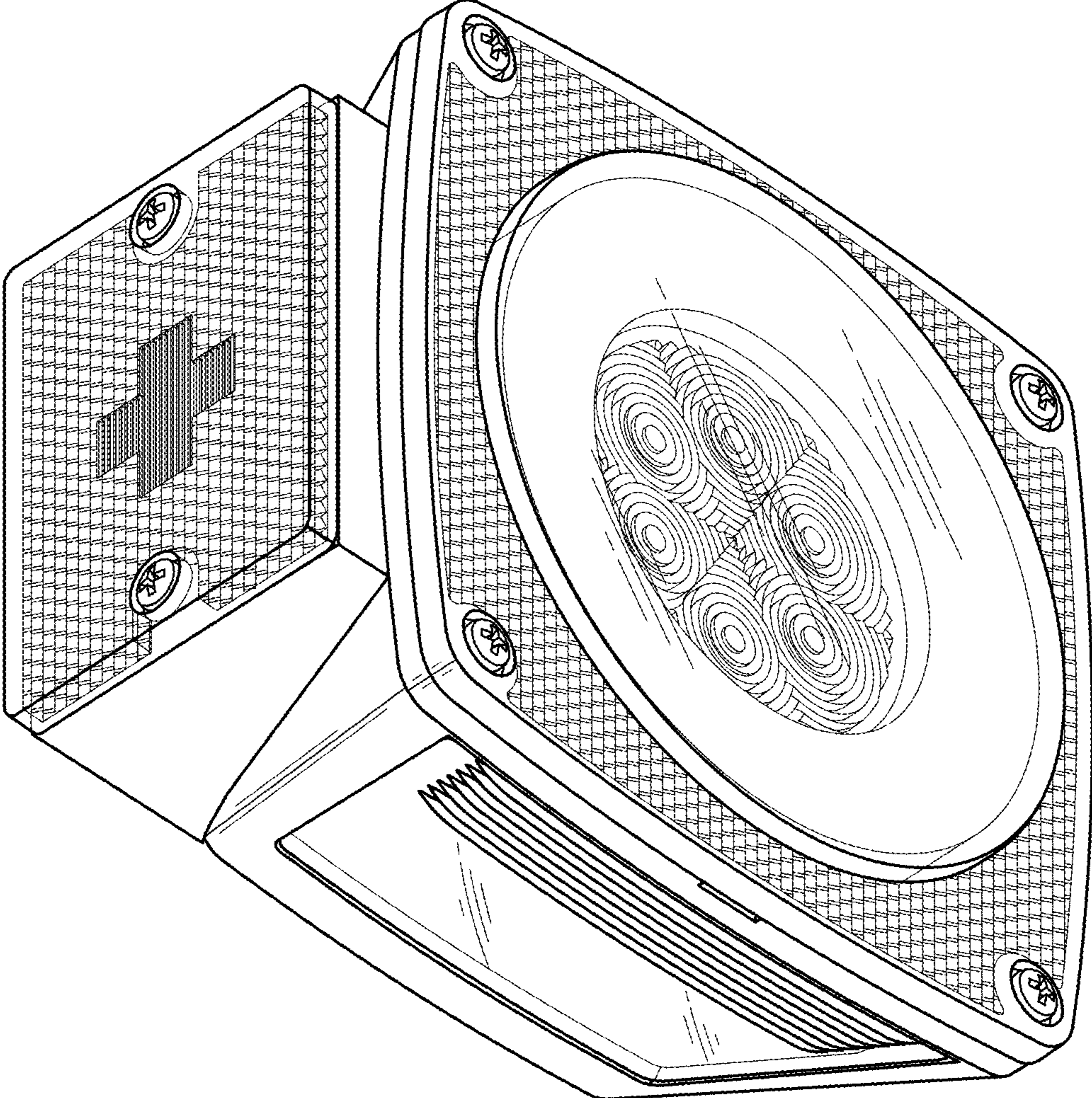


FIG. 1

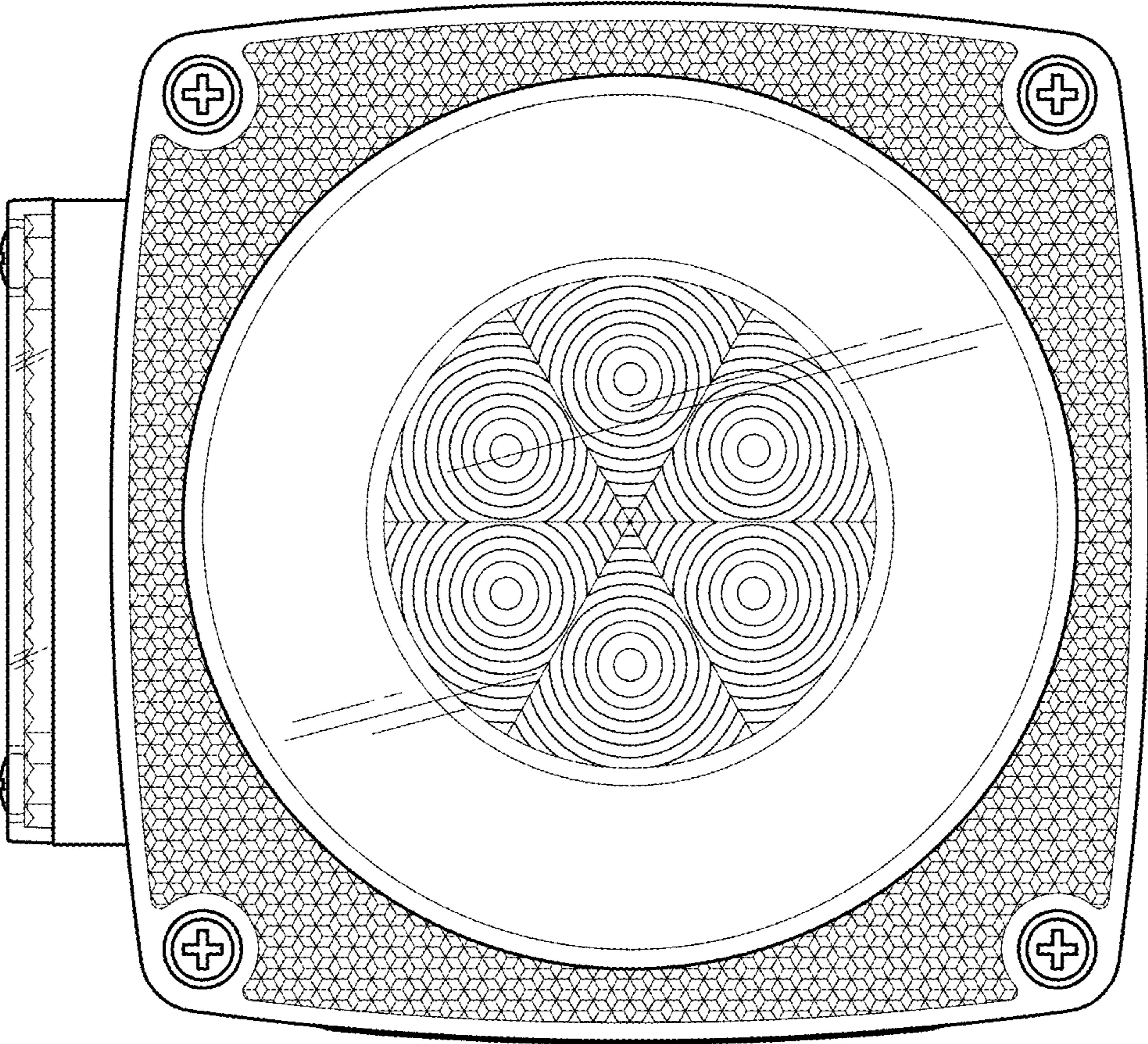


FIG.2

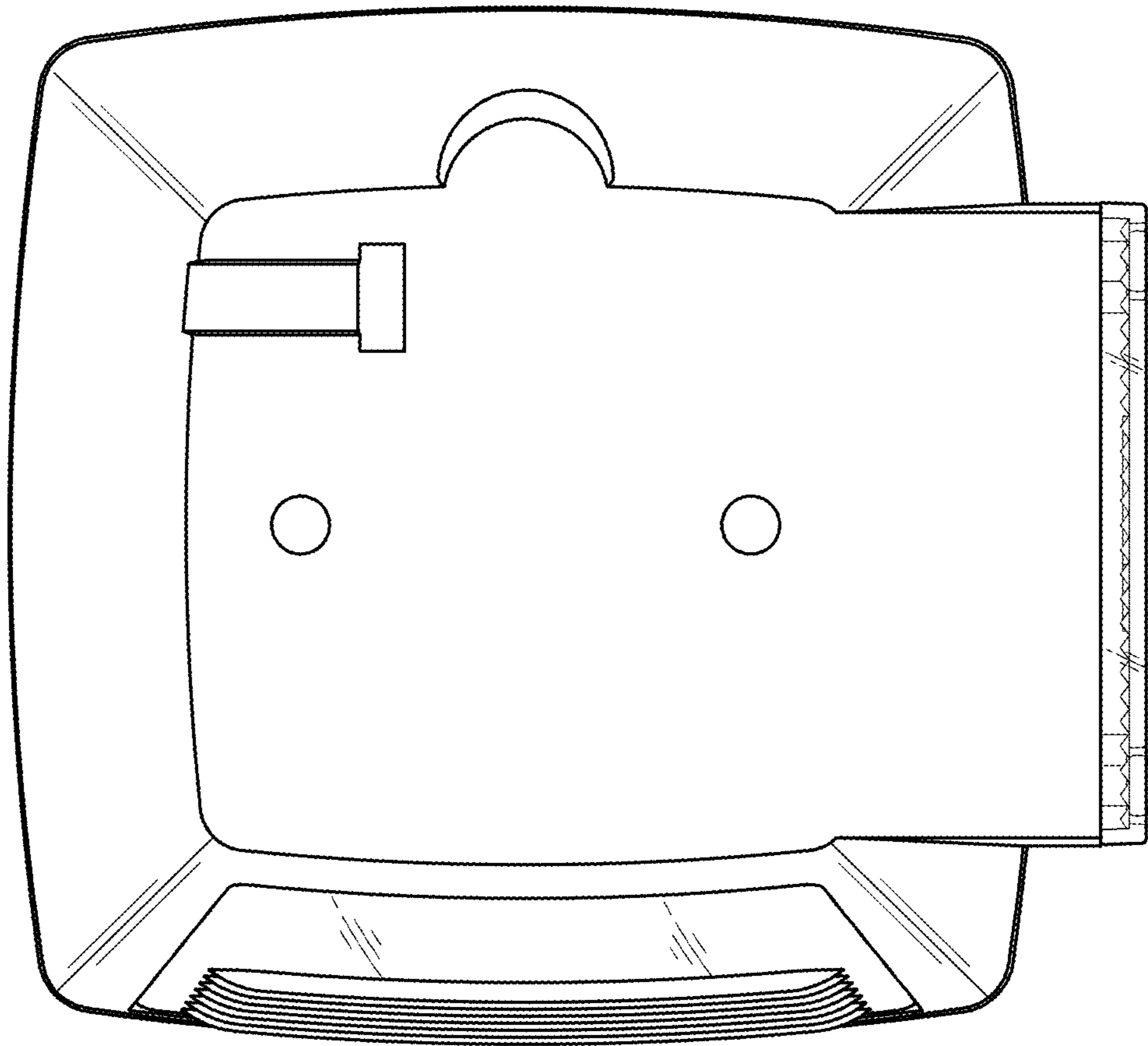


FIG.3

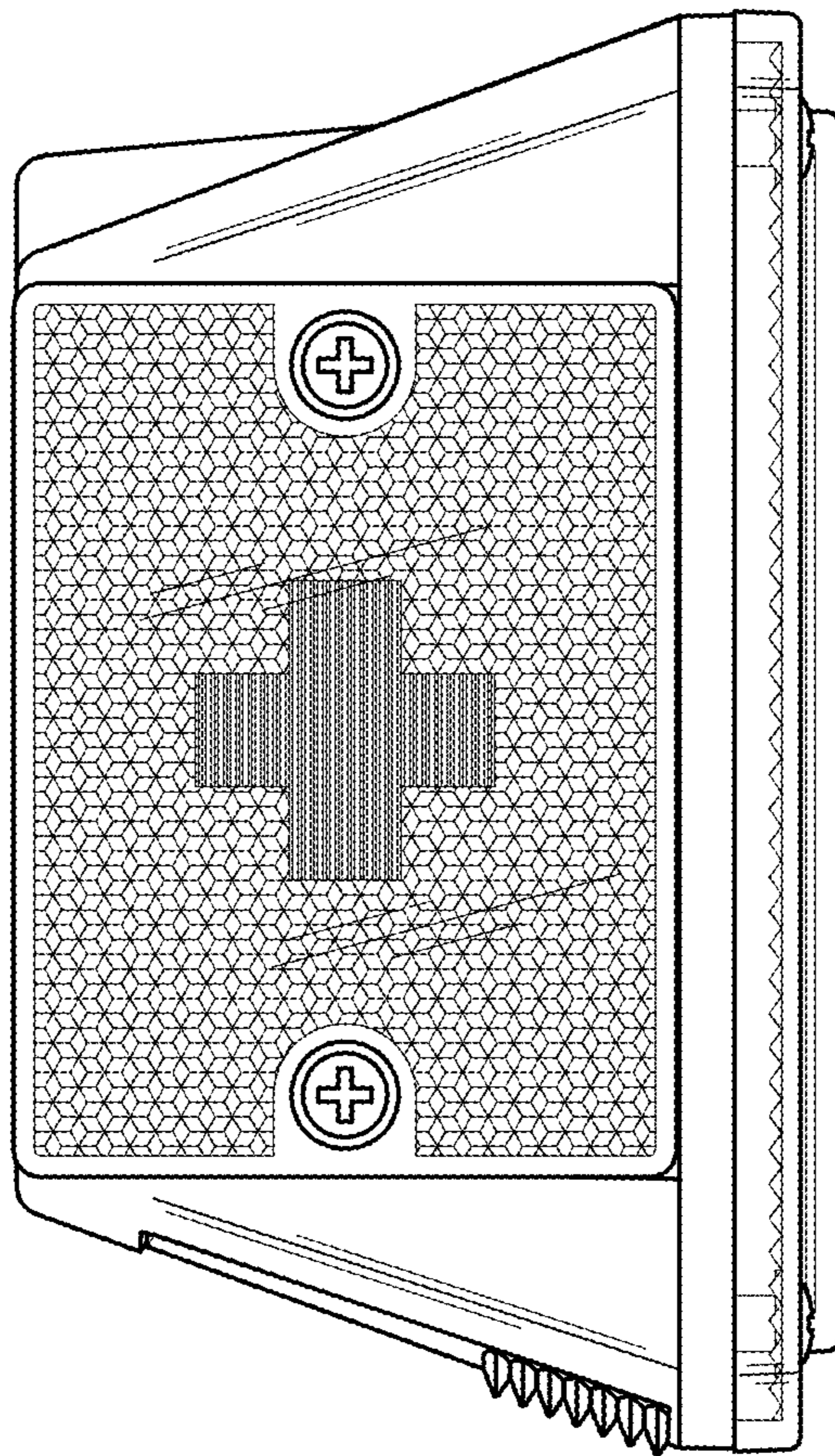


FIG.4

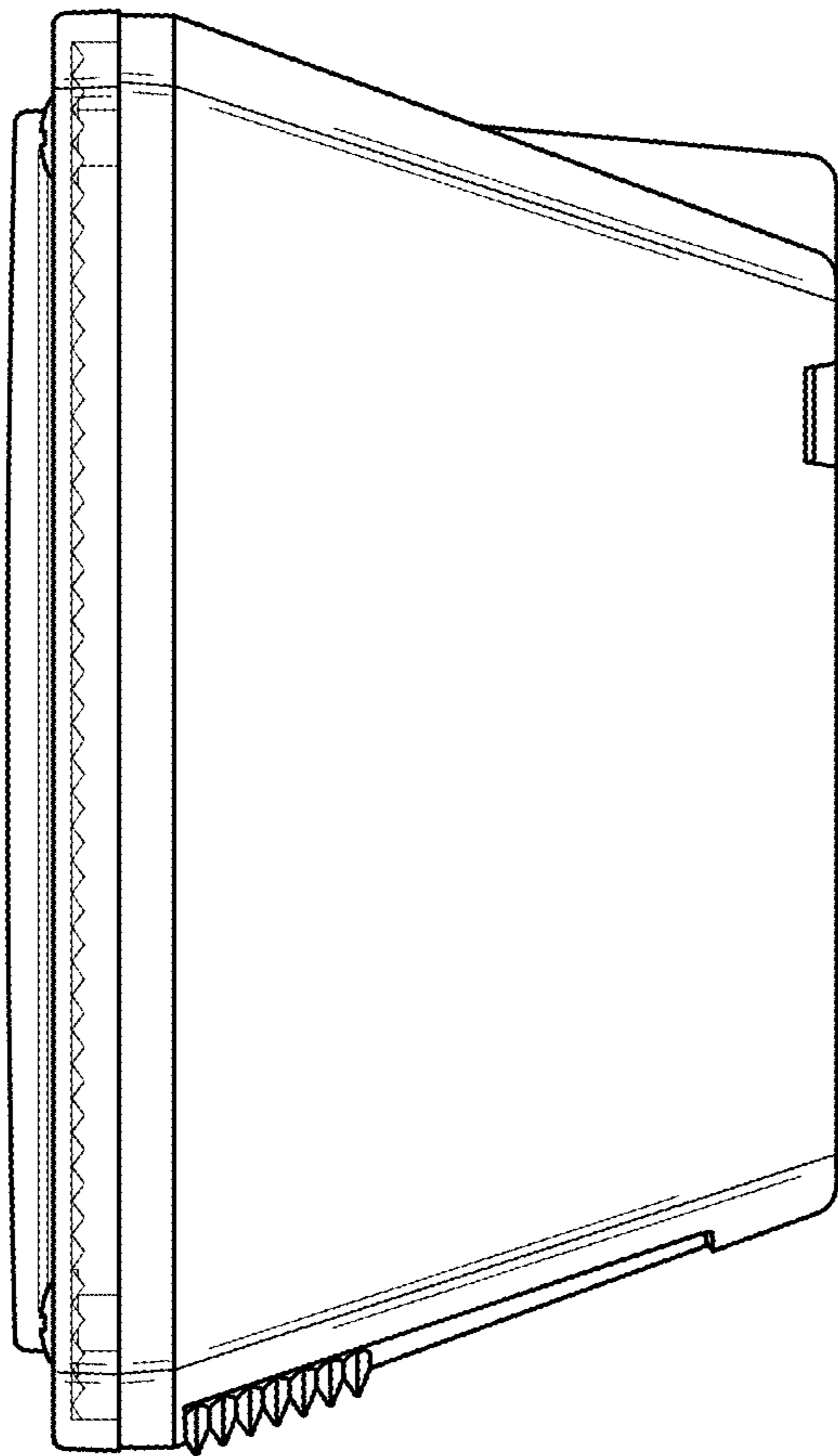


FIG.5

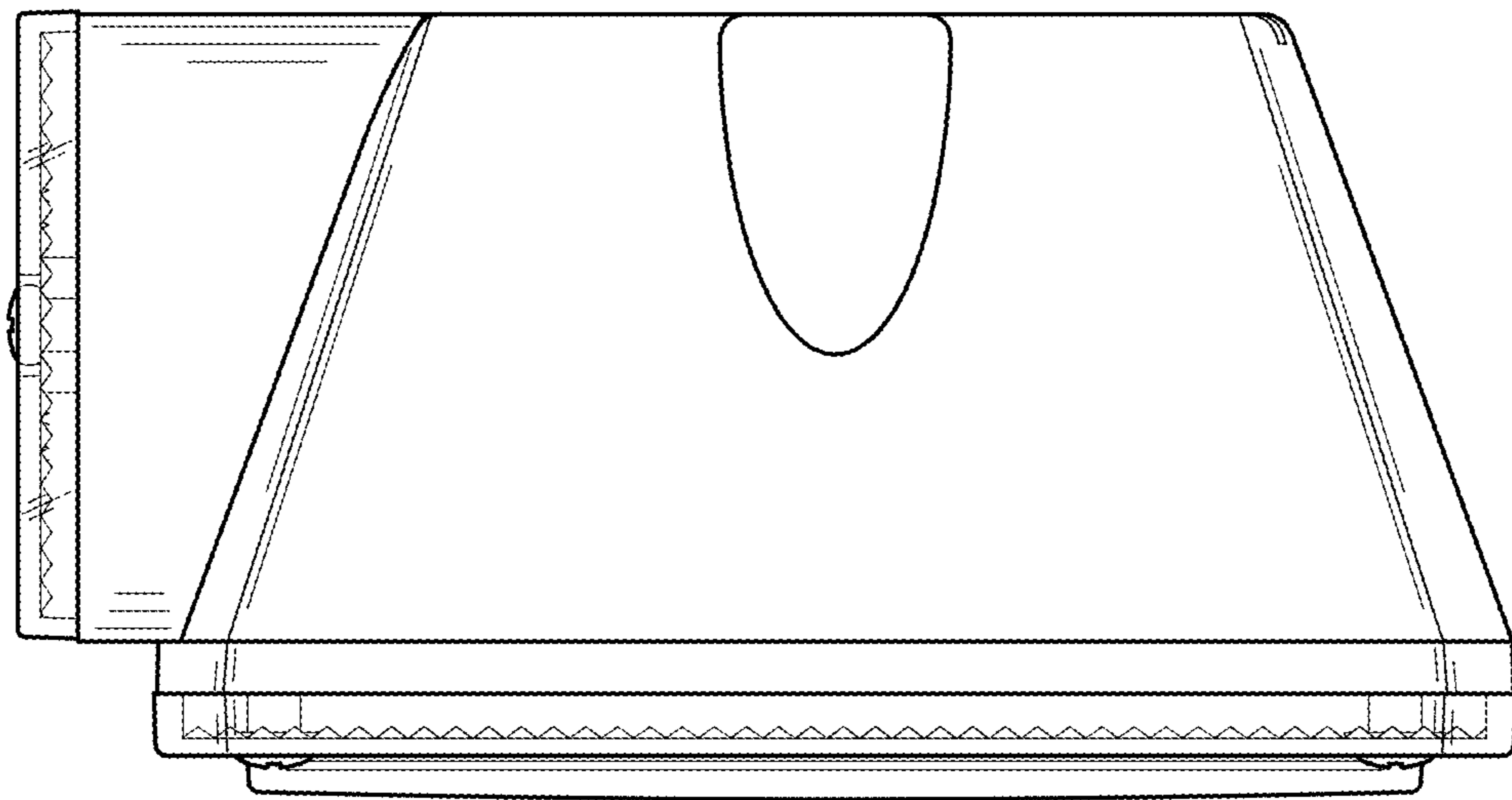


FIG.6

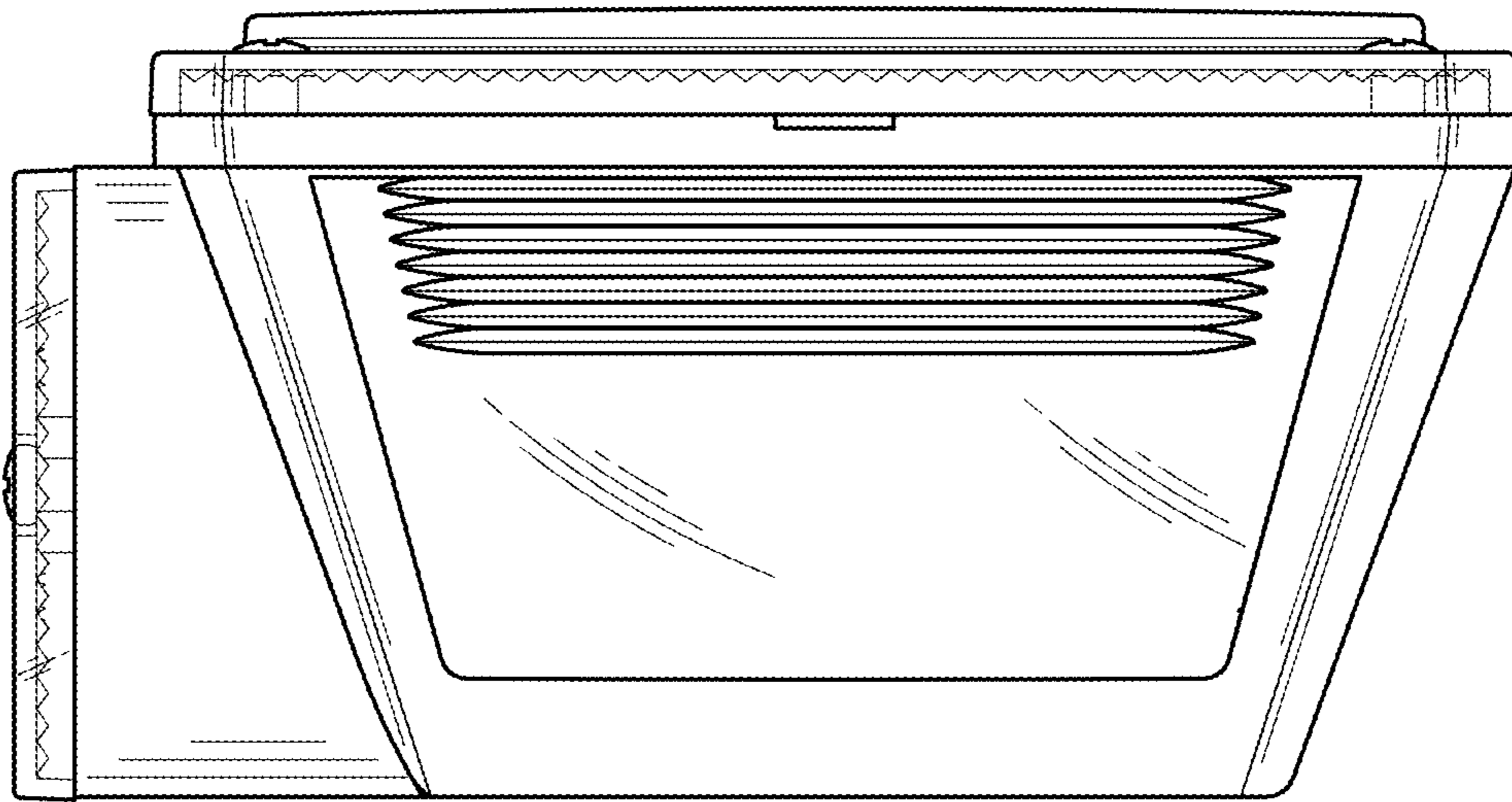


FIG.7