



US00D699870S

(12) **United States Design Patent**
Zolotykh et al.

(10) **Patent No.:** **US D699,870 S**

(45) **Date of Patent:** **** Feb. 18, 2014**

(54) **SOLID STATE LIGHTING UNIT WITH IMPROVED THERMAL MANAGEMENT**

(71) Applicants: **Valeriy Zolotykh**, Abington, MA (US);
Anil Jeswani, Beverly, MA (US)

(72) Inventors: **Valeriy Zolotykh**, Abington, MA (US);
Anil Jeswani, Beverly, MA (US)

(73) Assignee: **OSRAM SYLVANIA Inc.**, Danvers, MA (US)

(**) Term: **14 Years**

(21) Appl. No.: **29/452,737**

(22) Filed: **Apr. 21, 2013**

(51) **LOC (10) Cl.** **26-04**

(52) **U.S. Cl.**
USPC **D26/2**

(58) **Field of Classification Search**
USPC D26/1-4; 313/313, 315, 316, 317, 318,
313/493; 315/52, 53, 56, 57, 58
See application file for complete search history.

(56) **References Cited**

U.S. PATENT DOCUMENTS

D532,532 S *	11/2006	Maxik	D26/2
D544,110 S *	6/2007	Hooker et al.	D26/2
D566,300 S *	4/2008	Lo	D26/2
D581,555 S *	11/2008	To et al.	D26/2
D584,838 S *	1/2009	To et al.	D26/2
D610,722 S *	2/2010	Bi	D26/2
D629,534 S	12/2010	Song		
D677,806 S *	3/2013	Jiang et al.	D26/2
2005/0111234 A1	5/2005	Martin et al.		
2006/0193139 A1	8/2006	Sun et al.		
2009/0109625 A1	4/2009	Booth et al.		
2012/0170270 A1	7/2012	Kemps et al.		

OTHER PUBLICATIONS

Philips EnduraLED LED Bulbs with AirFlux Technology, retrieved Jul. 30, 2013, posted Sep. 4, 2012, LED Lighting Rebates, <http://www.ledlightingrebates.com/philips-enduraled-led-bulbs-with-airflux-technology/>.

EnduraLED PAR with AirFlux Technology Ad, Apr. 2012, pp. 1-2, Philips Lighting Company.
Philips EnduraLED BR Dimmable LED Lamps with AirFlux Technology, May 2012, pp. 1-2, P-6410-A, Philips Lighting Company, Somerset, NJ, United States of America.
Philips EnduraLED PAR38 Dimmable LED Lamps with AirFlux Technology, Apr. 2012, pp. 1-2, P-6412, Philips Lighting Company, Somerset, NJ, United States of America.

(Continued)

Primary Examiner — Marcus Jackson

(74) *Attorney, Agent, or Firm* — Shaun P. Montana

(57) **CLAIM**

The ornamental design for a solid state lighting unit with improved thermal management, as shown and described.

DESCRIPTION

FIG. 1 is a perspective view of an embodiment of the ornamental design of a solid state lighting unit with improved thermal management.

FIG. 2 is a front view of an embodiment of the ornamental design of a solid state lighting unit with improved thermal management.

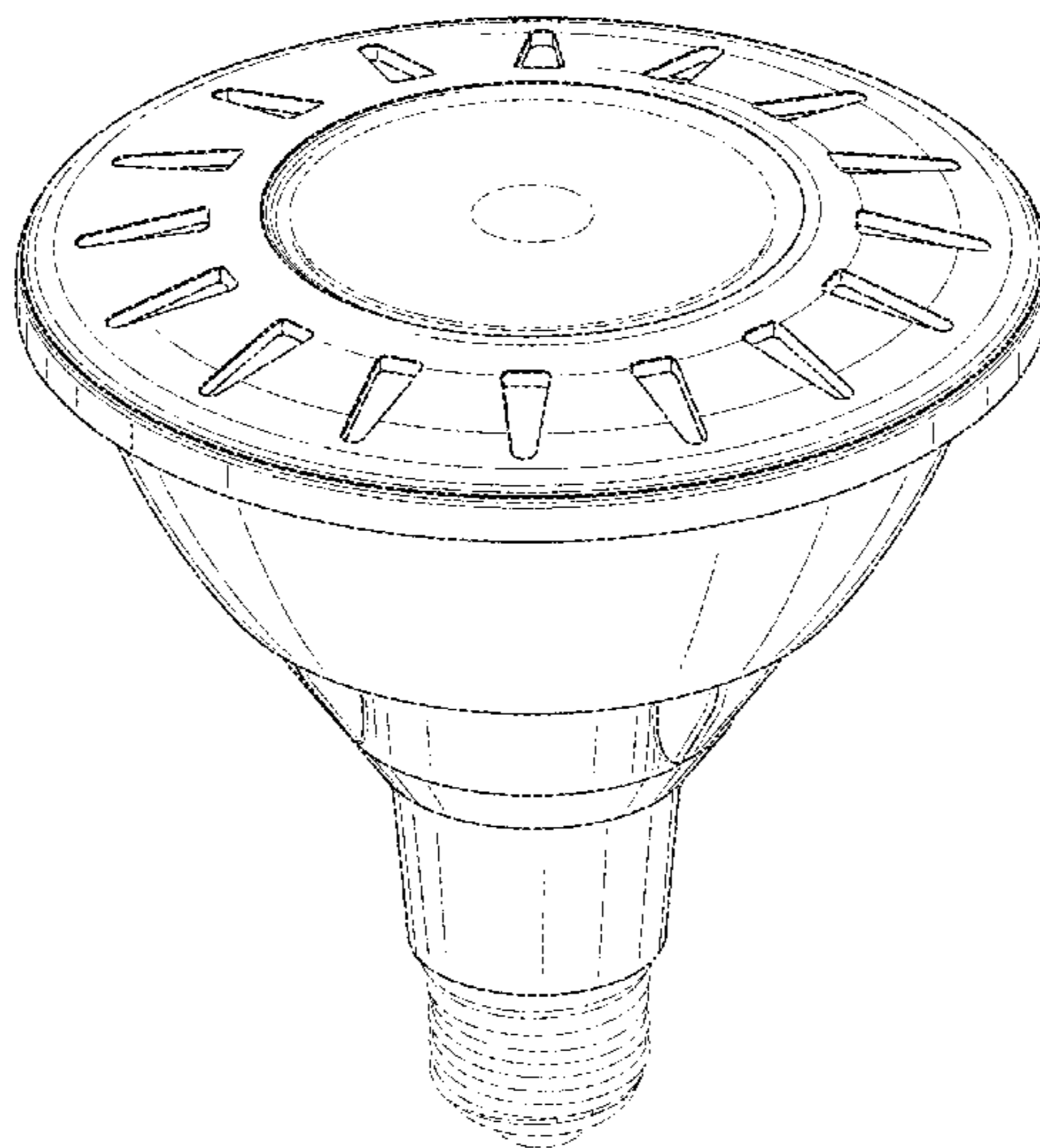
FIG. 3 is a back view of an embodiment of the ornamental design of a solid state lighting unit with improved thermal management.

FIG. 4 is a top view of an embodiment of the ornamental design of a solid state lighting unit with improved thermal management; and,

FIG. 5 is a bottom view of an embodiment of the ornamental design of a solid state lighting unit with improved thermal management.

The broken-line disclosure in the views is understood to represent portions of the article in which the claimed design is embodied, but which form no part of the claimed design.

1 Claim, 5 Drawing Sheets



(56)

References Cited

OTHER PUBLICATIONS

Philips EnduraLED PAR30 Dimmable LED Lamps with AirFlux Technology, Apr. 2012, pp. 1-2, P-6423, Philips Lighting Company, Somerset, NJ, United States of America.

Philips PAR20 Dimmable LED Lamps with AirFlux Technology, Oct. 2012, pp. 1-2, P-6450, Philips Lighting Company, Somerset, NJ, United States of America.

Philips PAR30S LED Retail Optic Lamps with AirFlux Technology, Feb. 2013, pp. 1-2, P-6467, Philips Lighting Company, Somerset, NJ, United States of America.

Philips PAR38 LED Retail Optic Lamps with AirFlux Technology, Feb. 2013, pp. 1-4, P-6468, Philips Lighting Company, Somerset, NJ, United States of America.

Philips PAR30L LED Retail Optic lamp with AirFlux Technology, Mar. 2013, pp. 1-2, P-6478, Philips Lighting Company, Somerset, NJ, United States of America.

* cited by examiner

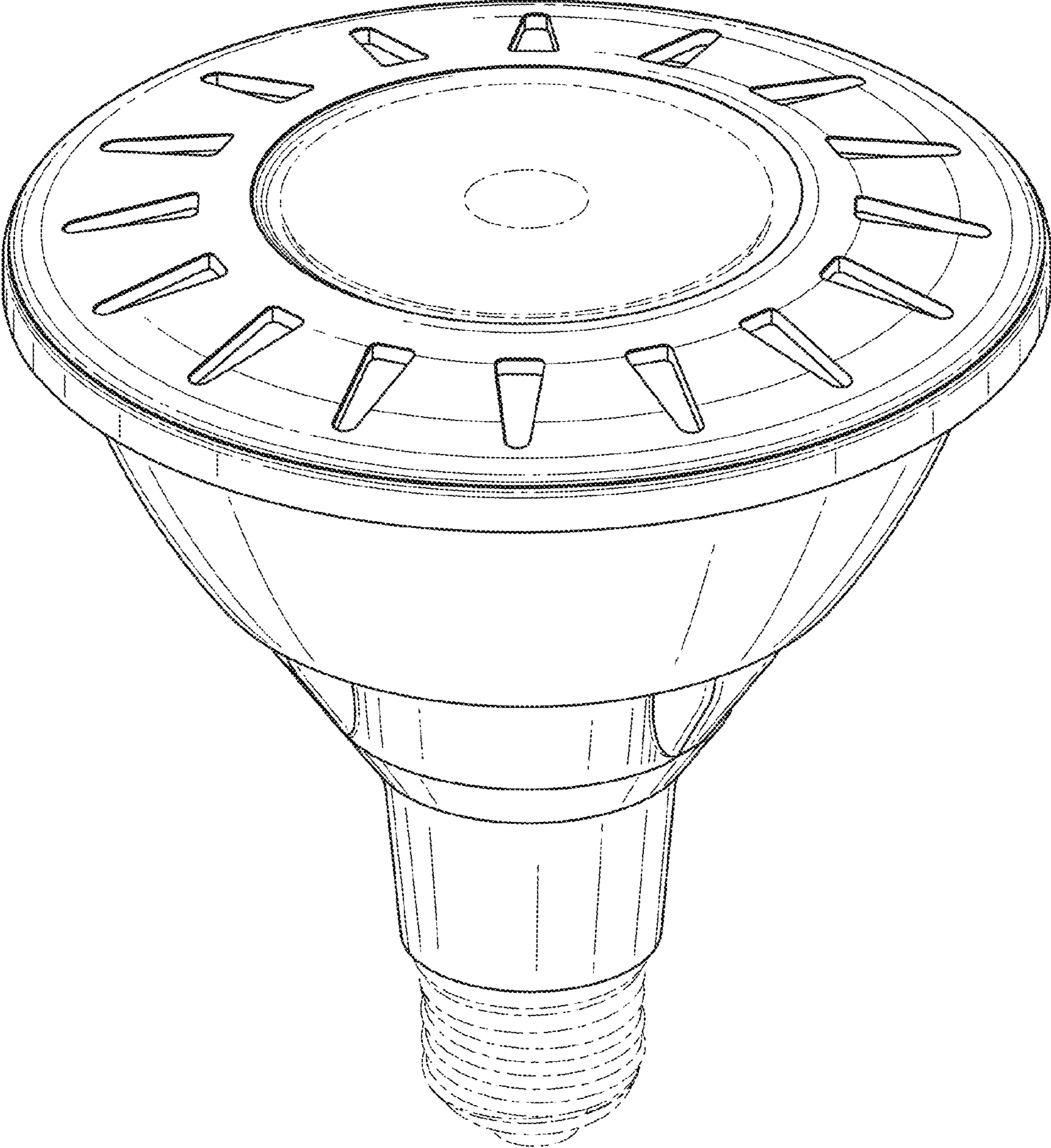


FIG. 1

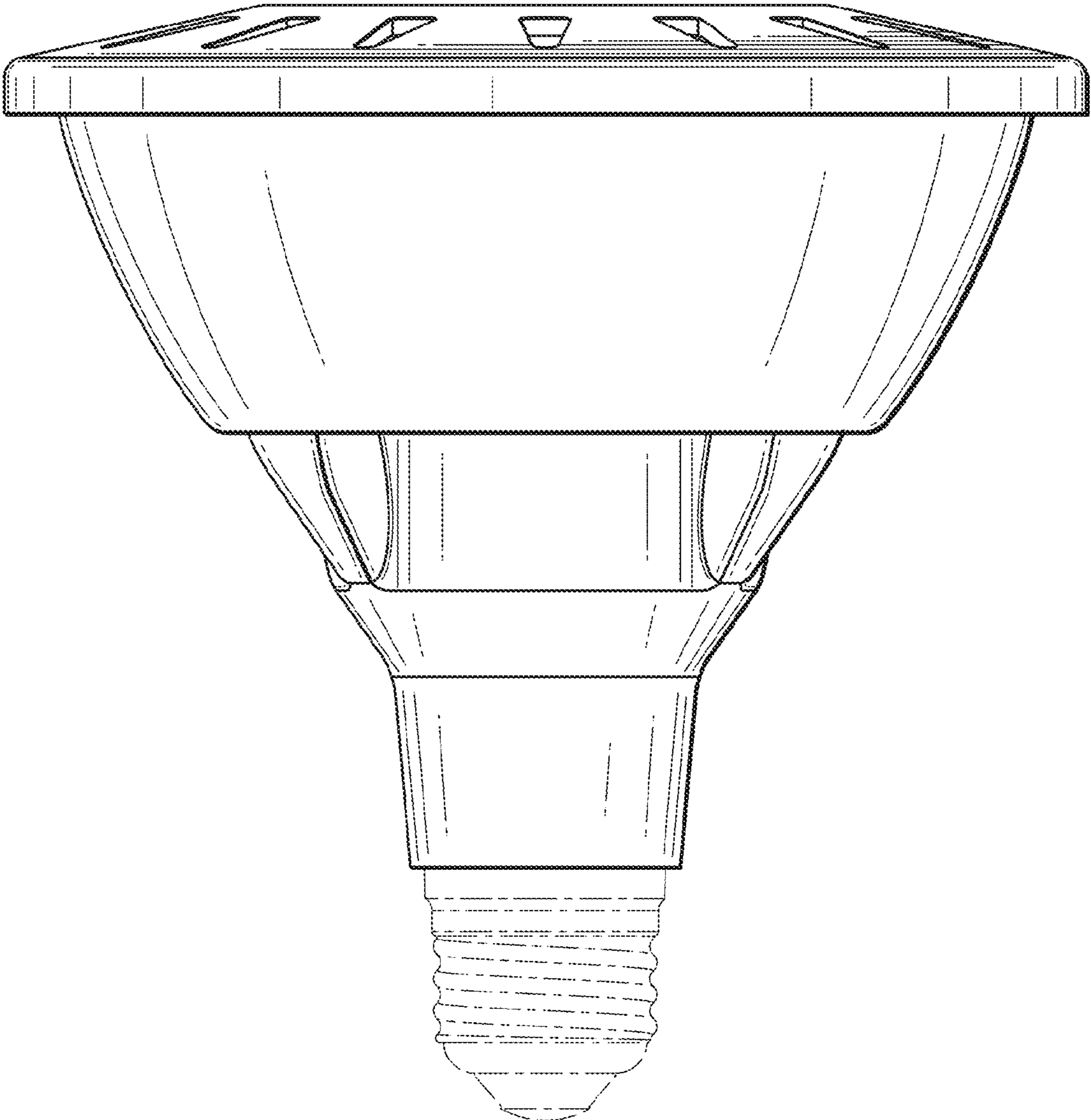


FIG. 2

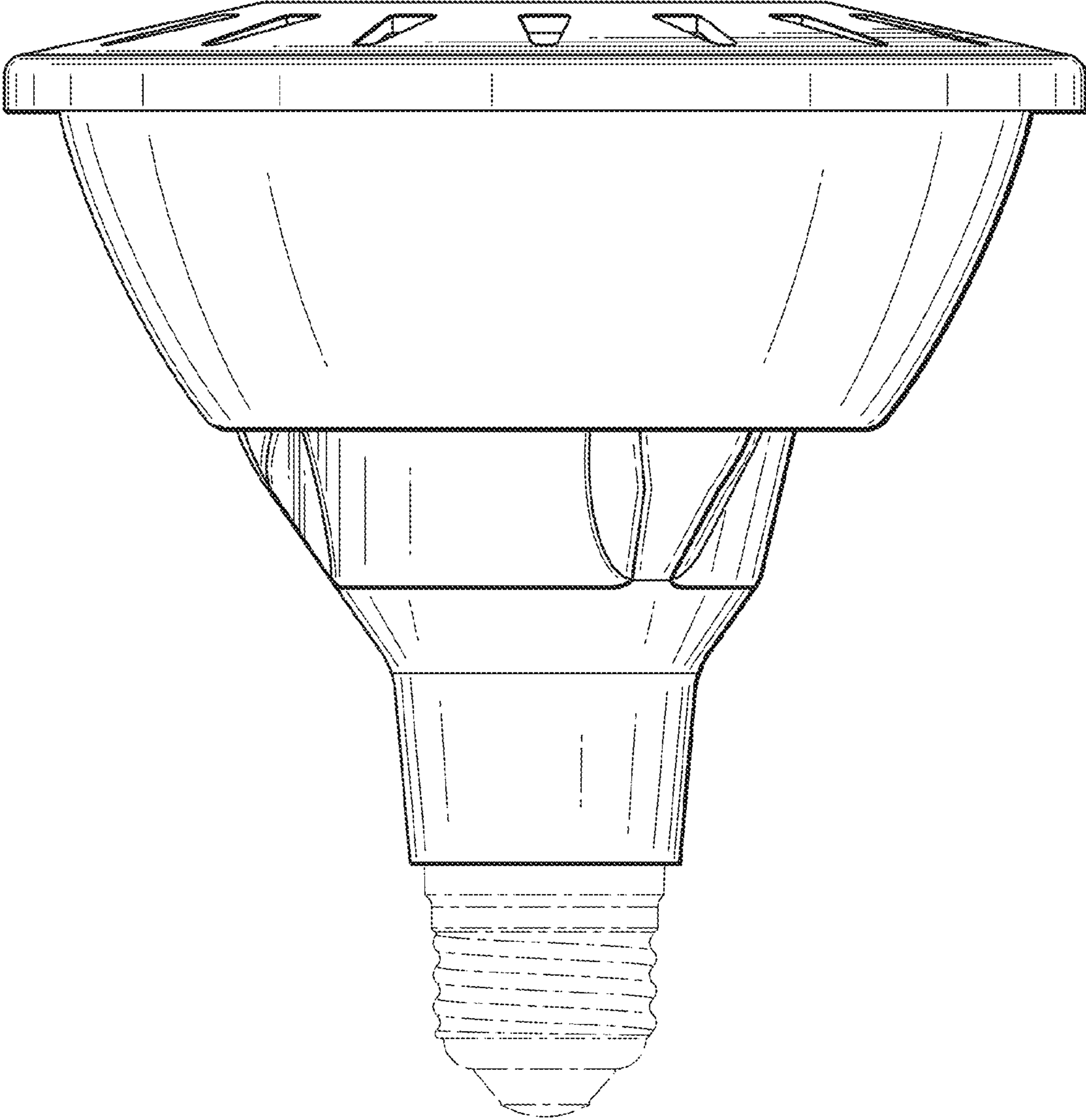


FIG. 3

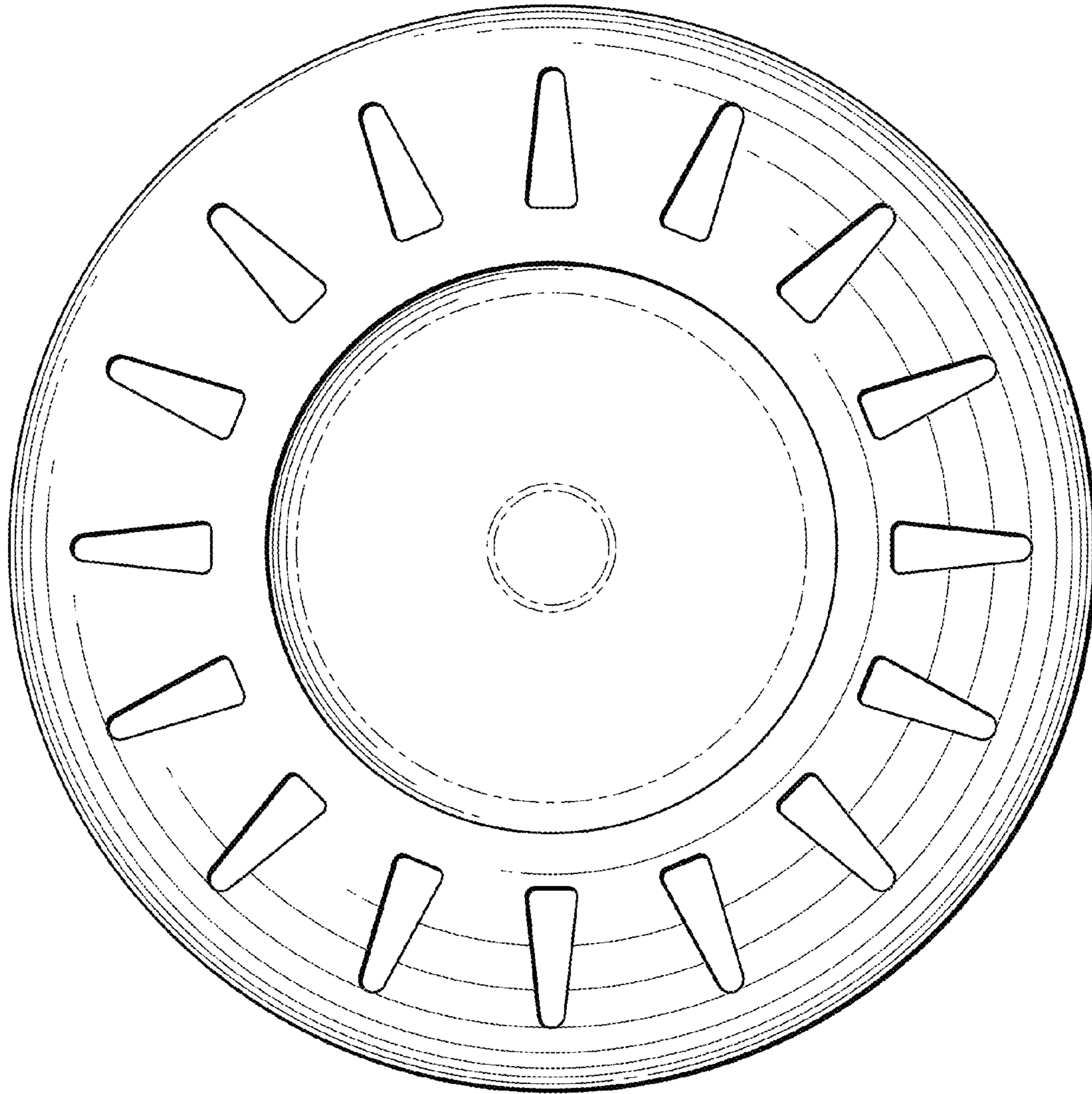


FIG. 4

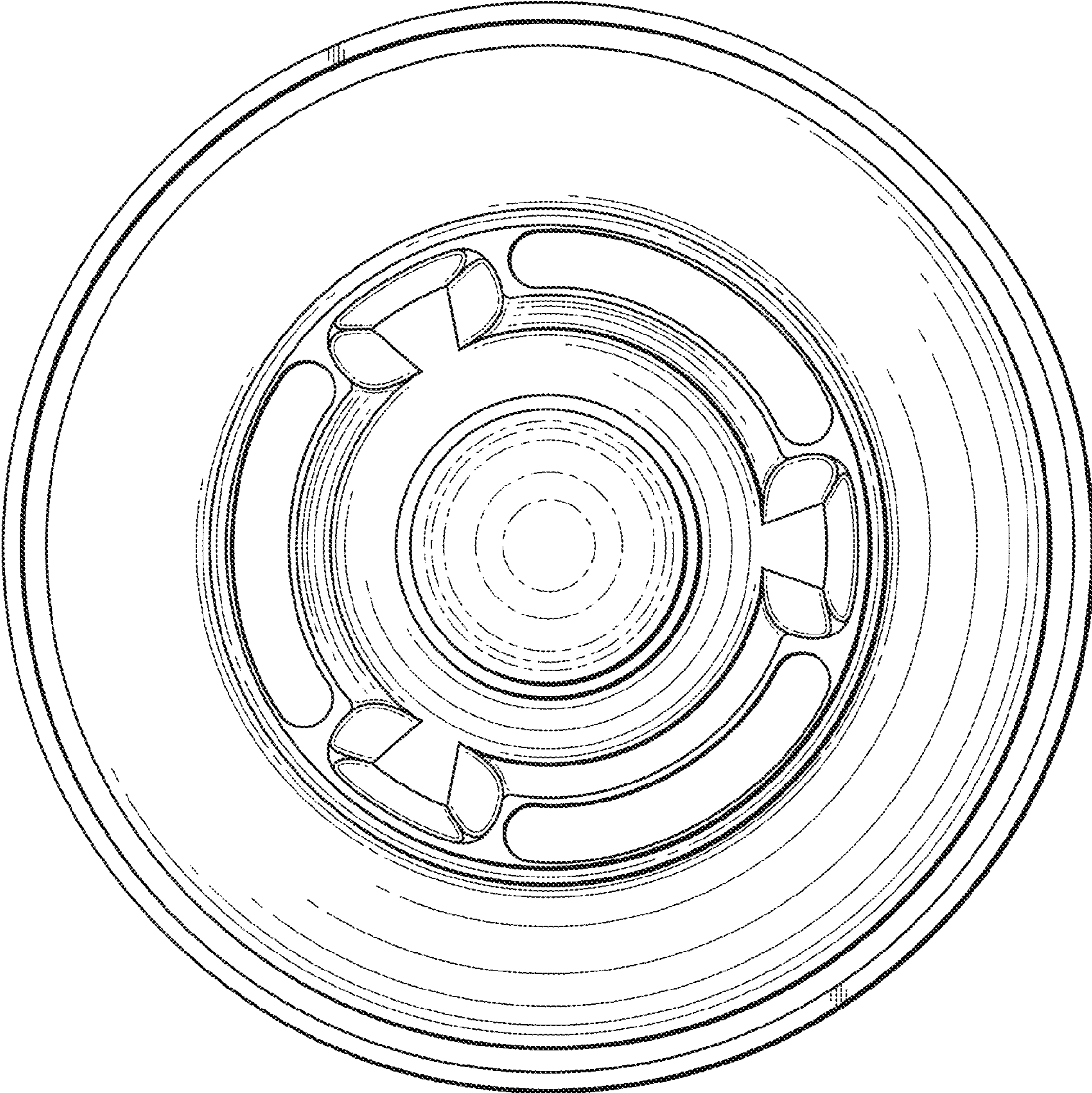


FIG. 5