



US00D699867S

(12) **United States Design Patent**
Thompson et al.

(10) **Patent No.:** **US D699,867 S**

(45) **Date of Patent:** **** Feb. 18, 2014**

(54) **ROOF SHINGLE**

(76) Inventors: **Michael J. Thompson**, Westerville, OH (US); **Allen E. Preuss**, Piqua, OH (US); **Fredrick R. Schneider**, Piqua, OH (US); **Brian A. Pierson**, Santa Cruz, CA (US)

(**) Term: **14 Years**

(21) Appl. No.: **29/430,627**

(22) Filed: **Aug. 28, 2012**

Related U.S. Application Data

(63) Continuation-in-part of application No. 29/401,998, filed on Sep. 19, 2011, now Pat. No. Des. 668,795.

(51) **LOC (10) Cl.** **25-01**

(52) **U.S. Cl.**
USPC **D25/141**

(58) **Field of Classification Search**
USPC D25/139, 140, 141, 143, 144; 52/519, 52/518, 523, 524, 526, 535, 554, 555, 556, 52/560, 557, 558, 311.1, 311.2, 314
See application file for complete search history.

(56) **References Cited**

U.S. PATENT DOCUMENTS

347,843 A * 8/1886 Thorn 52/557
1,572,377 A * 2/1926 Blair 52/553

2,029,869 A * 2/1936 Edward 52/466
D366,125 S * 1/1996 Tamura D25/141
D495,066 S * 8/2004 Liebscher D25/141
D587,821 S * 3/2009 Larsen D25/141

* cited by examiner

Primary Examiner — Doris Clark

(74) *Attorney, Agent, or Firm* — Kegler Brown Hill & Ritter; James J. Pingor

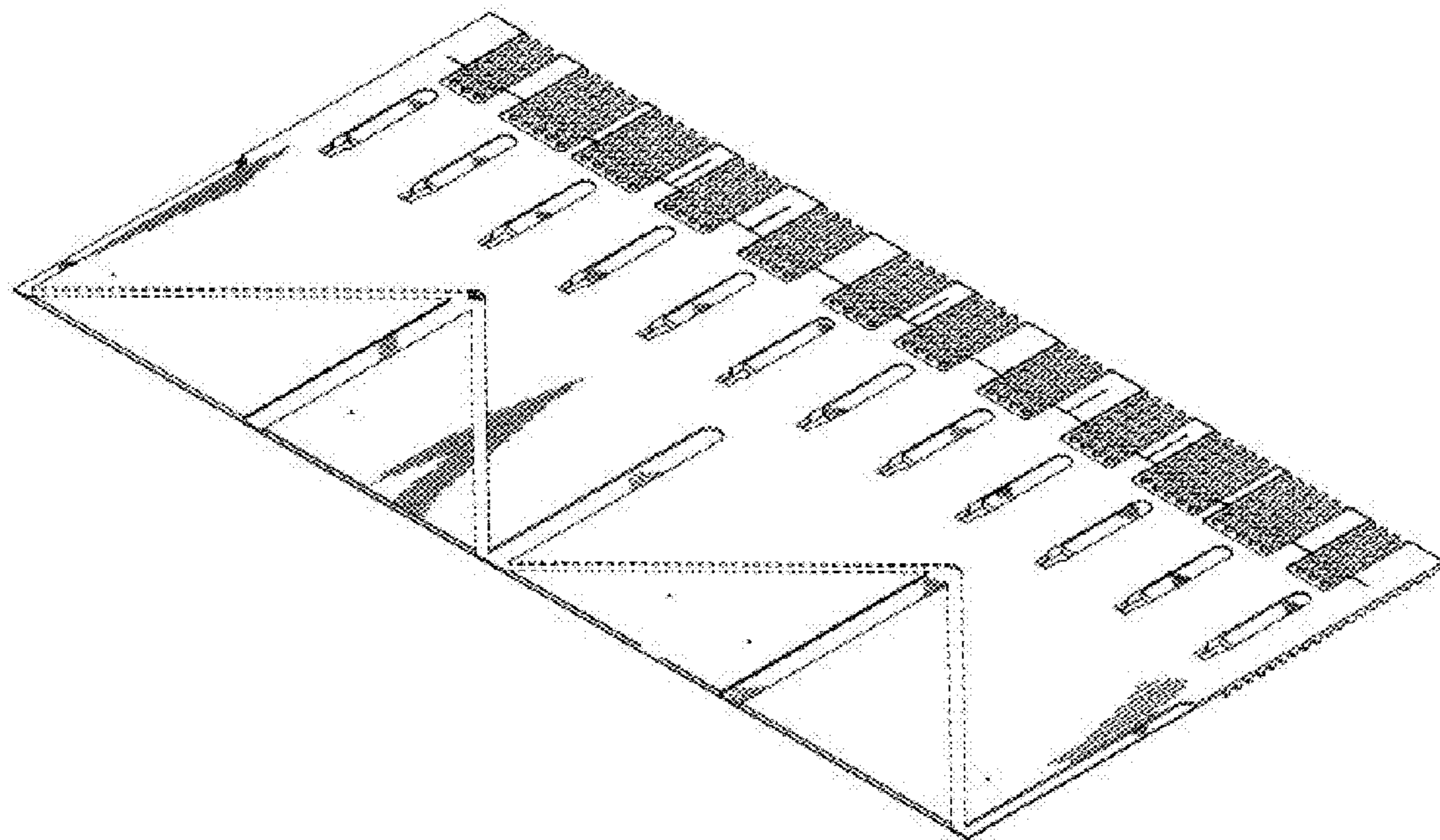
(57) **CLAIM**

We claim the ornamental design of the roof shingle, as shown and described.

DESCRIPTION

FIG. 1 is a front, right side and bottom perspective view of a roof shingle;
FIG. 2 is a rear, left side and bottom perspective view thereof;
FIG. 3 is an enlarged view of the right upper corner of the design in FIG. 2;
FIG. 4 is a front elevation view;
FIG. 5 is a rear elevation view thereof;
FIG. 6 is a top view thereof;
FIG. 7 is a bottom view thereof;
FIG. 8 is a left side view; and,
FIG. 9 is a right side view.
The broken lines are for illustrative purposes only and form no part of the claimed design.

1 Claim, 5 Drawing Sheets



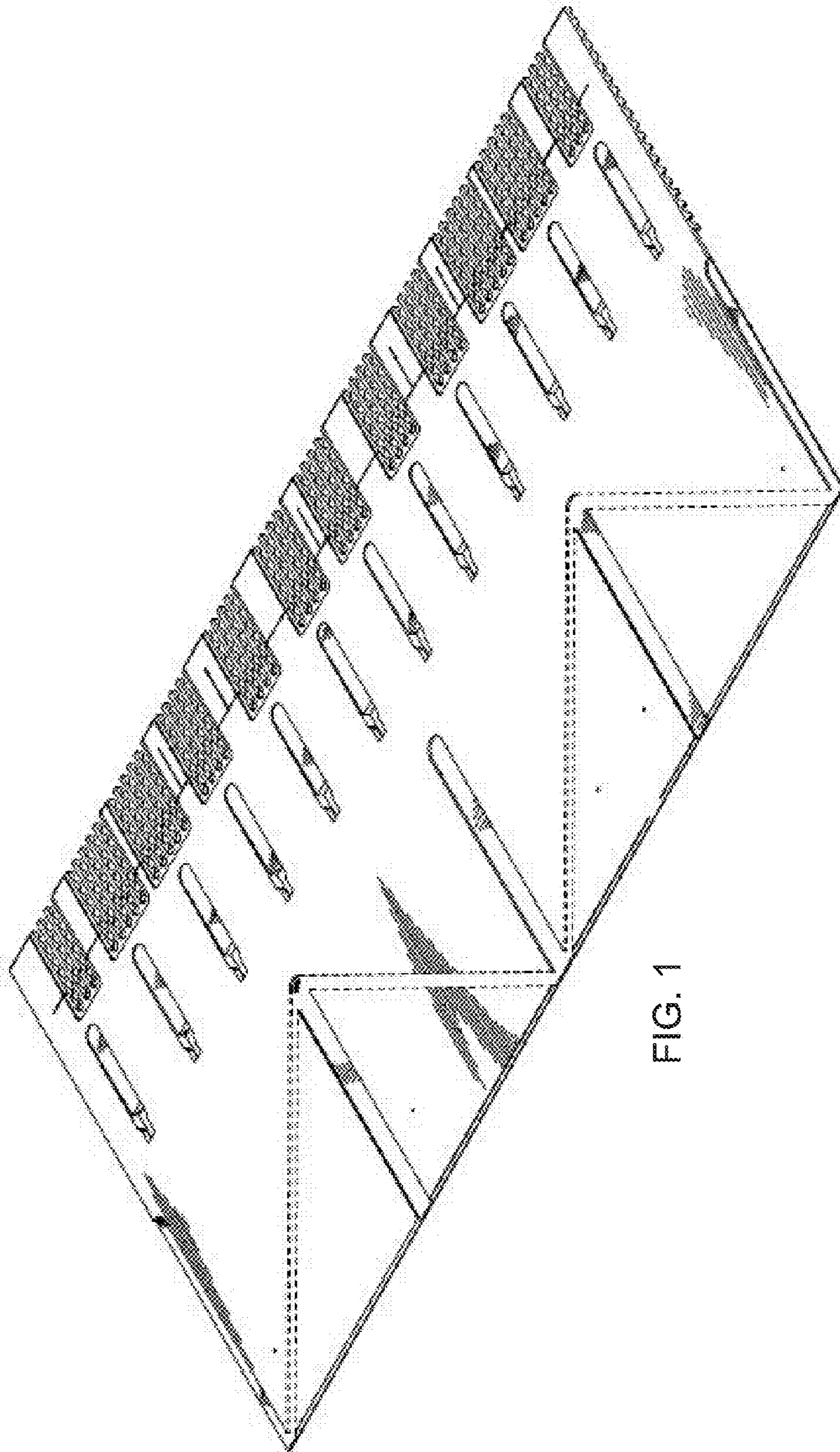


FIG. 1

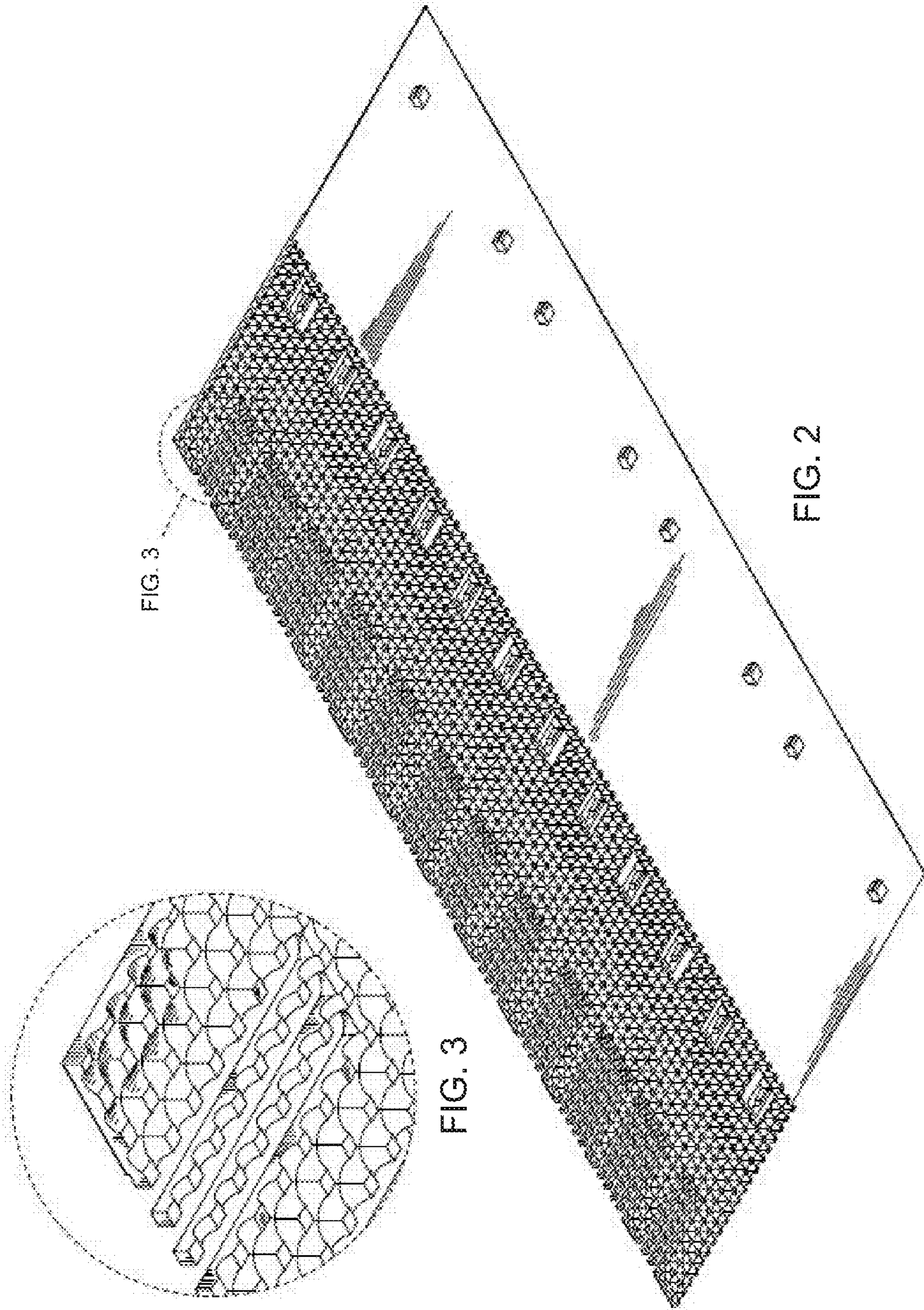


FIG. 3

FIG. 2

FIG. 3

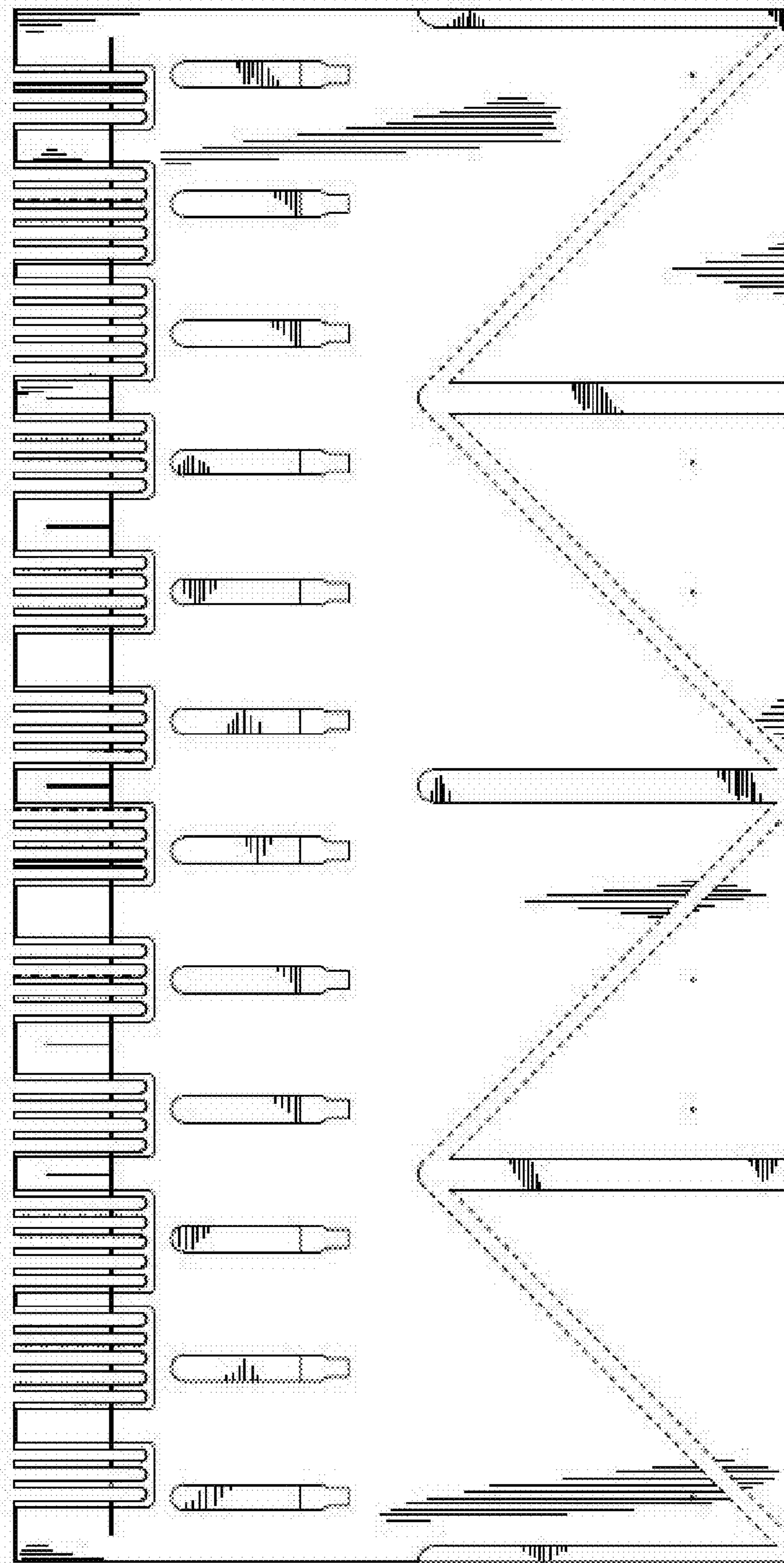


FIG. 4

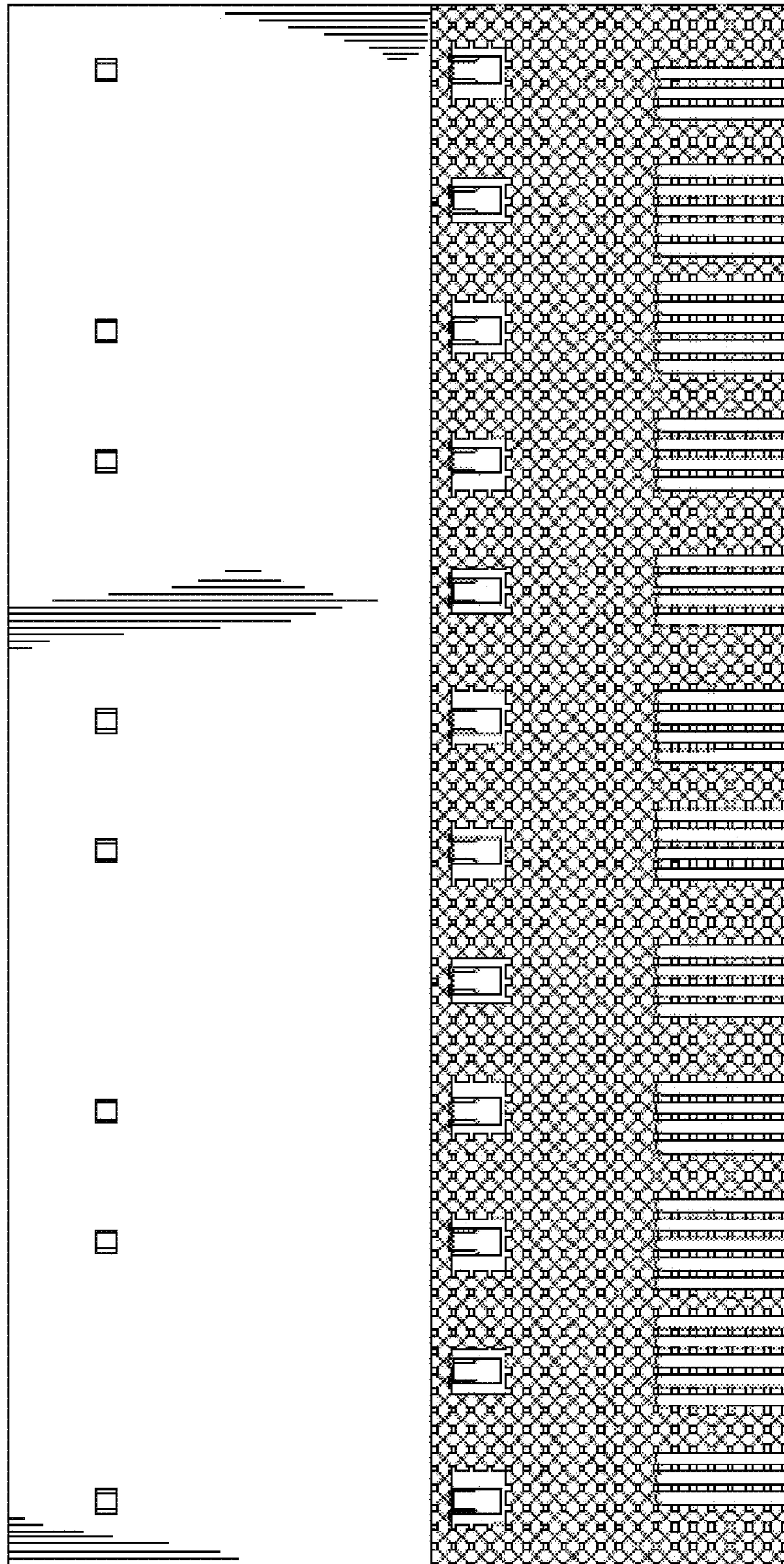


FIG. 5



FIG. 6



FIG. 7



FIG. 8



FIG. 9