



US00D699857S

(12) **United States Design Patent**
Py

(10) **Patent No.:** **US D699,857 S**

(45) **Date of Patent:** **** Feb. 18, 2014**

(54) **BOTTLE WITH NIPPLE**

FOREIGN PATENT DOCUMENTS

(71) Applicant: **Medical Instill Technologies, Inc.**, New Milford, CT (US)

EM 000400734-0001 S 11/2005
EM 001171391-0001 S 10/2009
WO WO-2007/120719 A3 2/2008

(72) Inventor: **Daniel Py**, Larchmont, NY (US)

OTHER PUBLICATIONS

(73) Assignee: **Medical Instill Technologies, Inc.**, New Milford, CT (US)

International Search Report and Written Opinion of the International Searching Authority for International Application No. PCT/US2008/81393.

(**) Term: **14 Years**

(Continued)

(21) Appl. No.: **29/452,981**

Primary Examiner — Susan E Krakower

(22) Filed: **Apr. 24, 2013**

(74) *Attorney, Agent, or Firm* — McCarter & English, LLP

Related U.S. Application Data

(62) Division of application No. 29/429,044, filed on Aug. 7, 2012, now Pat. No. Des. 681,834, which is a division of application No. 29/400,406, filed on Aug. 26, 2011, now Pat. No. Des. 667,559, which is a division of application No. 29/357,349, filed on Mar. 11, 2010, now Pat. No. Des. 644,334.

(57) **CLAIM**

The ornamental design for a bottle with nipple, as shown and described.

(51) **LOC (10) Cl.** **24-04**

(52) **U.S. Cl.**
USPC **D24/196**; D24/197

(58) **Field of Classification Search**
USPC D24/193–199, 117; D7/510–511, D7/533–534; D9/500, 503–504, 547; 215/11.1–11.6, 387, 398, DIG. 8
See application file for complete search history.

DESCRIPTION

FIG. 1 is a side perspective view of a bottle with nipple;
FIG. 2 is a left side elevational view of the bottle with nipple of FIG. 1;
FIG. 3 is a rear elevational view of the bottle with nipple of FIG. 1;
FIG. 4 is a right side elevational view of the bottle with nipple of FIG. 1;
FIG. 5 is a front elevational view of the bottle with nipple of FIG. 1;
FIG. 6 is a top plan view of the bottle with nipple of FIG. 1;
and,
FIG. 7 is a bottom plan view of the bottle with nipple of FIG. 1.

The broken lines appearing in the drawings are for the purpose of illustrating portions of the article in which the design is embodied. Portions of the article appearing in broken lines form no part of the claimed design.

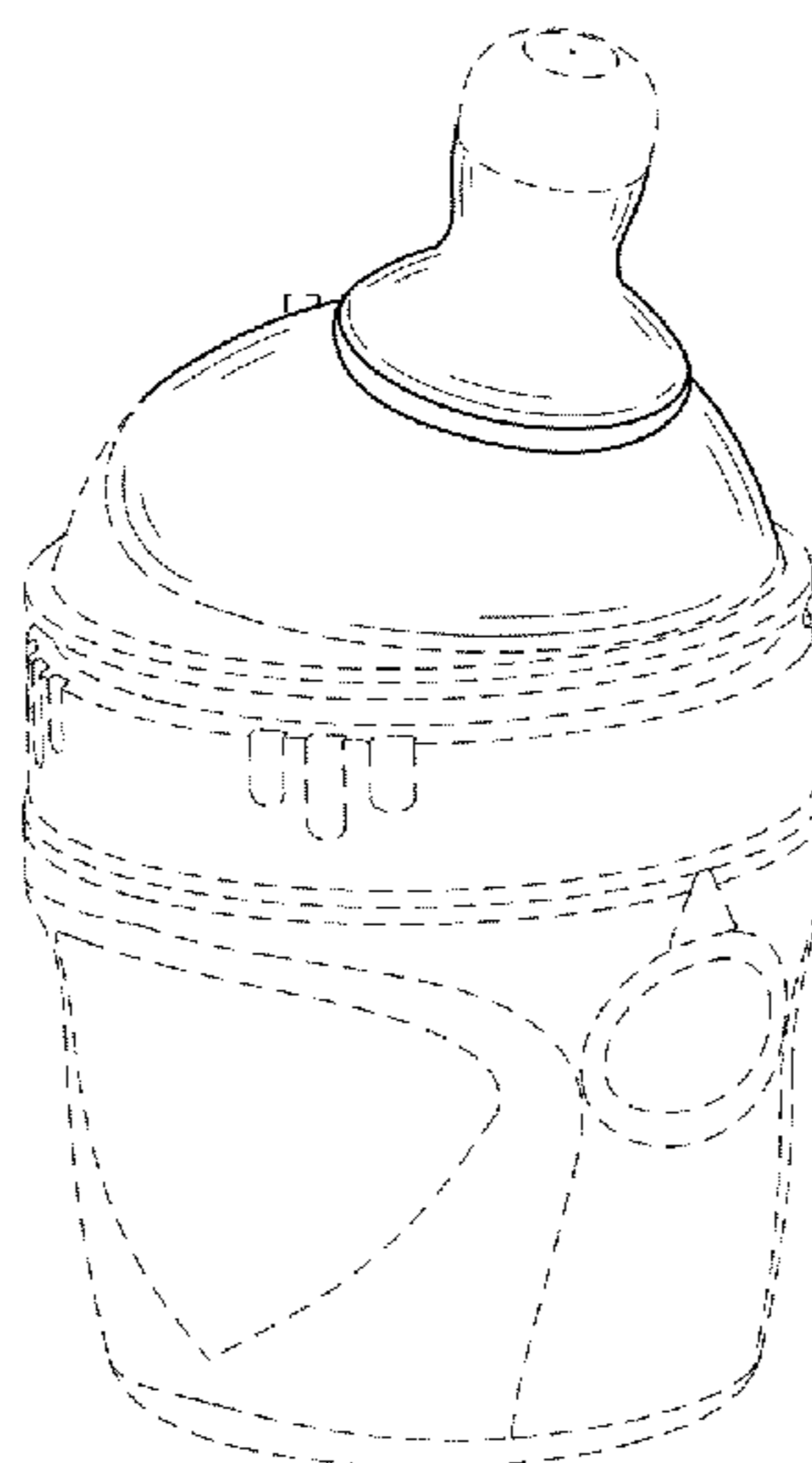
(56) **References Cited**

U.S. PATENT DOCUMENTS

714,133 A 11/1902 Blatin
1,280,942 A 11/1918 Apple
1,541,330 A 6/1925 Decker
1,620,329 A * 3/1927 Donaldson 215/11.5
1,972,895 A 9/1934 MacCoy

(Continued)

1 Claim, 2 Drawing Sheets



(56)

References Cited

U.S. PATENT DOCUMENTS

D142,980 S 11/1945 Bery
 2,514,744 A * 7/1950 Cipyak 215/11.1
 2,741,385 A 4/1956 Raiche
 2,812,764 A 11/1957 Crisp
 3,097,757 A * 7/1963 Searer 215/11.1
 4,676,387 A 6/1987 Stephenson et al.
 4,867,325 A 9/1989 Stankee
 5,101,991 A 4/1992 Morifuji et al.
 D363,128 S 10/1995 Reinke
 D373,423 S 9/1996 Mazade et al.
 5,690,679 A 11/1997 Prentiss
 D389,583 S 1/1998 Thom
 5,871,118 A 2/1999 Franzese
 5,984,141 A 11/1999 Gibler
 D440,317 S 4/2001 Tollman
 D454,642 S 3/2002 Hakim
 D464,434 S 10/2002 Morano
 6,481,571 B1 11/2002 Kelders et al.
 6,499,615 B1 12/2002 Szieff et al.
 D479,333 S 9/2003 Turnbough
 6,745,915 B2 6/2004 Rees
 6,971,551 B2 12/2005 Widgery
 D513,593 S 1/2006 Weber
 7,204,380 B2 4/2007 Webb et al.
 D547,874 S 7/2007 Horie et al.
 D564,665 S 3/2008 Kim
 D589,153 S 3/2009 Rosales
 D599,028 S 8/2009 Schofield
 D599,481 S 9/2009 Drummond
 D599,482 S 9/2009 Drummond
 D602,596 S * 10/2009 Yamashita D24/196
 7,637,382 B2 12/2009 Kraus et al.
 7,637,383 B2 12/2009 Schlumpf
 7,712,617 B2 5/2010 Silver
 D617,465 S 6/2010 Hakim
 D625,830 S 10/2010 Py et al.
 7,828,821 B2 11/2010 Renz
 D634,439 S 3/2011 Hakim
 D635,683 S 4/2011 Shaikh et al.

D636,885 S * 4/2011 Py et al. D24/197
 D639,969 S 6/2011 Pukall et al.
 D642,435 S 8/2011 Schofield et al.
 D642,436 S 8/2011 Schofield et al.
 D642,866 S 8/2011 Schofield et al.
 D644,334 S 8/2011 Py
 8,011,521 B2 9/2011 Clark
 D650,233 S 12/2011 Roehrig et al.
 D652,938 S * 1/2012 Py et al. D24/197
 8,251,235 B2 * 8/2012 Py et al. 215/11.4
 D666,731 S * 9/2012 Mustecaplioglu D24/197
 D667,559 S * 9/2012 Py D24/197
 D668,767 S * 10/2012 Stephan et al. D24/196
 D670,815 S * 11/2012 Py et al. D24/197
 8,302,804 B2 11/2012 Seddon
 D671,793 S * 12/2012 Hakim D7/392.1
 8,376,003 B2 * 2/2013 Py et al. 141/330
 D681,834 S * 5/2013 Py D24/196
 D681,836 S * 5/2013 Stephan et al. D24/197
 D683,187 S * 5/2013 Gold et al. D7/510
 8,448,796 B2 * 5/2013 Silver 215/11.1
 D685,640 S * 7/2013 Laurita D9/526
 2002/0158075 A1 10/2002 Caldicott et al.
 2005/0258201 A1 11/2005 Willows et al.
 2006/0037927 A1 2/2006 Williams et al.
 2006/0137998 A1 6/2006 Spector et al.
 2007/0283666 A1 12/2007 Py et al.
 2008/0099422 A1 5/2008 Rees
 2009/0139883 A1 6/2009 Py et al.
 2009/0139949 A1 6/2009 Py et al.
 2009/0139995 A1 6/2009 Py et al.
 2009/0314734 A1 12/2009 Pfenniger et al.

OTHER PUBLICATIONS

International Search Report and Written Opinion of the International Searching Authority for International Application No. PCT/US2008/81395.
 International Search Report and Written Opinion of the International Searching Authority for International Application No. PCT/US2008/81396.

* cited by examiner

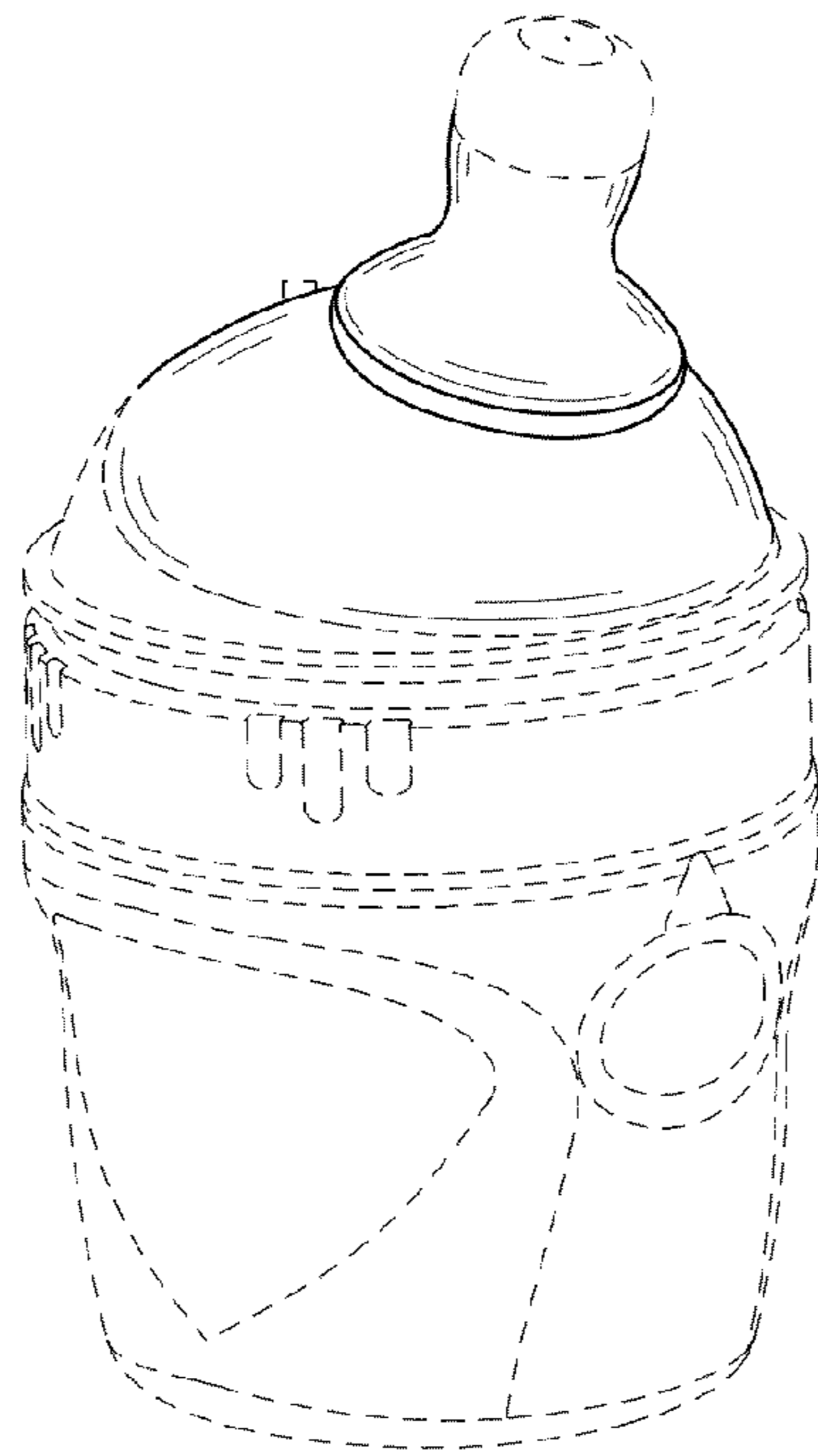


FIG. 1

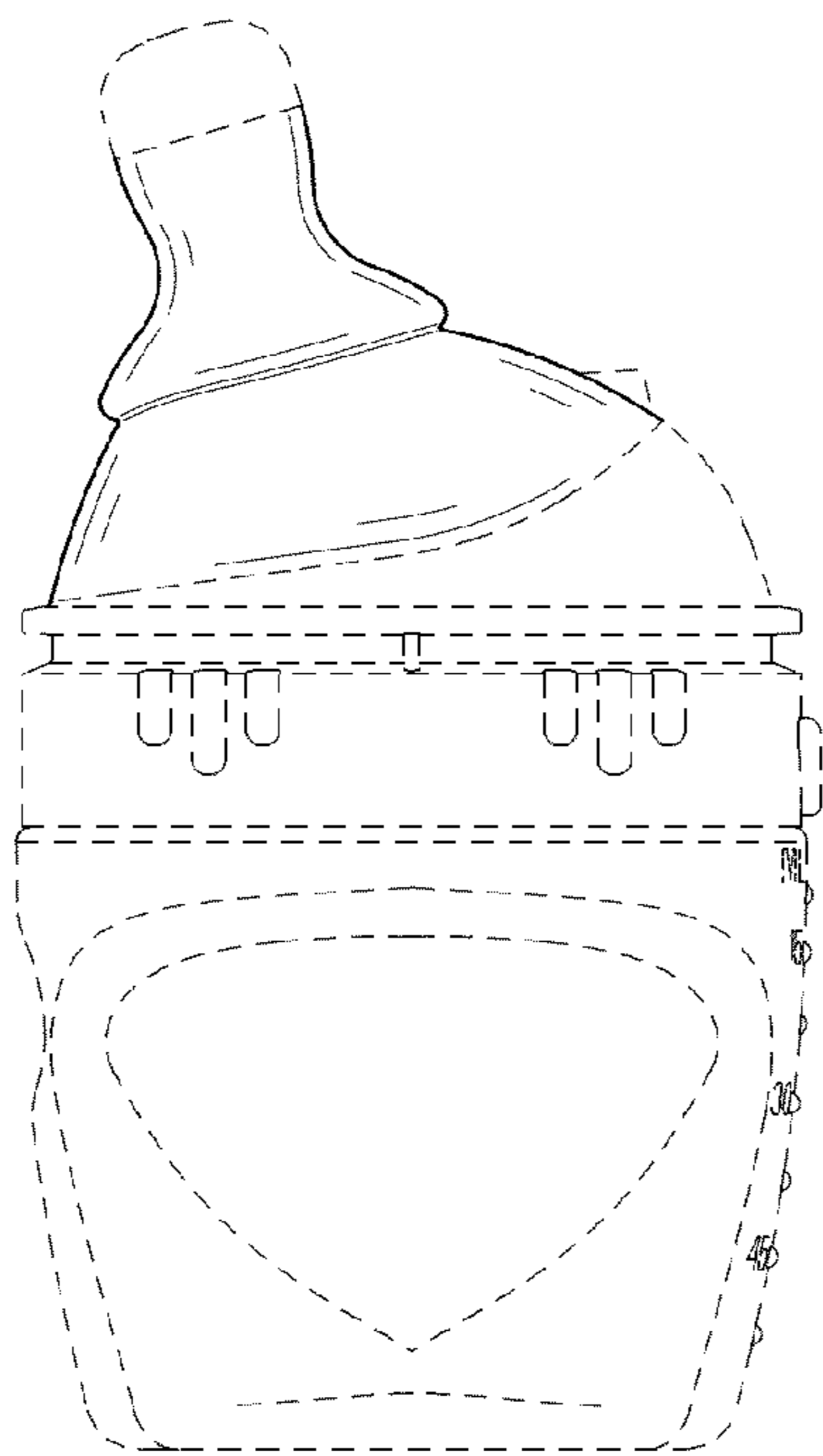


FIG. 2

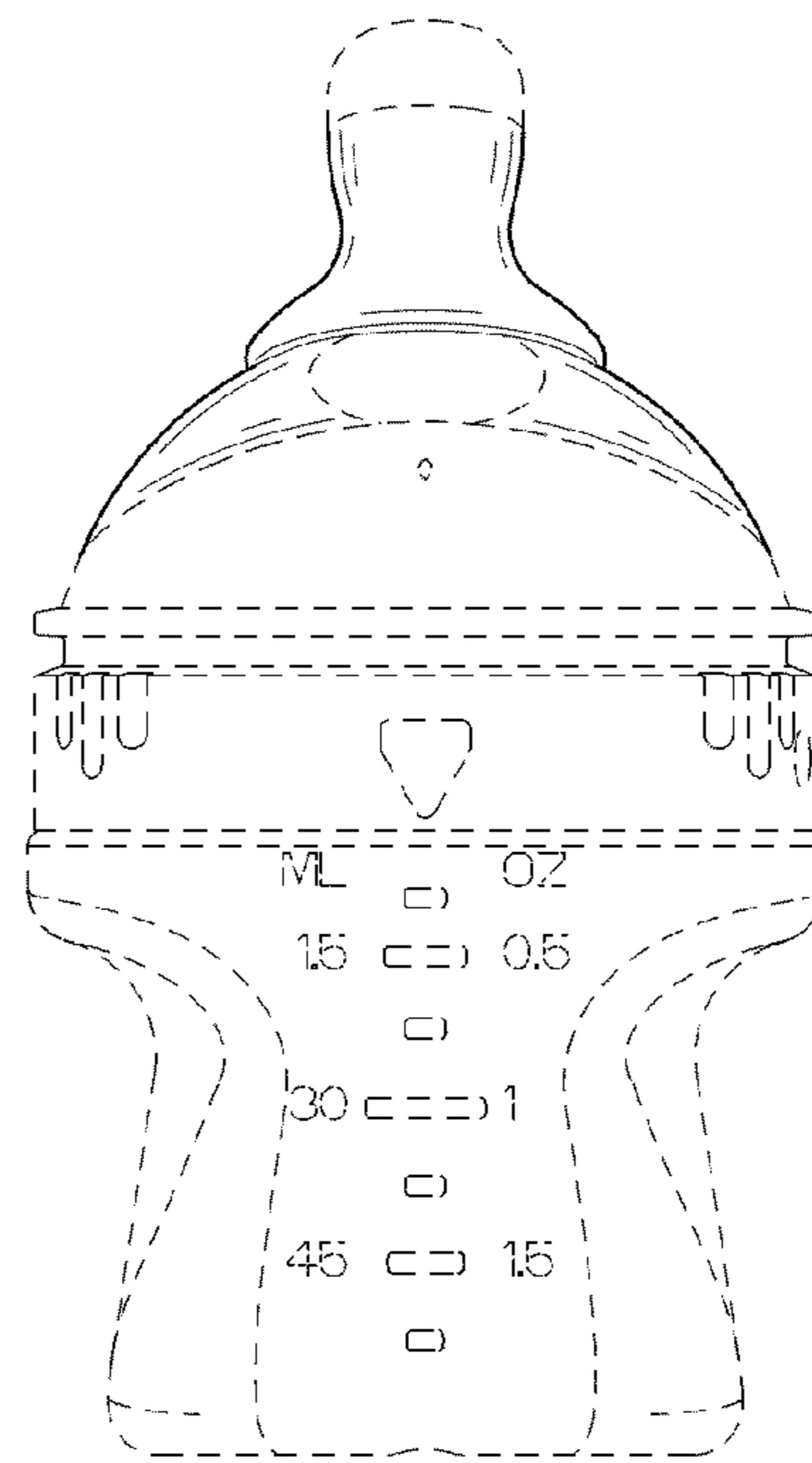


FIG. 3

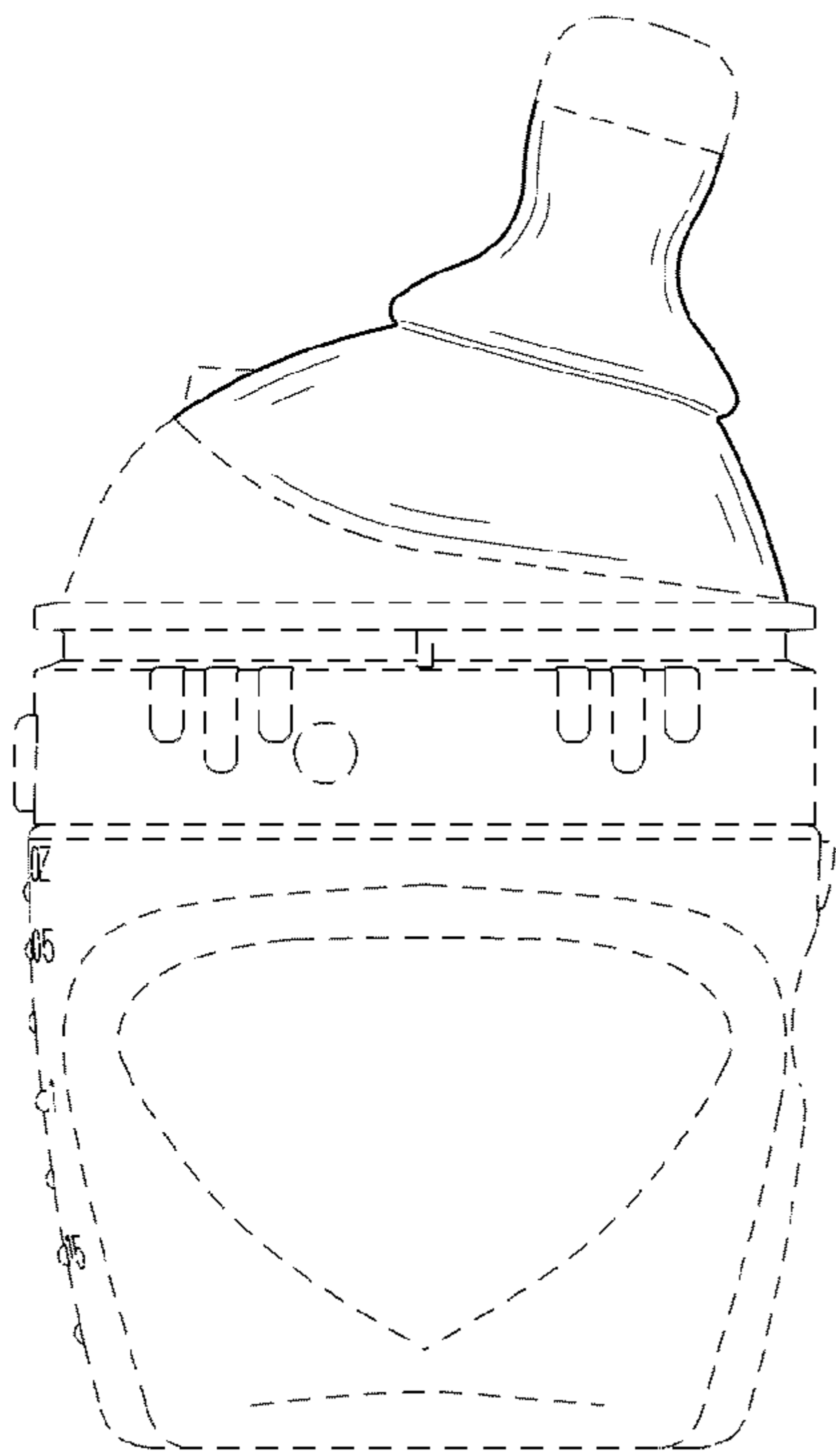


FIG. 4

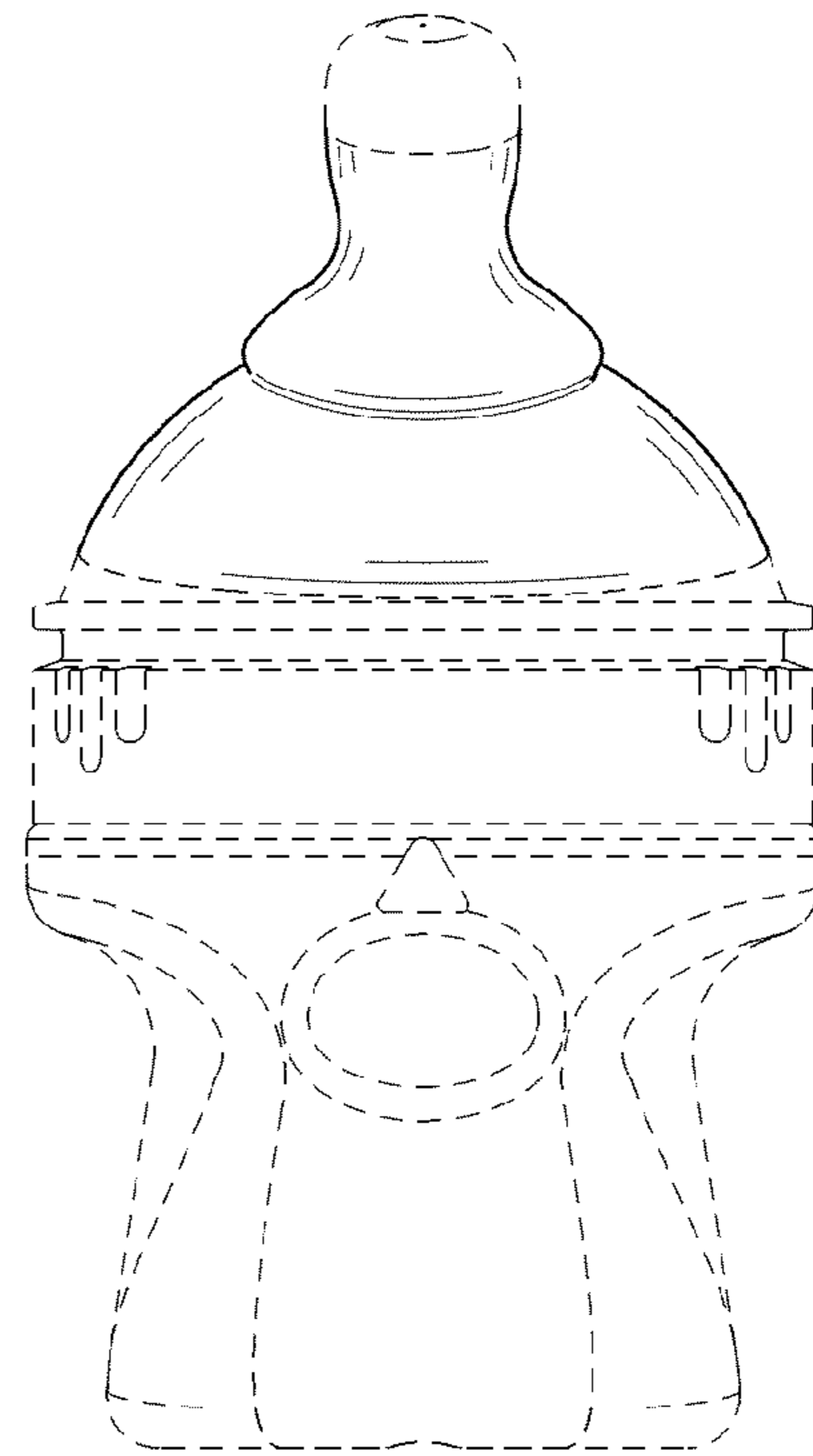


FIG. 5

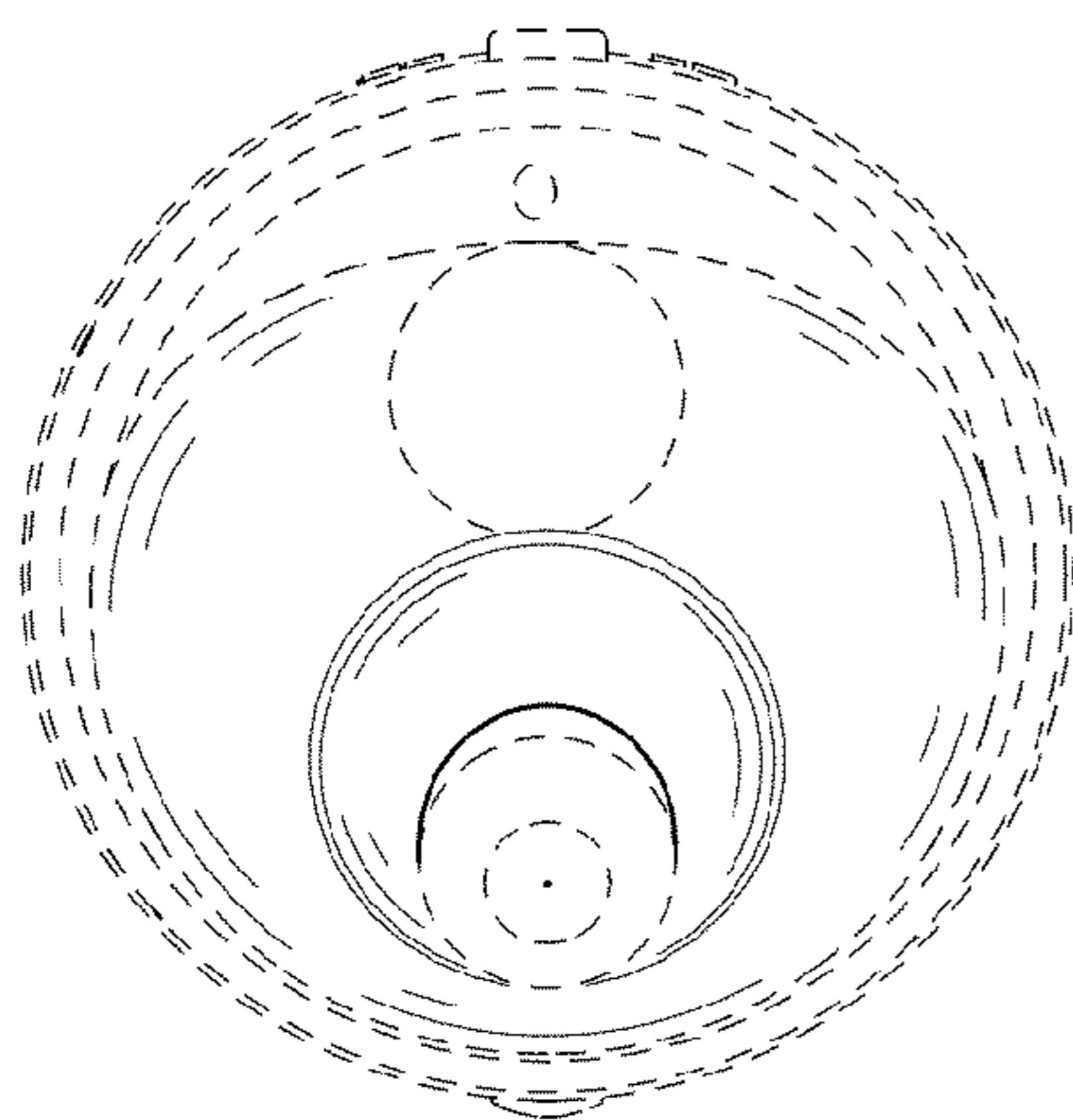


FIG. 6

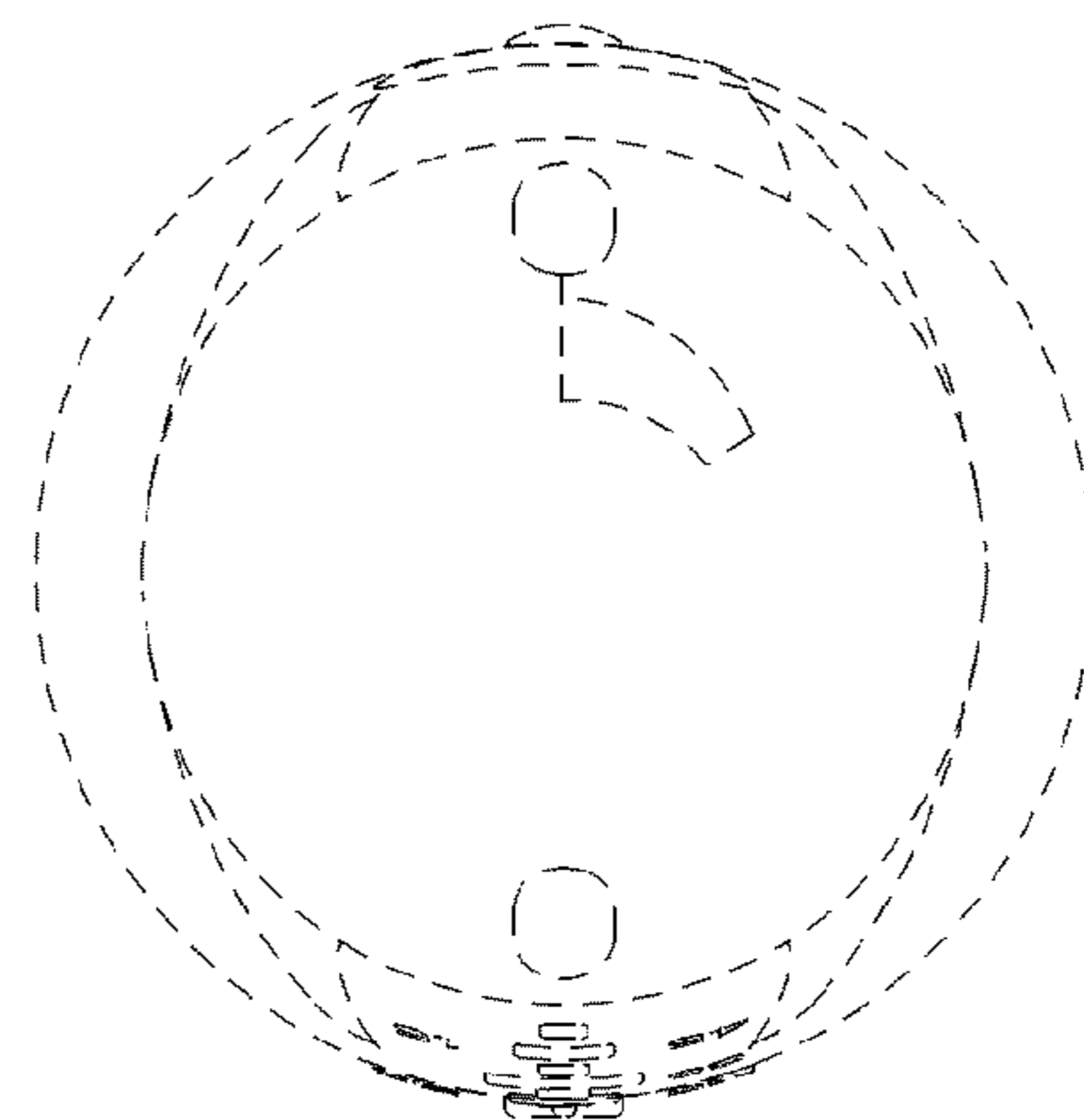


FIG. 7