



US00D699854S

(12) **United States Design Patent**
Kagawa

(10) **Patent No.:** **US D699,854 S**

(45) **Date of Patent:** **** Feb. 18, 2014**

(54) **CONTROLLER FOR APEX LOCATOR**

(71) Applicant: **Nakanishi Inc.**, Kanuma (JP)

(72) Inventor: **Takeshi Kagawa**, Kanuma (JP)

(73) Assignee: **Nakanishi Inc.**, Kanuma-shi (JP)

(**) Term: **14 Years**

(21) Appl. No.: **29/439,398**

(22) Filed: **Dec. 11, 2012**

(30) **Foreign Application Priority Data**

Jun. 15, 2012 (JP) 2012-14274

(51) **LOC (10) Cl.** **24-01**

(52) **U.S. Cl.**
USPC **D24/177**

(58) **Field of Classification Search**
USPC D24/176-177, 107, 180; D10/46;
D13/162, 184; 433/54-58, 60-61, 224,
433/229; 600/547

See application file for complete search history.

(56) **References Cited**

U.S. PATENT DOCUMENTS

4,193,408 A * 3/1980 Fujino 600/547
D318,113 S * 7/1991 Moutafis et al. D24/176
D427,155 S * 6/2000 Pawley et al. D13/162
D457,144 S * 5/2002 Suen D13/162
6,482,008 B2 * 11/2002 Perdomini et al. 433/224

6,948,933 B2 * 9/2005 Oh 433/224
D539,428 S * 3/2007 Nakanishi D24/177
D601,262 S * 9/2009 Okawa et al. D24/176
D606,199 S * 12/2009 Vu et al. D24/177
D629,908 S * 12/2010 Jerger et al. D24/176

* cited by examiner

Primary Examiner — Wan Laymon

(74) *Attorney, Agent, or Firm* — Jason D. Voight

(57) **CLAIM**

The ornamental design for a controller for apex locator, as shown and described.

DESCRIPTION

FIG. 1 is a front elevation of a controller for apex locator; FIG. 2 is a rear elevation thereof; FIG. 3 is a right side elevation thereof; FIG. 4 is a left side elevation thereof; FIG. 5 is a top plan view thereof; FIG. 6 is a bottom plan view thereof; FIG. 7 is a perspective view thereof; FIG. 8 is a perspective view thereof in a power-on state; FIG. 9 is a front elevation thereof in a power-on state; and, FIG. 10 is a top plan view thereof in a power-on state. Portions of the controller for apex locator shown in broken lines form no part of the claimed design. The product is a dental instrument for measuring root canal length.

1 Claim, 5 Drawing Sheets

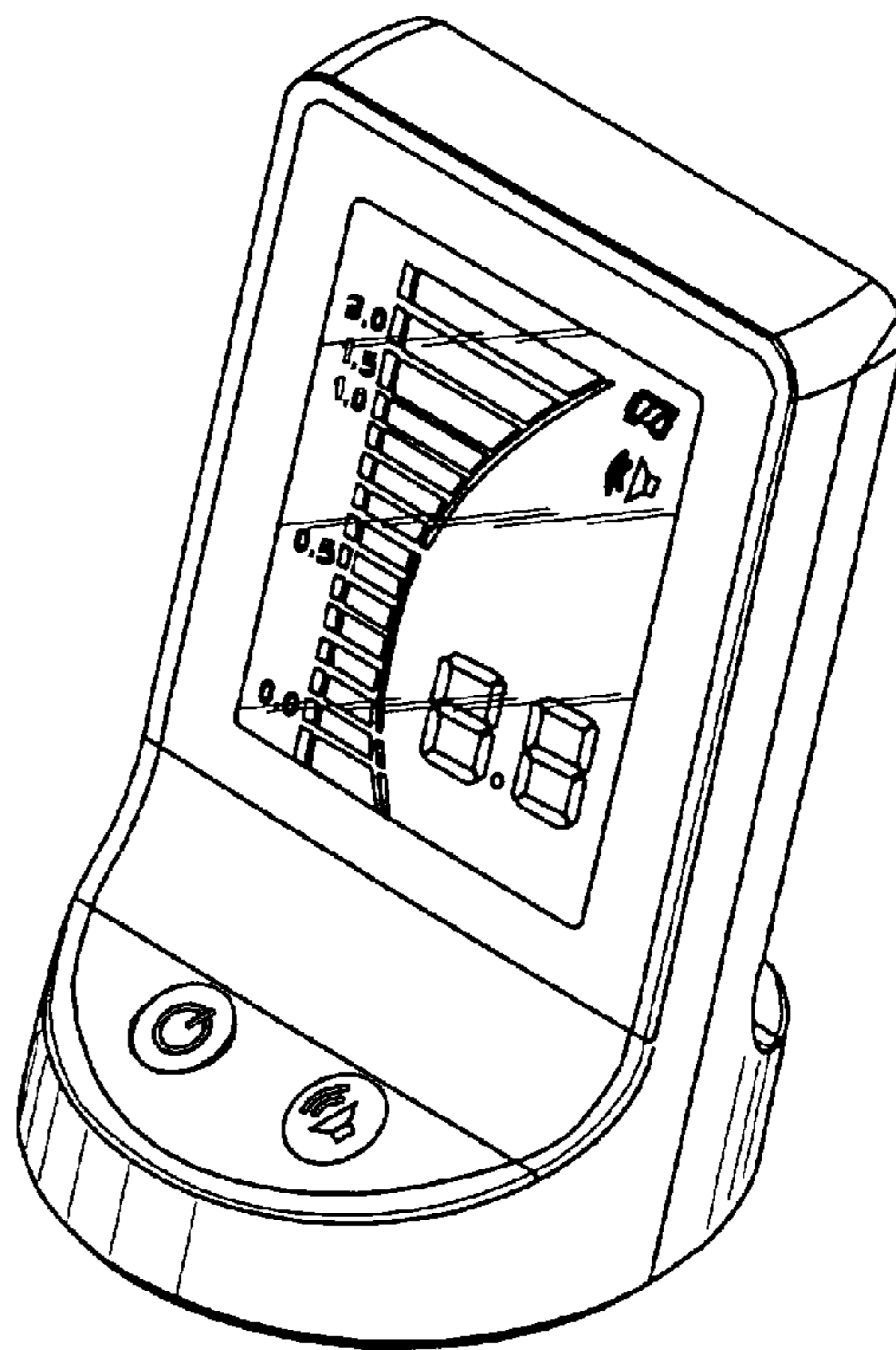
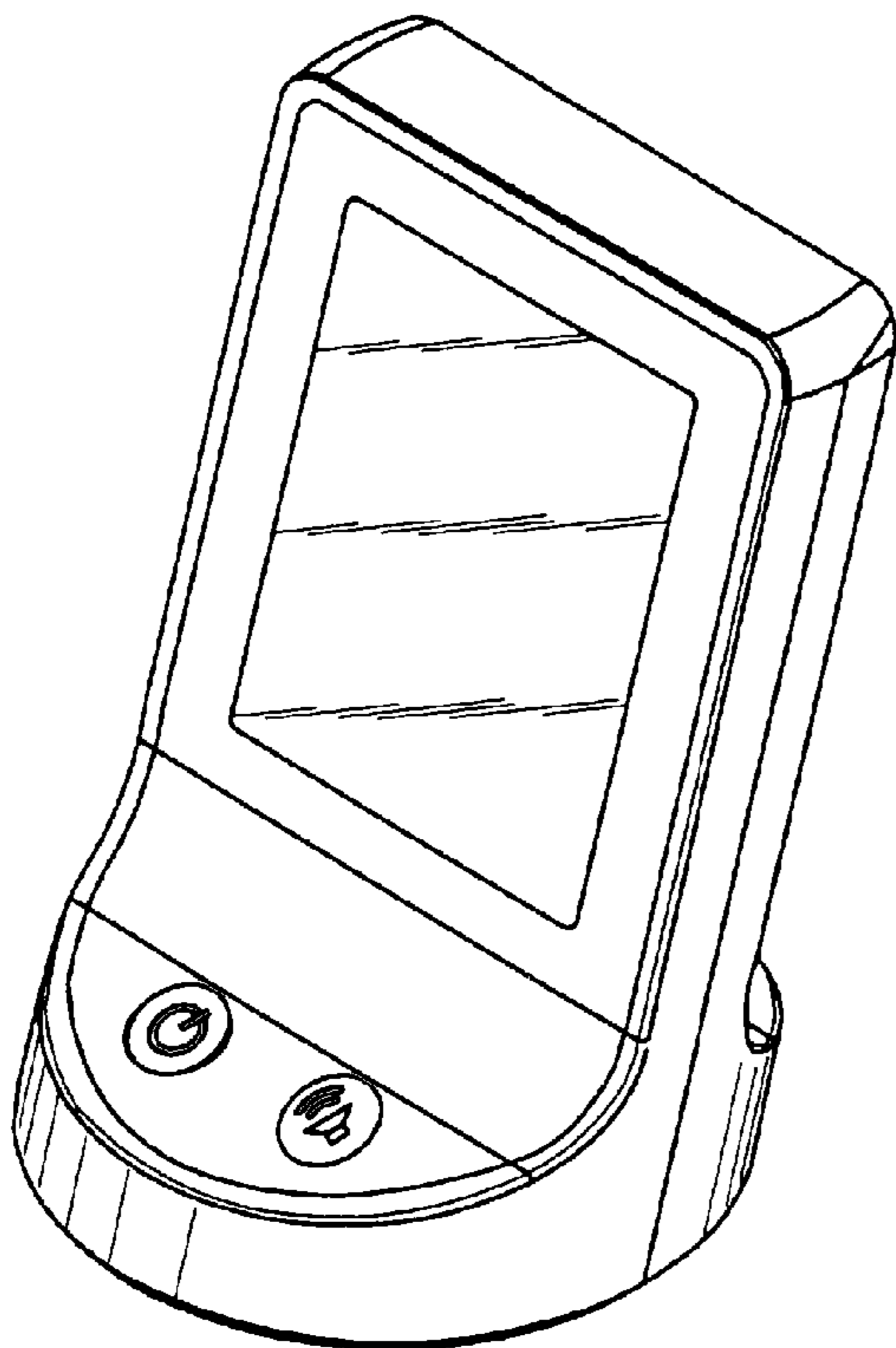


FIG. 1

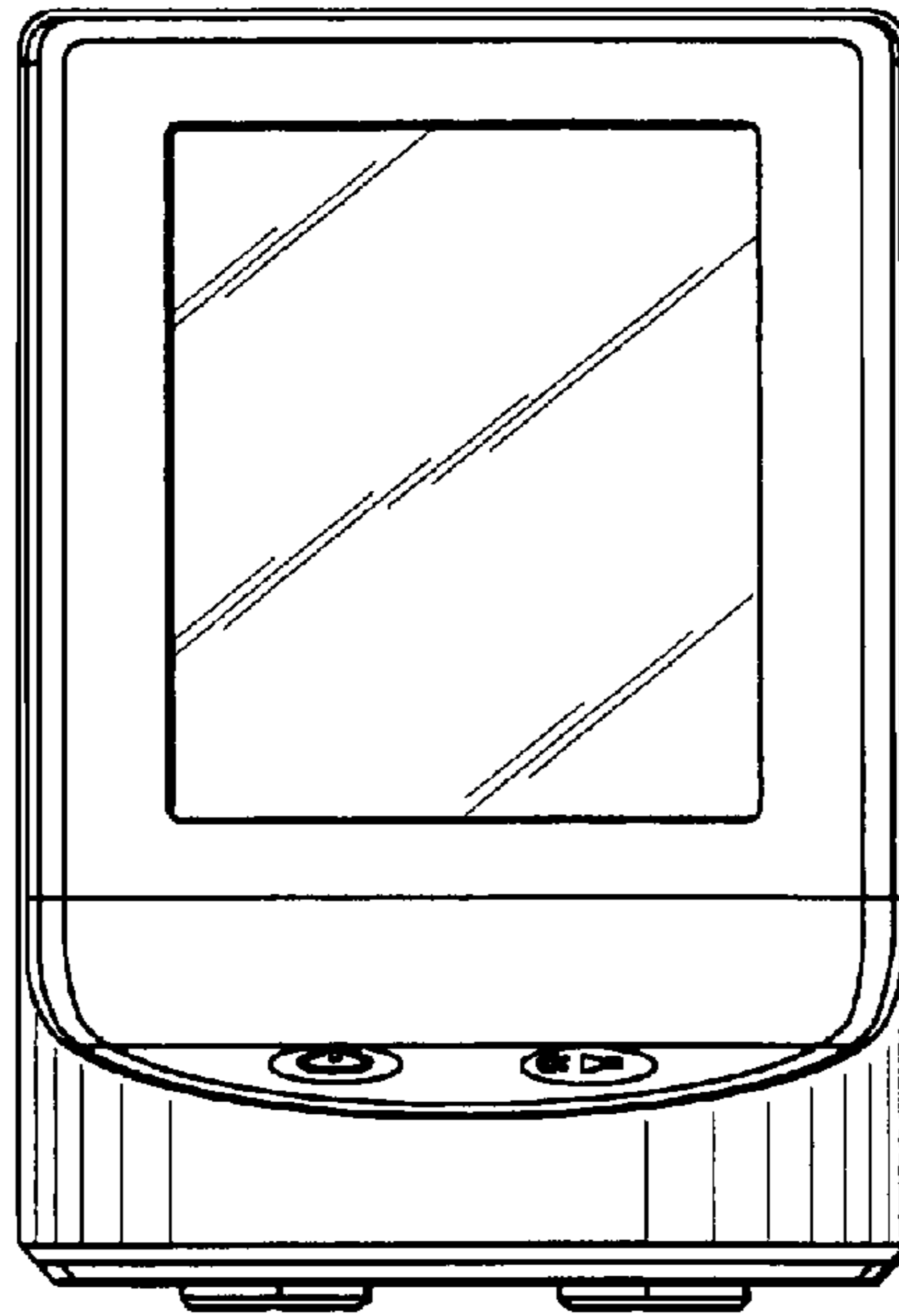


FIG. 2

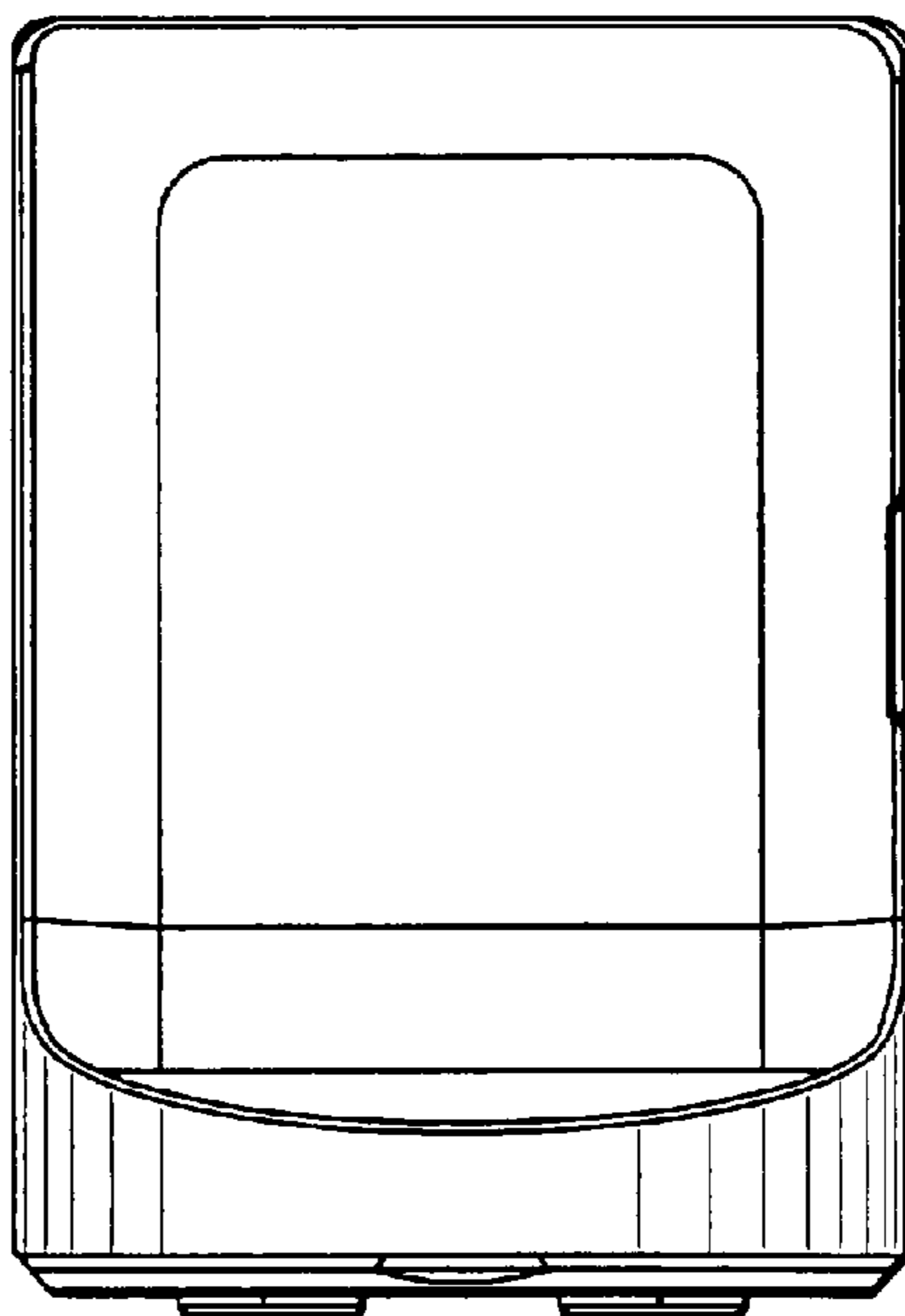


FIG. 3

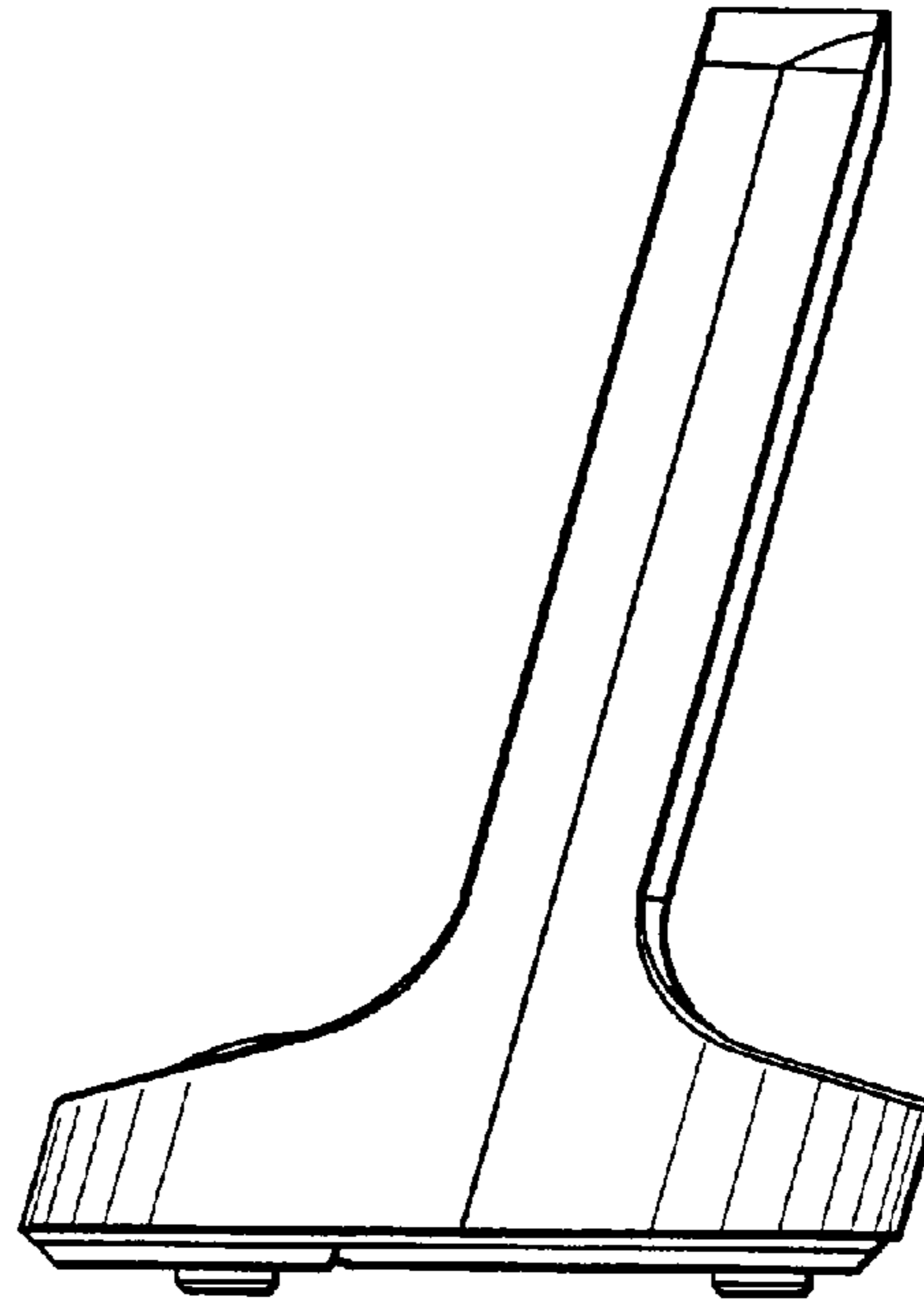


FIG. 4

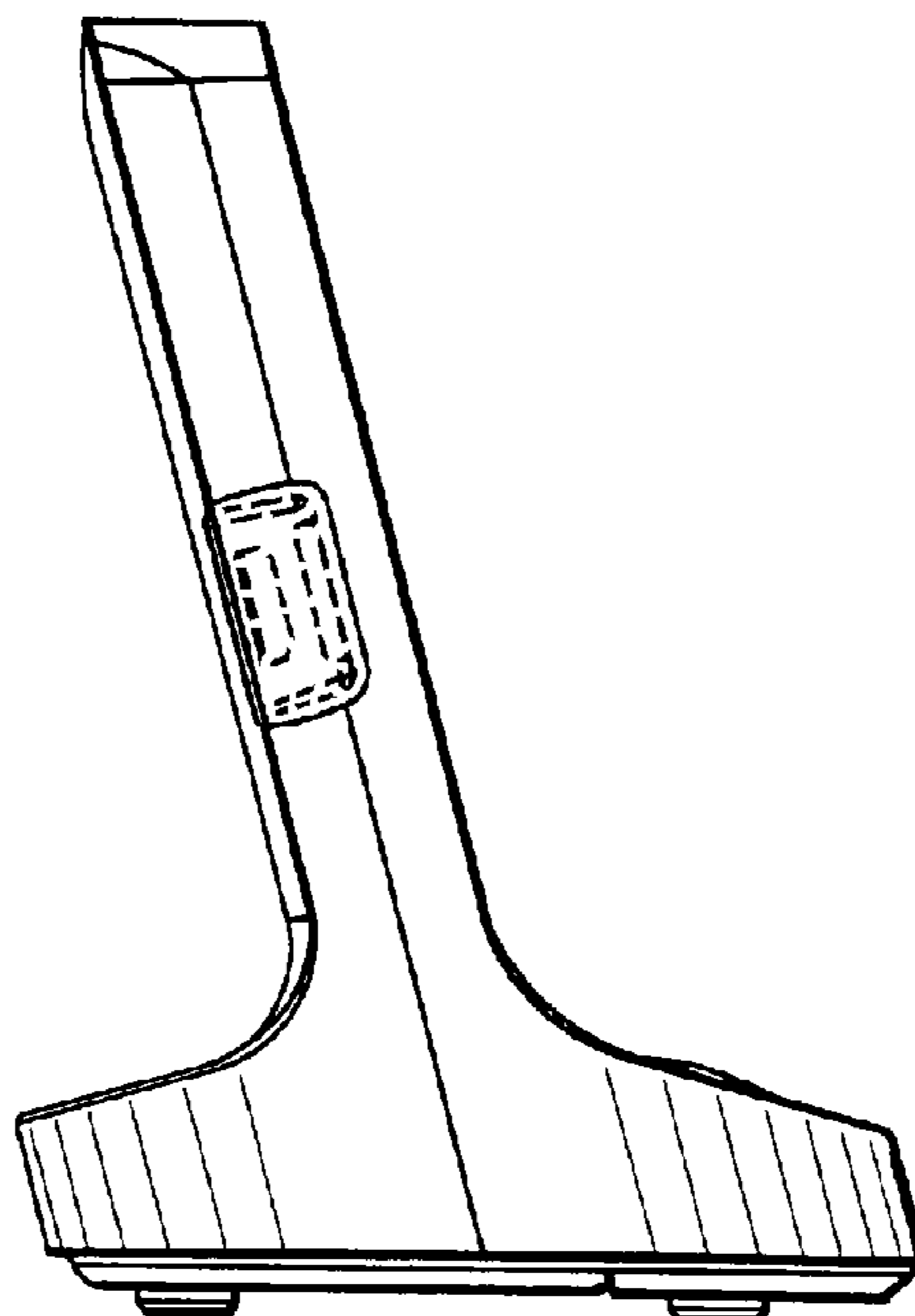


FIG. 5

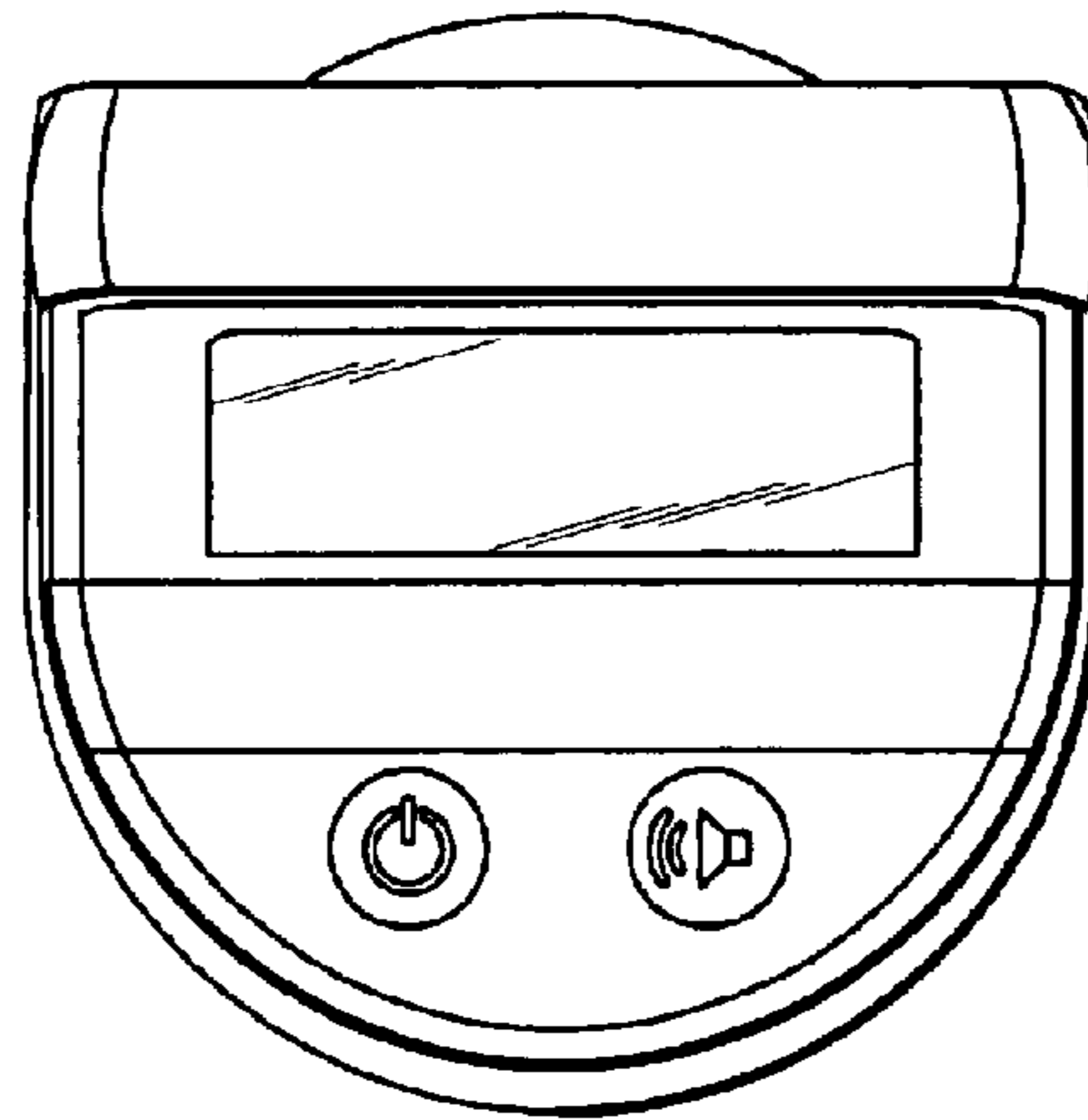


FIG. 6

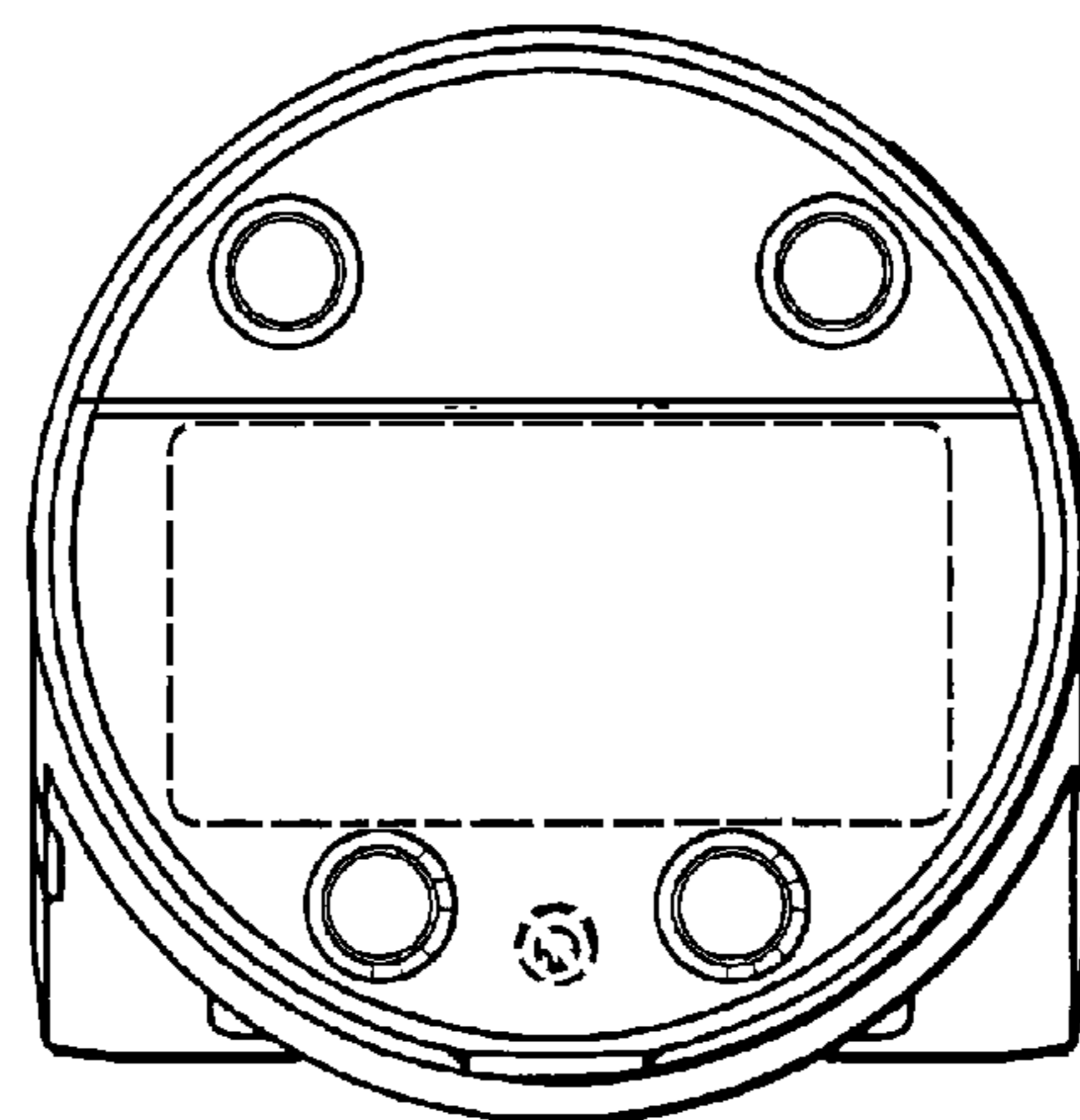


FIG. 7

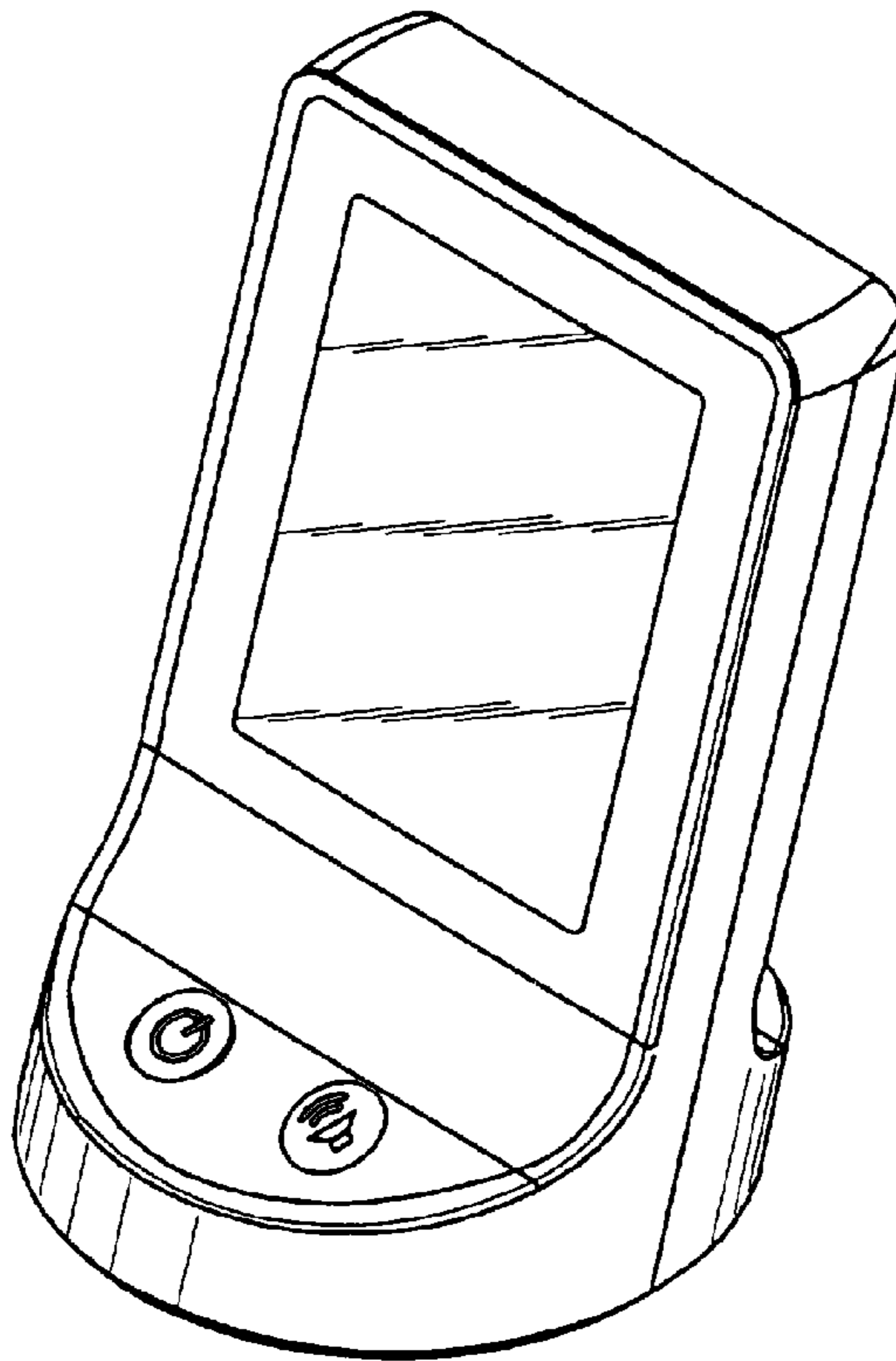


FIG. 8

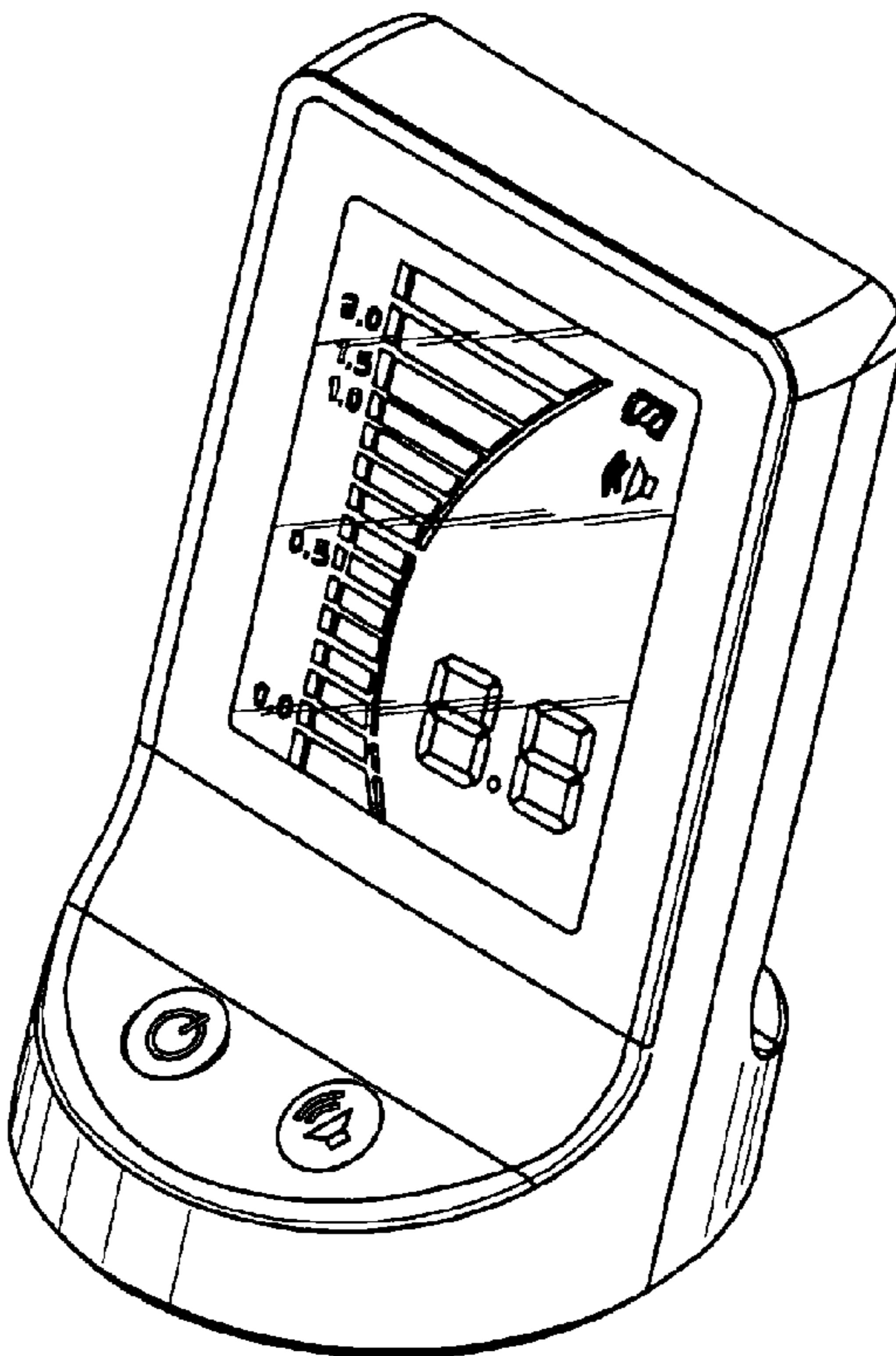


FIG. 9

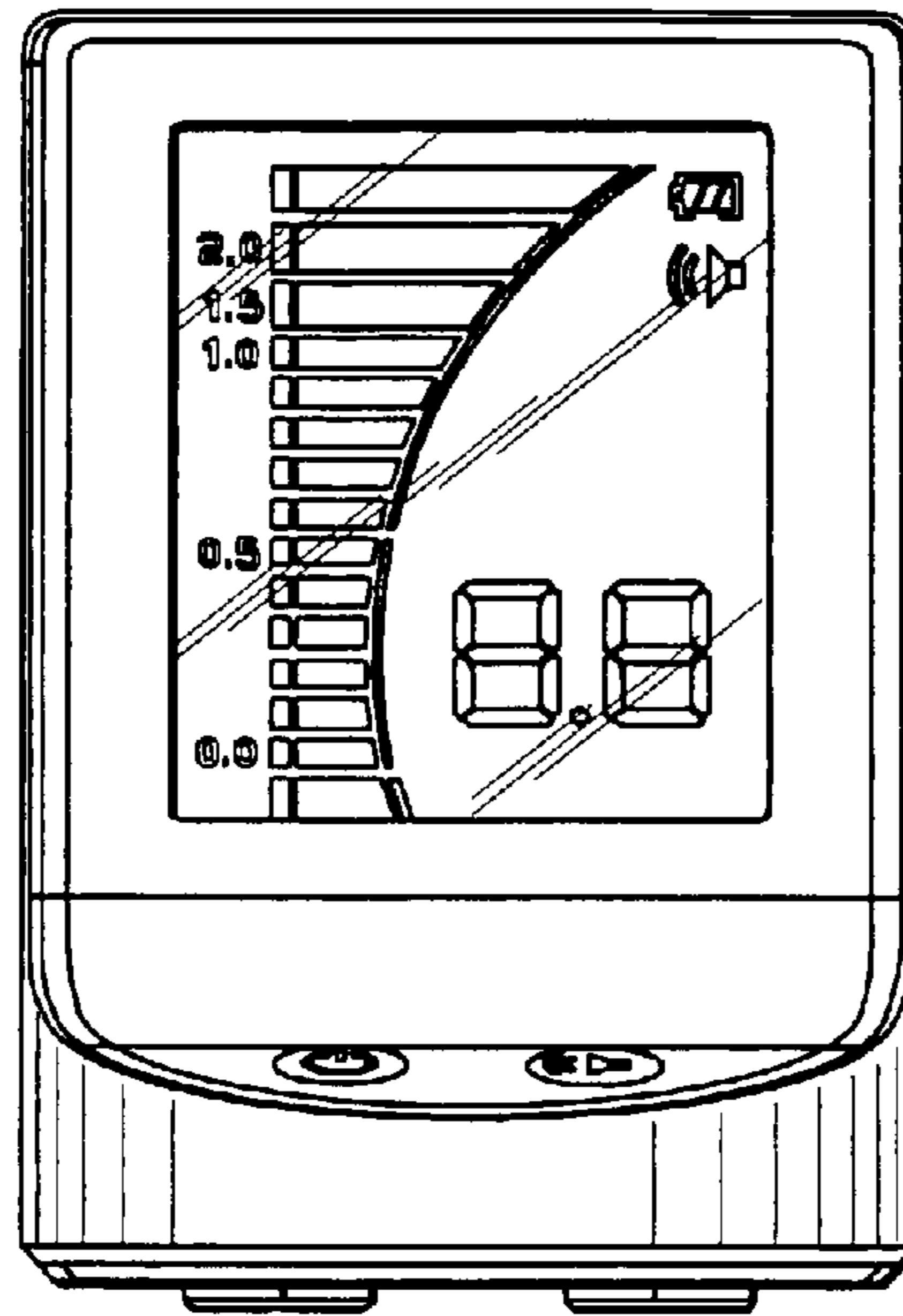


FIG. 10

