



US00D699853S

(12) **United States Design Patent**  
**Confield et al.**

(10) **Patent No.:** **US D699,853 S**

(45) **Date of Patent:** **\*\* Feb. 18, 2014**

(54) **ANALYTE TEST METER**

(75) Inventors: **Ivan Confield**, Inverness (GB); **Rochelle Kleinberg**, New York, NY (US); **Sophie Edgar**, Wayne, PA (US); **Luca Valsecchi**, Milan (IT); **Allan Orr**, Inverness (GB); **David Colin Crosland**, Edinburgh (GB); **Flavio Galli**, Monza (IT)

(73) Assignee: **LifeScan Scotland Limited** (GB)

(\*\*) Term: **14 Years**

(21) Appl. No.: **29/428,385**

(22) Filed: **Jul. 30, 2012**

(51) **LOC (10) Cl.** ..... **24-01**

(52) **U.S. Cl.**  
USPC ..... **D24/169**

(58) **Field of Classification Search**  
USPC ..... D24/107, 165-169, 186, 216, 223, 231,  
D24/232; D10/78, 81; 422/68.1, 400, 565;  
205/792; 435/41, 287.1; 600/309, 316,  
600/322, 365, 368

See application file for complete search history.

(56) **References Cited**

U.S. PATENT DOCUMENTS

D545,438	S	*	6/2007	Huang et al.	.....	D24/186
D600,349	S	*	9/2009	Bell et al.	.....	D24/169
D628,915	S	*	12/2010	Faulkner et al.	.....	D10/78
D639,958	S	*	6/2011	Presta et al.	.....	D24/169
8,145,431	B2	*	3/2012	Kloepfer et al.	.....	422/400
D670,812	S	*	11/2012	Huang	.....	D24/169
2010/0279418	A1	*	11/2010	Larson et al.	.....	436/63

\* cited by examiner

*Primary Examiner* — Anhdao Doan

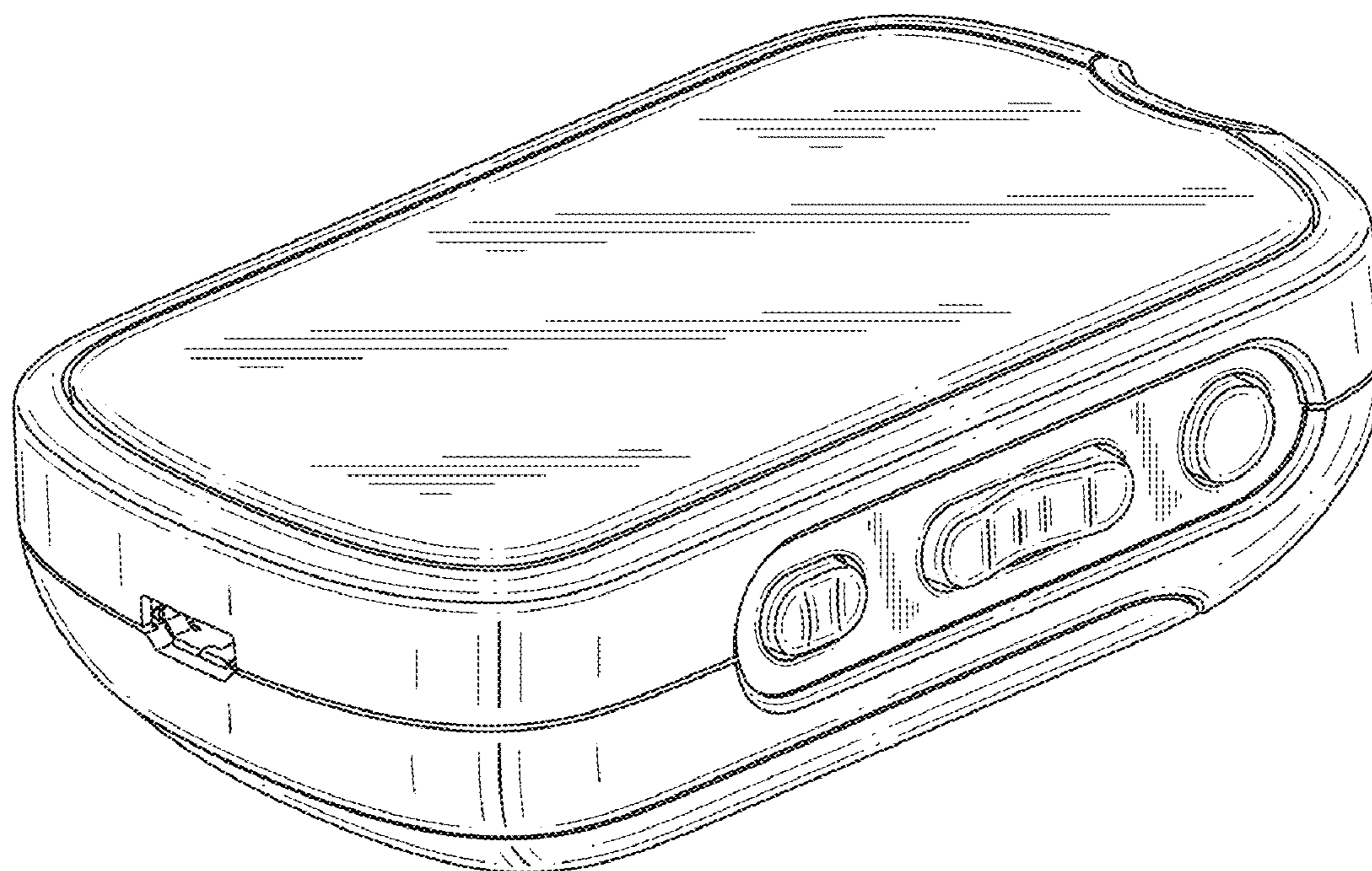
(57) **CLAIM**

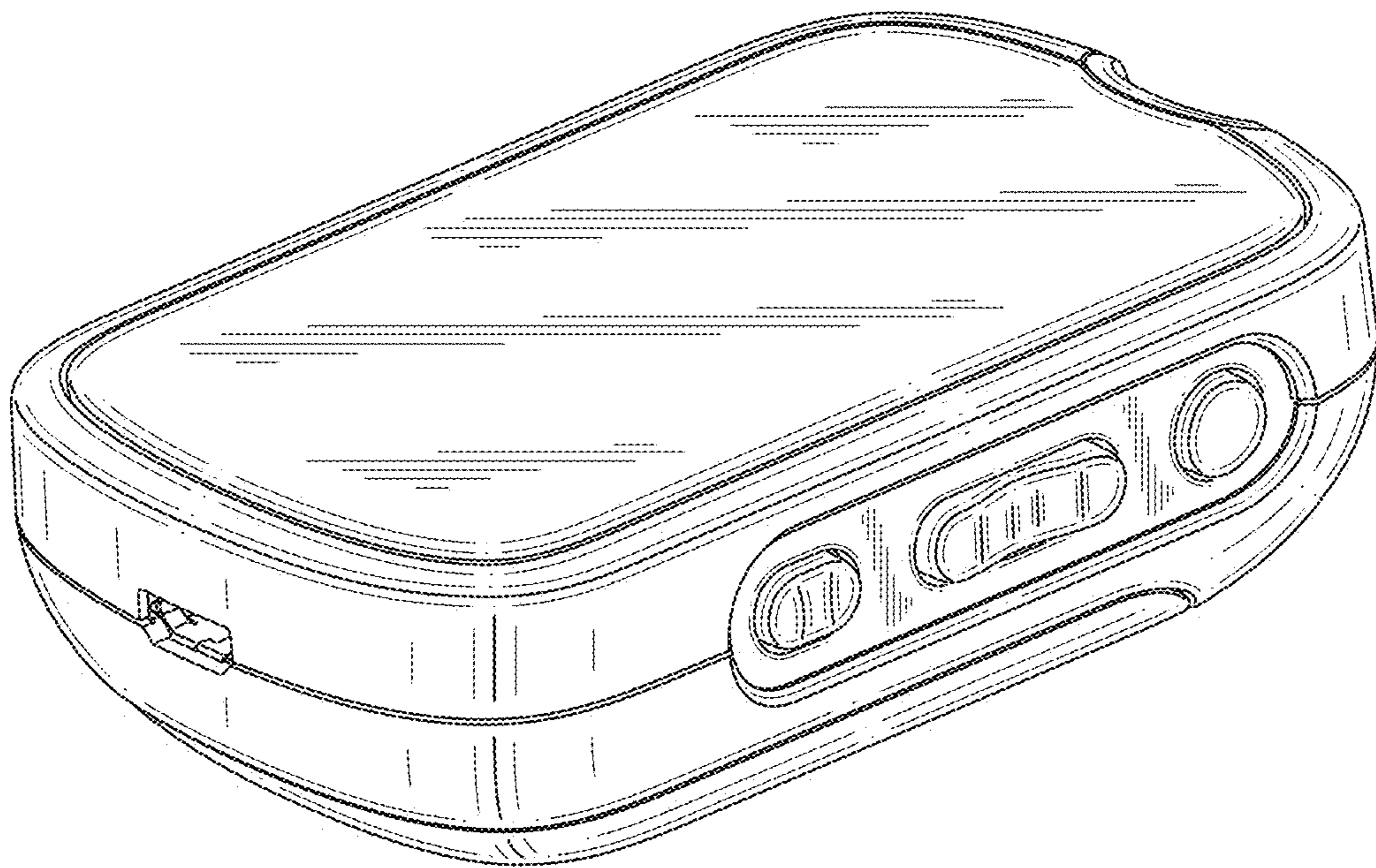
We claim the ornamental design for an analyte test meter, as shown and described.

**DESCRIPTION**

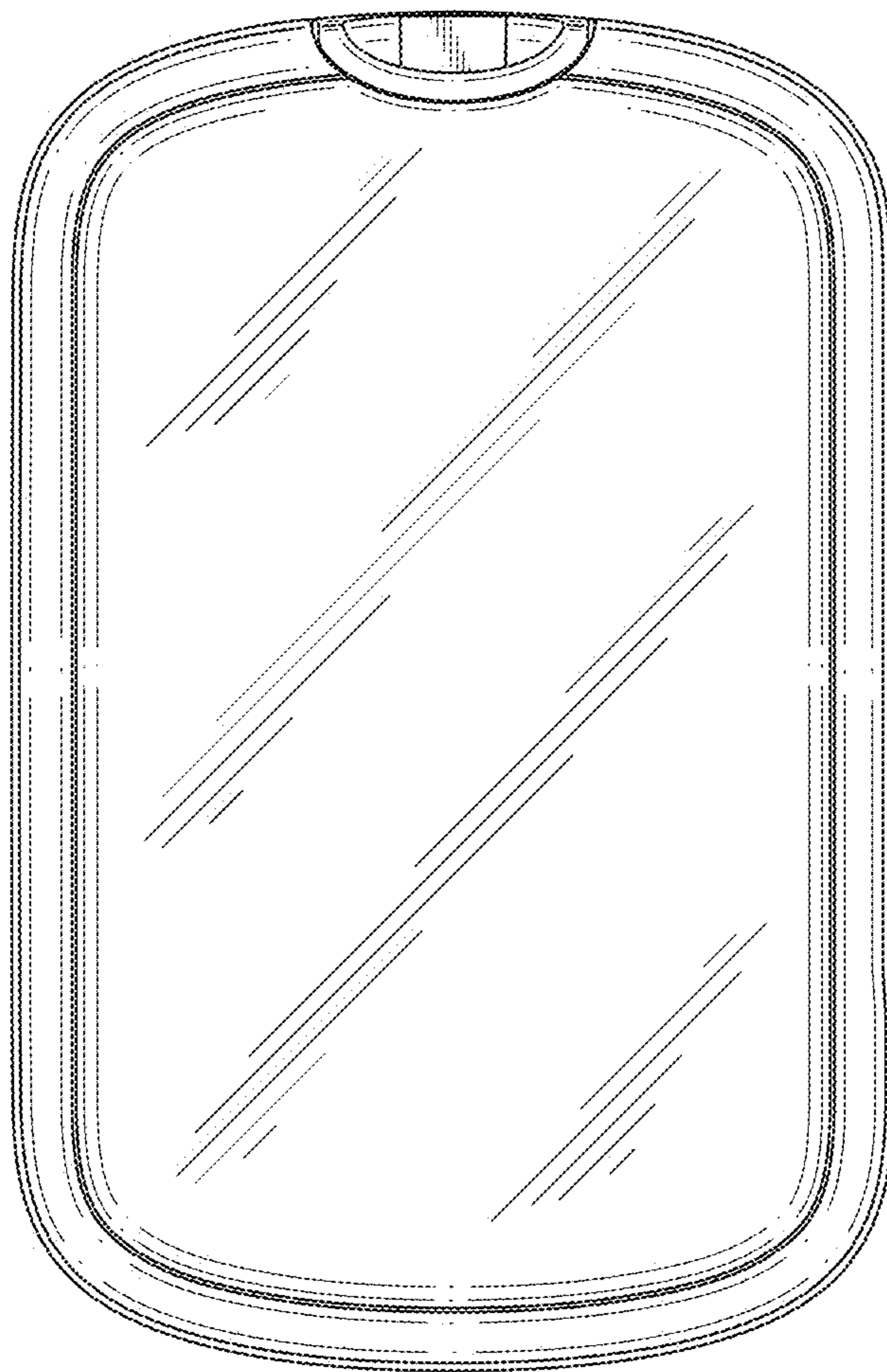
FIG. 1 is a top, front and right side perspective view of an analyte test meter;  
FIG. 2 is a top plan view thereof;  
FIG. 3 is a right side elevational view thereof;  
FIG. 4 is a bottom plan view thereof;  
FIG. 5 is a left side elevational view thereof;  
FIG. 6 is a rear elevational view thereof; and,  
FIG. 7 is a front elevational view thereof.  
The broken lines in FIGS. 4, 6 and 7 are included for the purpose of illustrating portions of the analyte test meter that form no part of the claimed design.

**1 Claim, 6 Drawing Sheets**



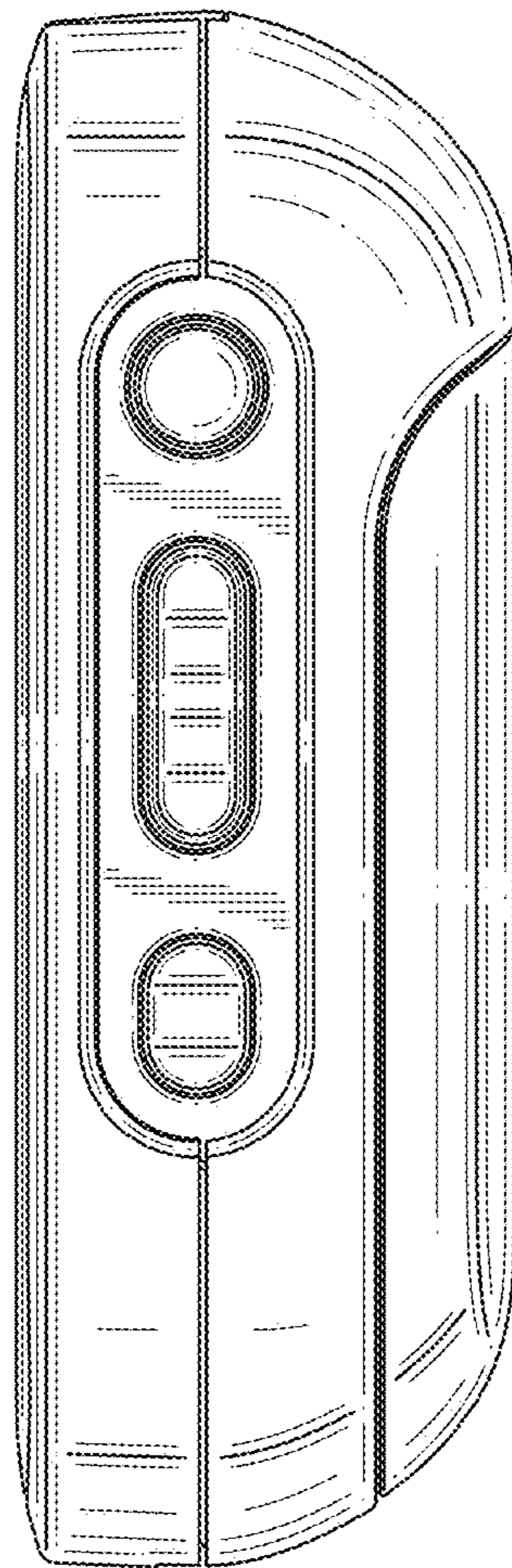


**FIG. 1**

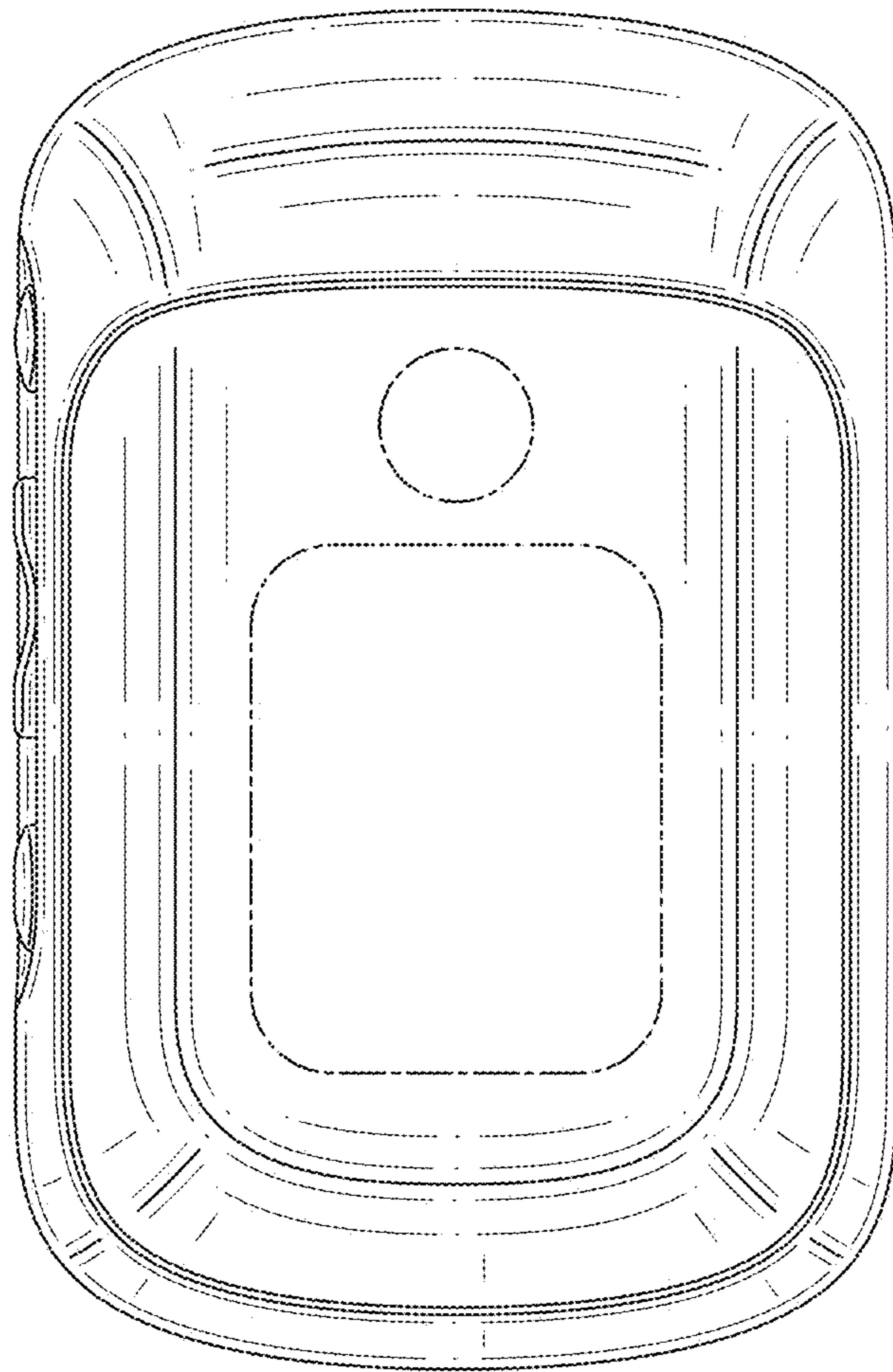


**FIG. 2**

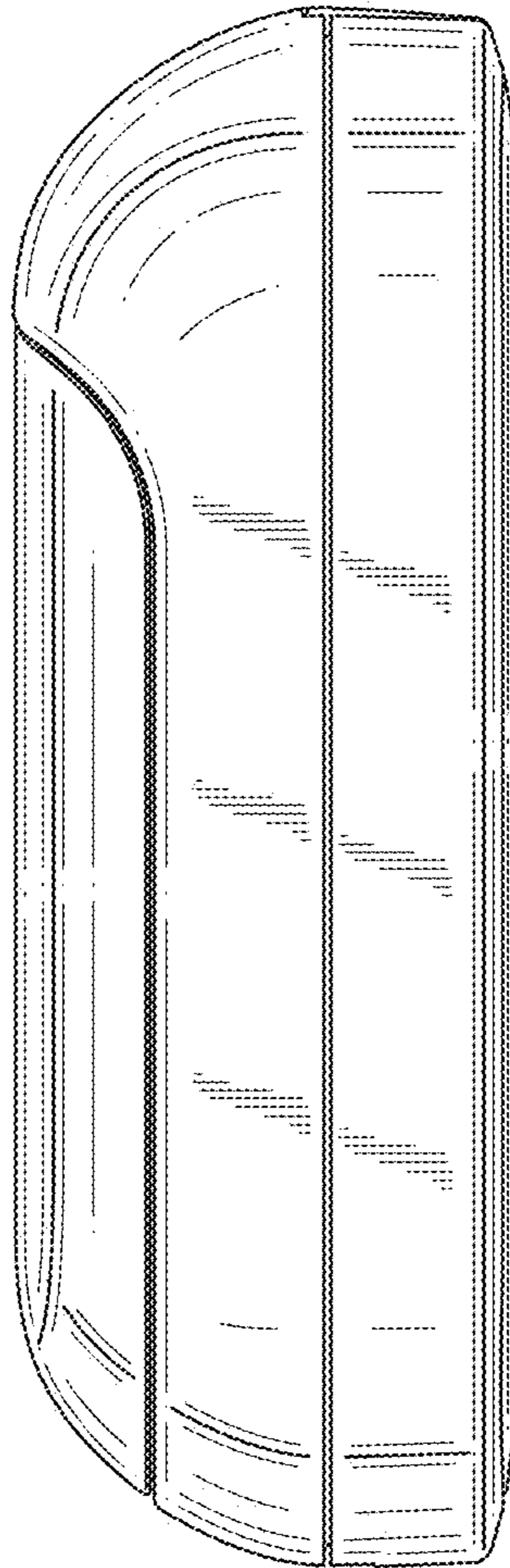




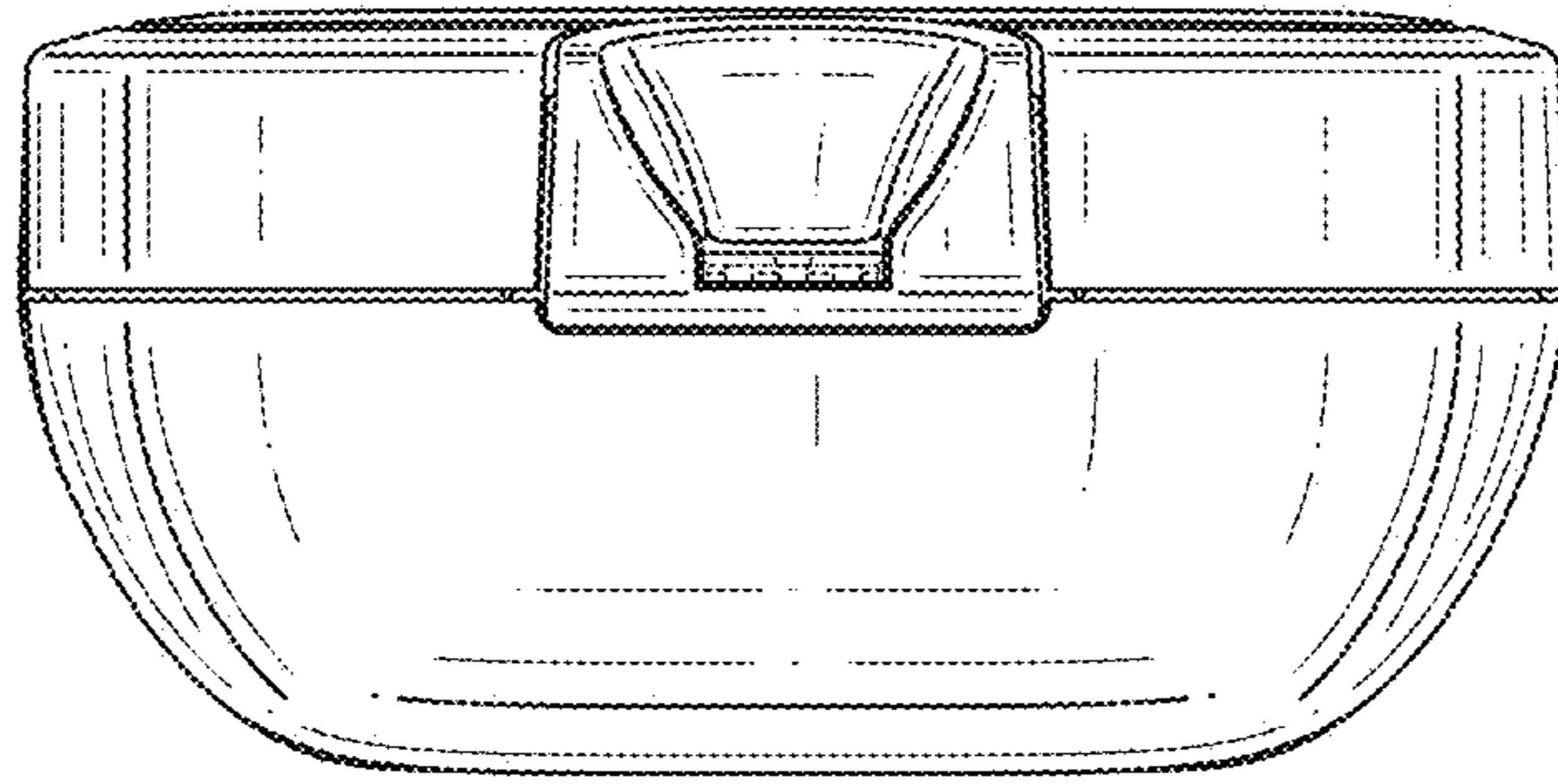
**FIG. 3**



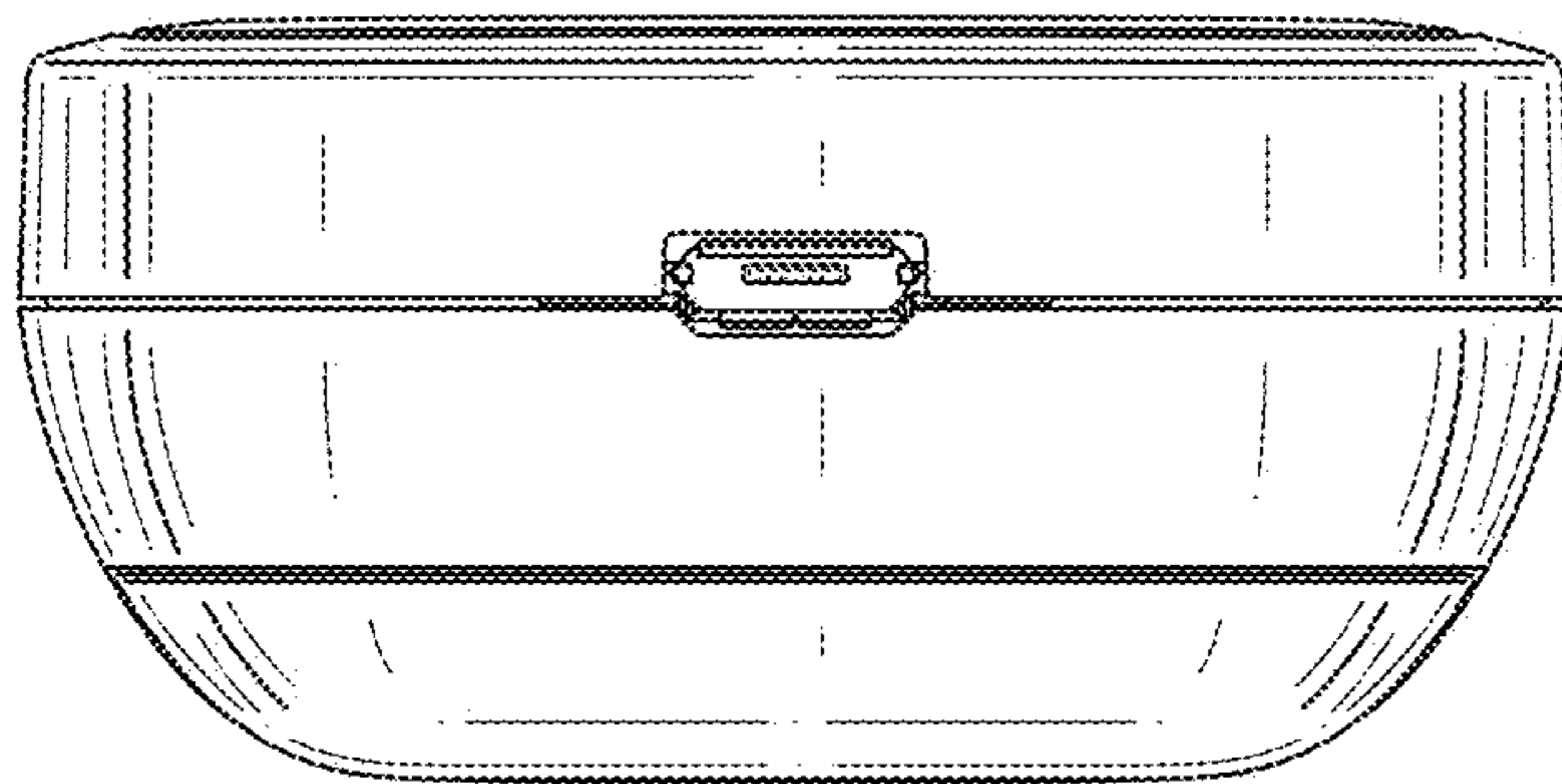
**FIG. 4**



**FIG. 5**



**FIG. 6**



**FIG. 7**