



US00D699852S

(12) **United States Design Patent**
Chung et al.

(10) **Patent No.:** **US D699,852 S**
(45) **Date of Patent:** **** Feb. 18, 2014**

(54) **ULTRASONIC DIAGNOSTIC EQUIPMENT**

(75) Inventors: **Yeon-Moo Chung**, Seoul (KR); **Jun-Pil Moon**, Seoul (KR)

(73) Assignee: **Samsung Electronics Co., Ltd.**, Suwon-si (KR)

(**) Term: **14 Years**

(21) Appl. No.: **29/431,369**

(22) Filed: **Sep. 6, 2012**

(30) **Foreign Application Priority Data**

Jun. 26, 2012 (KR) 30-2012-0031070

(51) **LOC (10) Cl.** **24-01**

(52) **U.S. Cl.**
USPC **D24/158**

(58) **Field of Classification Search**
USPC D24/158-161, 185, 186; 606/32-34;
600/1-3, 104, 437, 443, 459; 312/209,
312/223.1, 223.2, 249.12; 248/47.34, 282.1
See application file for complete search history.

(56) **References Cited**

U.S. PATENT DOCUMENTS

D387,168 S * 12/1997 Edelman et al. D24/186
D472,635 S * 4/2003 Stringer et al. D24/160
D559,390 S * 1/2008 Diener et al. D24/186

D626,238 S * 10/2010 Zinnanti D24/185
D626,239 S * 10/2010 Lia et al. D24/185
D628,299 S * 11/2010 Held D24/185
D631,970 S * 2/2011 Held D24/185
D648,855 S * 11/2011 Smith et al. D24/158
D652,936 S * 1/2012 Ross et al. D24/185
D657,470 S * 4/2012 Schon et al. D24/186
2010/0004535 A1 * 1/2010 Song et al. 600/437
2012/0289828 A1 * 11/2012 Jensen et al. 600/437

* cited by examiner

Primary Examiner — Anhdao Doan

(74) *Attorney, Agent, or Firm* — Jefferson IP Law, LLP

(57) **CLAIM**

The ornamental design for an ultrasonic diagnostic equipment, as shown and described.

DESCRIPTION

FIG. 1 is a perspective view of set for ultrasonic diagnostic equipment, showing a new design;
FIG. 2 is a front elevational view thereof;
FIG. 3 is a rear elevational view thereof;
FIG. 4 is a left side elevational view thereof;
FIG. 5 is a right side elevational view thereof;
FIG. 6 is a top plan view thereof; and,
FIG. 7 is a bottom plan view thereof.

The broken lines in the drawing views are included for the purpose of illustrating portions of the ultrasonic diagnostic equipment that form no part of the claimed design.

1 Claim, 7 Drawing Sheets

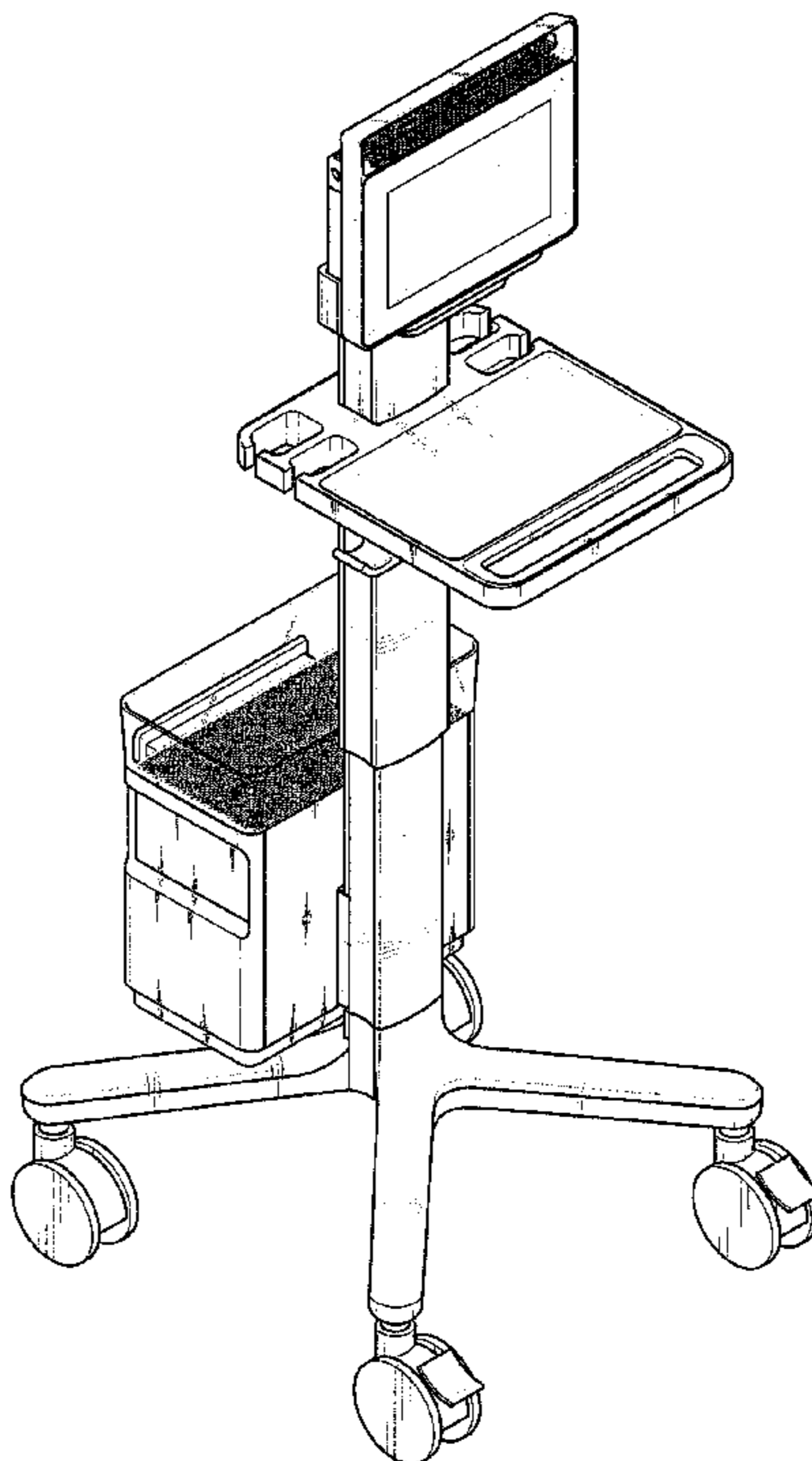


FIG. 1

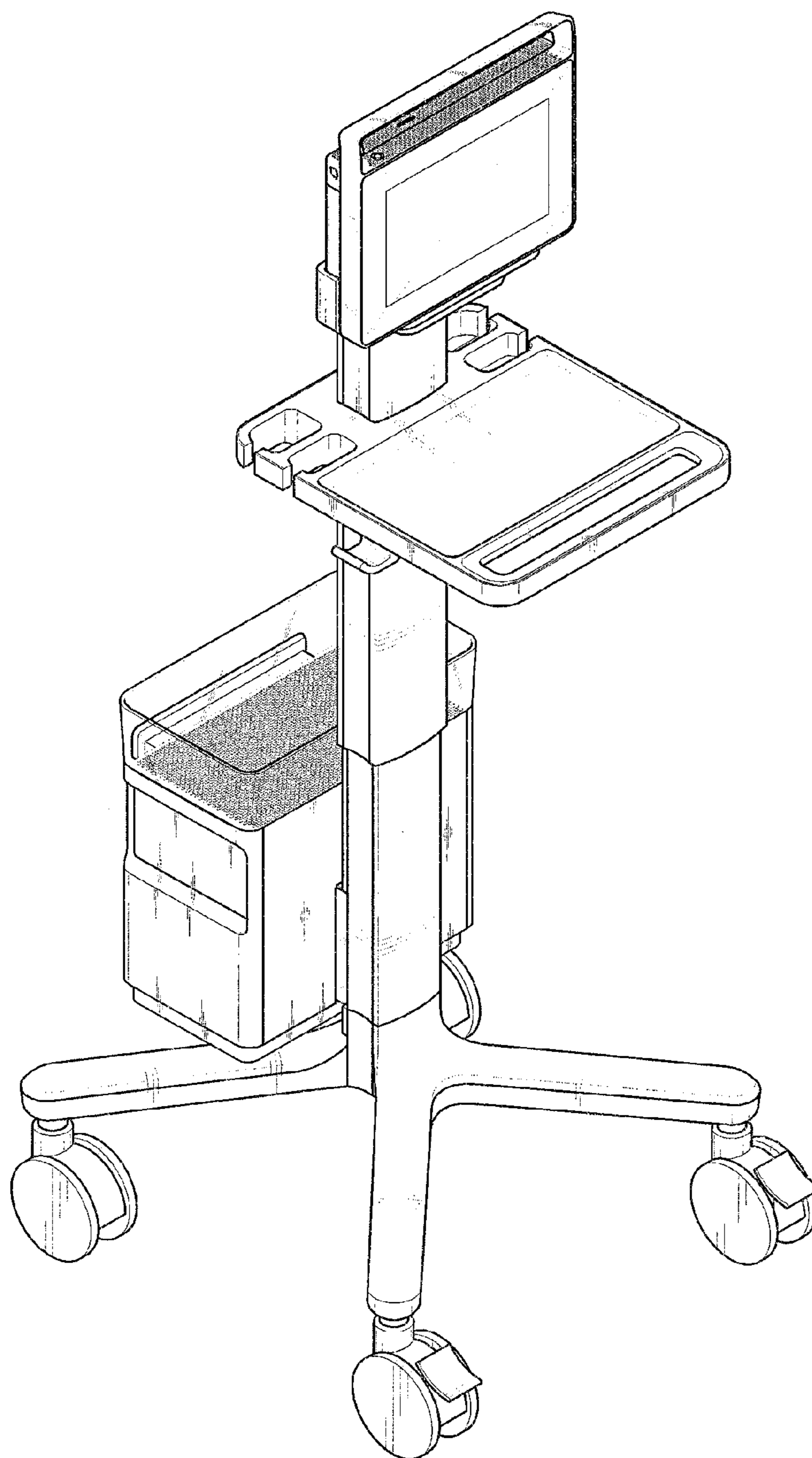


FIG. 2

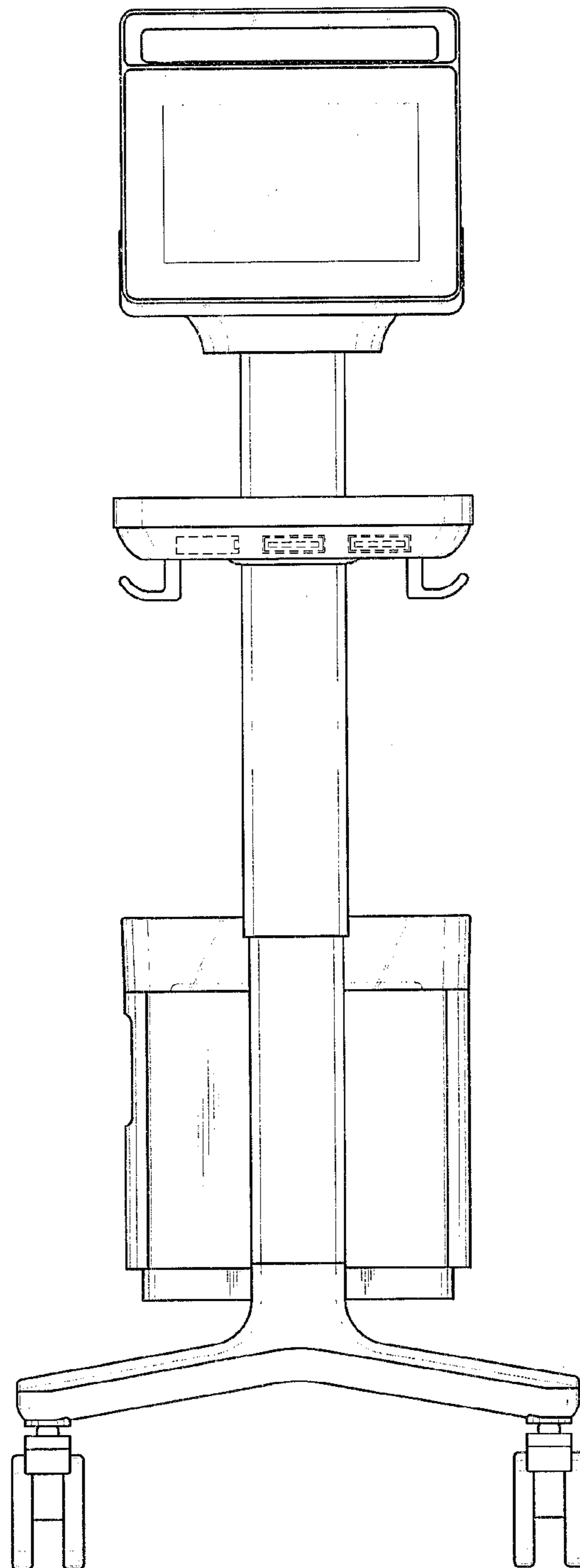


FIG. 3

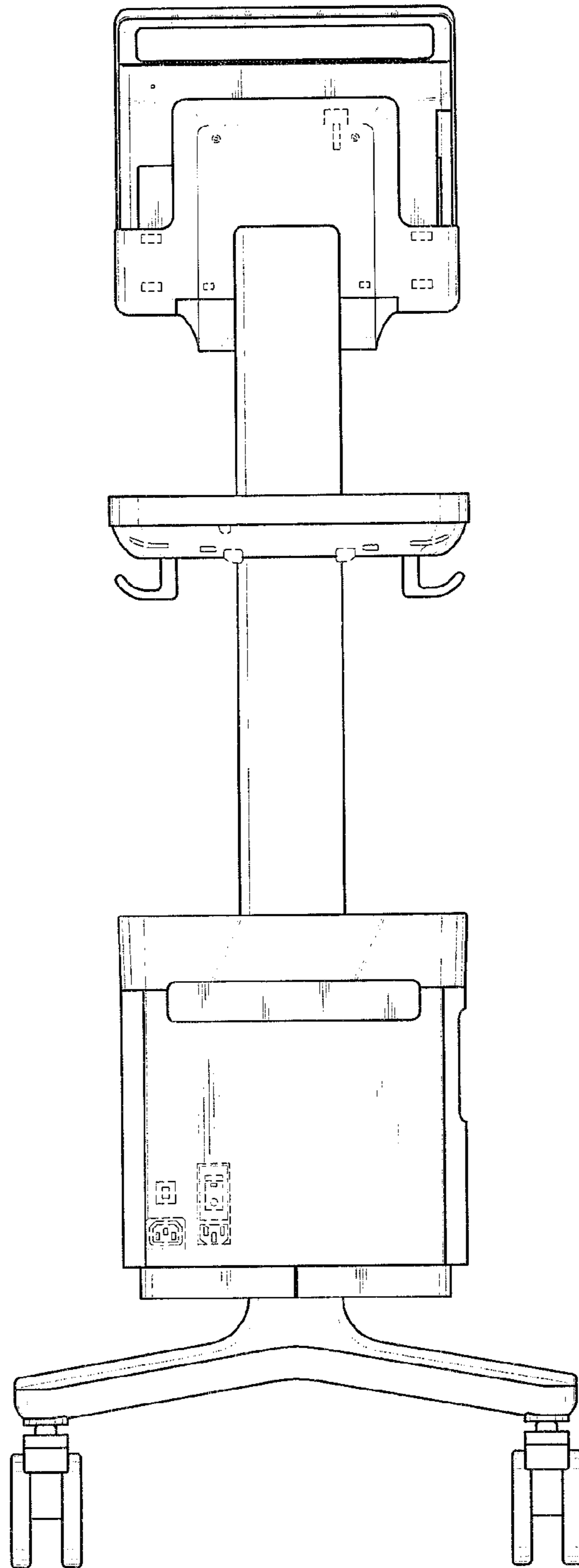


FIG. 4

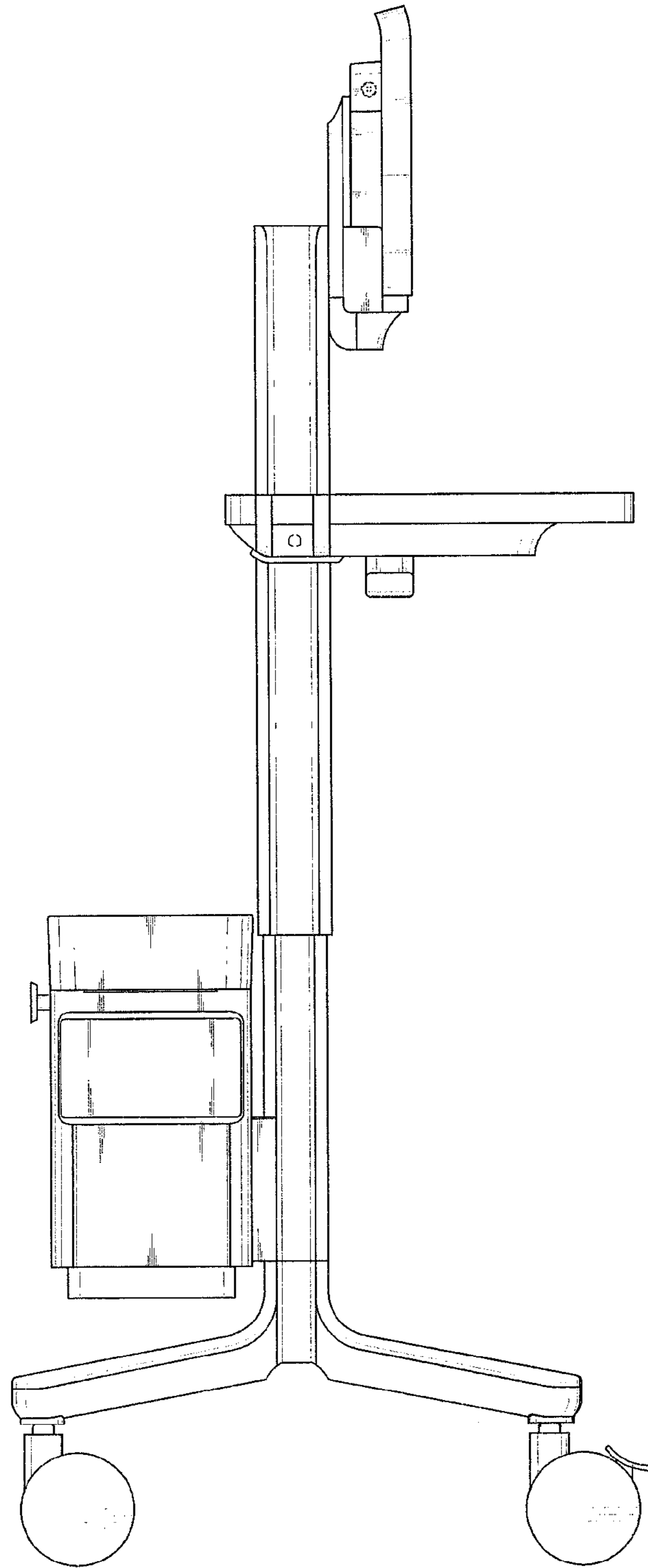


FIG. 5

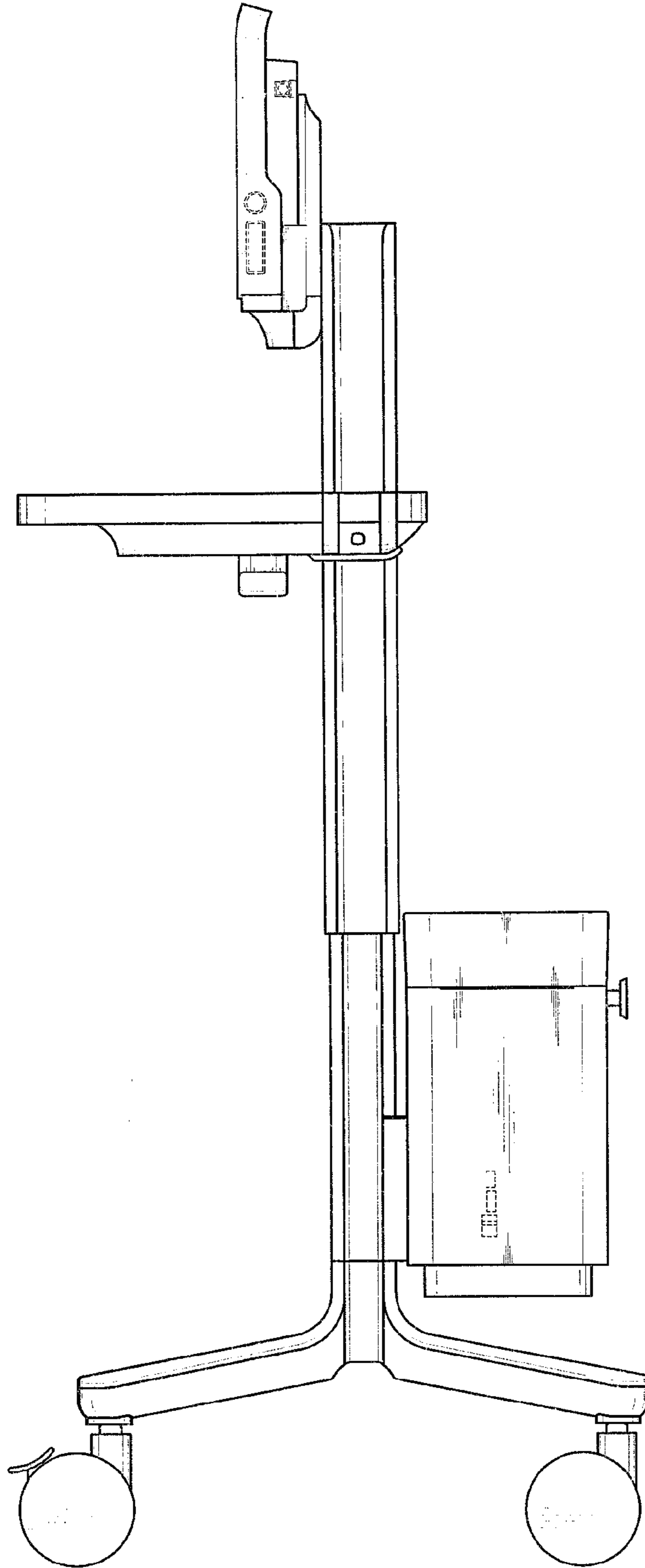


FIG. 6

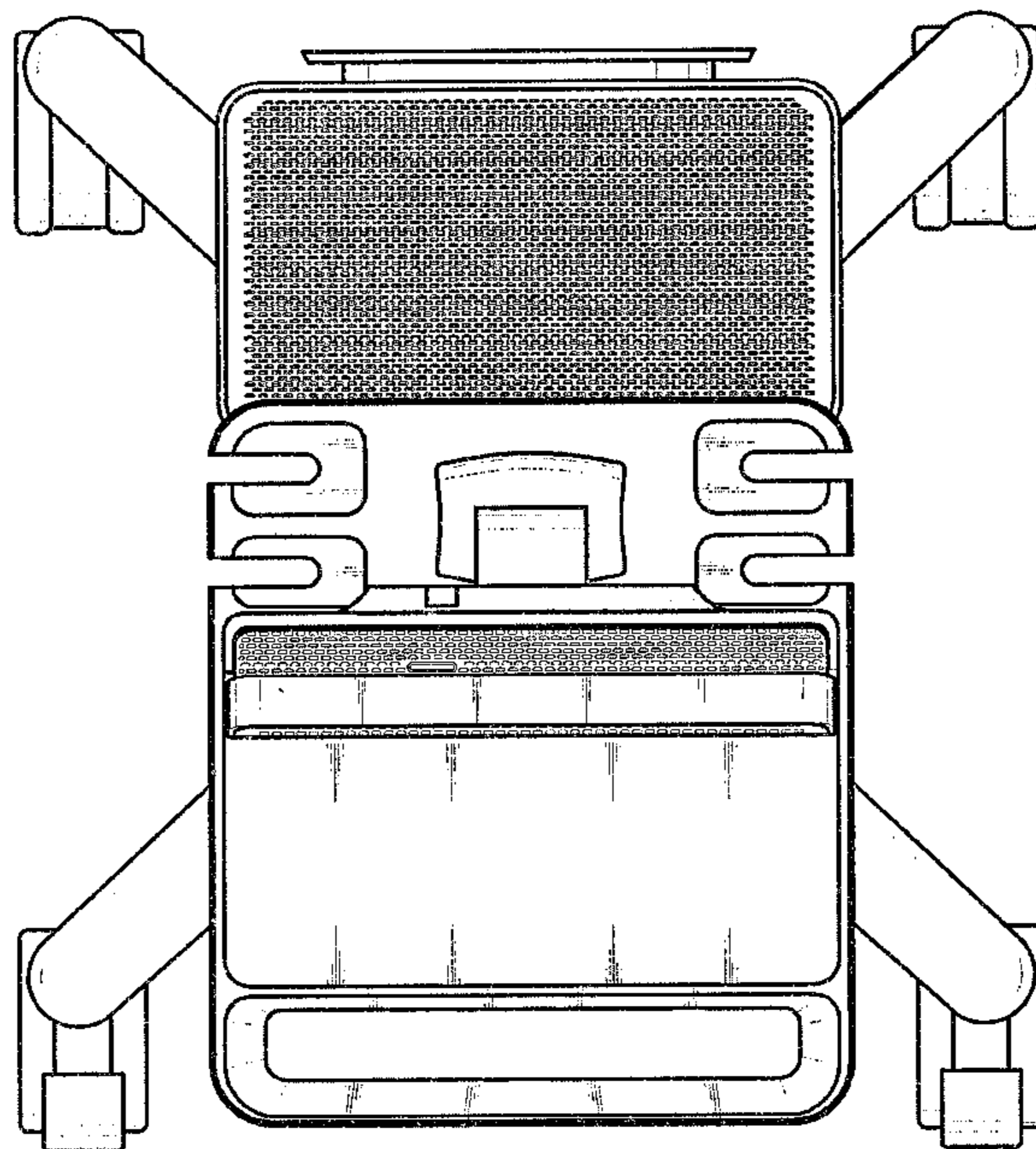


FIG. 7

