



US00D699849S

(12) **United States Design Patent**
Meswania et al.

(10) **Patent No.:** **US D699,849 S**

(45) **Date of Patent:** **** Feb. 18, 2014**

(54) **PROSTHETIC JOINT COLLAR**

(71) Applicants: **Jay Meswania**, Hertfordshire (GB);
Paul Unwin, Hertfordshire (GB)

(72) Inventors: **Jay Meswania**, Hertfordshire (GB);
Paul Unwin, Hertfordshire (GB)

(73) Assignee: **Stanmore Implants Worldwide Limited**, Elstree, Herts (GB)

(**) Term: **14 Years**

(21) Appl. No.: **29/444,849**

(22) Filed: **Feb. 5, 2013**

Related U.S. Application Data

(60) Division of application No. 29/365,587, filed on Jul. 12, 2010, now Pat. No. Des. 685,911, which is a division of application No. 29/338,256, filed on Jun. 8, 2009, now Pat. No. Des. 621,510, which is a continuation-in-part of application No. 11/981,394, filed on Oct. 31, 2007, now Pat. No. 8,021,433, which is a continuation-in-part of application No. 11/433,953, filed on May 15, 2006, now Pat. No. 7,662,189, which is a continuation of application No. 10/450,559, filed on Jun. 12, 2003, now Pat. No. 7,044,976.

(30) **Foreign Application Priority Data**

Dec. 15, 2000 (GB) 0030643.1
Dec. 7, 2001 (WO) PCT/GB01/05456

(51) **LOC (10) Cl.** **24-02**

(52) **U.S. Cl.**
USPC **D24/155**

(58) **Field of Classification Search**

USPC D24/155, 156, 133; 606/60, 61, 73, 95,
606/213, 245, 248, 249; 623/17.11-17.16,
623/23.61, 23.56, 247, 213, 623, 45, 11.11,
623/20.23, 20.33, 33, 41

See application file for complete search history.

(56) **References Cited**

U.S. PATENT DOCUMENTS

4,032,994 A *	7/1977	Frey	623/22.45
D286,181 S *	10/1986	Kenna	D24/155
5,326,311 A *	7/1994	Persoon et al.	452/184
5,800,556 A *	9/1998	Sanders et al.	623/22.45
D493,224 S *	7/2004	Cosgrove	D24/155
D503,802 S *	4/2005	Bjarnason	D24/155
D581,536 S *	11/2008	Meswania	D24/155
D621,510 S *	8/2010	Meswania et al.	D24/155
D685,911 S *	7/2013	Meswania et al.	D24/155

* cited by examiner

Primary Examiner — Ian Simmons

Assistant Examiner — Charles Hanson

(74) *Attorney, Agent, or Firm* — Galgano & Associates, PLLC; Thomas M. Galgano; Jessica G. Bower

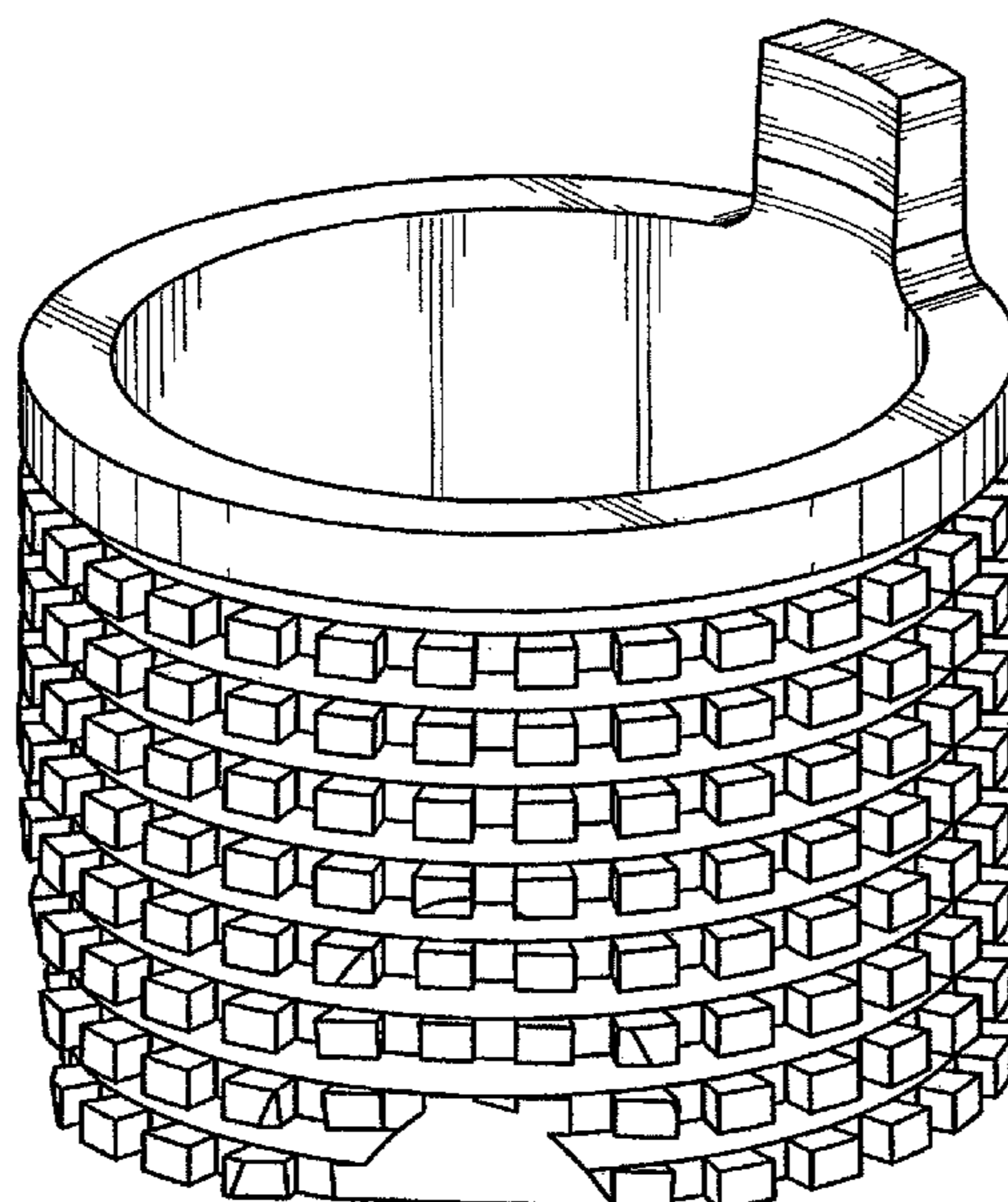
(57) **CLAIM**

The ornamental design for a prosthetic joint collar, as shown and described.

DESCRIPTION

FIG. 1 is a perspective view of a prosthetic joint collar showing our new design;
FIG. 2 is a side elevational view thereof;
FIG. 3 is a top plan view thereof; and,
FIG. 4 is a bottom plan view thereof.

1 Claim, 4 Drawing Sheets



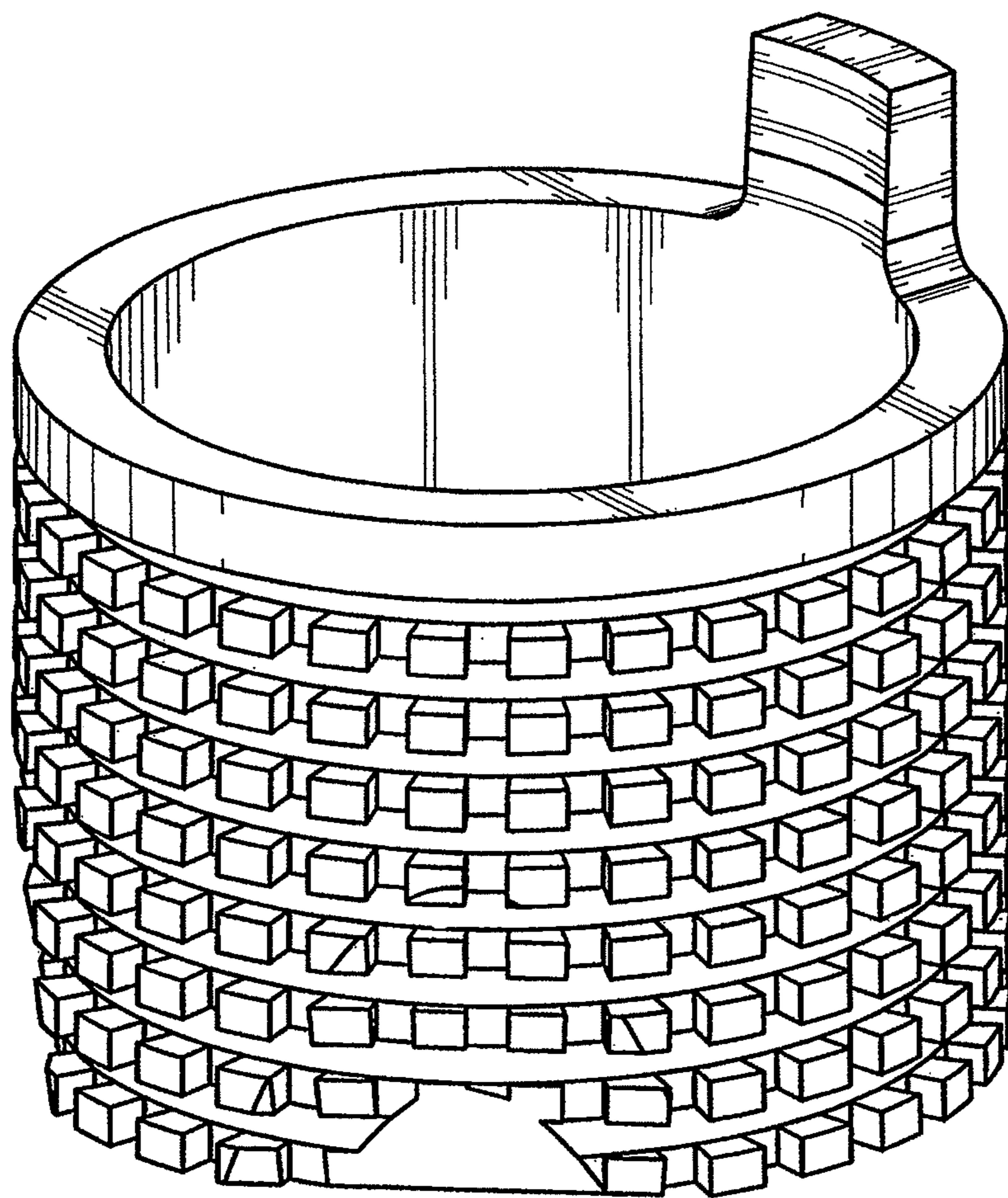


FIG. 1

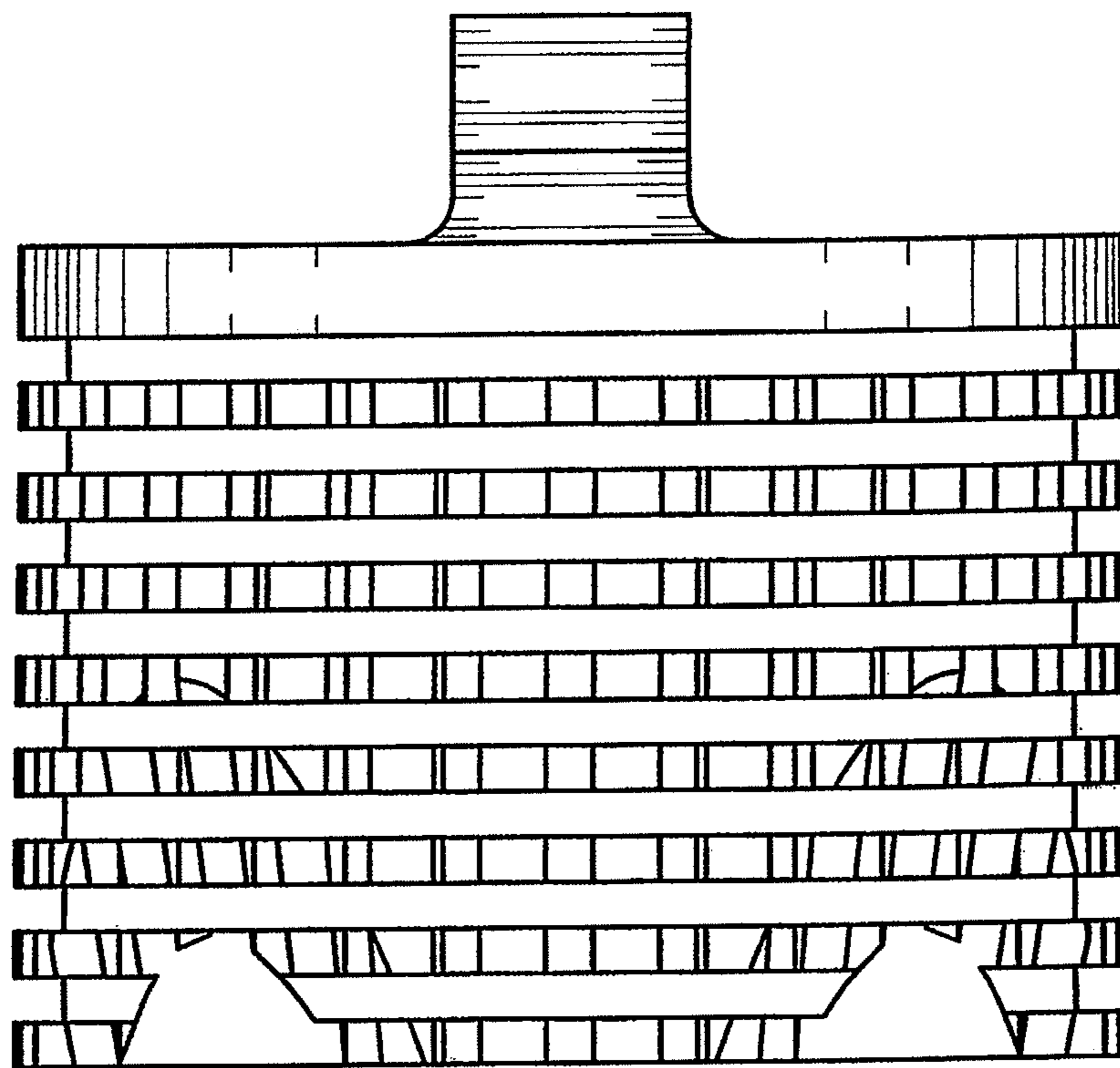


FIG. 2

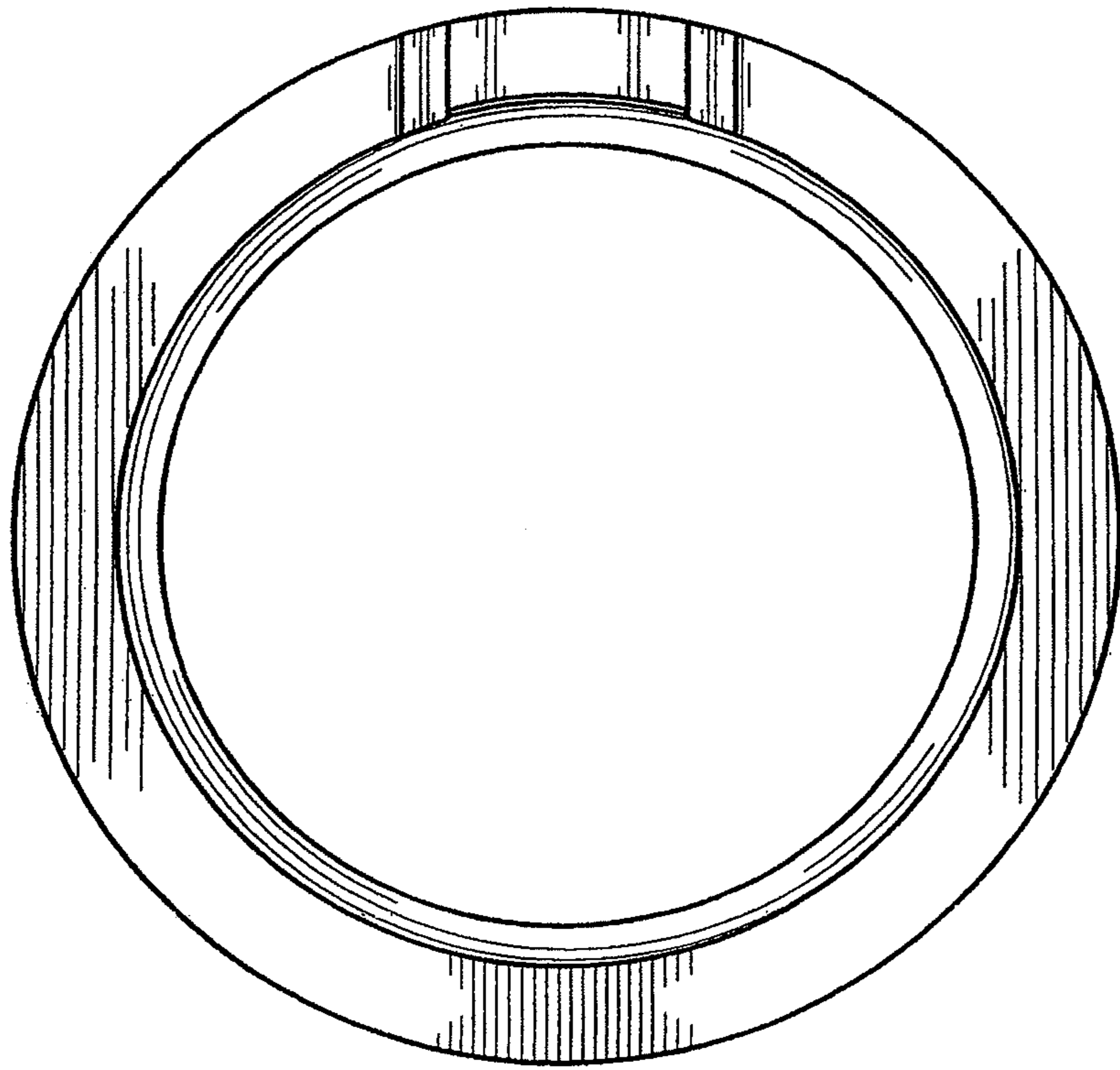


FIG. 3

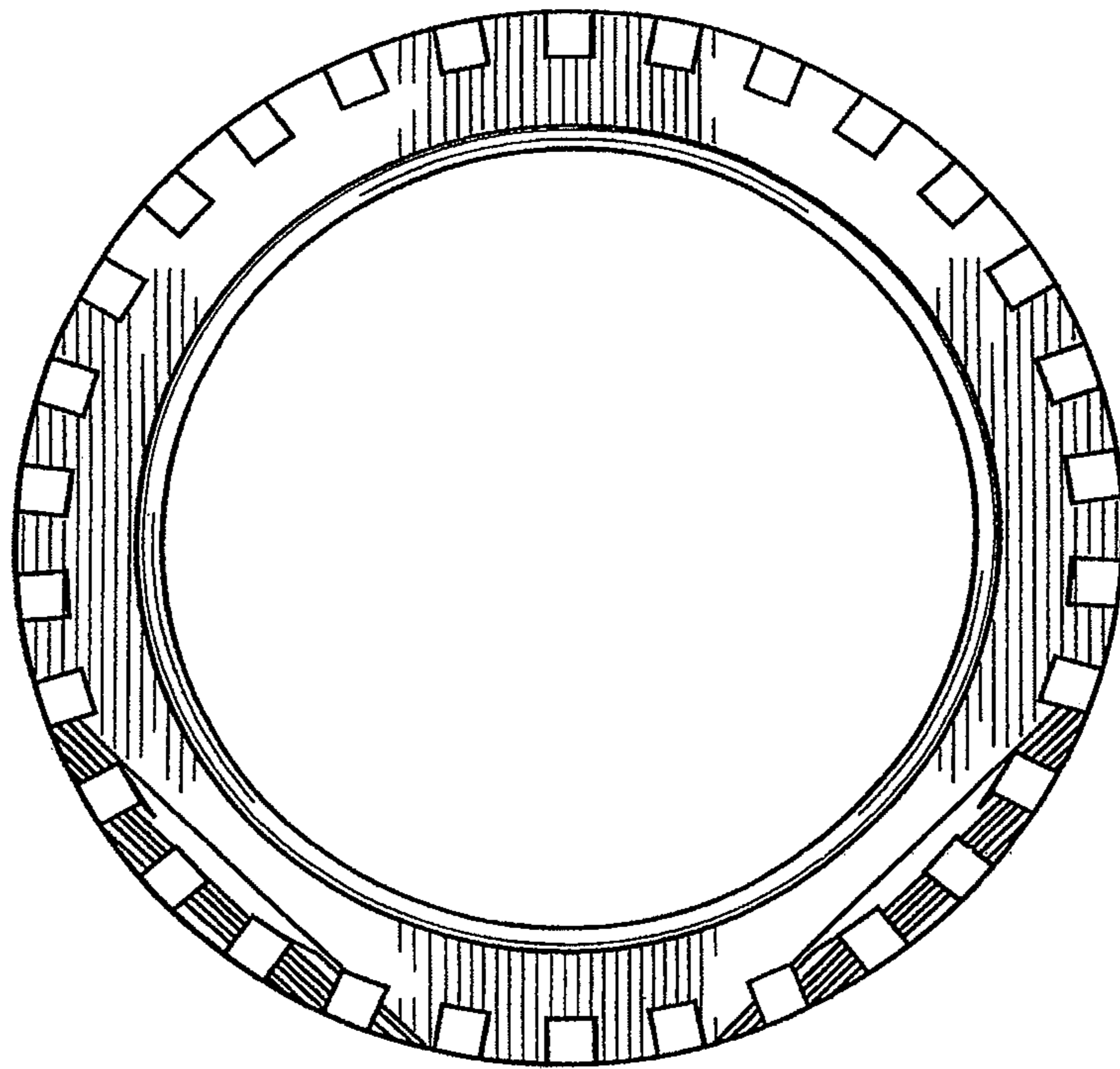


FIG. 4