



US00D699846S

(12) **United States Design Patent**
Leroy et al.

(10) **Patent No.:** **US D699,846 S**

(45) **Date of Patent:** **** Feb. 18, 2014**

(54) **UPPER RING OF LAPAROSCOPIC PORT SYSTEM**

(71) Applicants: **Joel Leroy**, Bouvigny-Boyeffles (FR);
Michael Sauer, Tuttlingen (DE);
Sebastian Wagner, Bretten (DE);
Thomas Weishaupt, Sigmaringen (DE);
Daniela Wiest, Stokach (DE)

(72) Inventors: **Joel Leroy**, Bouvigny-Boyeffles (FR);
Michael Sauer, Tuttlingen (DE);
Sebastian Wagner, Bretten (DE);
Thomas Weishaupt, Sigmaringen (DE);
Daniela Wiest, Stokach (DE)

(73) Assignee: **KARL STORZ GmbH & Co. KG**,
Tuttlingen (DE)

(**) Term: **14 Years**

(21) Appl. No.: **29/439,541**

(22) Filed: **Dec. 12, 2012**

(30) **Foreign Application Priority Data**

Jun. 12, 2012 (EM) 002055913-0009

(51) **LOC (10) Cl.** **24-02**

(52) **U.S. Cl.**
USPC **D24/144; D24/138**

(58) **Field of Classification Search**
USPC D24/144, 127, 129, 133, 138, 146-147;
600/204, 213; 604/533, 167.03,
604/167.04, 167.05, 167.06, 175, 249, 264
See application file for complete search history.

(56) **References Cited**

U.S. PATENT DOCUMENTS

D271,618 S *	11/1983	Nishigaki	D24/138
D434,148 S *	11/2000	Sauer et al.	D24/146
6,945,983 B2 *	9/2005	Dittrich et al.	604/264
D606,193 S *	12/2009	Oberlaender et al.	D24/146
D664,647 S *	7/2012	Becker	D24/133
D666,717 S *	9/2012	Hermle	D24/138
8,475,362 B2 *	7/2013	Sohn et al.	600/204

* cited by examiner

Primary Examiner — Wan Laymon

(74) *Attorney, Agent, or Firm* — Muncy, Geissler, Olds & Lowe, PLLC

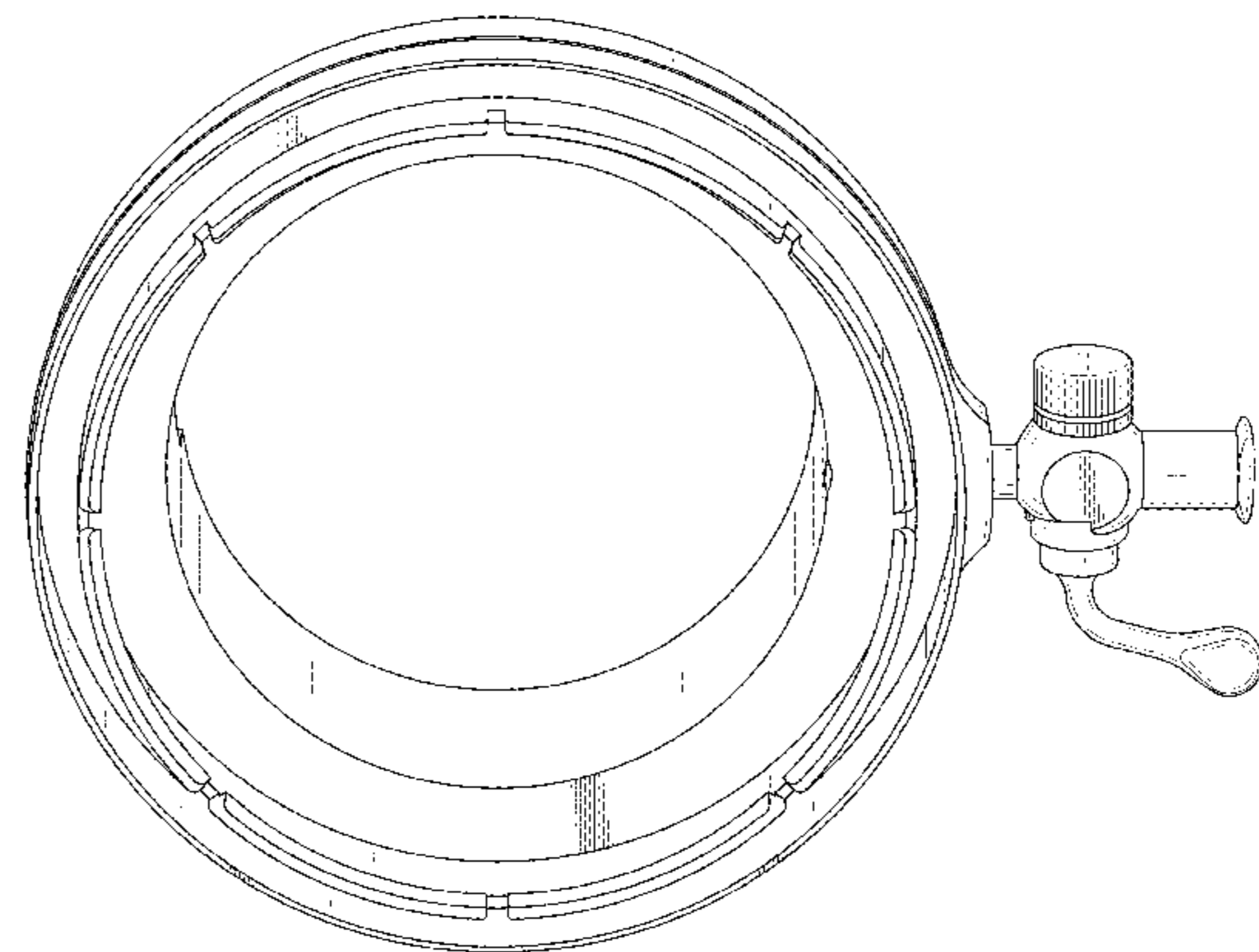
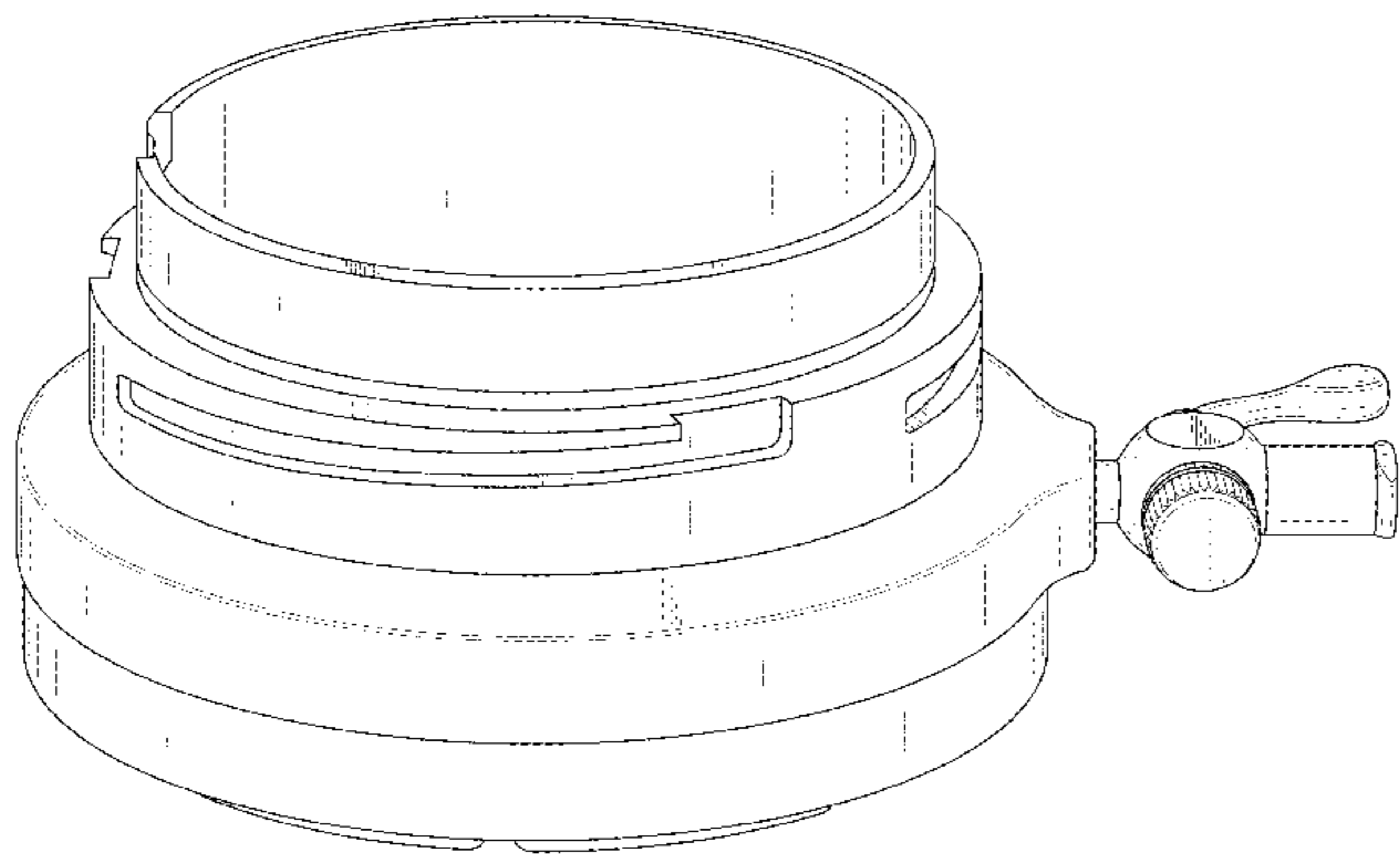
(57) **CLAIM**

The ornamental design for an upper ring of laparoscopic port system, as shown and described.

DESCRIPTION

FIG. 1 is a left side perspective view of the upper ring of laparoscopic port system of the present invention. FIG. 2 is a right side perspective view of the upper ring of laparoscopic port system of FIG. 1. FIG. 3 is a front perspective view of the upper ring of laparoscopic port system of FIG. 1. FIG. 4 is a rear perspective view of the upper ring of laparoscopic port system of FIG. 1. FIG. 5 is a top perspective view of the upper ring of laparoscopic port system of FIG. 1. FIG. 6 is a bottom perspective view of the upper ring of laparoscopic port system of FIG. 1; and, FIG. 7 is a three quarter perspective view of the upper ring of laparoscopic port system of FIG. 1.

1 Claim, 7 Drawing Sheets



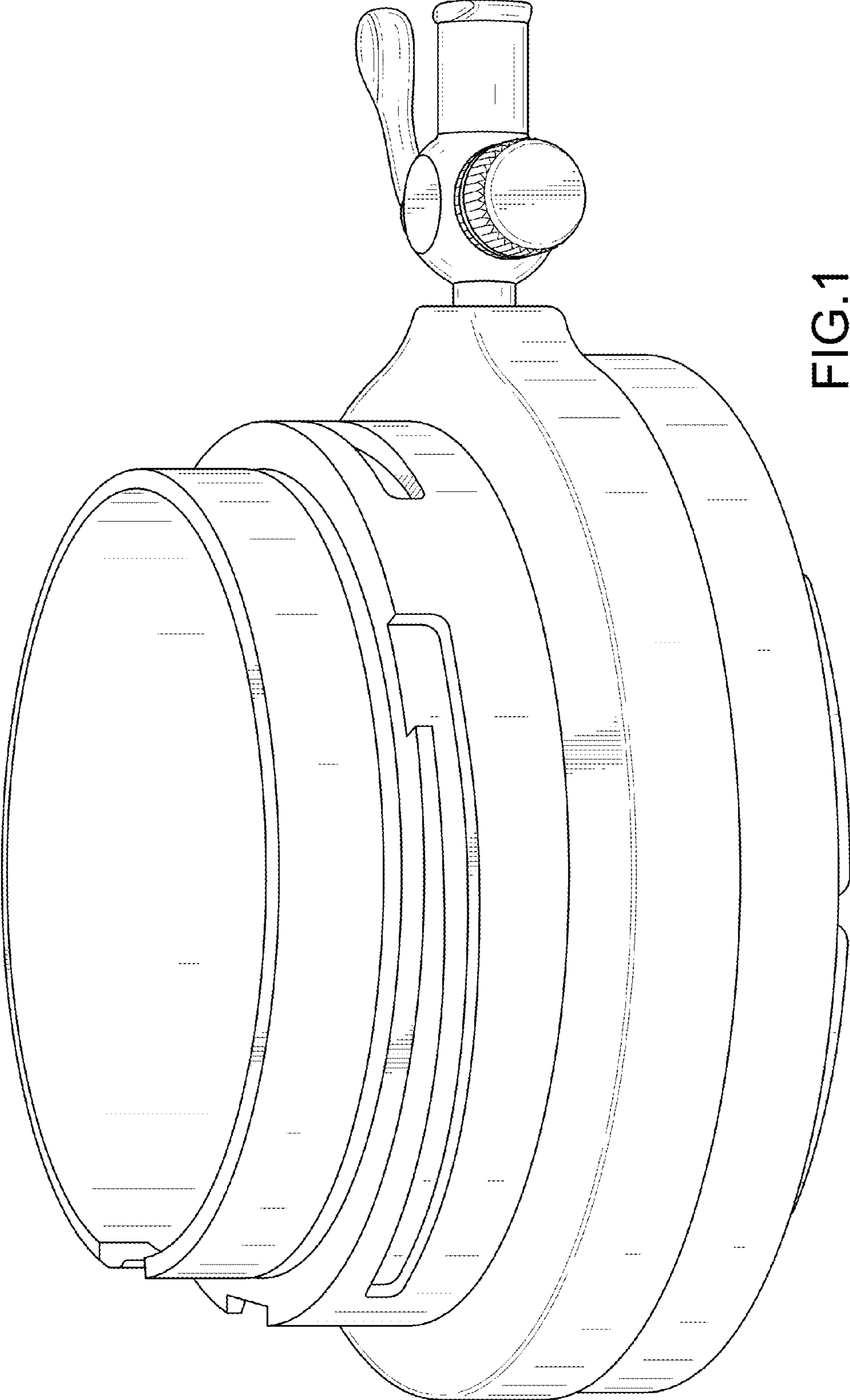


FIG.1

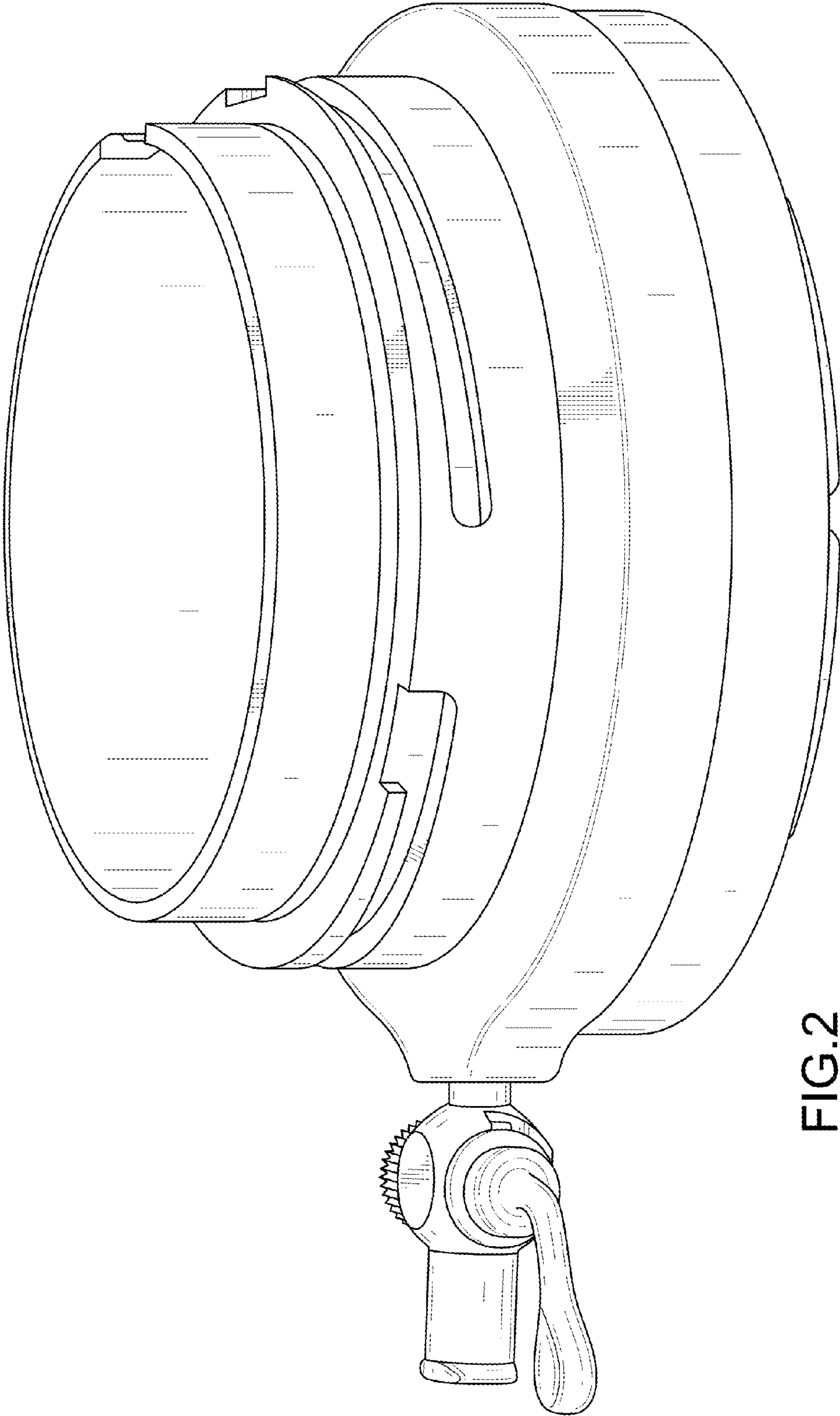


FIG.2

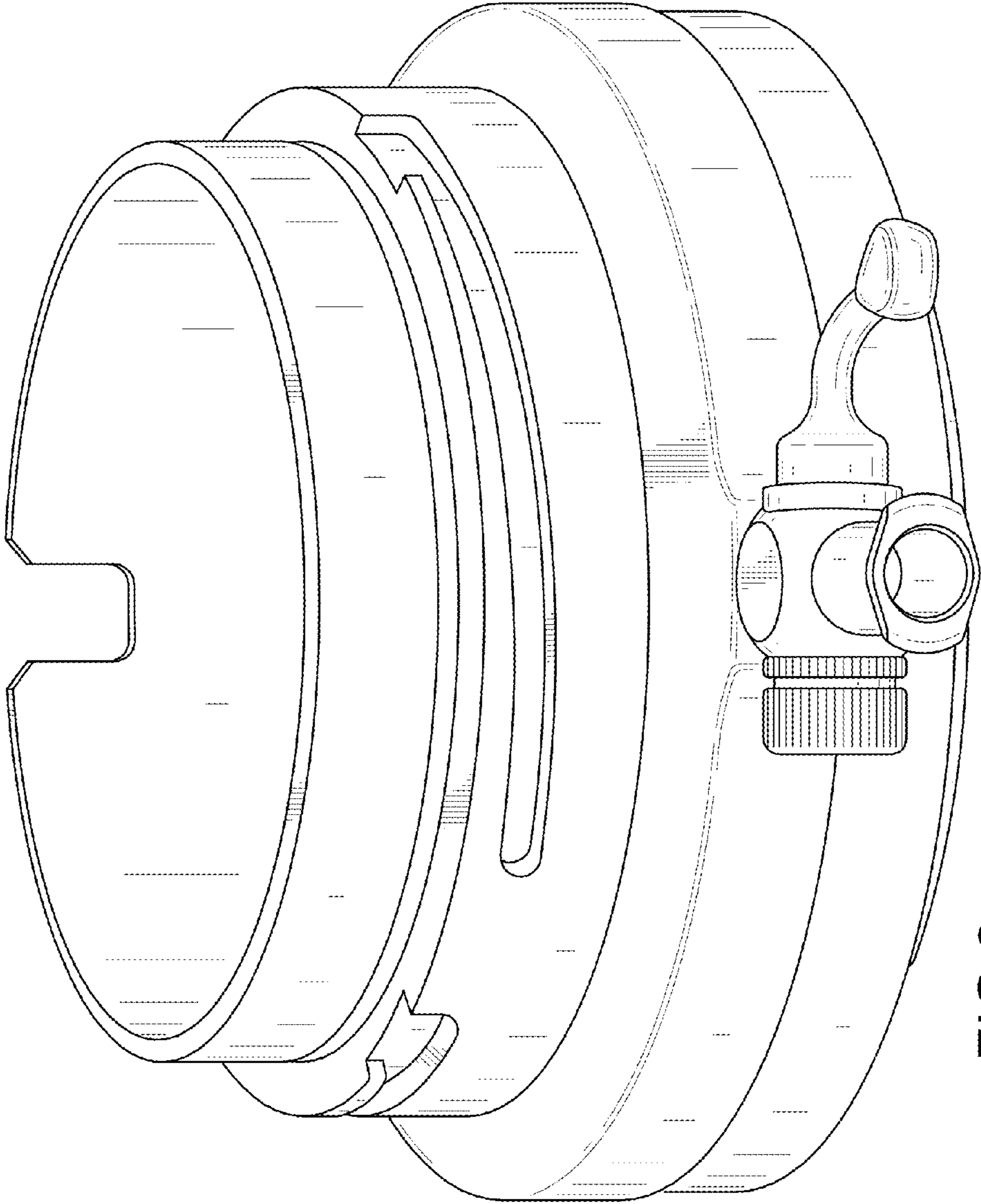


FIG.3

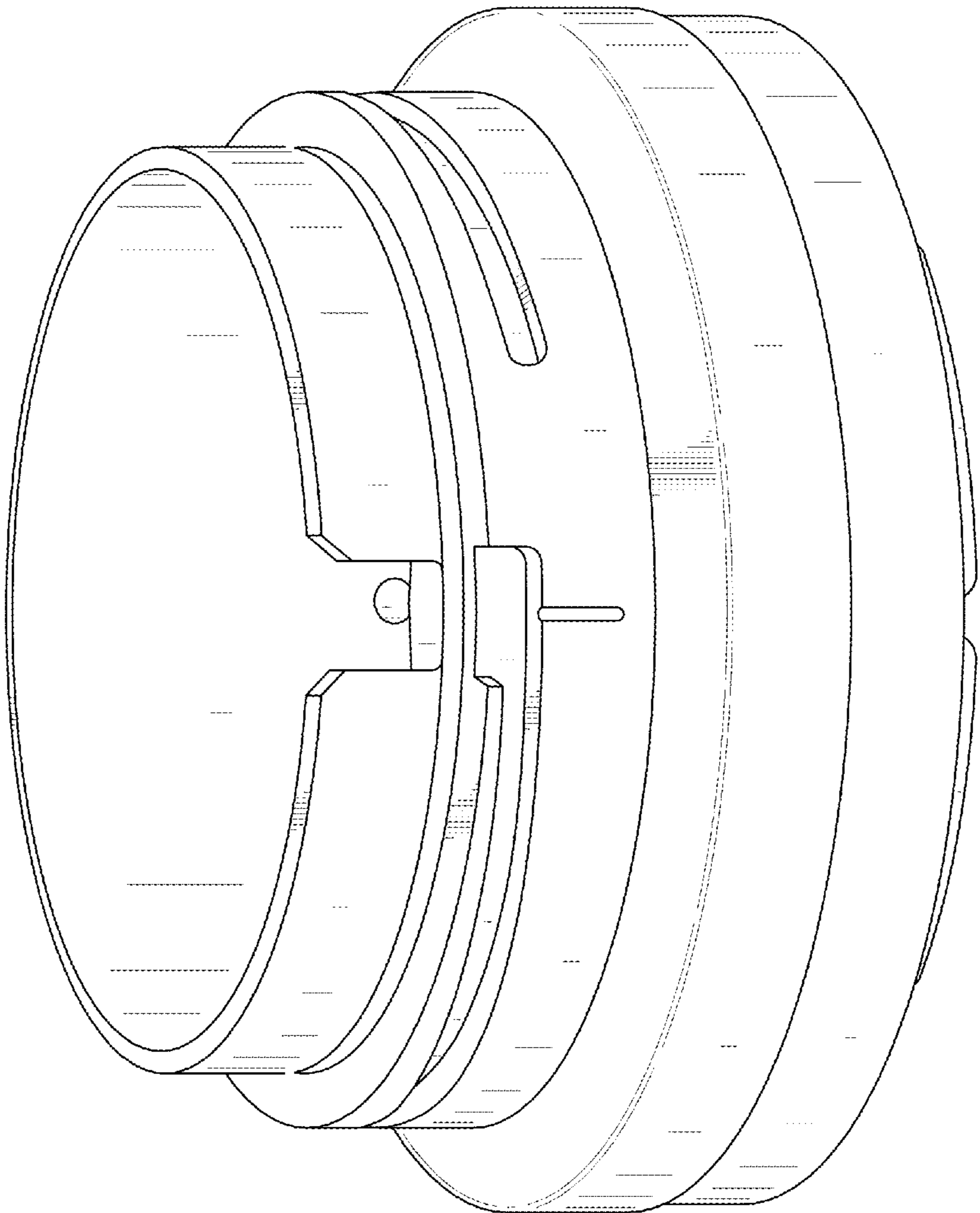


FIG.4

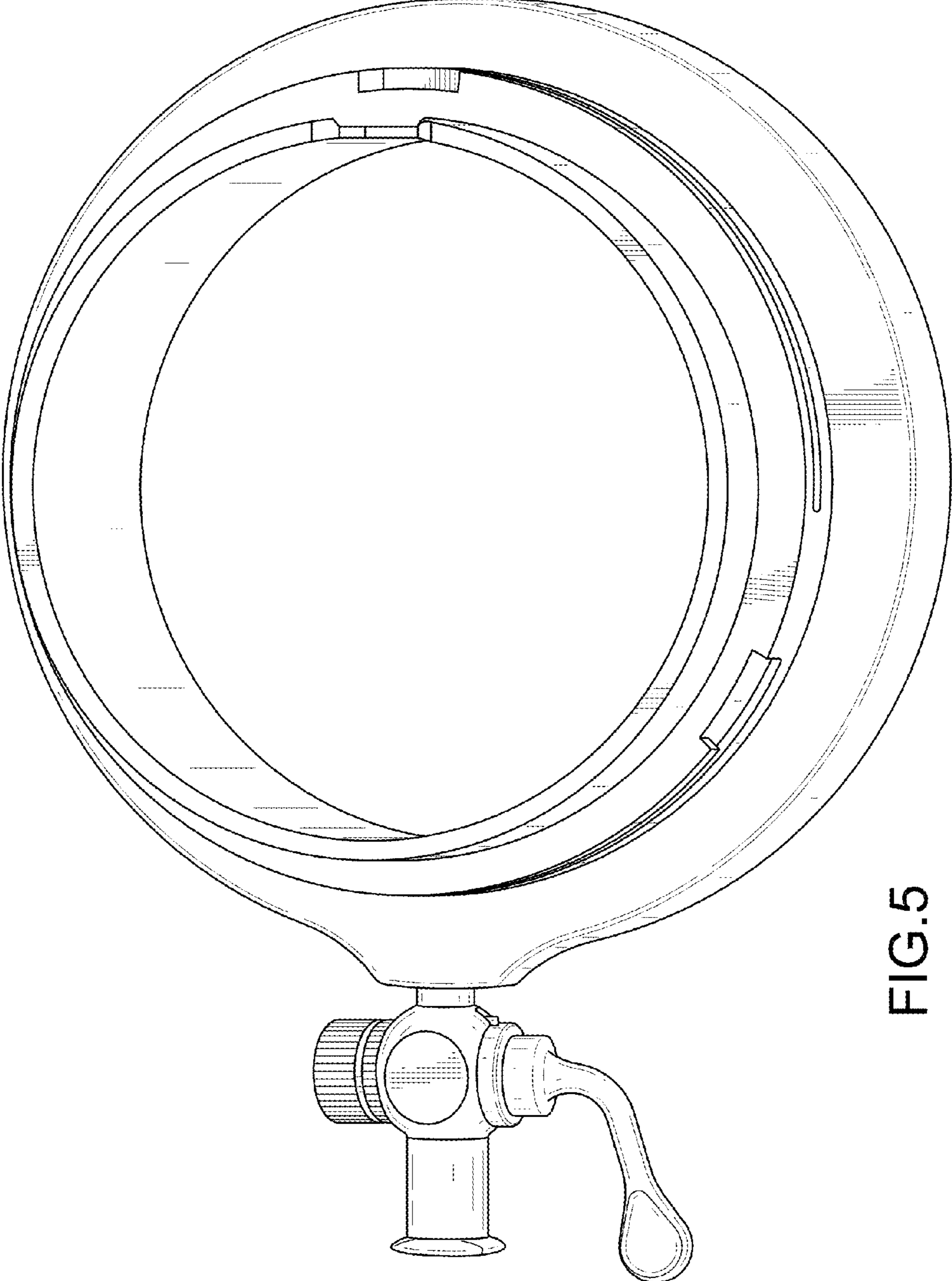


FIG.5

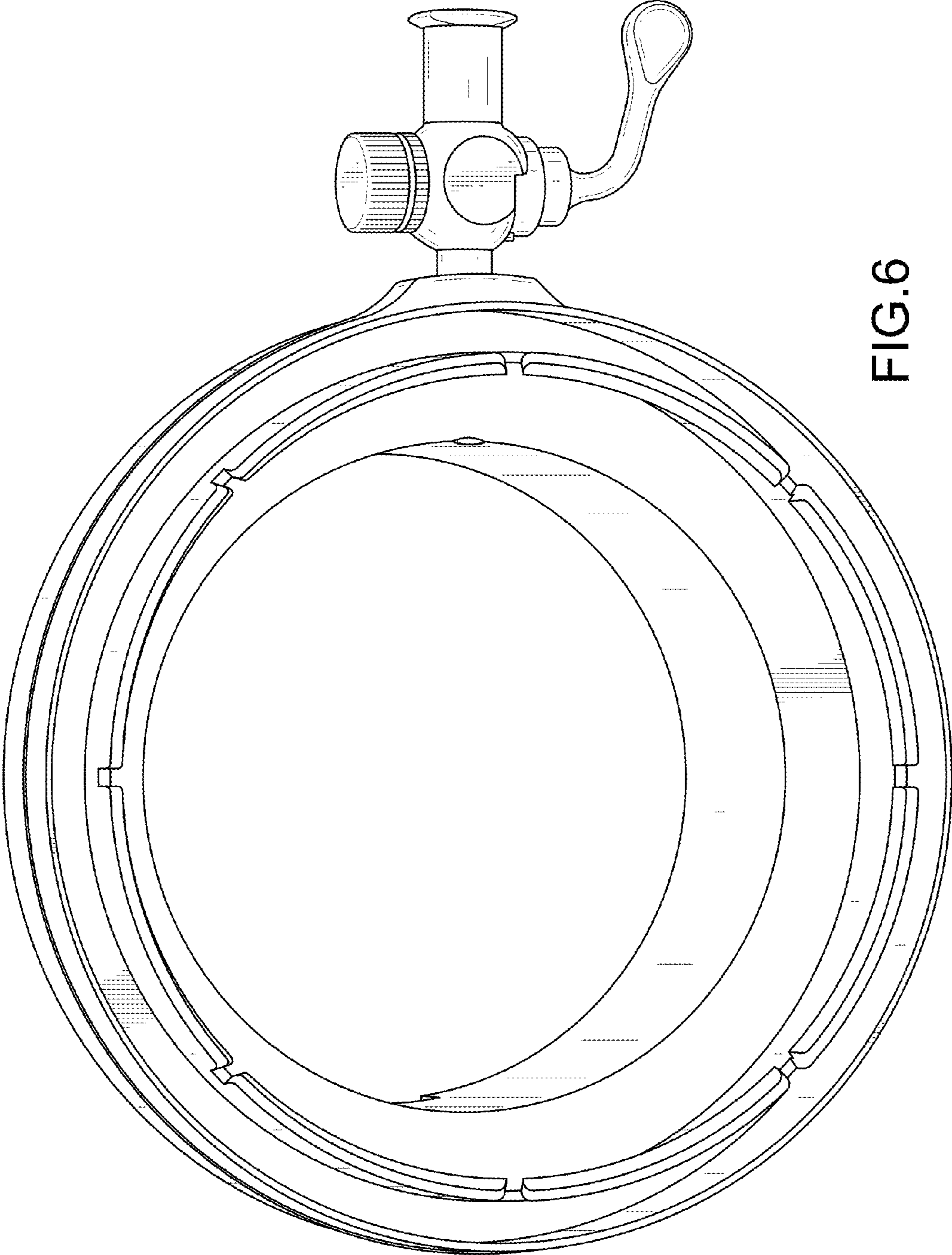


FIG.6

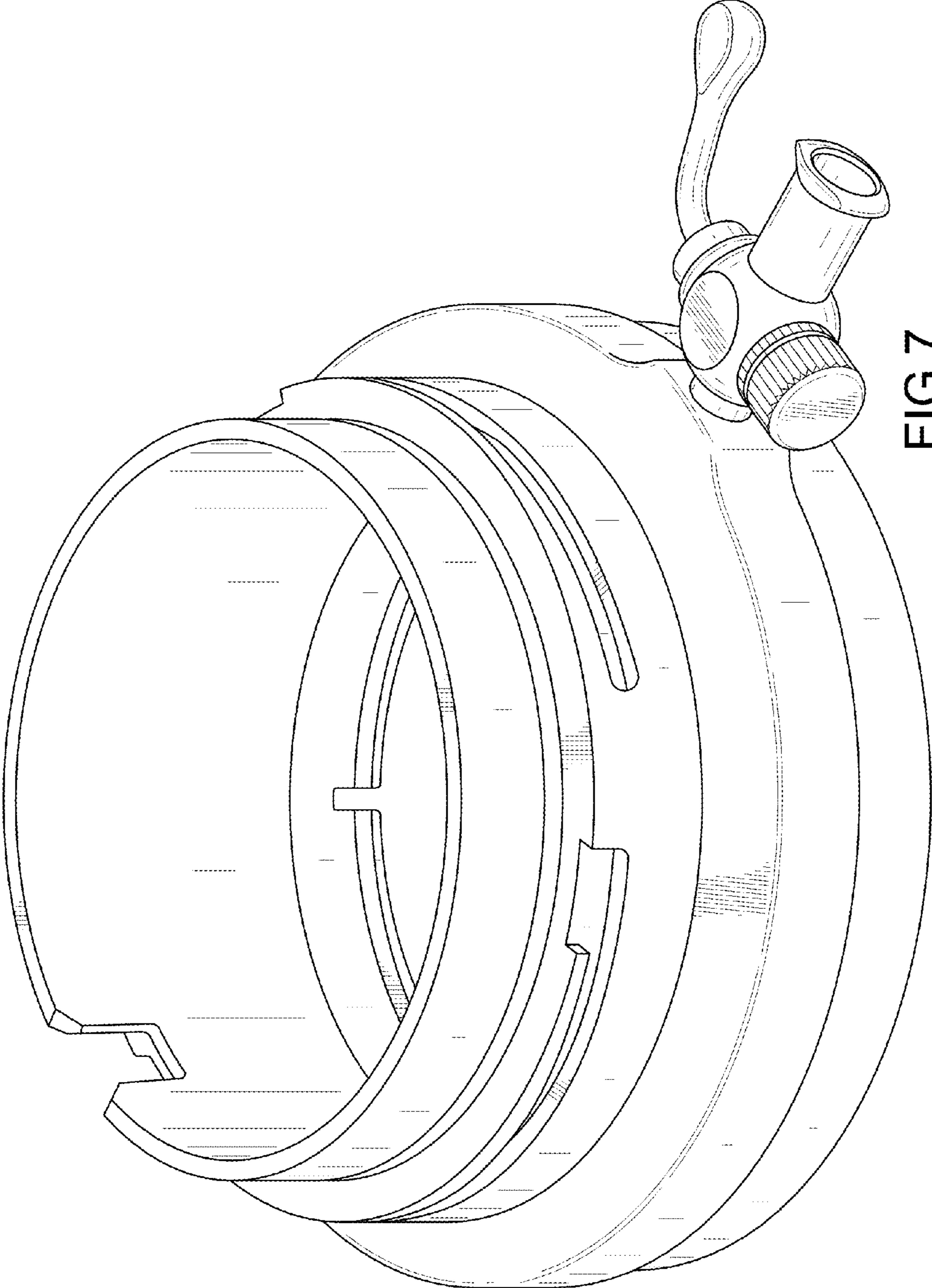


FIG.7