



US00D699845S

(12) **United States Design Patent**
Leroy et al.

(10) **Patent No.:** **US D699,845 S**
(45) **Date of Patent:** **** Feb. 18, 2014**

(54) **UPPER RING OF LAPAROSCOPIC PORT SYSTEM**

(71) Applicant: **KARL STORZ GmbH & Co. KG**,
Tuttlingen (DE)
(72) Inventors: **Joel Leroy**, Bouvigny-Boyeffles (FR);
Michael Sauer, Tuttlingen (DE);
Sebastien Wagner, Bretten (DE);
Thomas Weishaupt, Sigmaringen (DE);
Daniela Wiest, Stockach (DE)
(73) Assignee: **KARL STORZ GmbH & Co. KG**,
Tuttlingen (DE)

(**) Term: **14 Years**

(21) Appl. No.: **29/439,533**

(22) Filed: **Dec. 12, 2012**

(30) **Foreign Application Priority Data**

Jun. 12, 2012 (EM) 002055913-0007

(51) **LOC (10) Cl.** **24-02**

(52) **U.S. Cl.**
USPC **D24/144; D24/138**

(58) **Field of Classification Search**
USPC D24/144, 127, 129, 133, 138, 146-147;
600/204, 213; 604/533, 167.03,
604/167.04, 167.05, 167.06, 175, 249, 264
See application file for complete search history.

(56) **References Cited**

U.S. PATENT DOCUMENTS

D271,618 S *	11/1983	Nishigaki	D24/138
D434,148 S *	11/2000	Sauer et al.	D24/146
6,945,983 B2 *	9/2005	Dittrich et al.	604/264
D606,193 S *	12/2009	Oberlaender et al.	D24/146
D664,647 S *	7/2012	Becker	D24/133
D666,717 S *	9/2012	Hermle	D24/138
8,475,362 B2 *	7/2013	Sohn et al.	600/204

* cited by examiner

Primary Examiner — Wan Laymon

(74) *Attorney, Agent, or Firm* — Muncy, Geissler, Olds & Lowe, PLLC

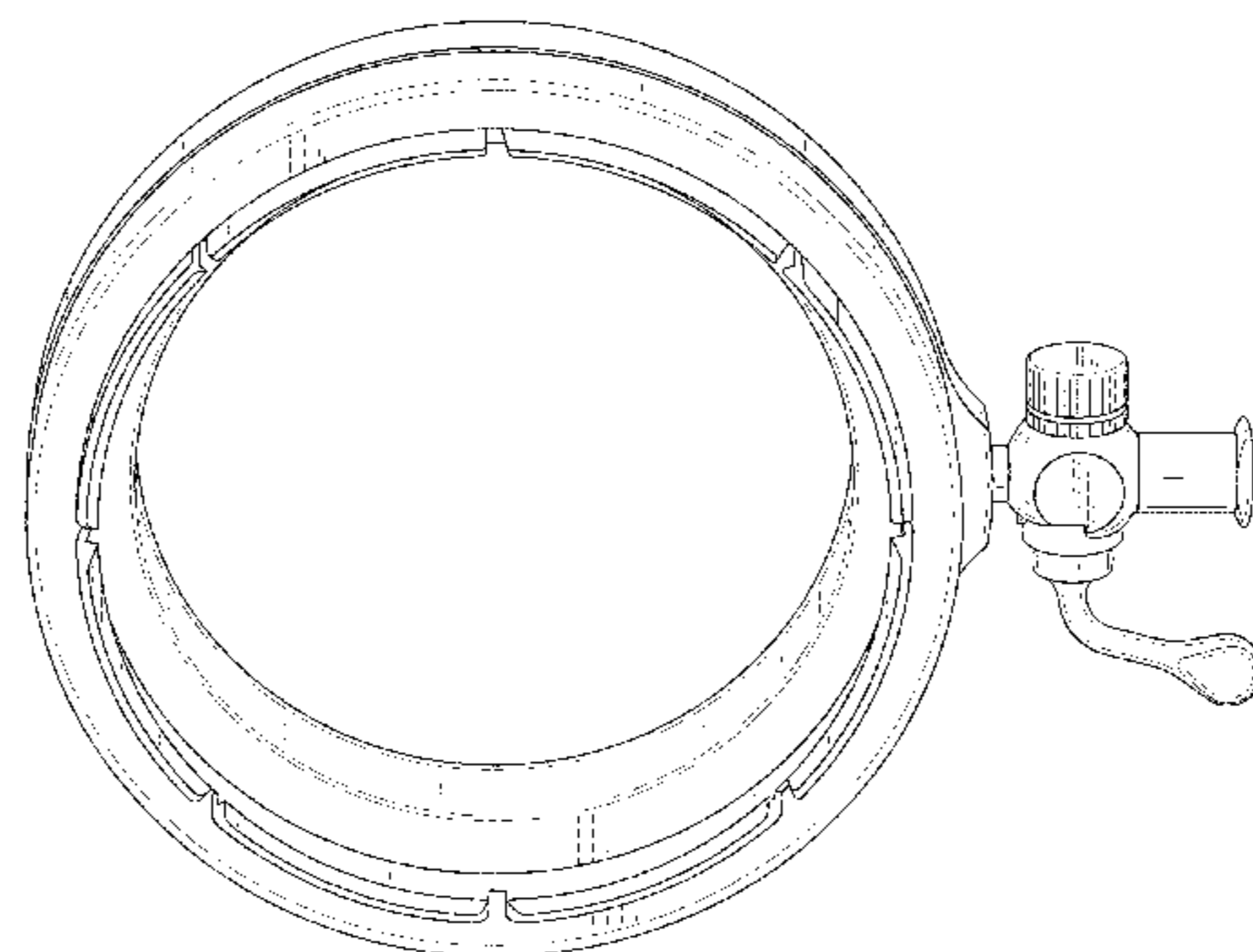
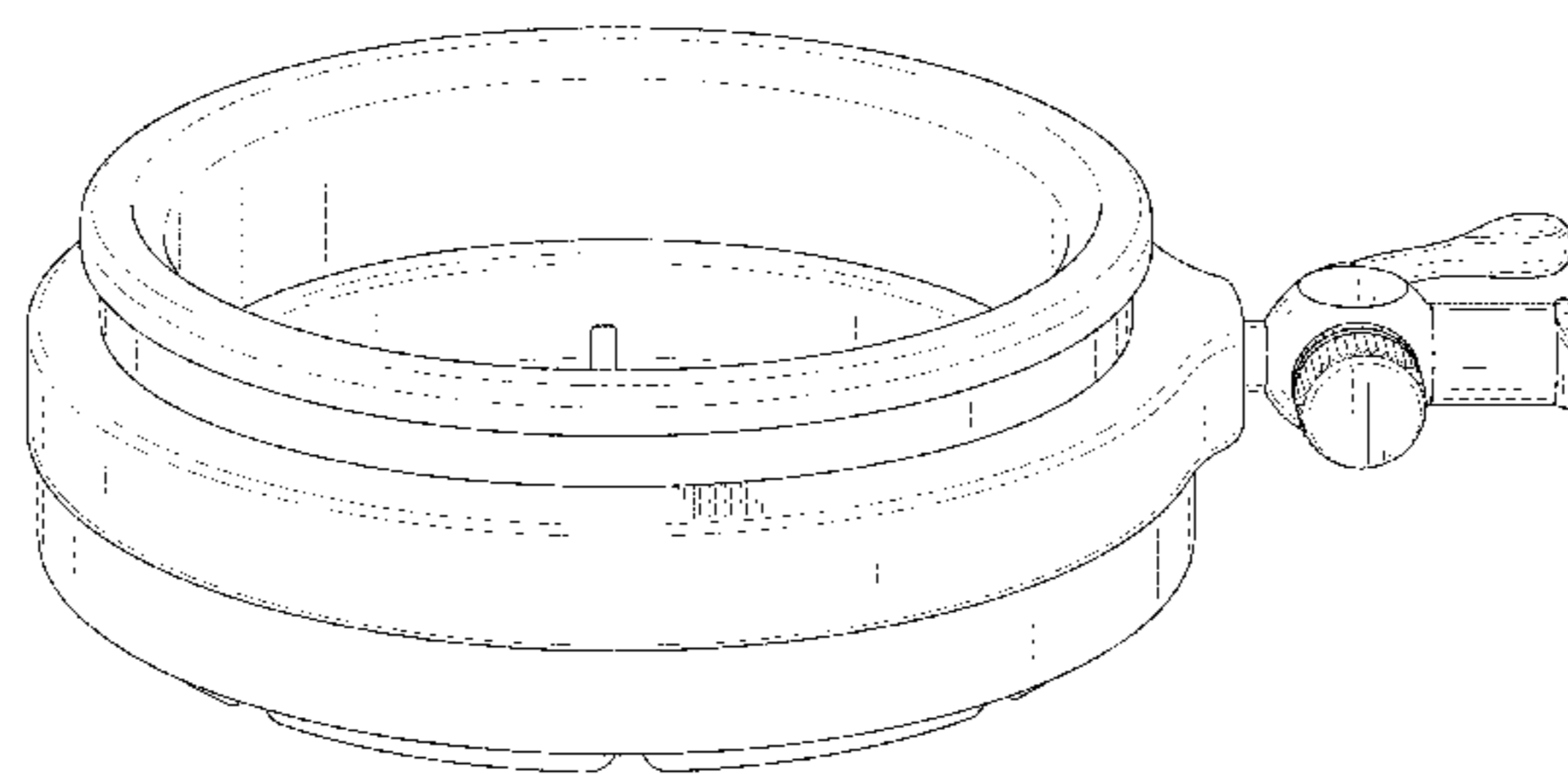
(57) **CLAIM**

The ornamental design for an upper ring of laparoscopic port system, as shown and described.

DESCRIPTION

FIG. 1 is a left side perspective view of the upper ring of laparoscopic port system of the present invention.
FIG. 2 is a right side perspective view of the upper ring of laparoscopic port system of FIG. 1.
FIG. 3 is a front perspective view of the upper ring of laparoscopic port system of FIG. 1.
FIG. 4 is a rear perspective view of the upper ring of laparoscopic port system of FIG. 1.
FIG. 5 is a top perspective view of the upper ring of laparoscopic port system of FIG. 1.
FIG. 6 is a bottom perspective view of the upper ring of laparoscopic port system of FIG. 1; and,
FIG. 7 is a three quarter perspective view of the upper ring of laparoscopic port system of FIG. 1.

1 Claim, 7 Drawing Sheets



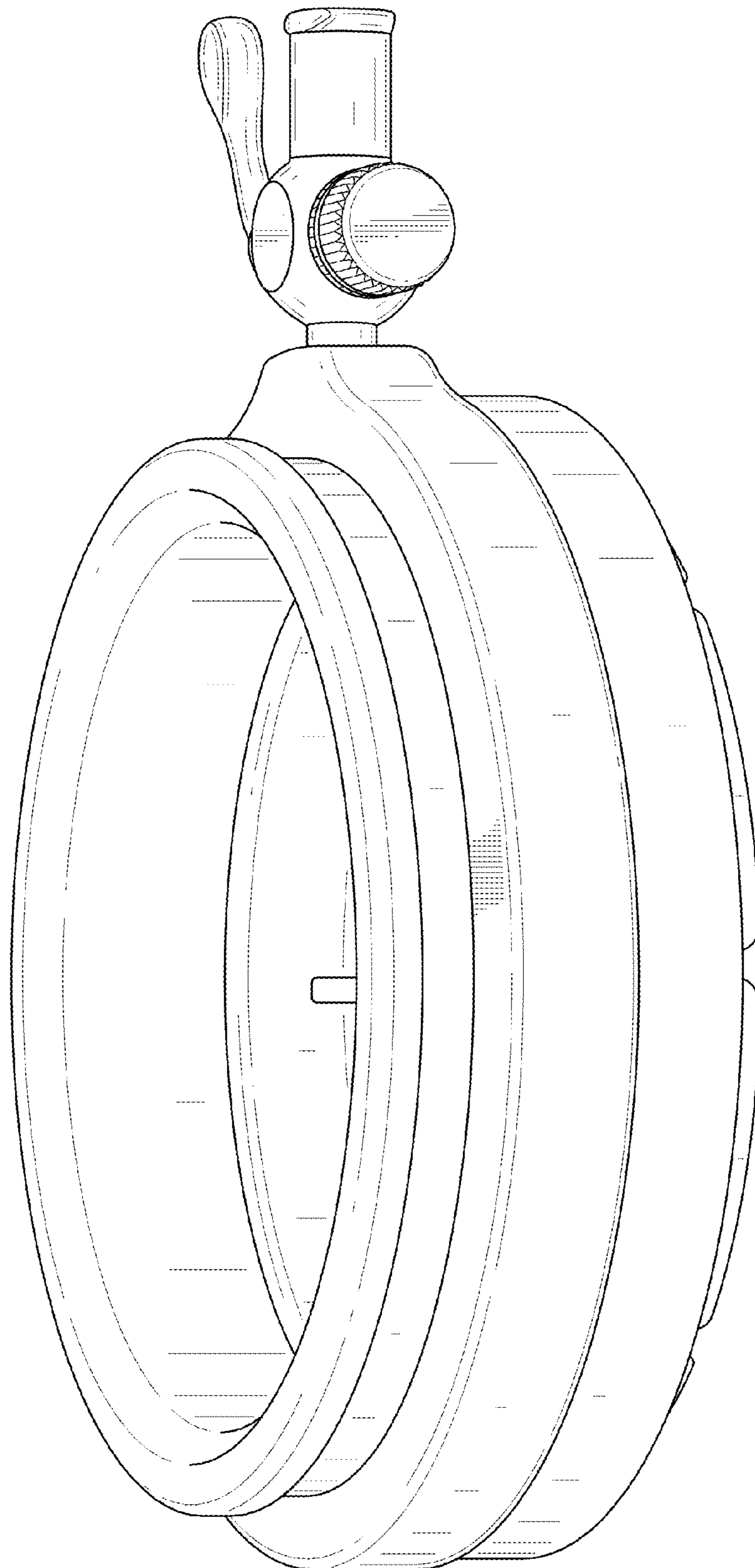


FIG.1

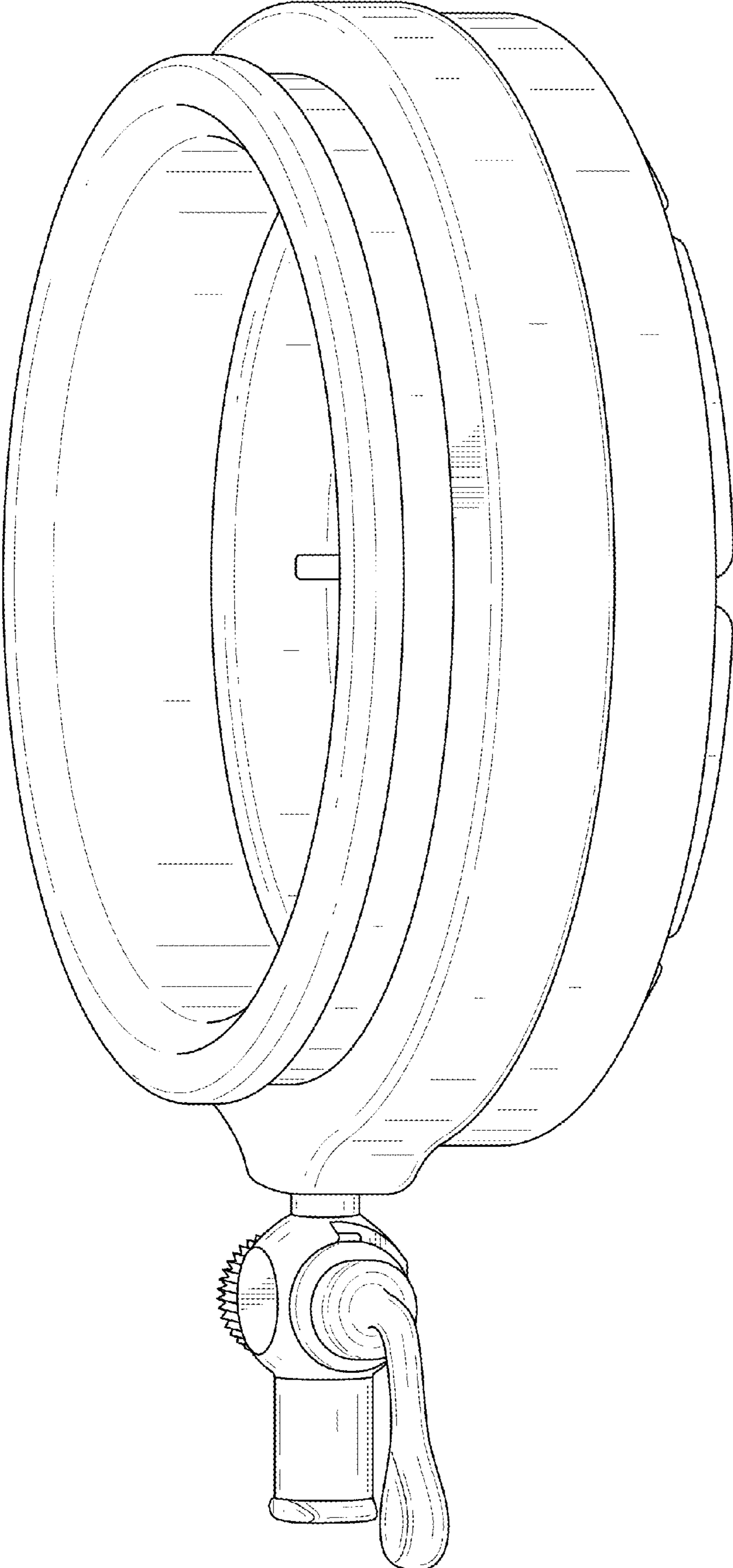


FIG.2

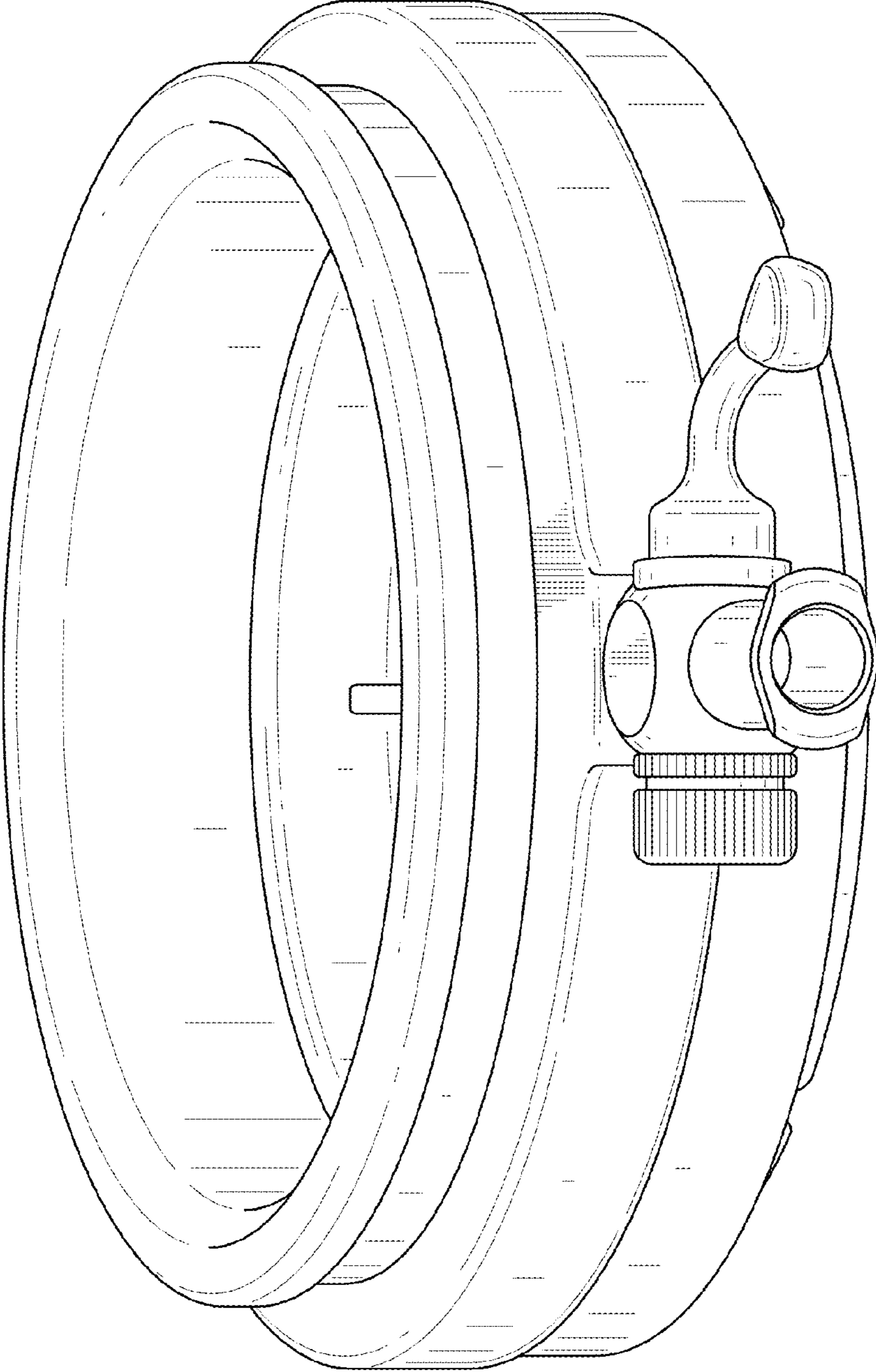


FIG.3

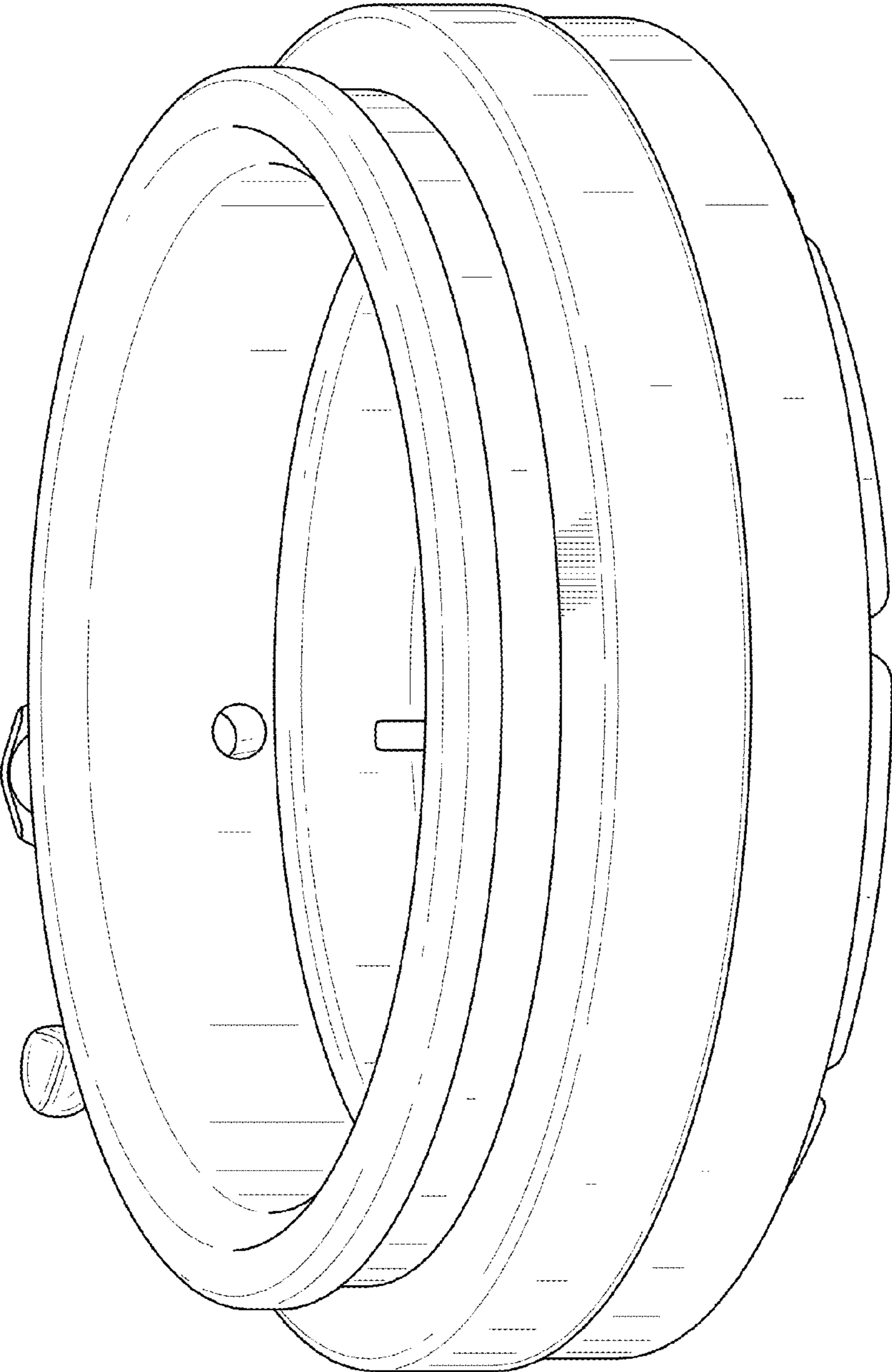


FIG.4

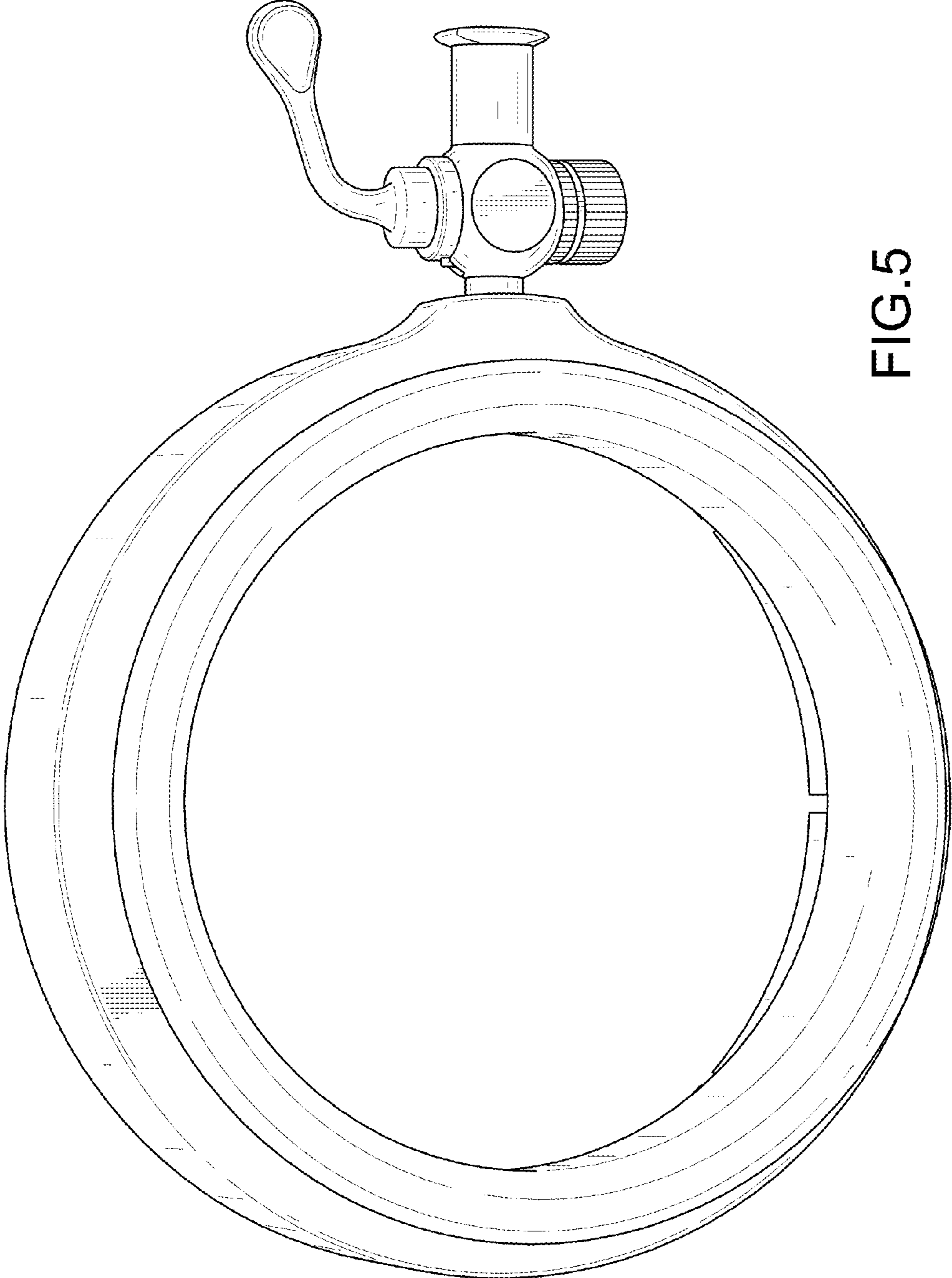


FIG.5

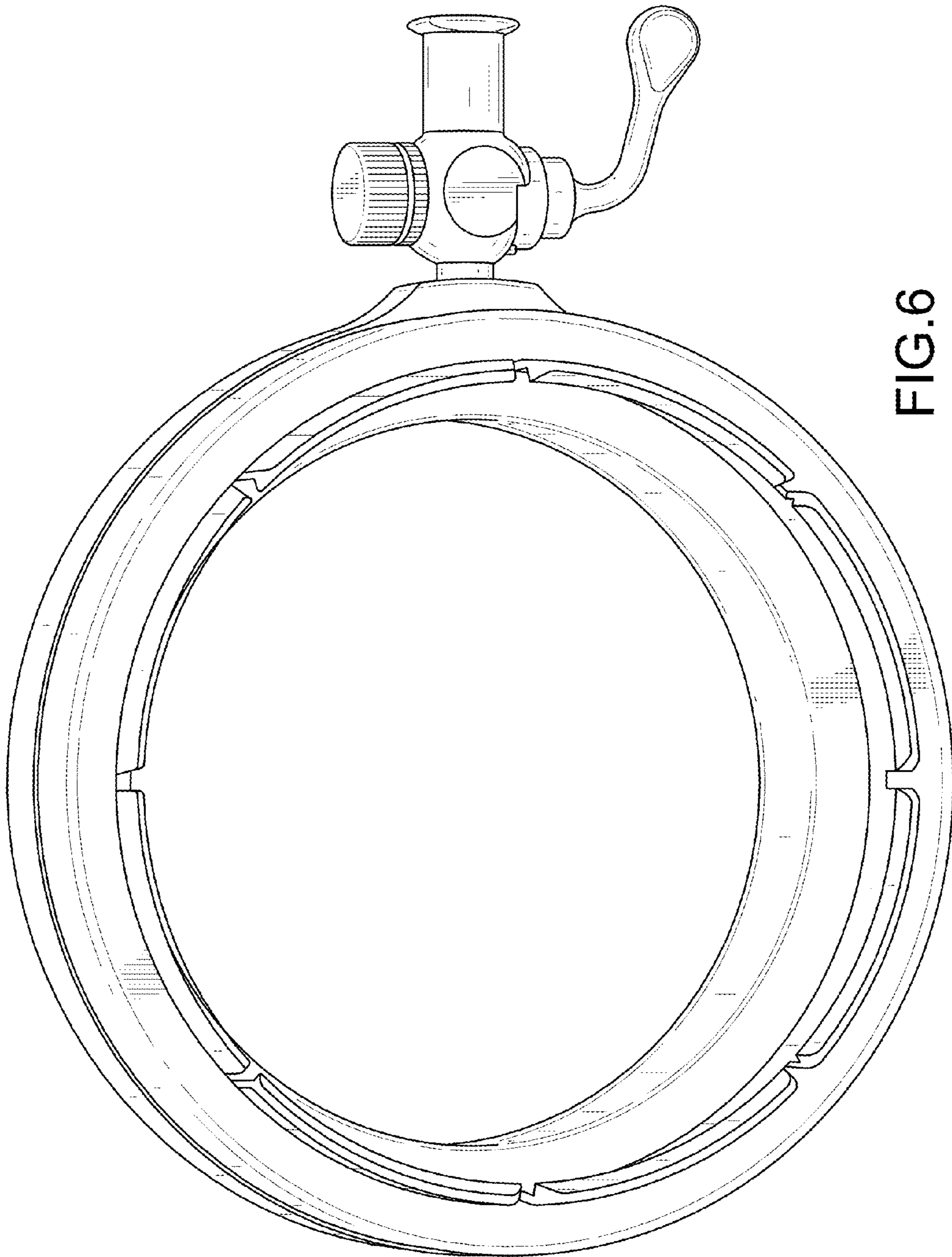


FIG.6

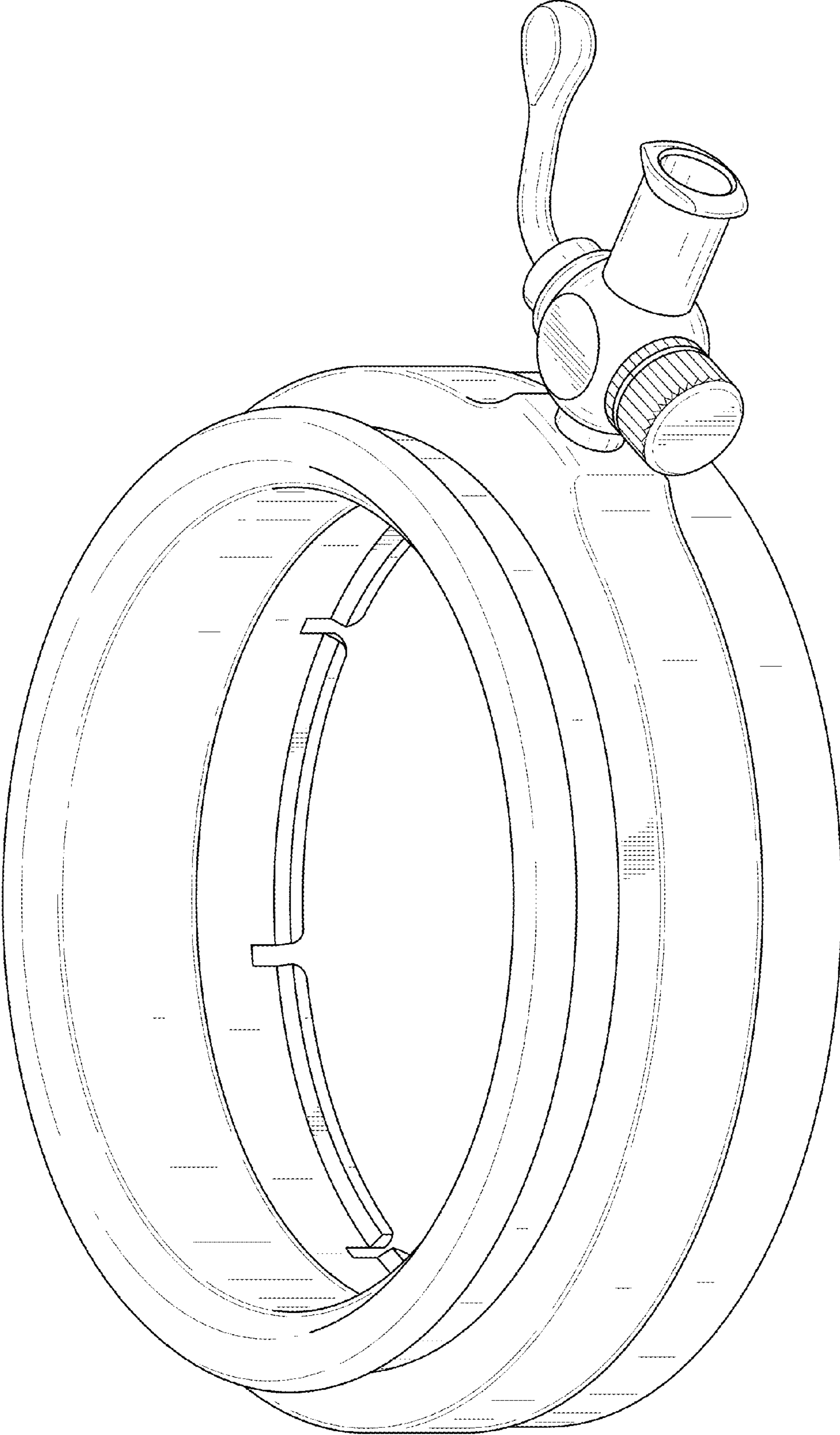


FIG.7

UNITED STATES PATENT AND TRADEMARK OFFICE
CERTIFICATE OF CORRECTION

PATENT NO. : D699,845 S
APPLICATION NO. : 29/439533
DATED : February 18, 2014
INVENTOR(S) : Leroy et al.

Page 1 of 1

It is certified that error appears in the above-identified patent and that said Letters Patent is hereby corrected as shown below:

On the title page, item (72) Inventors should read:

Joel Leroy, Bouvigny-Boyeffles (FR);
Michael Sauer, Tuttlingen (DE);
Sebastian Wagner, Bretten (DE);
Thomas Weishaupt, Sigmaringen (DE);
Daniela Wiest, Stockach (DE)

Signed and Sealed this
Twentieth Day of May, 2014



Michelle K. Lee
Deputy Director of the United States Patent and Trademark Office