



US00D699844S

(12) **United States Design Patent**
Yoshida et al.

(10) **Patent No.:** **US D699,844 S**

(45) **Date of Patent:** **** Feb. 18, 2014**

(54) **GAS FEEDER FOR ENDOSCOPE**

(71) Applicant: **Fujifilm Corporation**, Tokyo (JP)

(72) Inventors: **Koji Yoshida**, Ashigarakami-gun (JP);
Kunihiko Tanaka, Ashigarakami-gun (JP)

(73) Assignee: **FUJIFILM Corporation**, Tokyo (JP)

(**) Term: **14 Years**

(21) Appl. No.: **29/440,166**

(22) Filed: **Dec. 19, 2012**

(30) **Foreign Application Priority Data**

Jun. 20, 2012 (JP) 2012-014668

Jun. 20, 2012 (JP) 2012-014669

(51) **LOC (10) Cl.** **24-02**

(52) **U.S. Cl.**
USPC **D24/138**

(58) **Field of Classification Search**

USPC D24/146, 185, 135, 140, 147, 155, 139,
D24/114, 212-213, 192, 215, 130, 133, 171,
D24/141, 128, 144; 601/33, 134; 606/900,
606/86 A, 104, 90, 88, 86 R, 324, 295, 288,
606/68, 272, 267, 265, 266, 257, 251, 246,
606/57, 54, 916, 105, 96, 80, 60, 53, 64, 62,
606/63, 66; 128/845, 882, 893; 602/5, 6,
602/11, 12, 30, 40, 39, 28, 29; D29/121.2;
36/93, 94; 408/214; 248/125.1, 125.7

See application file for complete search history.

(56) **References Cited**

U.S. PATENT DOCUMENTS

D396,108 S *	7/1998	Garito et al.	D24/144
D491,666 S *	6/2004	Kimmell et al.	D24/170
D598,098 S *	8/2009	Tanaka	D24/138
D598,551 S *	8/2009	Miwa et al.	D24/186
D626,224 S *	10/2010	Amano et al.	D24/138
D640,376 S *	6/2011	Amano et al.	D24/138
D687,146 S *	7/2013	Juzkiw et al.	D24/170
D689,864 S *	9/2013	Vaughan et al.	D14/421

* cited by examiner

Primary Examiner — Robert M Spear

Assistant Examiner — Rhea Shields

(74) *Attorney, Agent, or Firm* — Sughrue Mion, PLLC

(57) **CLAIM**

The ornamental design for a gas feeder for endoscope, as shown and described.

DESCRIPTION

FIG. 1 is a top, front and side perspective view of a gas feeder for endoscope showing a first embodiment of my new design; FIG. 2 is a front elevational view thereof; FIG. 3 is a rear elevational view thereof; FIG. 4 is a top plan view thereof; FIG. 5 is a bottom plan view thereof; FIG. 6 is a right side elevational view thereof; and, FIG. 7 is a left side elevational view thereof.

1 Claim, 7 Drawing Sheets

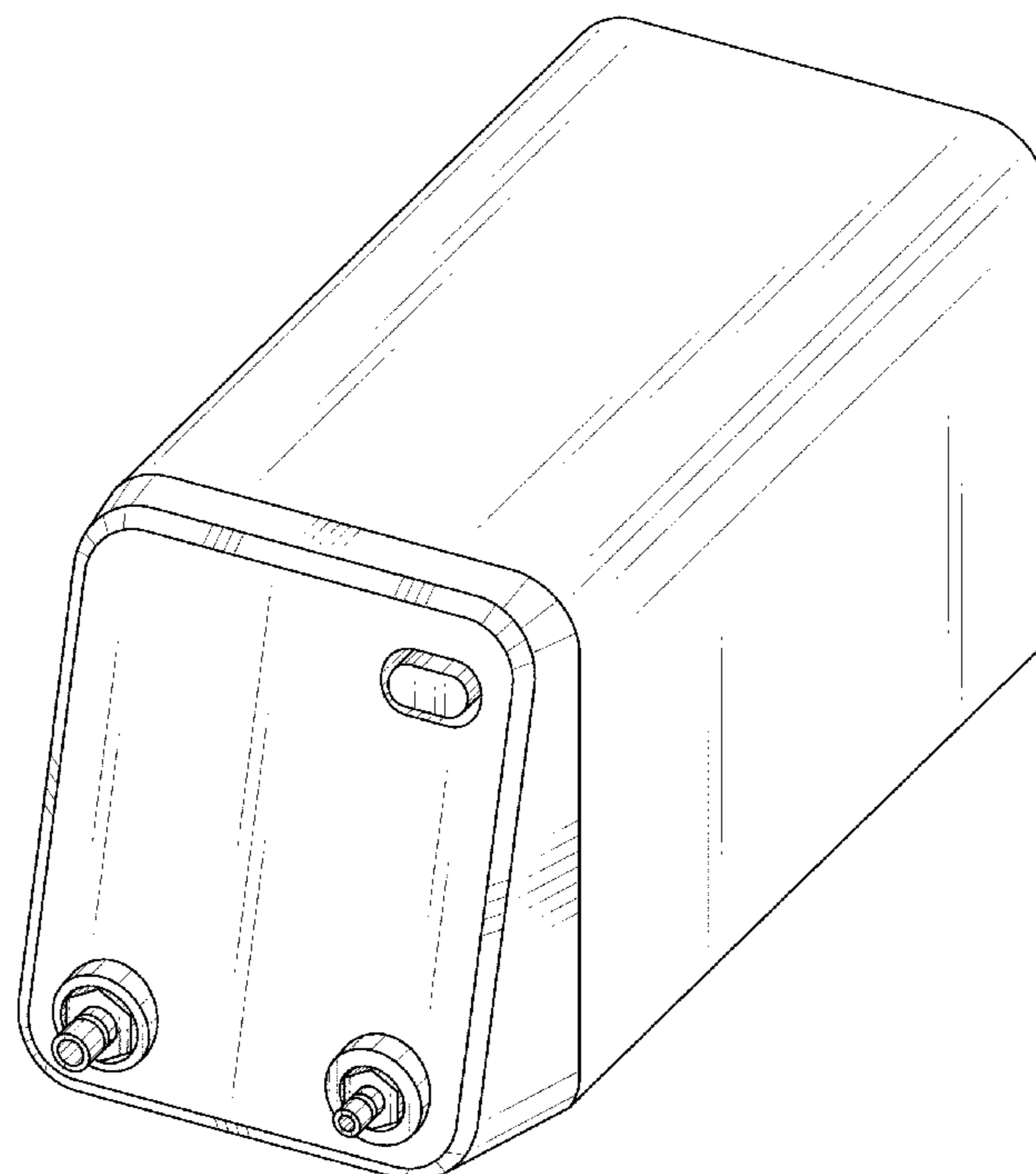


FIG. 1

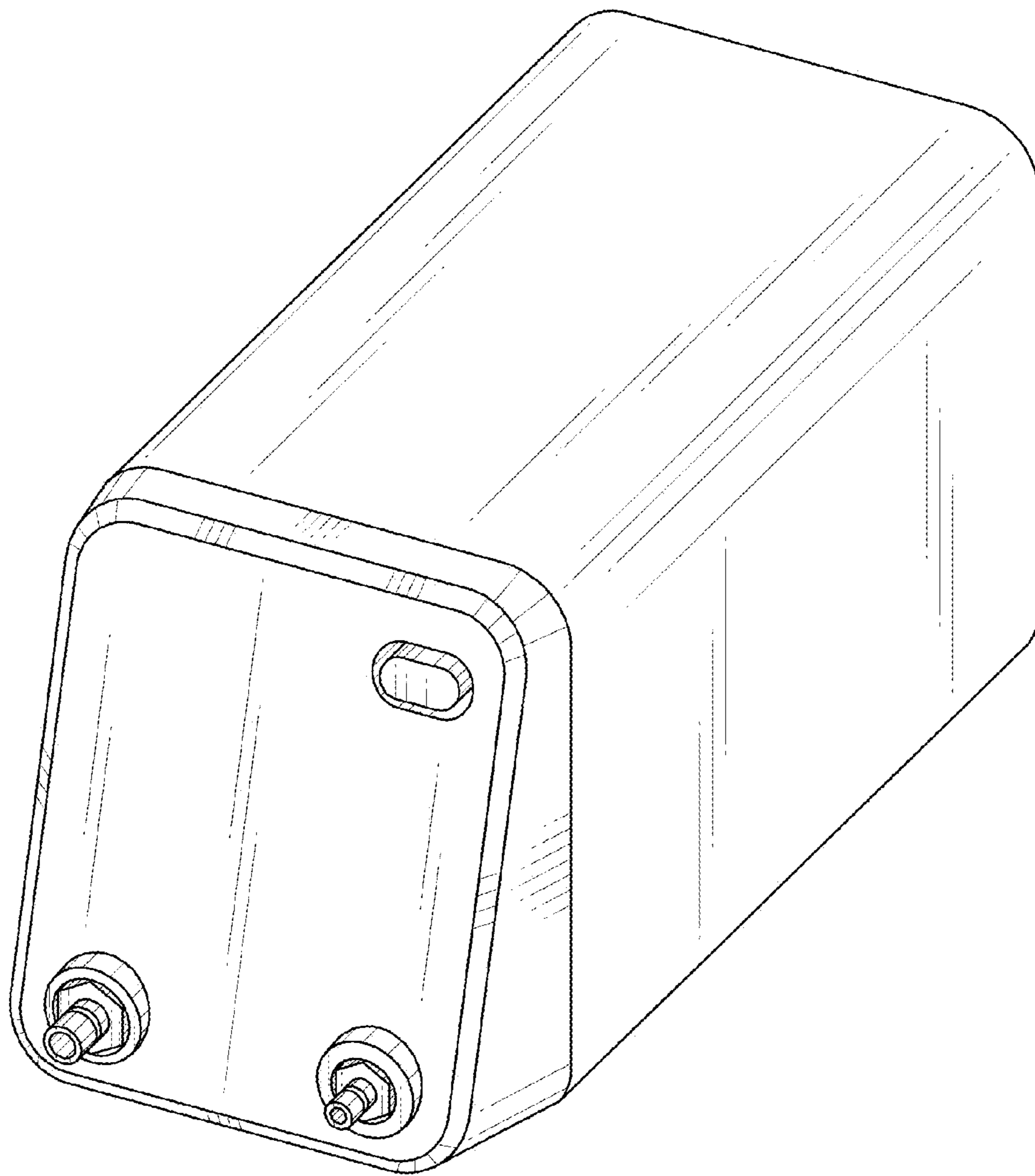


FIG.2

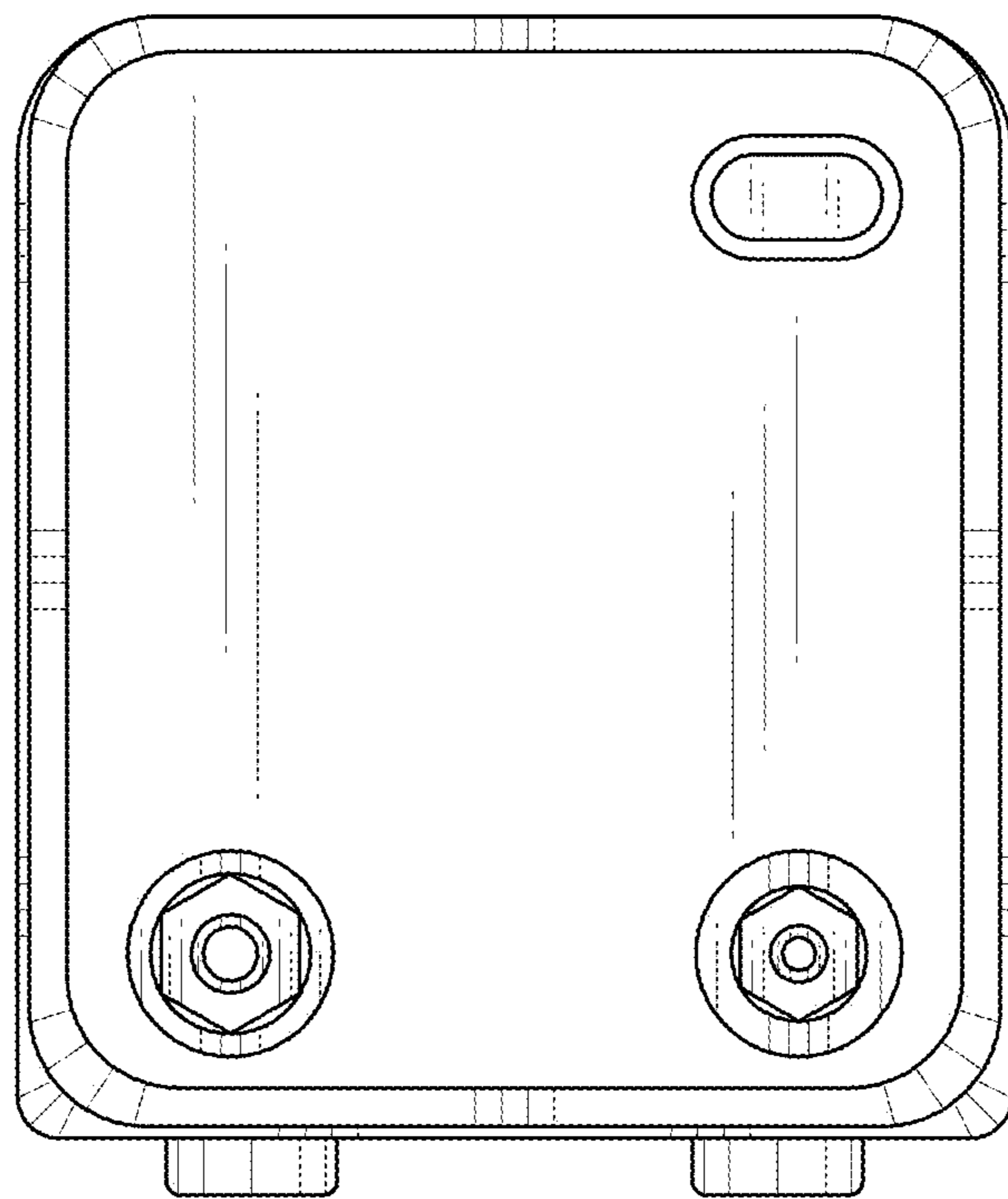


FIG.3

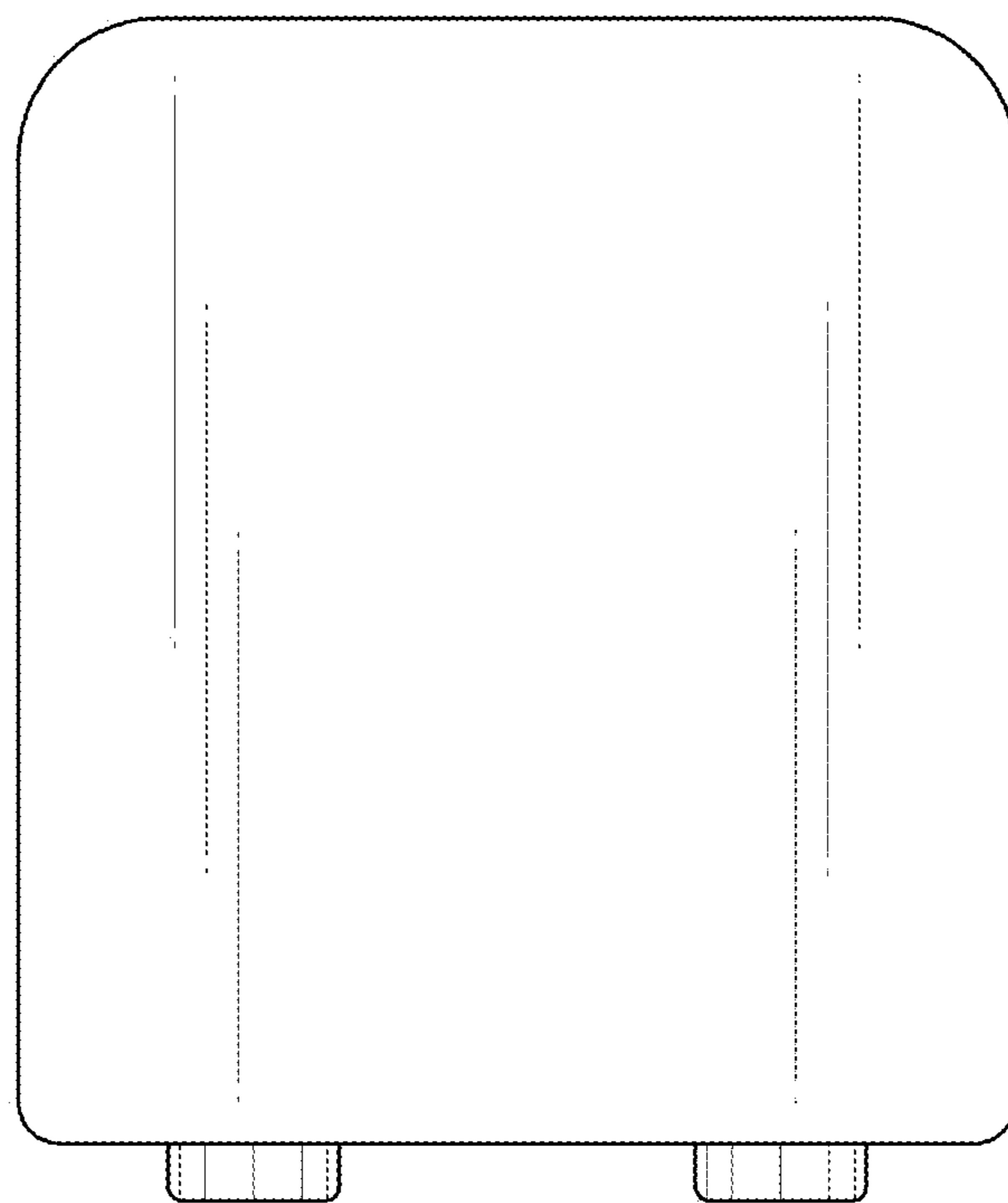


FIG.4

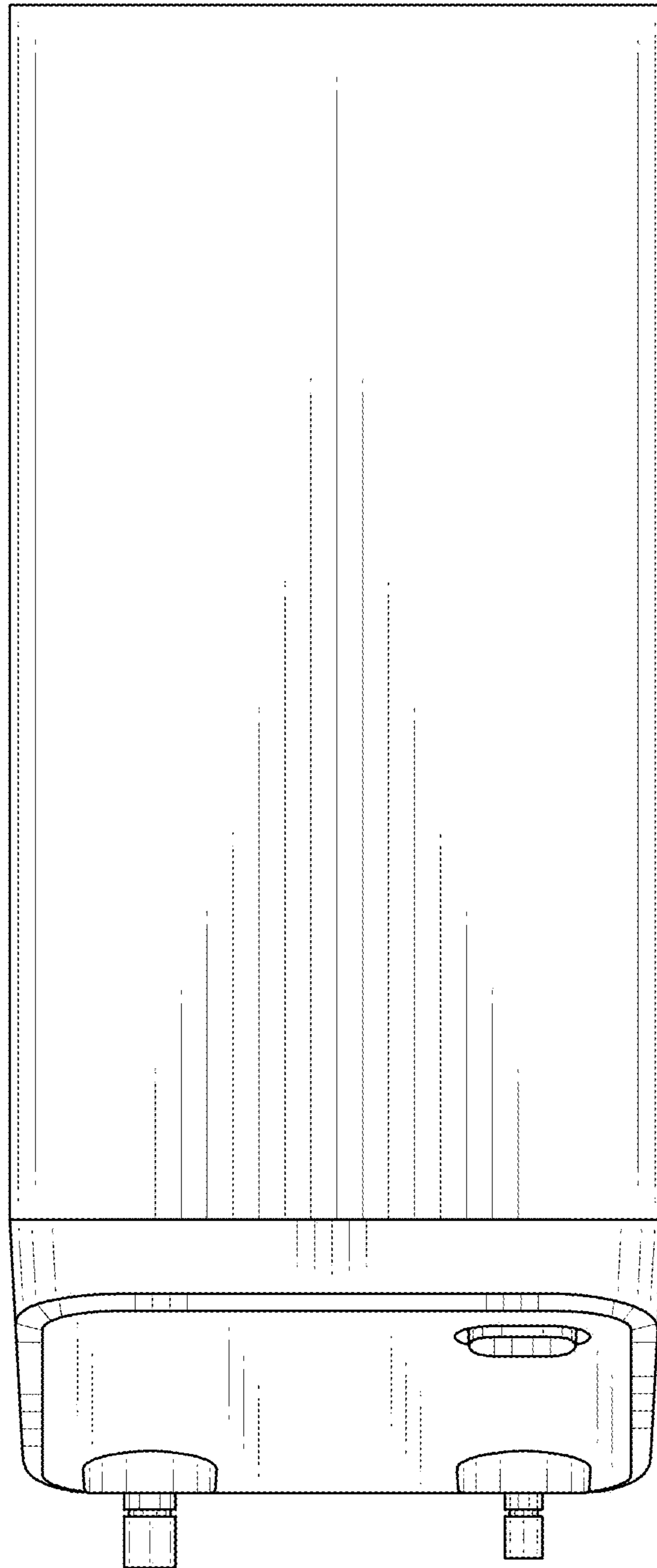


FIG. 5

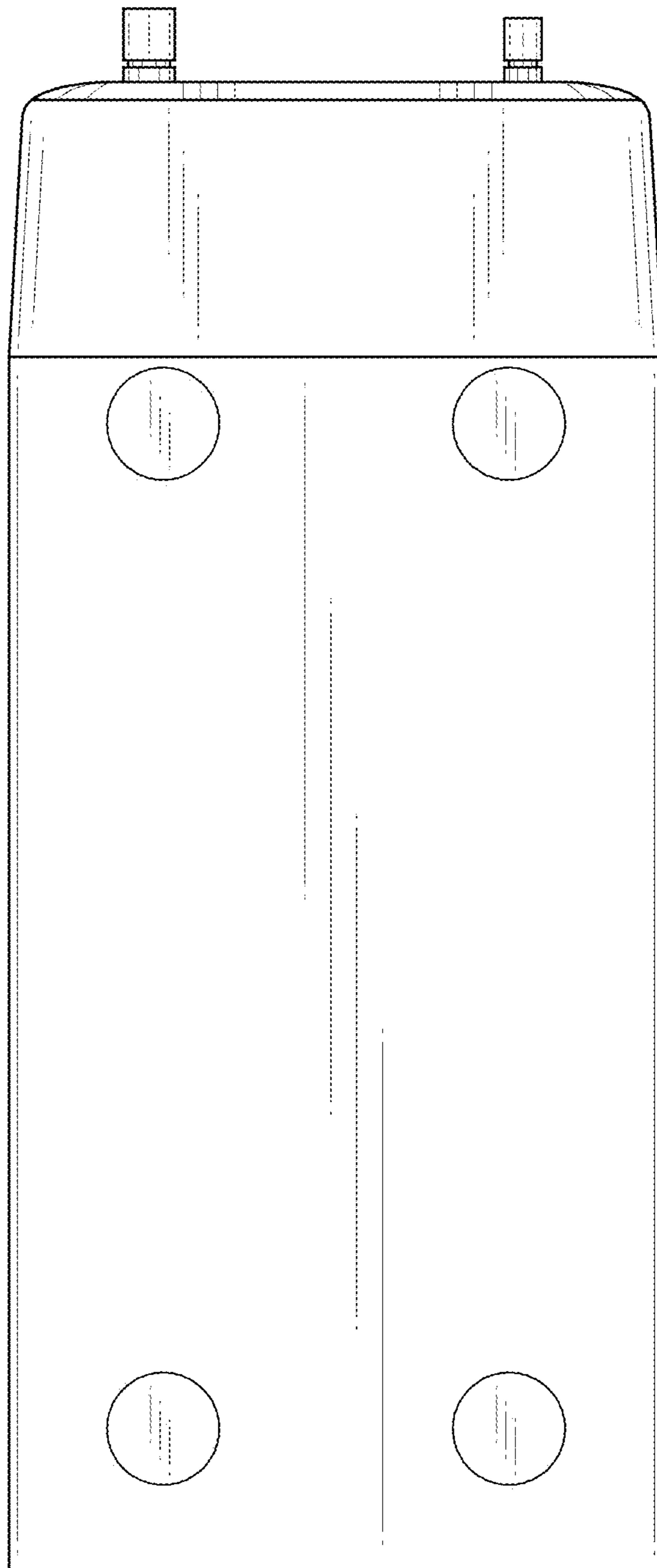


FIG. 6

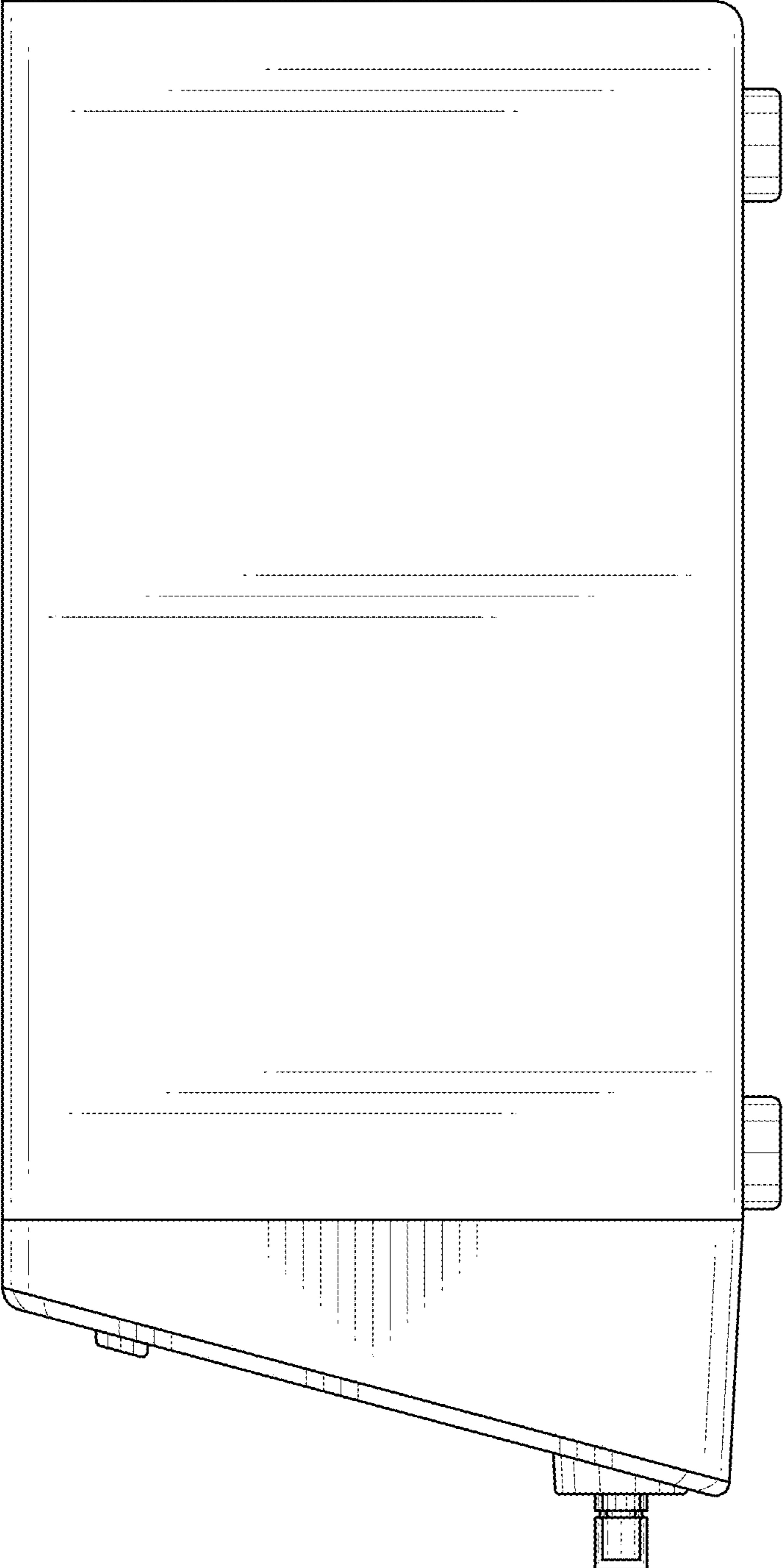


FIG. 7

