

US00D699843S

(12) **United States Design Patent**
Stark

(10) **Patent No.:** **US D699,843 S**
(45) **Date of Patent:** **** Feb. 18, 2014**

- (54) **CONTAINER COVER**
- (75) Inventor: **Kenneth O. Stark**, San Marcos, CA (US)
- (73) Assignee: **Becton, Dickinson and Company**, Franklin Lakes, NJ (US)
- (**) Term: **14 Years**
- (21) Appl. No.: **29/403,125**
- (22) Filed: **Sep. 30, 2011**
- (51) **LOC (10) Cl.** **24-02**
- (52) **U.S. Cl.**
USPC **D24/131**
- (58) **Field of Classification Search**
USPC D24/131, 127, 121, 123, 224, 216;
D9/428, 424, 423; D34/1, 7, 10-11;
206/365-367, 369-370; 220/254, 408,
220/411, 768-769, 908
See application file for complete search history.

5,405,034 A	4/1995	Mittel, Jr. et al.	
D371,963 S	7/1996	Ahern, Jr. et al.	
5,941,385 A	8/1999	Barton	
6,062,001 A	5/2000	Kunik	
6,131,755 A	10/2000	Soyka, Jr. et al.	
6,158,632 A	12/2000	Ekkert	
D446,854 S *	8/2001	Cheney et al.	D24/111
D447,233 S *	8/2001	Bickel et al.	D24/131
6,364,101 B1	4/2002	Schultz	
D461,447 S	8/2002	Nawrozki	
6,585,114 B2	7/2003	Kennedy et al.	
D478,663 S *	8/2003	Moats et al.	D24/131
D482,448 S	11/2003	Crawford	
D485,906 S	1/2004	Danssaert et al.	
6,986,434 B1	1/2006	Getsy et al.	
6,997,313 B2	2/2006	Rigling	
7,445,116 B2	11/2008	Dansaert et al.	
D591,859 S	5/2009	Stark et al.	
D606,885 S	12/2009	Olsson	
D623,817 S	9/2010	Yang et al.	

(Continued)

Primary Examiner — David Muller
(74) *Attorney, Agent, or Firm* — Servilla Whitney LLC

(57) **CLAIM**
The ornamental designs for a container cover, substantially as shown and described.

(56) **References Cited**

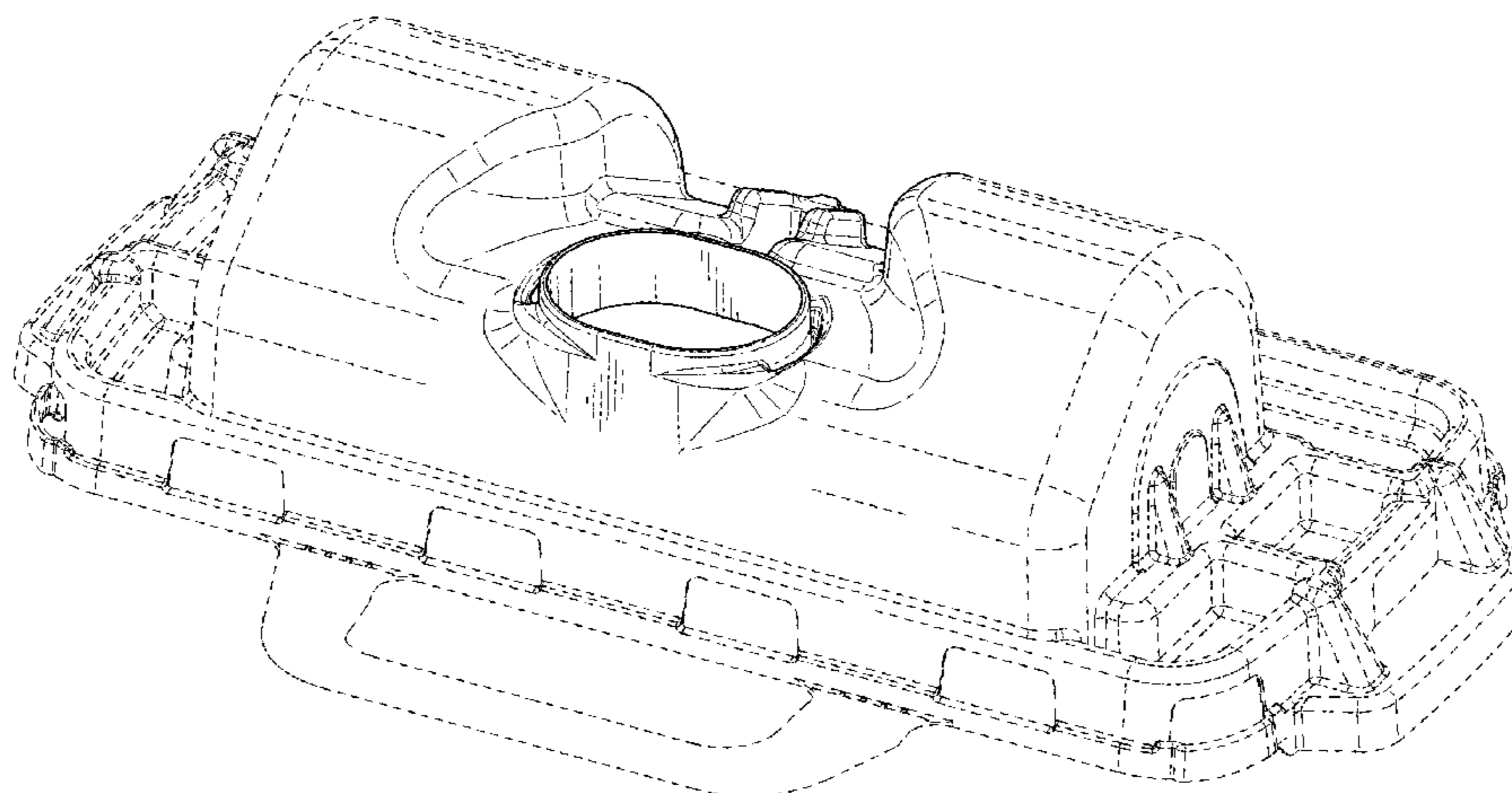
U.S. PATENT DOCUMENTS

501,636 A	7/1893	Welds	
505,082 A	9/1893	Von Ainbach	
4,328,907 A	5/1982	Beard	
4,452,358 A	6/1984	Simpson	
4,454,944 A	6/1984	Shillington et al.	
4,462,507 A	7/1984	Margulies	
D279,417 S	6/1985	Spencer	
4,520,926 A	6/1985	Nelson	
D292,037 S *	9/1987	Hanifl	D34/7
D292,777 S	11/1987	Shillington et al.	
D302,291 S	7/1989	Heubel et al.	
4,874,103 A	10/1989	Quisenberry et al.	
4,930,655 A	6/1990	Wells	
D330,765 S	11/1992	Laws	
5,165,563 A	11/1992	McKendry	

DESCRIPTION

FIG. 1 is a top front perspective view of a container cover; FIG. 2 is a top back perspective view of a container cover; FIG. 3 is a front view of a container cover; FIG. 4 is a back view of a container cover; FIG. 5 is a right view of a container cover; FIG. 6 is a left view of a container cover; FIG. 7 is a top view of a container cover; and, FIG. 8 is a bottom view of a container cover. Portions shown in broken lines represent unclaimed portions of the claimed design.

1 Claim, 7 Drawing Sheets



(56)

References Cited

U.S. PATENT DOCUMENTS

D630,940 S	1/2011	Shapiro et al.	
D633,203 S *	2/2011	Weston et al.	D24/150
D642,048 S *	7/2011	Ocampo et al.	D9/424
D661,182 S	6/2012	Noer et al.	
D669,596 S *	10/2012	Motadel	D24/224
D671,830 S	12/2012	Hudson et al.	
D674,505 S *	1/2013	Cecchi	D24/224
D674,571 S	1/2013	Sakaguchi et al.	
D675,728 S *	2/2013	Tout et al.	D24/108
D678,504 S *	3/2013	Schmidt et al.	D24/108
D679,807 S *	4/2013	Burgess et al.	D24/121
D682,689 S *	5/2013	Kalberer et al.	D9/438
D684,861 S *	6/2013	Neumann et al.	D9/443
2004/0112896 A1	6/2004	Lewis	
2006/0249471 A1	11/2006	Leposavic et al.	
2010/0032441 A1	2/2010	Stark et al.	

* cited by examiner

FIG. 1

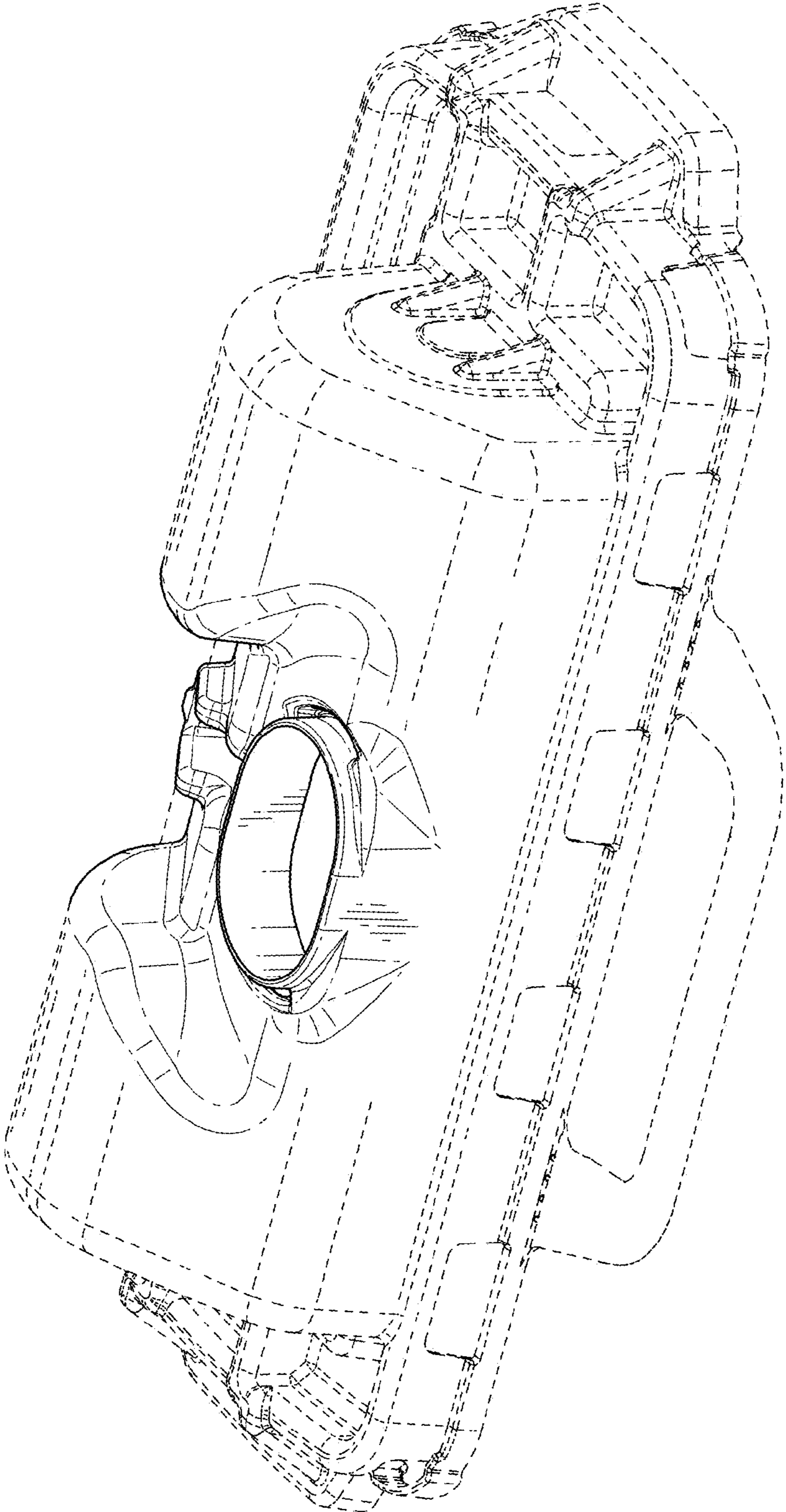


FIG. 2

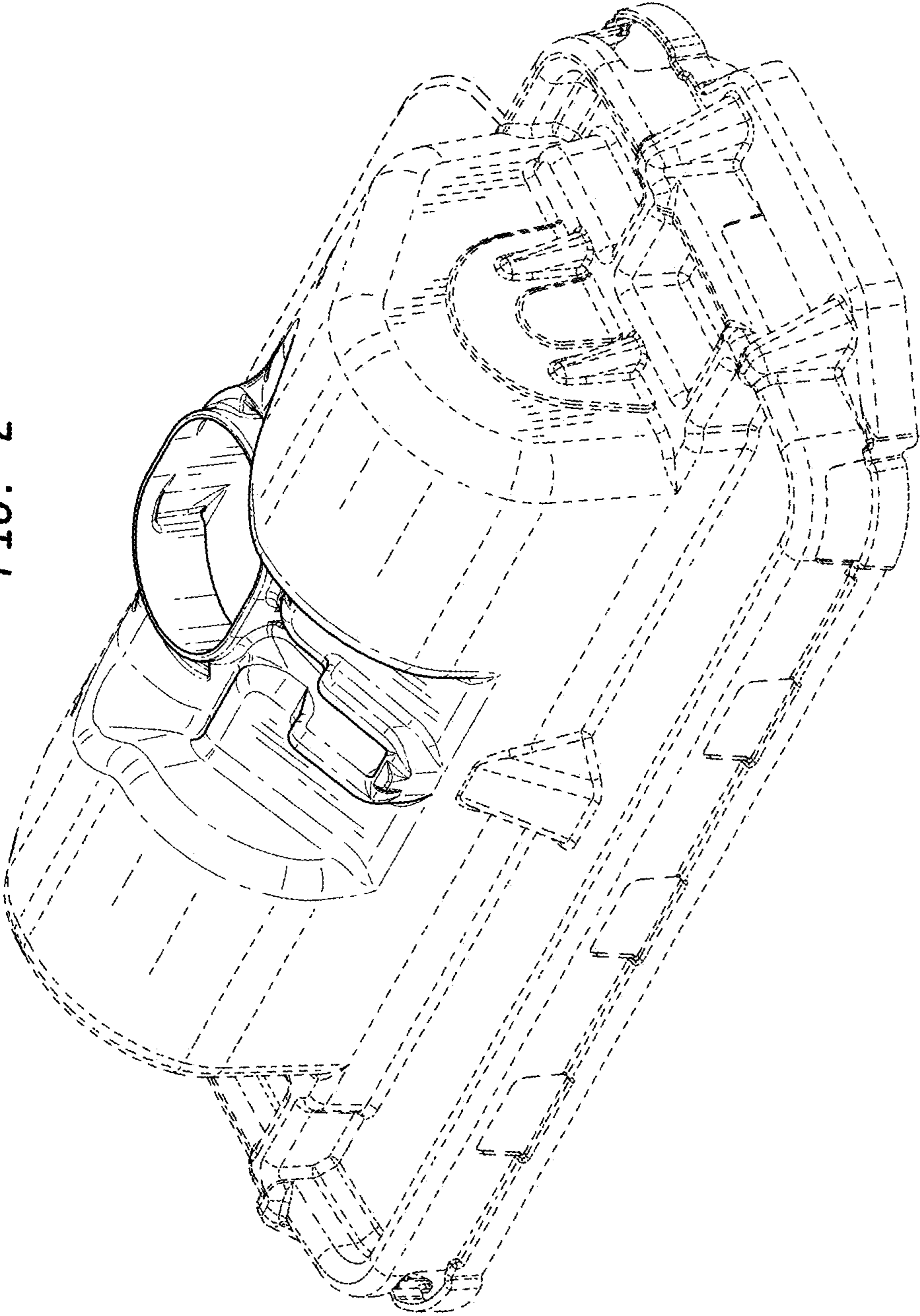


FIG. 3

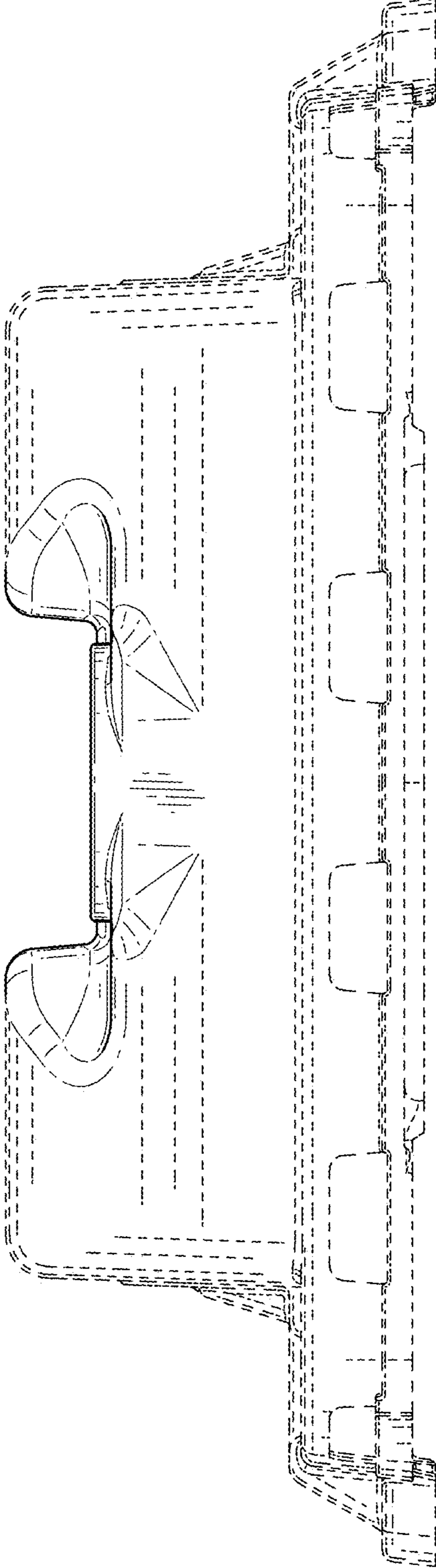


FIG. 4

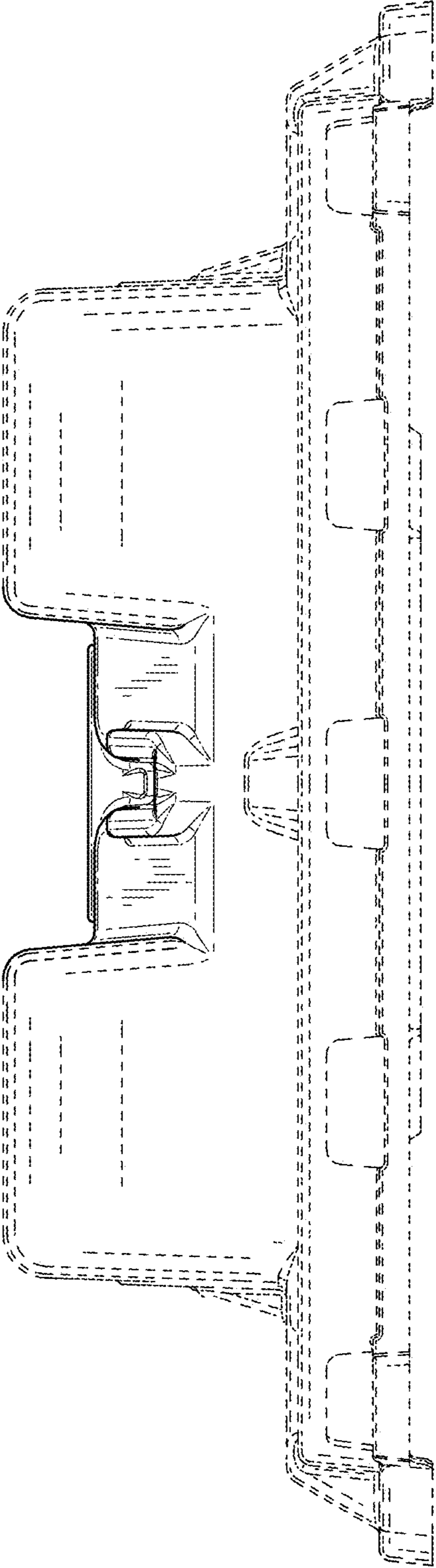


FIG. 5

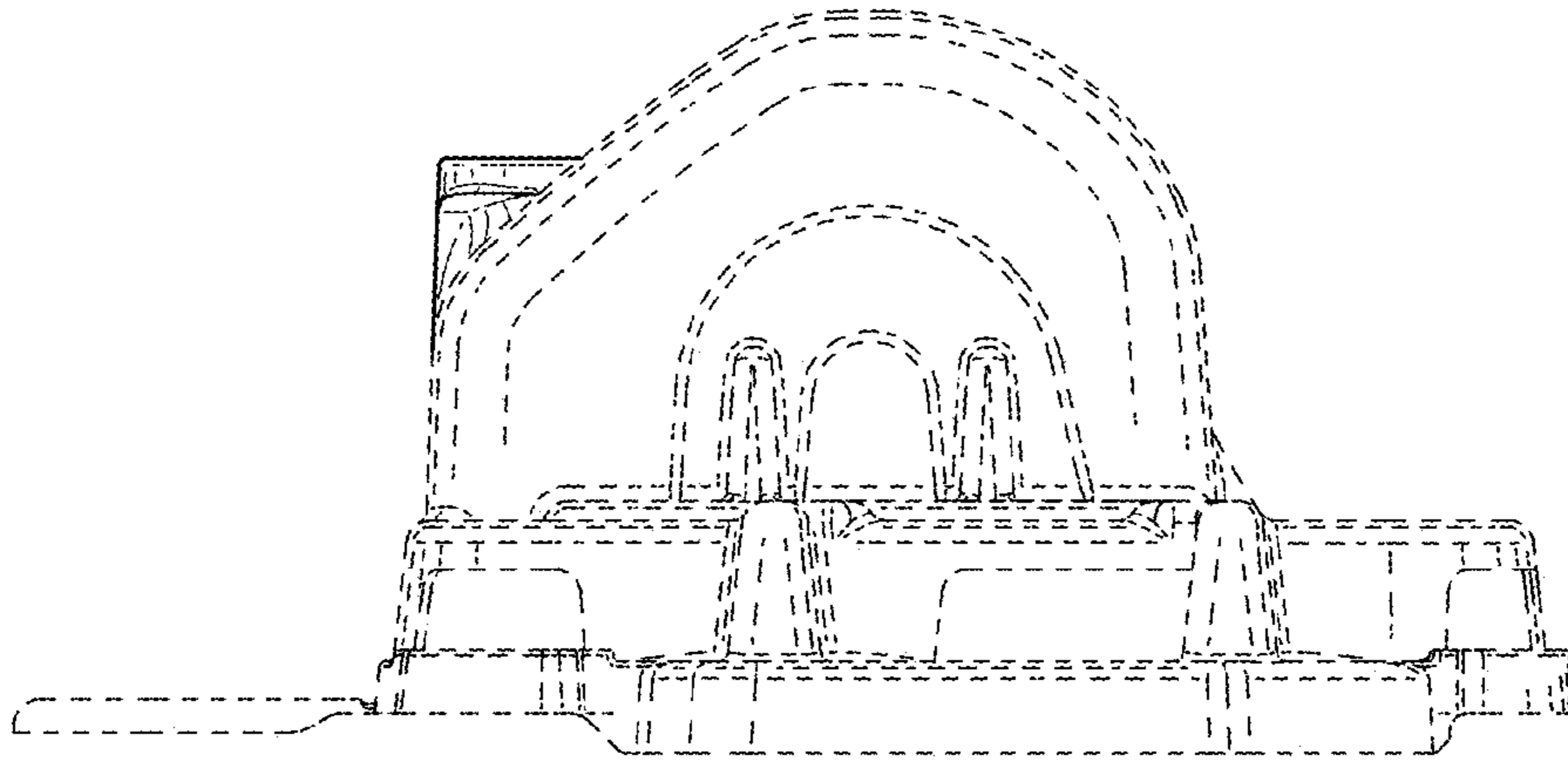


FIG. 6

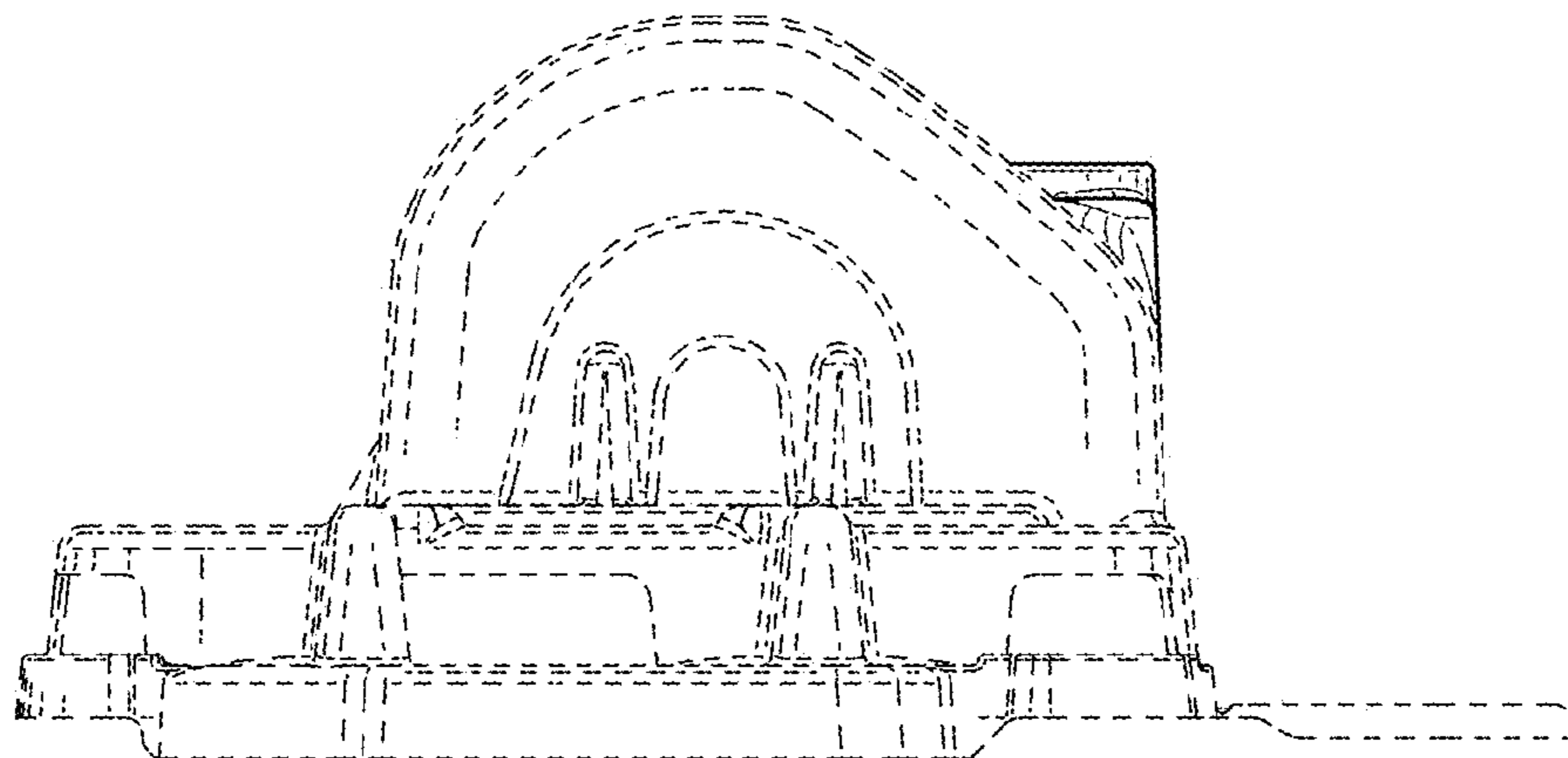


FIG. 7

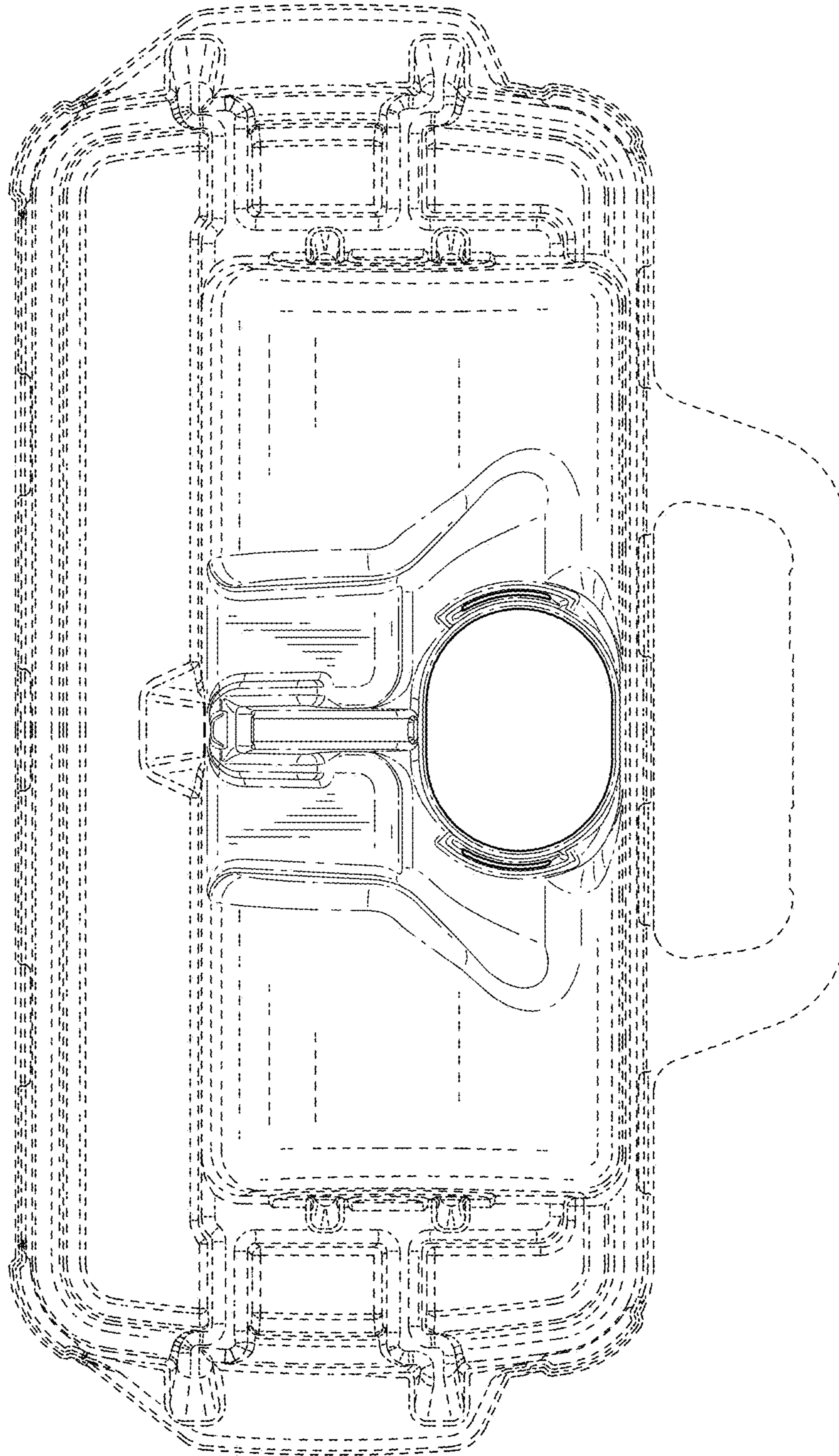


FIG. 8

