



US00D699842S

(12) **United States Design Patent**
Bang

(10) **Patent No.:** **US D699,842 S**

(45) **Date of Patent:** **** Feb. 18, 2014**

(54) **SAFETY DISPENSER AND DISPOSAL BOX**

(75) Inventor: **Young Chul Bang**, Seongnam-Si (KR)

(73) Assignee: **alltrade Vertriebs GmbH & Co. KG**,
Moets (DE)

(**) Term: **14 Years**

(21) Appl. No.: **29/400,220**

(22) Filed: **Aug. 24, 2011**

(30) **Foreign Application Priority Data**

Feb. 24, 2011 (WO) 590032801

(51) **LOC (10) Cl.** **24-02**

(52) **U.S. Cl.**
USPC **D24/131**

(58) **Field of Classification Search**
USPC D24/131, 127, 121, 123, 224, 216;
D9/424, 423; D34/1, 7, 10-11;
206/365-367, 369-370; 220/254, 408,
220/411, 768-769, 908
See application file for complete search history.

(56) **References Cited**

U.S. PATENT DOCUMENTS

D287,897 S * 1/1987 Hanifl D34/1
D327,346 S * 6/1992 Tamayo D34/1
D388,922 S * 1/1998 Peters D34/1

6,253,916 B1 * 7/2001 Bickel 206/366
D447,233 S * 8/2001 Bickel et al. D24/131
7,445,116 B2 * 11/2008 Dansaert et al. 206/366
D591,422 S * 4/2009 Dobak D24/131
7,837,034 B2 * 11/2010 Clegg et al. 206/366
7,877,849 B2 * 2/2011 Panek et al. 206/365
D686,311 S * 7/2013 Mori D24/216
2001/0023838 A1 * 9/2001 Kanner et al. 206/365
2007/0119739 A1 * 5/2007 Clegg et al. 206/365
2007/0119740 A1 * 5/2007 Clegg et al. 206/366

* cited by examiner

Primary Examiner — David Muller

(74) *Attorney, Agent, or Firm* — Plumsea Law Group, LLC

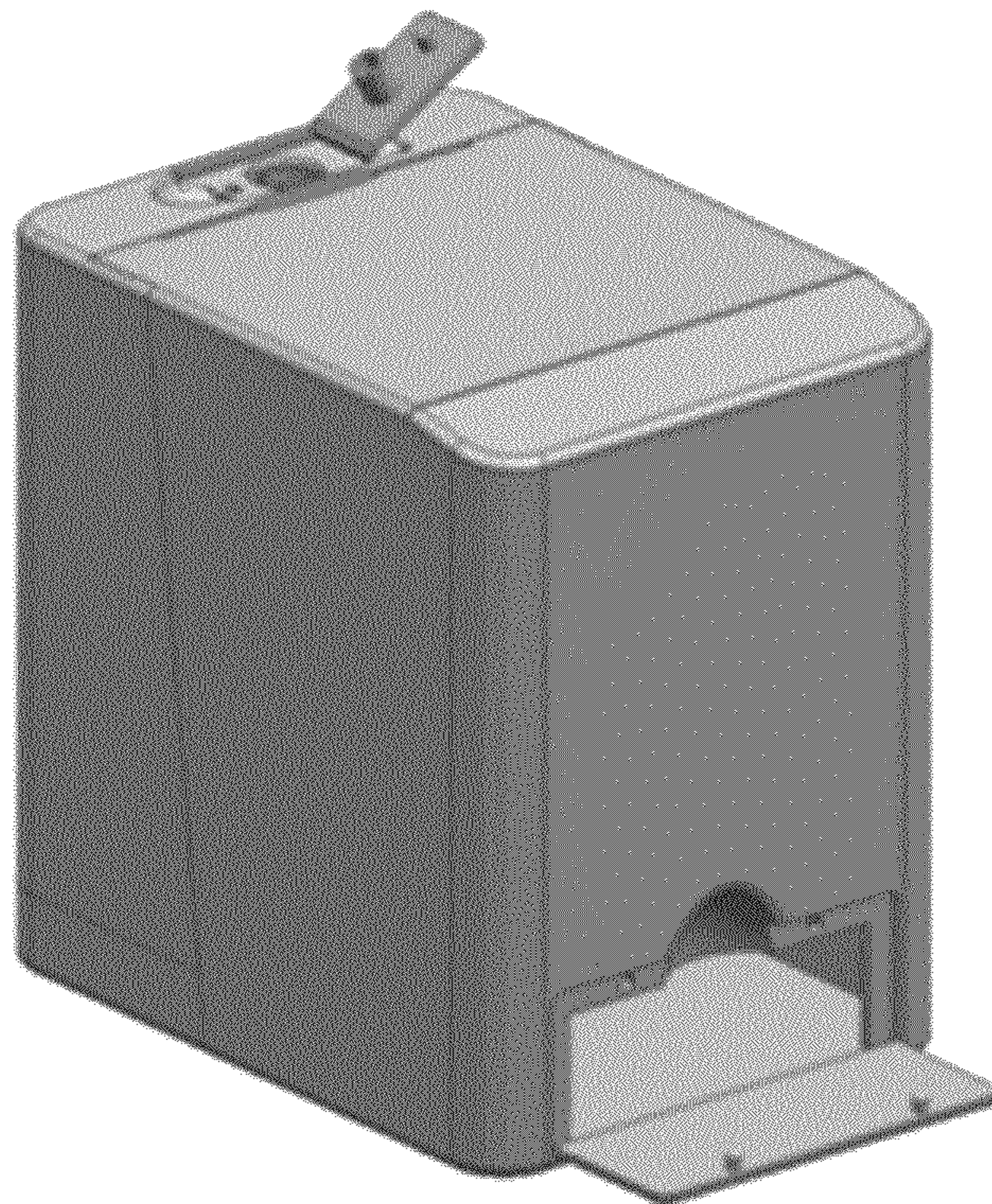
(57) **CLAIM**

The ornamental design for a safety dispenser and disposal box, as shown and described.

DESCRIPTION

FIG. 1 is a top perspective view of a safety dispenser and disposal box showing my new design with the disposal lid shown in the open position;
FIG. 2 is a right side elevational view thereof;
FIG. 3 is a top plan view thereof;
FIG. 4 is a side front elevational view thereof, the rear elevational view being a mirror image;
FIG. 5 is a perspective view thereof shown with the disposal lid in the closed position; and,
FIG. 6 is a perspective view thereof shown with the disposal lid in the open position.

1 Claim, 6 Drawing Sheets



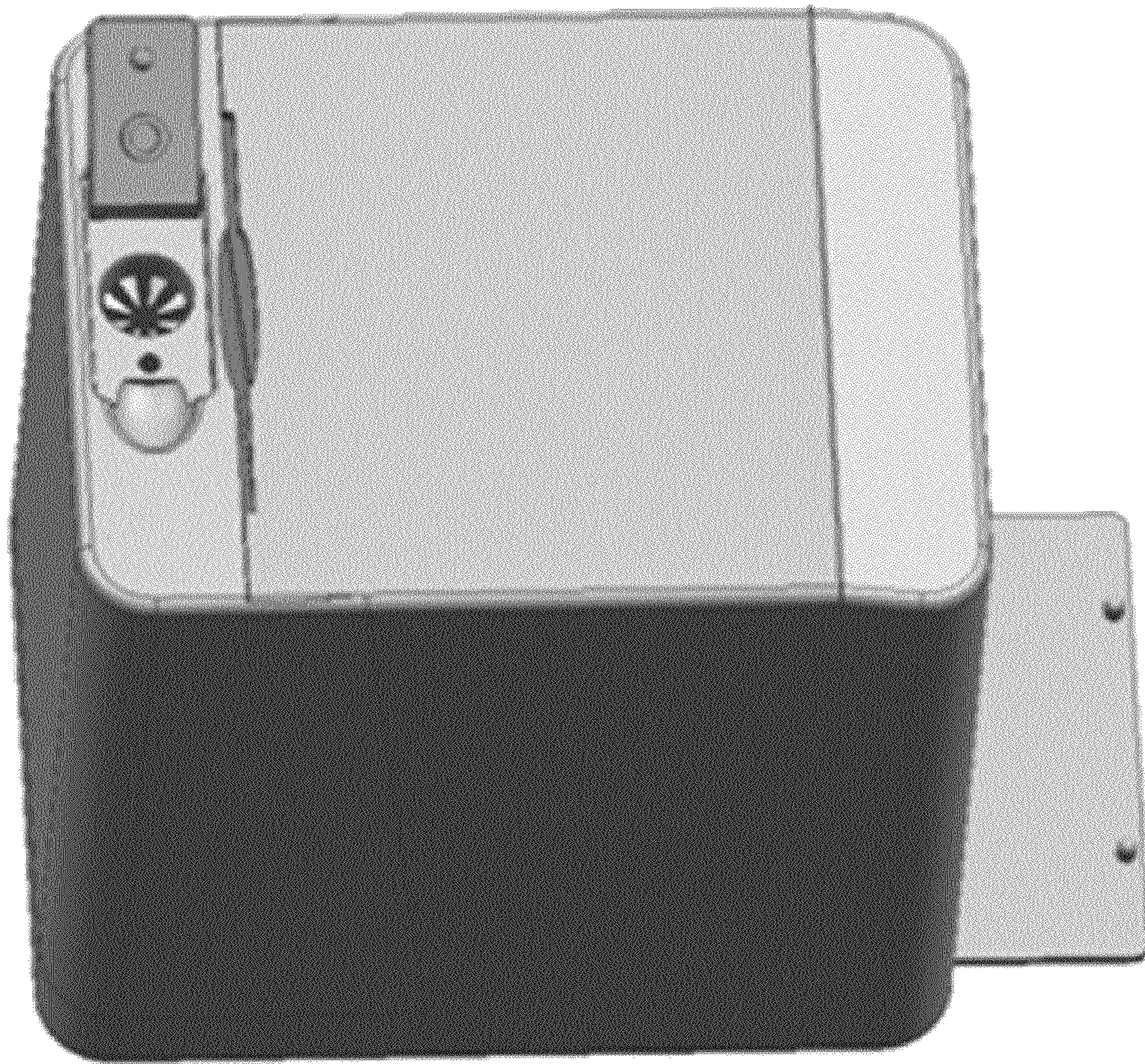


FIG. 1

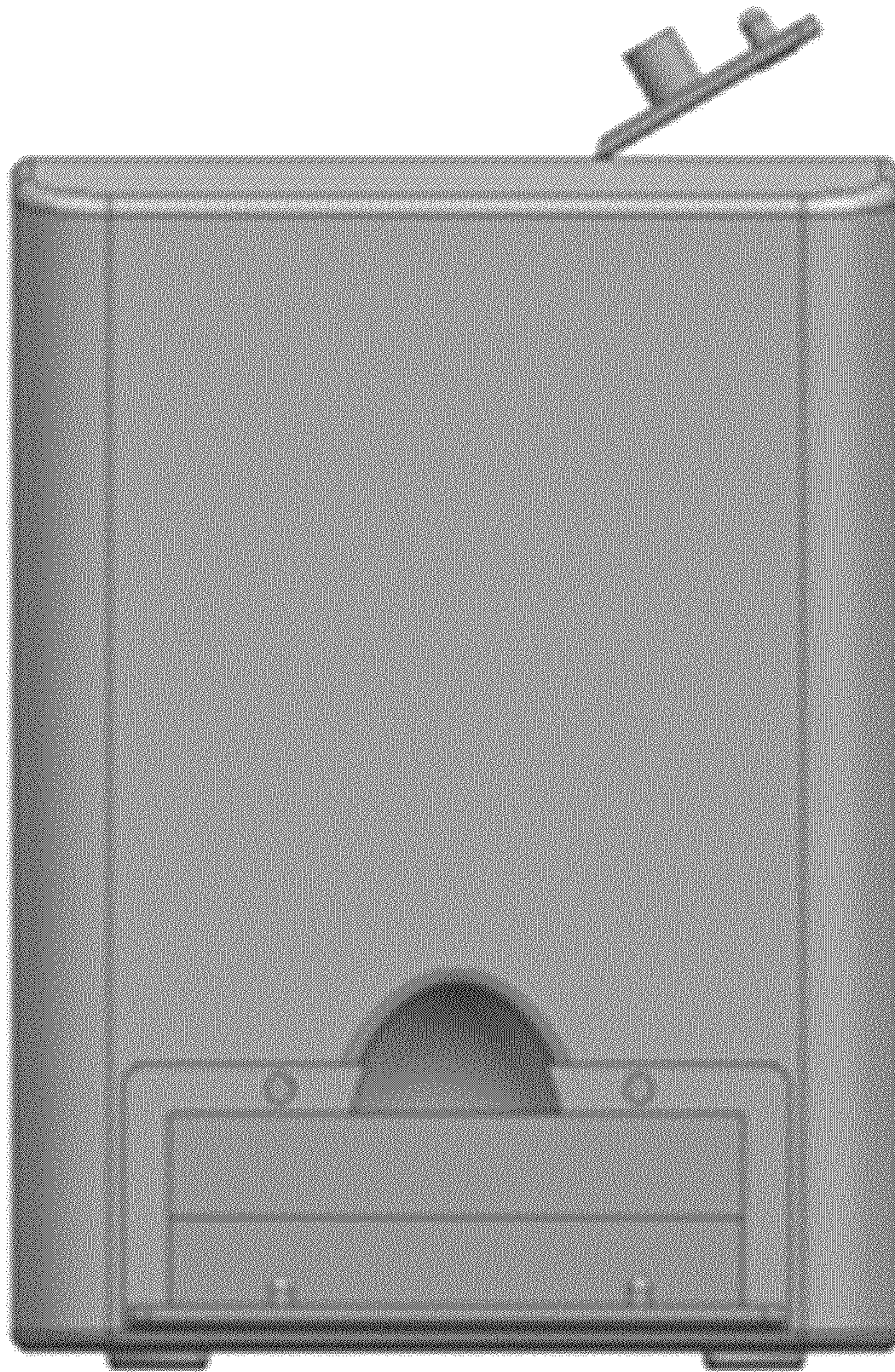


FIG. 2

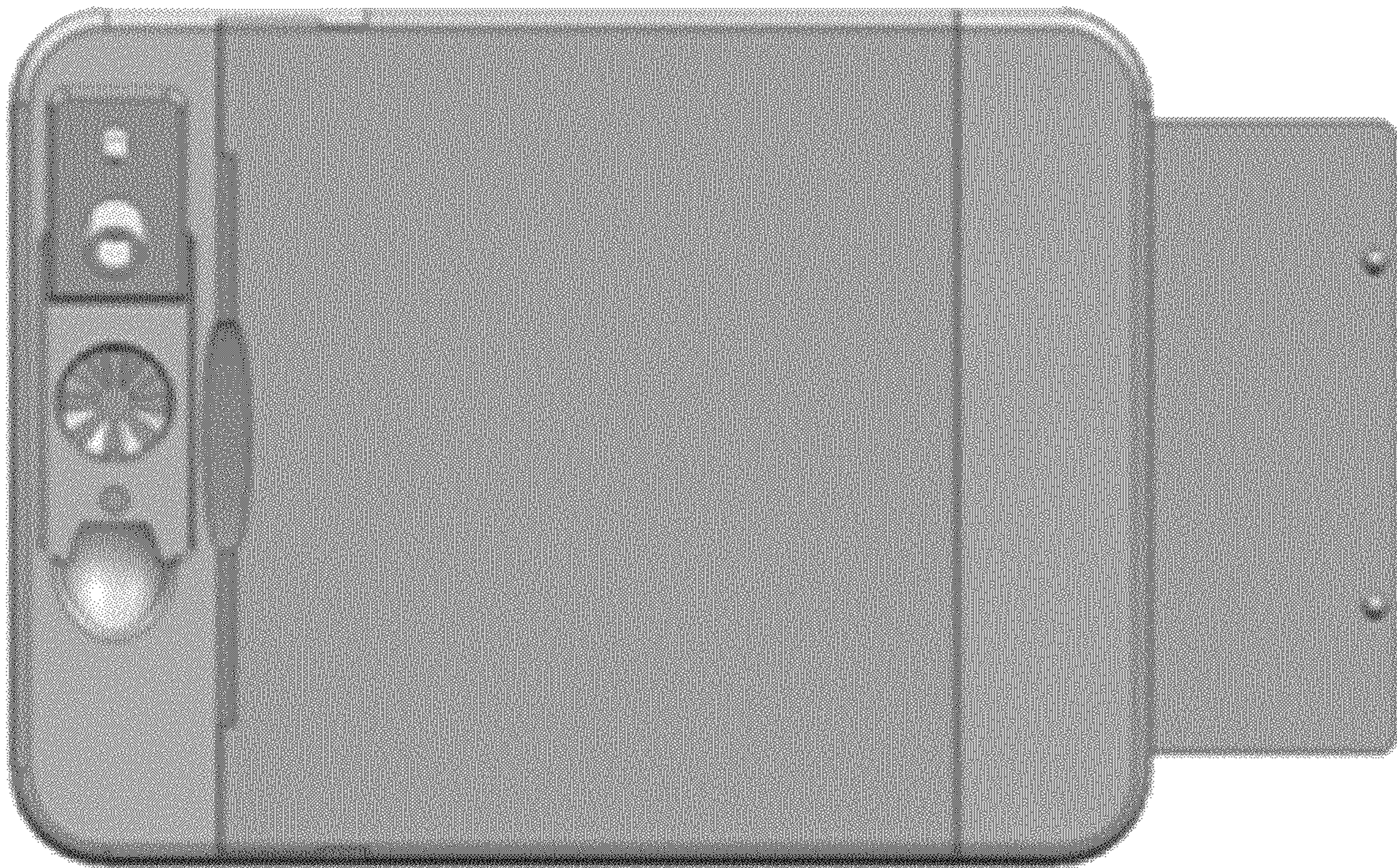


FIG. 3

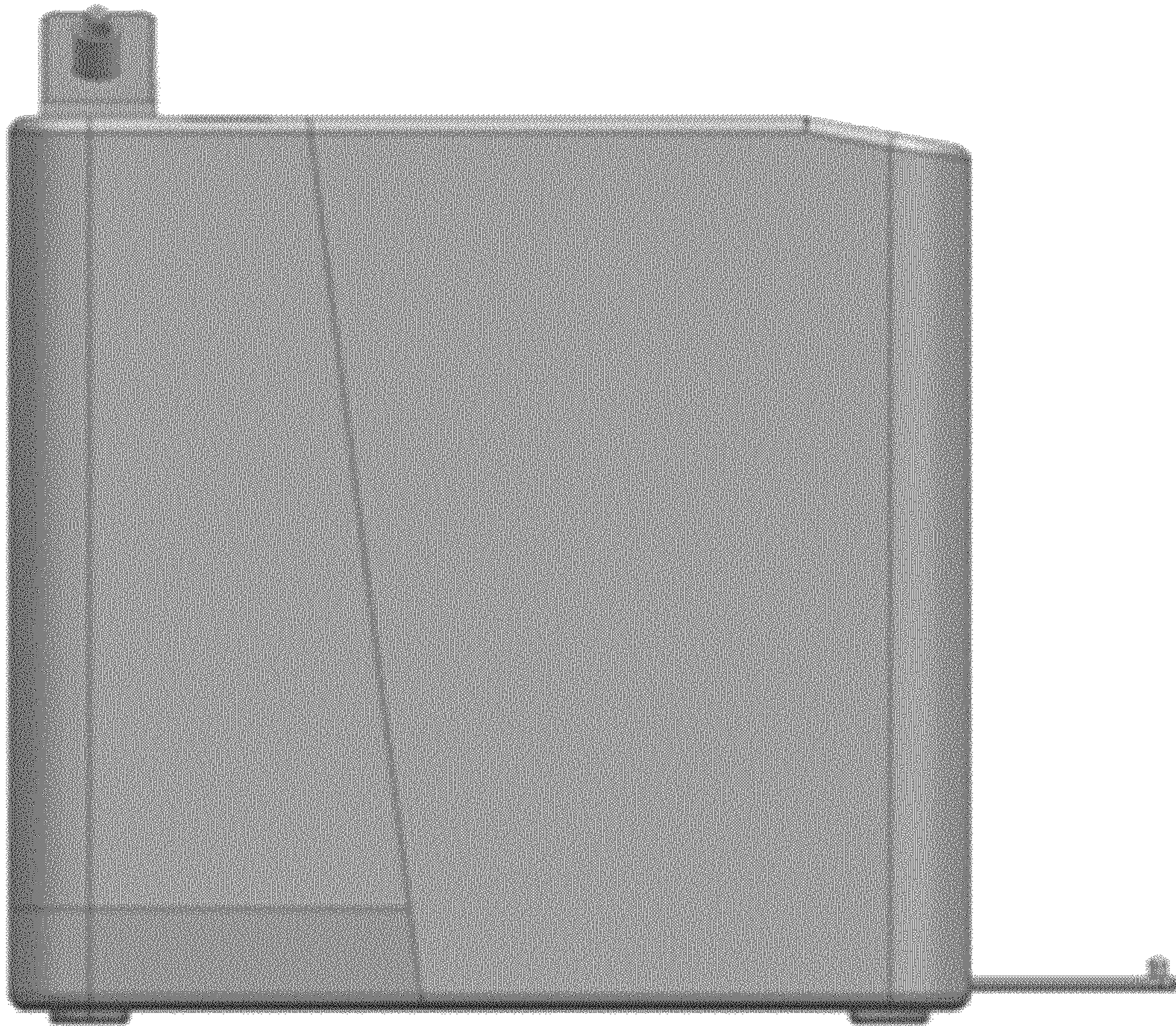


FIG. 4

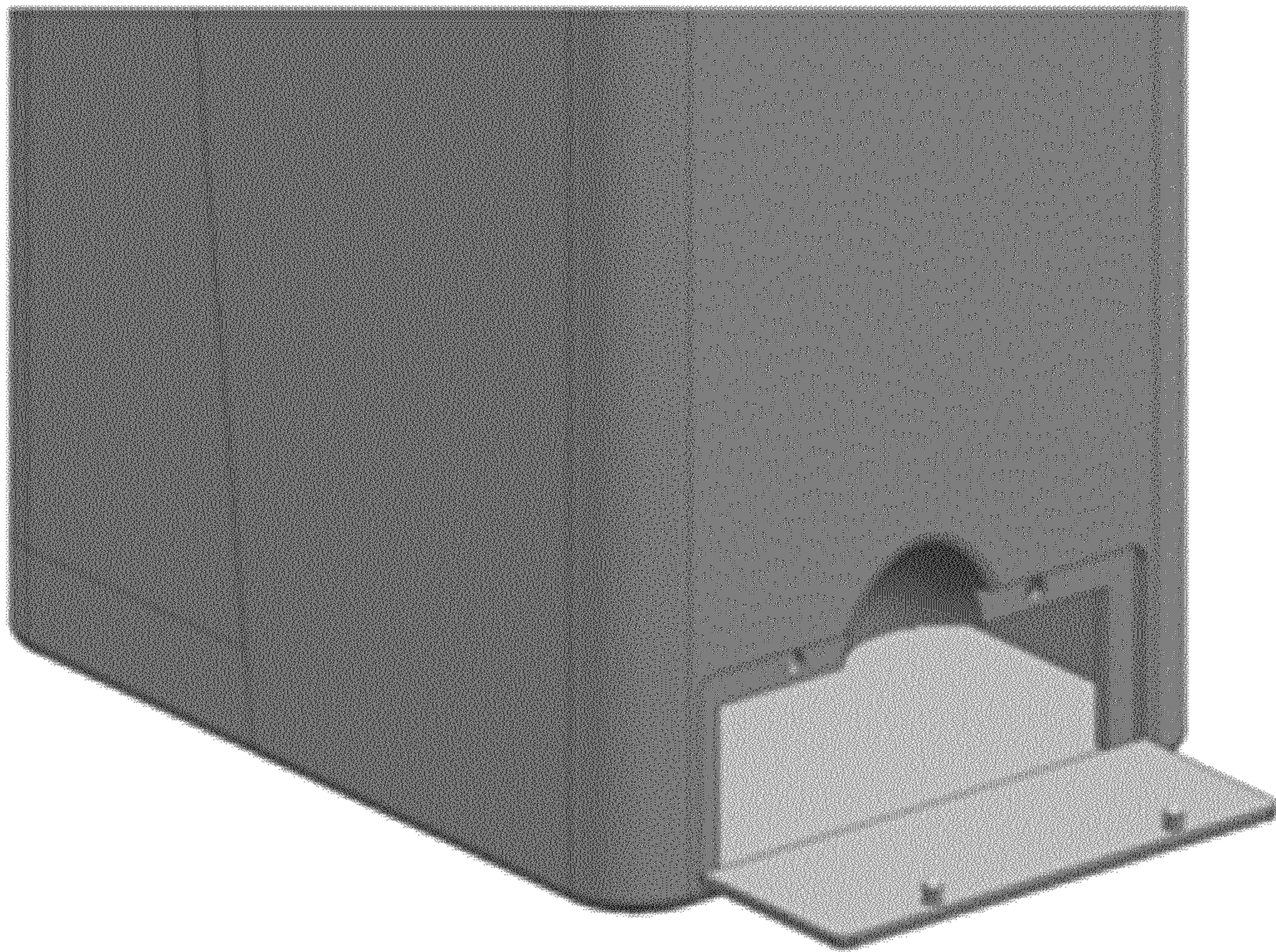


FIG. 5

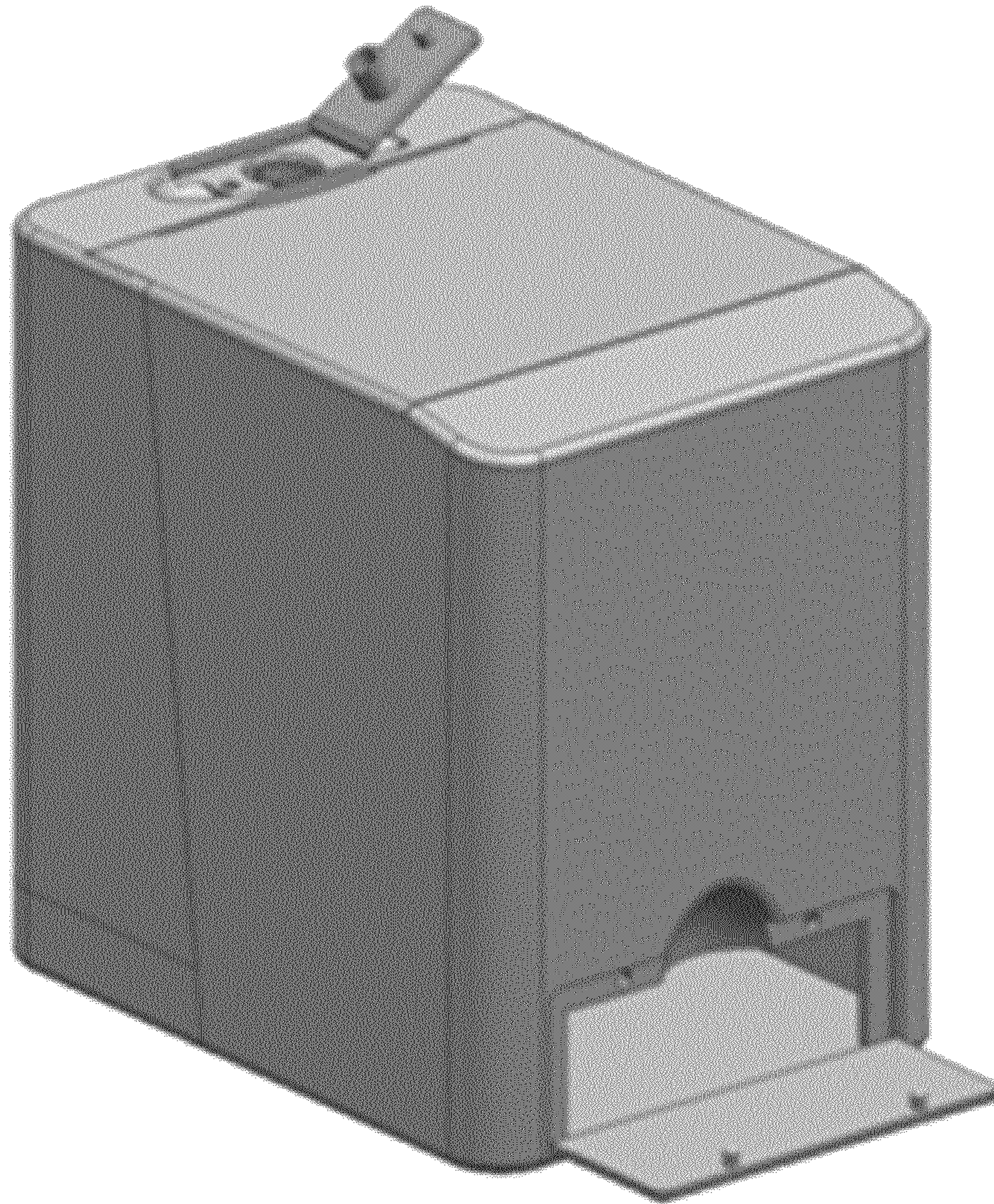


FIG. 6