

US00D699841S

(12) **United States Design Patent**  
**Lombardi, III et al.**

(10) **Patent No.:** **US D699,841 S**  
(45) **Date of Patent:** **\*\* Feb. 18, 2014**

(54) **FEMALE BODY OF CONNECTOR FOR FLUID TUBING**

(75) Inventors: **Francis J. Lombardi, III**, Loveland, CO (US); **Ravikumar Narayanan**, Fort Collins, CO (US); **Raymond L. Townsend**, Johnstown, CO (US)

(73) Assignee: **Nordson Corporation**, Westlake, OH (US)

(\*\*) Term: **14 Years**

(21) Appl. No.: **29/398,440**

(22) Filed: **Jul. 29, 2011**

(51) **LOC (10) Cl.** ..... **24-02**

(52) **U.S. Cl.**  
USPC ..... **D24/129**

(58) **Field of Classification Search**  
USPC ..... D24/108–110.5, 127–130; 604/905, 604/533, 544, 408, 538, 43; 285/304–321  
See application file for complete search history.

(56) **References Cited**

**U.S. PATENT DOCUMENTS**

|           |         |                |
|-----------|---------|----------------|
| 163,261 A | 5/1875  | Ruppenthal     |
| 185,896 A | 1/1877  | Curtis         |
| 187,982 A | 3/1877  | Pirsson et al. |
| 200,944 A | 3/1878  | Smith          |
| 235,580 A | 12/1880 | Smith et al.   |
| 327,509 A | 10/1885 | Aldridge       |
| 584,008 A | 6/1887  | Munson         |
| 465,868 A | 12/1891 | List           |
| 725,421 A | 4/1903  | Dinkins        |
| 727,982 A | 5/1903  | Ludwig         |
| 874,957 A | 12/1907 | Godley         |

(Continued)

**FOREIGN PATENT DOCUMENTS**

|    |         |        |
|----|---------|--------|
| BE | 479098  | 1/1948 |
| DE | 1868896 | 3/1963 |

(Continued)

**OTHER PUBLICATIONS**

About Us [online], Thuro Metal Products [retrieved on Apr. 9, 2010], retrieved from the Internet: <URL: <http://www.thurometal.com/about.html>>, 2 pages.

(Continued)

*Primary Examiner* — David Muller

(74) *Attorney, Agent, or Firm* — Dorsey & Whitney LLP

(57) **CLAIM**

We claim the ornamental design for a female body of a connector for fluid tubing, as shown and described.

**DESCRIPTION**

This application is related to U.S. design patent application Ser. No. 29/398,433 filed 29 Jul. 2011 entitled “Connector for fluid tubing” and U.S. design patent application Ser. No. 29/398,437 filed 29 Jul. 2011 entitled “Male body of connector for fluid tubing.”

FIG. 1 is a top-left isometric view of a female body of a connector for fluid tubing.

FIG. 2 is a left side elevation view of the female body of FIG. 1.

FIG. 3 is a right side elevation view of the female body of FIG. 1.

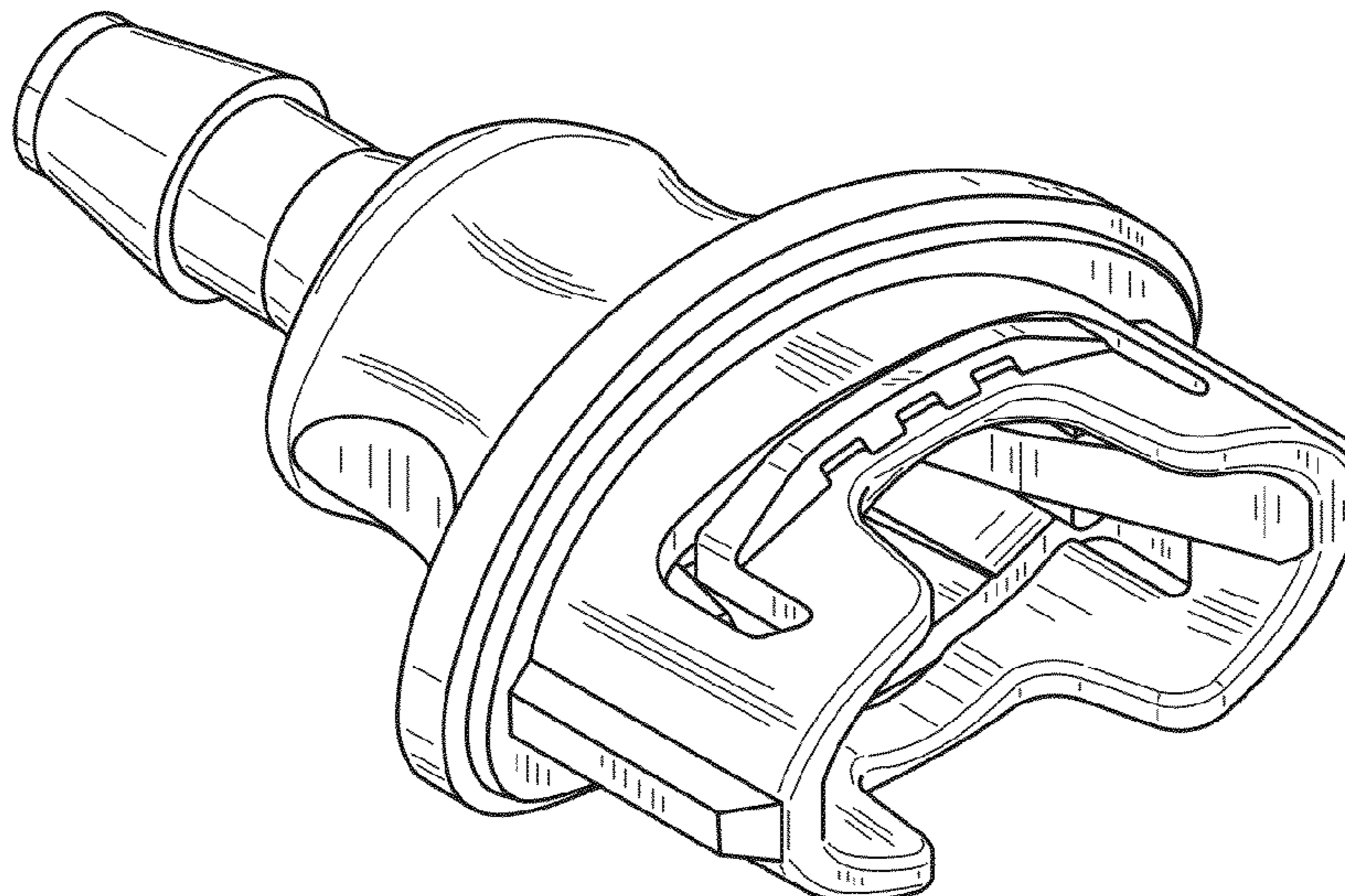
FIG. 4 is a front elevation view of the female body of FIG. 1.

FIG. 5 is a rear elevation view of the female body of FIG. 1.

FIG. 6 is a top plan view of the female body of FIG. 1.

FIG. 7 is a bottom plan view of the female body of FIG. 1; and, FIG. 8 is a cross-section view of the female body of FIG. 1 viewed along line 8-8 in FIG. 6.

**1 Claim, 5 Drawing Sheets**



(56)

## References Cited

## U.S. PATENT DOCUMENTS

|             |         |                 |             |         |                          |
|-------------|---------|-----------------|-------------|---------|--------------------------|
| 884,461 A   | 4/1908  | Browne          | 3,217,771 A | 11/1965 | Beall et al.             |
| 909,131 A   | 1/1909  | Antic           | 3,227,380 A | 1/1966  | Pinkston                 |
| 951,889 A   | 3/1910  | Teuer           | 3,237,974 A | 3/1966  | Press                    |
| D42,368 S   | 3/1912  | Mossberg        | 3,245,703 A | 4/1966  | Manly                    |
| 1,029,819 A | 6/1912  | Nylander        | 3,276,799 A | 10/1966 | Moore et al.             |
| 1,033,187 A | 7/1912  | Metzger         | 3,279,497 A | 10/1966 | Norton et al.            |
| 1,039,354 A | 9/1912  | Bonadio         | 3,314,696 A | 4/1967  | Ferguson et al.          |
| 1,077,417 A | 11/1913 | McCracken       | 3,317,214 A | 5/1967  | Durgom                   |
| 1,078,112 A | 11/1913 | Storm           | D209,166 S  | 11/1967 | Hunt                     |
| 1,115,945 A | 11/1914 | Kunz            | D209,168 S  | 11/1967 | Hunt                     |
| 1,193,446 A | 8/1916  | Wells           | 3,352,576 A | 11/1967 | Thomas                   |
| 1,239,345 A | 9/1917  | Brown           | 3,382,892 A | 5/1968  | Cerbin                   |
| 1,255,847 A | 2/1918  | Arkin           | 3,403,930 A | 10/1968 | Bernier                  |
| 1,259,684 A | 3/1918  | Vinten          | 3,432,176 A | 3/1969  | Valenziano               |
| 1,489,310 A | 4/1924  | Critchlow       | 3,448,760 A | 6/1969  | Cranage                  |
| 1,526,218 A | 2/1925  | Johnson         | 3,450,424 A | 6/1969  | Calisher                 |
| 1,578,504 A | 3/1926  | Bronson et al.  | 3,512,808 A | 5/1970  | Graham                   |
| 1,587,079 A | 6/1926  | Machino         | 3,523,701 A | 8/1970  | Graham                   |
| 1,767,073 A | 6/1930  | Ingold          | 3,538,940 A | 11/1970 | Graham                   |
| 1,863,360 A | 6/1932  | Weatherhead     | 3,542,338 A | 11/1970 | Scaramucci               |
| 1,950,947 A | 3/1934  | Mulroyan        | 3,545,490 A | 12/1970 | Burrus                   |
| 2,023,428 A | 12/1935 | Liebhardt       | 3,550,626 A | 12/1970 | Daniels et al.           |
| 2,056,524 A | 10/1936 | Johnson         | 3,560,027 A | 2/1971  | Graham                   |
| 2,066,473 A | 1/1937  | Jorgensen       | 3,563,265 A | 2/1971  | Graham                   |
| 2,097,628 A | 11/1937 | Liebhardt       | 3,574,314 A | 4/1971  | Quercia                  |
| 2,099,335 A | 11/1937 | Hansen          | 3,588,149 A | 6/1971  | Demler                   |
| 2,108,714 A | 2/1938  | Hirsch et al.   | 3,596,933 A | 8/1971  | Luckenbill               |
| 2,116,705 A | 5/1938  | Marx et al.     | 3,599,843 A | 8/1971  | Johnston                 |
| 2,139,745 A | 12/1938 | Goodall         | 3,600,917 A | 8/1971  | Krock                    |
| 2,147,355 A | 2/1939  | Scholtes        | 3,649,050 A | 3/1972  | Woodling                 |
| 2,159,116 A | 5/1939  | Zacharias       | 3,666,297 A | 5/1972  | Marks                    |
| 2,211,147 A | 8/1940  | Miller          | 3,690,336 A | 9/1972  | Drum                     |
| 2,257,321 A | 9/1941  | Arnold          | 3,712,583 A | 1/1973  | Martindale et al.        |
| 2,263,293 A | 11/1941 | Ewald           | 3,747,964 A | 7/1973  | Nilsen                   |
| 2,264,815 A | 12/1941 | Thomsen         | 3,750,238 A | 8/1973  | Tanner                   |
| 2,340,119 A | 1/1944  | Graham          | 3,815,887 A | 6/1974  | Curtis et al.            |
| 2,346,445 A | 4/1944  | Merker et al.   | 3,817,561 A | 6/1974  | Kay                      |
| 2,352,728 A | 7/1944  | Merker et al.   | 3,829,135 A | 8/1974  | Forni                    |
| 2,429,782 A | 10/1947 | Versoy          | 3,876,234 A | 4/1975  | Harms                    |
| 2,432,946 A | 12/1947 | Theunissen      | 3,889,710 A | 6/1975  | Brost                    |
| 2,470,800 A | 5/1949  | Ashton          | 3,899,200 A | 8/1975  | Gamble                   |
| 2,479,499 A | 8/1949  | Le Clair        | 3,921,656 A | 11/1975 | Meisenheimer, Jr. et al. |
| 2,500,720 A | 3/1950  | Van der Heem    | 3,979,934 A | 9/1976  | Isenmann                 |
| 2,507,536 A | 5/1950  | Goodson         | 3,990,674 A | 11/1976 | Schattenberg             |
| 2,516,583 A | 7/1950  | Moore           | 3,995,659 A | 12/1976 | Cantore                  |
| 2,535,740 A | 12/1950 | Knopp           | 4,025,049 A | 5/1977  | Schmidt                  |
| 2,577,009 A | 12/1951 | Frantz          | 4,039,213 A | 8/1977  | Walters                  |
| 2,626,974 A | 1/1953  | Howard et al.   | 4,072,330 A | 2/1978  | Brysch                   |
| 2,630,131 A | 3/1953  | Snyder          | 4,099,748 A | 7/1978  | Kavick                   |
| 2,661,018 A | 12/1953 | Snyder          | 4,113,627 A | 9/1978  | Leason                   |
| 2,701,147 A | 2/1955  | Summerville     | 4,116,476 A | 9/1978  | Porter et al.            |
| 2,722,399 A | 11/1955 | Oetiker         | 4,129,145 A | 12/1978 | Wynn                     |
| 2,753,195 A | 7/1956  | Palmer          | 4,142,546 A | 3/1979  | Sandau                   |
| 2,774,616 A | 12/1956 | Dodd et al.     | D252,470 S  | 7/1979  | Pawlak                   |
| 2,790,571 A | 4/1957  | Flaith et al.   | 4,181,149 A | 1/1980  | Cox                      |
| 2,864,628 A | 12/1958 | Edleson         | 4,182,519 A | 1/1980  | Wilson                   |
| 2,915,325 A | 12/1959 | Foster          | D254,505 S  | 3/1980  | Parsons et al.           |
| 2,926,934 A | 3/1960  | Gill            | 4,200,605 A | 4/1980  | Imamura                  |
| 2,931,668 A | 4/1960  | Baley           | D255,145 S  | 5/1980  | Nederman                 |
| 2,937,892 A | 5/1960  | Prescott, Jr.   | 4,220,360 A | 9/1980  | Jacek et al.             |
| 2,948,553 A | 8/1960  | Gill et al.     | D258,526 S  | 3/1981  | Nederman                 |
| 2,967,067 A | 1/1961  | Singer          | 4,253,687 A | 3/1981  | Maples                   |
| 2,991,090 A | 7/1961  | De Cenzo        | D259,278 S  | 5/1981  | McCaw                    |
| 3,017,203 A | 1/1962  | Macleod         | 4,271,865 A | 6/1981  | Galloway et al.          |
| 3,037,497 A | 6/1962  | Roberson        | 4,282,175 A | 8/1981  | Volgstadt et al.         |
| 3,046,028 A | 7/1962  | Nathan          | 4,287,644 A | 9/1981  | Durand                   |
| 3,048,415 A | 8/1962  | Shook           | 4,294,285 A | 10/1981 | Joslyn                   |
| 3,073,342 A | 1/1963  | Magorien        | 4,296,949 A | 10/1981 | Muetteties et al.        |
| 3,078,068 A | 2/1963  | Romney          | 4,319,774 A | 3/1982  | Kavick                   |
| D196,473 S  | 10/1963 | Hill            | 4,330,010 A | 5/1982  | Drescher et al.          |
| 3,124,157 A | 3/1964  | Krzewina        | 4,330,142 A | 5/1982  | Paini                    |
| 3,129,020 A | 4/1964  | Bujnowski       | 4,331,175 A | 5/1982  | Brake et al.             |
| 3,171,196 A | 3/1965  | Helitas         | 4,331,177 A | 5/1982  | Makishima                |
| 3,191,628 A | 6/1965  | Kirkwood et al. | 4,340,200 A | 7/1982  | Stegmeier                |
| 3,217,400 A | 11/1965 | Illesy et al.   | 4,345,786 A | 8/1982  | Egert                    |
|             |         |                 | 4,346,703 A | 8/1982  | Dennehey                 |
|             |         |                 | 4,351,351 A | 9/1982  | Flory et al.             |
|             |         |                 | 4,366,816 A | 1/1983  | Bayard et al.            |
|             |         |                 | 4,393,548 A | 7/1983  | Herb                     |



(56)

## References Cited

## U.S. PATENT DOCUMENTS

|             |         |                    |             |         |                       |
|-------------|---------|--------------------|-------------|---------|-----------------------|
| 4,397,442 A | 8/1983  | Larkin             | 5,033,777 A | 7/1991  | Blenkush              |
| 4,407,526 A | 10/1983 | Cicenas            | D319,312 S  | 8/1991  | Schneider             |
| 4,431,031 A | 2/1984  | Ettlinger          | 5,052,725 A | 10/1991 | Meyer et al.          |
| 4,431,218 A | 2/1984  | Paul               | 5,074,601 A | 12/1991 | Spors et al.          |
| 4,434,121 A | 2/1984  | Schaper            | 5,076,615 A | 12/1991 | Sampson               |
| 4,436,125 A | 3/1984  | Blenkush           | 5,078,429 A | 1/1992  | Braut et al.          |
| 4,437,689 A | 3/1984  | Goebel et al.      | 5,085,472 A | 2/1992  | Guest                 |
| 4,439,188 A | 3/1984  | Dennehey           | 5,090,448 A | 2/1992  | Truchet               |
| 4,458,719 A | 7/1984  | Strybel            | 5,090,747 A | 2/1992  | Kotake                |
| 4,489,914 A | 12/1984 | Stevenson et al.   | 5,094,482 A | 3/1992  | Petty et al.          |
| 4,489,961 A | 12/1984 | Laidig             | 5,104,158 A | 4/1992  | Meyer et al.          |
| 4,500,118 A | 2/1985  | Blenkush           | 5,106,127 A | 4/1992  | Briet                 |
| 4,527,745 A | 7/1985  | Butterfield et al. | D326,155 S  | 5/1992  | Boehringer et al.     |
| 4,541,457 A | 9/1985  | Blenkush           | 5,110,163 A | 5/1992  | Benson et al.         |
| 4,541,657 A | 9/1985  | Smyth              | 5,112,084 A | 5/1992  | Washizu               |
| 4,553,587 A | 11/1985 | Traylor            | 5,114,250 A | 5/1992  | Usui                  |
| D282,962 S  | 3/1986  | Gerber             | D326,715 S  | 6/1992  | Schmidt               |
| 4,580,816 A | 4/1986  | Campbell et al.    | 5,123,677 A | 6/1992  | Kreczko et al.        |
| 4,603,888 A | 8/1986  | Goodall et al.     | 5,143,381 A | 9/1992  | Temple                |
| 4,603,890 A | 8/1986  | Huppee             | 5,160,177 A | 11/1992 | Washizu               |
| 4,613,112 A | 9/1986  | Philipot et al.    | 5,160,474 A | 11/1992 | Huff                  |
| 4,616,859 A | 10/1986 | Brunet             | 5,165,733 A | 11/1992 | Sampson               |
| 4,626,001 A | 12/1986 | Lee                | 5,169,161 A | 12/1992 | Jones                 |
| 4,630,847 A | 12/1986 | Blenkush           | D332,482 S  | 1/1993  | Petty et al.          |
| 4,632,436 A | 12/1986 | Kimura             | 5,176,406 A | 1/1993  | Straghan              |
| 4,635,972 A | 1/1987  | Lyll               | 5,178,303 A | 1/1993  | Blenkush et al.       |
| 4,645,245 A | 2/1987  | Cunningham         | 5,181,752 A | 1/1993  | Benson et al.         |
| 4,658,326 A | 4/1987  | Clark et al.       | D333,178 S  | 2/1993  | Novy                  |
| 4,659,116 A | 4/1987  | Cameron            | 5,190,224 A | 3/1993  | Hamilton              |
| 4,694,544 A | 9/1987  | Chapman            | 5,222,279 A | 6/1993  | Frano et al.          |
| 4,699,298 A | 10/1987 | Grant et al.       | 5,228,724 A | 7/1993  | Godeau                |
| 4,700,926 A | 10/1987 | Hansen             | 5,232,020 A | 8/1993  | Mason et al.          |
| 4,703,957 A | 11/1987 | Blenkush           | D339,417 S  | 9/1993  | Sampson et al.        |
| 4,706,847 A | 11/1987 | Sankey et al.      | 5,251,025 A | 10/1993 | Cooper et al.         |
| 4,712,280 A | 12/1987 | Fildan             | 5,273,053 A | 12/1993 | Pohndorf              |
| 4,733,890 A | 3/1988  | Vyse               | 5,297,826 A | 3/1994  | Percebois et al.      |
| 4,738,401 A | 4/1988  | Filicchia          | 5,316,041 A | 5/1994  | Ramacier, Jr. et al.  |
| 4,753,268 A | 6/1988  | Palau              | 5,318,332 A | 6/1994  | Hohmann et al.        |
| 4,768,558 A | 9/1988  | Weber              | 5,330,235 A | 7/1994  | Wagner et al.         |
| 4,776,067 A | 10/1988 | Sorensen           | 5,348,051 A | 9/1994  | Kallenbach            |
| 4,790,567 A | 12/1988 | Kawano et al.      | 5,348,354 A | 9/1994  | Badoureaux            |
| 4,790,569 A | 12/1988 | Chaffee            | 5,353,836 A | 10/1994 | deCler et al.         |
| 4,792,115 A | 12/1988 | Jindra et al.      | 5,356,183 A | 10/1994 | Cole                  |
| 4,793,637 A | 12/1988 | Laipply et al.     | 5,374,088 A | 12/1994 | Moretti et al.        |
| 4,806,123 A | 2/1989  | Konishi et al.     | 5,385,311 A | 1/1995  | Morikawa et al.       |
| D300,361 S  | 3/1989  | Tokarz             | 5,385,331 A | 1/1995  | Allread et al.        |
| 4,824,148 A | 4/1989  | Grabowski          | D357,307 S  | 4/1995  | Ramacier, Jr. et al.  |
| 4,827,921 A | 5/1989  | Rugheimer          | 5,405,333 A | 4/1995  | Richmond              |
| 4,832,237 A | 5/1989  | Hurford, Jr.       | 5,405,339 A | 4/1995  | Kohnen et al.         |
| 4,834,423 A | 5/1989  | DeLand             | 5,405,340 A | 4/1995  | Fageol et al.         |
| 4,844,512 A | 7/1989  | Gahwiler           | 5,411,300 A | 5/1995  | Mitsui                |
| 4,863,201 A | 9/1989  | Carstens           | 5,417,442 A | 5/1995  | Jornhagen             |
| 4,863,202 A | 9/1989  | Oldford            | 5,421,622 A | 6/1995  | Godeau                |
| 4,896,402 A | 1/1990  | Jansen et al.      | 5,437,650 A | 8/1995  | Larkin et al.         |
| 4,900,065 A | 2/1990  | Houck              | 5,462,313 A | 10/1995 | Rea et al.            |
| 4,903,995 A | 2/1990  | Blenkush et al.    | 5,494,074 A | 2/1996  | Ramacier, Jr. et al.  |
| 4,923,228 A | 5/1990  | Laipply et al.     | D369,409 S  | 4/1996  | Salter                |
| 4,928,859 A | 5/1990  | Krahn et al.       | 5,507,733 A | 4/1996  | Larkin et al.         |
| 4,928,999 A | 5/1990  | Landriault et al.  | 5,511,527 A | 4/1996  | Lorraine et al.       |
| 4,934,655 A | 6/1990  | Blenkush et al.    | D372,093 S  | 7/1996  | Sampson et al.        |
| 4,935,992 A | 6/1990  | Due                | 5,536,258 A | 7/1996  | Folden                |
| 4,946,200 A | 8/1990  | Blenkush et al.    | 5,542,712 A | 8/1996  | Klinger et al.        |
| 4,946,204 A | 8/1990  | Boticki            | 5,547,166 A | 8/1996  | Engdahl               |
| 4,949,745 A | 8/1990  | McKeon             | 5,547,230 A | 8/1996  | Bank et al.           |
| 4,966,398 A | 10/1990 | Peterson           | 5,553,895 A | 9/1996  | Karl et al.           |
| 4,969,879 A | 11/1990 | Lichte             | D375,160 S  | 10/1996 | Sampson et al.        |
| D313,067 S  | 12/1990 | Kotake et al.      | 5,568,946 A | 10/1996 | Jackowski             |
| D313,277 S  | 12/1990 | Haining            | 5,595,217 A | 1/1997  | Gillen et al.         |
| D314,050 S  | 1/1991  | Sone               | 5,601,317 A | 2/1997  | Crouse et al.         |
| D314,233 S  | 1/1991  | Medvick            | 5,607,190 A | 3/1997  | Exandier et al.       |
| 4,982,736 A | 1/1991  | Schneider          | 5,617,609 A | 4/1997  | Bently                |
| 4,991,880 A | 2/1991  | Bernart            | 5,620,025 A | 4/1997  | Lewin                 |
| 5,009,252 A | 4/1991  | Faughn             | 5,628,726 A | 5/1997  | Cotter                |
| 5,015,014 A | 5/1991  | Sweeney            | D380,262 S  | 6/1997  | Van Funderburk et al. |
| 5,029,908 A | 7/1991  | Belisaire          | 5,639,064 A | 6/1997  | deCler et al.         |
|             |         |                    | D382,639 S  | 8/1997  | Musgrave et al.       |
|             |         |                    | D384,731 S  | 10/1997 | Ramacier, Jr. et al.  |
|             |         |                    | 5,681,062 A | 10/1997 | Fukao et al.          |
|             |         |                    | 5,682,662 A | 11/1997 | Coules et al.         |



(56)

## References Cited

## U.S. PATENT DOCUMENTS

|           |    |         |                       |           |    |         |                     |
|-----------|----|---------|-----------------------|-----------|----|---------|---------------------|
| 5,683,117 | A  | 11/1997 | Corbett et al.        | 6,257,626 | B1 | 7/2001  | Campau              |
| D387,147  | S  | 12/1997 | Vandermast et al.     | 6,260,851 | B1 | 7/2001  | Baron               |
| 5,692,783 | A  | 12/1997 | Watanabe et al.       | 6,261,282 | B1 | 7/2001  | Jepson et al.       |
| 5,695,223 | A  | 12/1997 | Boticki               | 6,293,596 | B1 | 9/2001  | Kinder              |
| D388,876  | S  | 1/1998  | Sampson               | 6,296,796 | B1 | 10/2001 | Gordon              |
| 5,709,244 | A  | 1/1998  | Patriquin et al.      | 6,302,147 | B1 | 10/2001 | Rose et al.         |
| 5,725,258 | A  | 3/1998  | Kujawski              | 6,318,764 | B1 | 11/2001 | Trede et al.        |
| 5,737,810 | A  | 4/1998  | Krauss                | 6,344,033 | B1 | 2/2002  | Jepson et al.       |
| 5,745,957 | A  | 5/1998  | Khokhar et al.        | 6,382,593 | B1 | 5/2002  | deCler et al.       |
| 5,746,414 | A  | 5/1998  | Weldon et al.         | D459,206  | S  | 6/2002  | Caveney et al.      |
| 5,762,646 | A  | 6/1998  | Cotter                | 6,402,207 | B1 | 6/2002  | Segal et al.        |
| 5,784,750 | A  | 7/1998  | Sankovic et al.       | 6,422,574 | B1 | 7/2002  | Mooklar             |
| 5,799,987 | A  | 9/1998  | Sampson               | 6,423,053 | B1 | 7/2002  | Lee                 |
| 5,820,614 | A  | 10/1998 | Erskine et al.        | 6,439,620 | B1 | 8/2002  | Guest               |
| 5,837,180 | A  | 11/1998 | Linder et al.         | 6,454,314 | B1 | 9/2002  | Grosspietsch et al. |
| 5,845,943 | A  | 12/1998 | Ramacier, Jr. et al.  | 6,481,758 | B1 | 11/2002 | Andre et al.        |
| 5,855,568 | A  | 1/1999  | Battiato et al.       | 6,481,759 | B1 | 11/2002 | Kawasaki et al.     |
| 5,879,033 | A  | 3/1999  | Hansel et al.         | 6,485,064 | B1 | 11/2002 | Davidson            |
| 5,882,047 | A  | 3/1999  | Ostrander et al.      | 6,485,483 | B1 | 11/2002 | Fujii               |
| 5,884,531 | A  | 3/1999  | Koenig                | 6,505,866 | B1 | 1/2003  | Nakamura et al.     |
| D407,803  | S  | 4/1999  | Redman                | 6,508,807 | B1 | 1/2003  | Peters              |
| 5,897,142 | A  | 4/1999  | Kulevsky              | 6,520,546 | B2 | 2/2003  | Szabo               |
| 5,911,367 | A  | 6/1999  | McInerney             | D471,261  | S  | 3/2003  | Kozu                |
| 5,911,403 | A  | 6/1999  | deCler et al.         | 6,540,263 | B1 | 4/2003  | Sausner             |
| 5,911,404 | A  | 6/1999  | Cheng                 | 6,543,745 | B1 | 4/2003  | Enerson             |
| 5,930,424 | A  | 7/1999  | Heimberger et al.     | 6,595,964 | B2 | 7/2003  | Finley et al.       |
| 5,937,501 | A  | 8/1999  | Imgram                | 6,609,696 | B2 | 8/2003  | Enerson             |
| 5,938,244 | A  | 8/1999  | Meyer                 | 6,612,634 | B1 | 9/2003  | Zoppas              |
| 5,941,577 | A  | 8/1999  | Musellec              | 6,626,419 | B2 | 9/2003  | DeCler et al.       |
| 5,942,730 | A  | 8/1999  | Schwarz et al.        | 6,626,465 | B2 | 9/2003  | Lacroix et al.      |
| D413,967  | S  | 9/1999  | Yuen                  | D481,125  | S  | 10/2003 | Hayamizu            |
| 5,957,898 | A  | 9/1999  | Jepson et al.         | 6,641,177 | B1 | 11/2003 | Pinciario           |
| 5,961,157 | A  | 10/1999 | Baron et al.          | 6,649,829 | B2 | 11/2003 | Garber et al.       |
| 5,964,485 | A  | 10/1999 | Hame et al.           | 6,652,007 | B1 | 11/2003 | Hwang               |
| 5,965,077 | A  | 10/1999 | Rowley et al.         | D484,241  | S  | 12/2003 | Peters et al.       |
| 5,975,489 | A  | 11/1999 | deCler et al.         | 6,669,681 | B2 | 12/2003 | Jepson et al.       |
| 5,984,378 | A  | 11/1999 | Ostrander et al.      | 6,676,172 | B2 | 1/2004  | Alksnis             |
| 5,988,704 | A  | 11/1999 | Ryhman                | D486,909  | S  | 2/2004  | Cise et al.         |
| 6,012,743 | A  | 1/2000  | Godeau et al.         | 6,688,654 | B2 | 2/2004  | Romero              |
| 6,015,171 | A  | 1/2000  | Schorn                | 6,692,038 | B2 | 2/2004  | Braun               |
| D419,861  | S  | 2/2000  | Khokhar               | 6,695,817 | B1 | 2/2004  | Fangrow             |
| 6,019,348 | A  | 2/2000  | Powell                | 6,705,591 | B2 | 3/2004  | deCler              |
| 6,024,124 | A  | 2/2000  | Braun et al.          | 6,722,705 | B2 | 4/2004  | Korkor              |
| 6,029,701 | A  | 2/2000  | Chaffardon et al.     | 6,722,708 | B2 | 4/2004  | Morohoshi et al.    |
| 6,032,691 | A  | 3/2000  | Powell et al.         | 6,762,365 | B2 | 7/2004  | Inoue et al.        |
| 6,041,805 | A  | 3/2000  | Gydesen et al.        | 6,767,017 | B2 | 7/2004  | Crapart et al.      |
| D422,487  | S  | 4/2000  | Khokhar               | D495,050  | S  | 8/2004  | Guala               |
| 6,050,297 | A  | 4/2000  | Ostrowski et al.      | 6,783,520 | B1 | 8/2004  | Candray et al.      |
| 6,076,234 | A  | 6/2000  | Khokhar et al.        | D497,428  | S  | 10/2004 | Hayamizu            |
| 6,077,245 | A  | 6/2000  | Heinrich et al.       | 6,799,747 | B1 | 10/2004 | Lai                 |
| 6,077,259 | A  | 6/2000  | Caizza et al.         | D498,533  | S  | 11/2004 | Hayamizu            |
| 6,082,401 | A  | 7/2000  | Braun et al.          | 6,814,726 | B1 | 11/2004 | Lauer               |
| 6,086,044 | A  | 7/2000  | Guest                 | 6,840,277 | B1 | 1/2005  | Nimberger           |
| 6,089,540 | A  | 7/2000  | Heinrichs et al.      | 6,846,021 | B2 | 1/2005  | Rohde et al.        |
| 6,099,045 | A  | 8/2000  | Pirona                | 6,848,602 | B2 | 2/2005  | deCler et al.       |
| 6,112,855 | A  | 9/2000  | Camacho et al.        | 6,848,723 | B2 | 2/2005  | Lamich              |
| 6,123,690 | A  | 9/2000  | Mejslov               | 6,863,314 | B2 | 3/2005  | Guest               |
| 6,135,150 | A  | 10/2000 | Powell et al.         | 6,871,669 | B2 | 3/2005  | Meyer et al.        |
| 6,135,992 | A  | 10/2000 | Wang                  | 6,871,878 | B2 | 3/2005  | Miros               |
| 6,142,538 | A  | 11/2000 | Volgstadt et al.      | D503,778  | S  | 4/2005  | Wicks               |
| 6,145,896 | A  | 11/2000 | Vitel et al.          | 6,886,803 | B2 | 5/2005  | Mikiya et al.       |
| 6,152,914 | A  | 11/2000 | Van De Kerkhof et al. | 6,897,374 | B2 | 5/2005  | Garber et al.       |
| 6,155,610 | A  | 12/2000 | Godeau et al.         | 6,899,315 | B2 | 5/2005  | Maiville et al.     |
| 6,161,578 | A  | 12/2000 | Braun et al.          | 6,902,144 | B2 | 6/2005  | deCler              |
| 6,176,523 | B1 | 1/2001  | Winslett              | D507,647  | S  | 7/2005  | Beck et al.         |
| 6,182,694 | B1 | 2/2001  | Sievers et al.        | 6,916,007 | B2 | 7/2005  | deCler et al.       |
| 6,189,560 | B1 | 2/2001  | Reynolds              | 6,916,050 | B2 | 7/2005  | Milhas              |
| 6,199,915 | B1 | 3/2001  | Becker                | 6,926,311 | B2 | 8/2005  | Chang et al.        |
| 6,199,919 | B1 | 3/2001  | Kawasaki et al.       | 6,929,246 | B2 | 8/2005  | Arzenton et al.     |
| 6,199,920 | B1 | 3/2001  | Neustadtl             | 6,945,273 | B2 | 9/2005  | Reid                |
| 6,206,028 | B1 | 3/2001  | Holden et al.         | 6,949,084 | B2 | 9/2005  | Marggi et al.       |
| 6,221,064 | B1 | 4/2001  | Nadal                 | 6,962,275 | B2 | 11/2005 | deCler et al.       |
| 6,231,089 | B1 | 5/2001  | DeCler et al.         | 6,978,800 | B2 | 12/2005 | deCler et al.       |
| D444,054  | S  | 6/2001  | Bernard et al.        | 6,981,547 | B2 | 1/2006  | Maguire et al.      |
| 6,250,688 | B1 | 6/2001  | Kirby                 | 6,997,486 | B2 | 2/2006  | Milhas              |
|           |    |         |                       | 6,997,919 | B2 | 2/2006  | Olsen et al.        |
|           |    |         |                       | 7,005,581 | B2 | 2/2006  | Burnette            |
|           |    |         |                       | 7,011,342 | B2 | 3/2006  | Guivarc'h et al.    |
|           |    |         |                       | 7,014,214 | B2 | 3/2006  | Kaneko              |



(56)

References Cited

U.S. PATENT DOCUMENTS

|              |         |                      |                 |         |                                 |
|--------------|---------|----------------------|-----------------|---------|---------------------------------|
| D522,109 S   | 5/2006  | White et al.         | 7,954,374 B2    | 6/2011  | Rankin                          |
| 7,040,670 B2 | 5/2006  | Madden               | 7,954,515 B2    | 6/2011  | Gerst                           |
| 7,044,161 B2 | 5/2006  | Tiberghien           | D642,244 S      | 7/2011  | Wilhelm                         |
| 7,044,506 B2 | 5/2006  | Dong                 | 7,976,071 B2    | 7/2011  | Bibby                           |
| D523,553 S   | 6/2006  | Beck et al.          | D645,547 S      | 9/2011  | Lombardi, III et al.            |
| 7,080,665 B2 | 7/2006  | Whall                | D649,240 S      | 11/2011 | Lewis et al.                    |
| 7,081,223 B2 | 7/2006  | Khoury               | D650,478 S      | 12/2011 | Lewis                           |
| 7,108,297 B2 | 9/2006  | Takayanagi et al.    | D652,510 S      | 1/2012  | Lombardi, III et al.            |
| 7,118,138 B1 | 10/2006 | Rowley et al.        | D652,511 S      | 1/2012  | Lombardi, III et al.            |
| 7,128,348 B2 | 10/2006 | Kawamura et al.      | D654,573 S      | 2/2012  | Lombardi, III et al.            |
| 7,137,654 B2 | 11/2006 | Segal et al.         | 8,113,546 B2    | 2/2012  | Jensen et al.                   |
| 7,140,592 B2 | 11/2006 | Phillips             | D655,393 S      | 3/2012  | Whitaker                        |
| 7,147,252 B2 | 12/2006 | Teuscher et al.      | D661,388 S *    | 6/2012  | Clark ..... D24/130             |
| 7,150,478 B2 | 12/2006 | Poirier et al.       | 8,235,971 B2 *  | 8/2012  | Christensen et al. .... 604/533 |
| 7,153,296 B2 | 12/2006 | Mitchell             | 8,282,134 B2 *  | 10/2012 | Cavagna ..... 285/319           |
| 7,163,022 B2 | 1/2007  | Whall                | 8,287,518 B2 *  | 10/2012 | Kitani et al. .... 604/533      |
| D540,944 S   | 4/2007  | Guala                | 8,348,928 B2 *  | 1/2013  | Guala ..... 604/533             |
| 7,210,917 B2 | 5/2007  | Lai et al.           | 8,357,142 B2 *  | 1/2013  | Romero ..... 604/533            |
| D547,446 S   | 7/2007  | Racz et al.          | 8,372,059 B2 *  | 2/2013  | Ziman ..... 604/533             |
| D550,355 S   | 9/2007  | Racz et al.          | 8,419,714 B2 *  | 4/2013  | Webler et al. .... 604/533      |
| D557,409 S   | 12/2007 | Veliss et al.        | D682,422 S *    | 5/2013  | Anderson et al. .... D24/130    |
| 7,316,428 B2 | 1/2008  | Takayanagi et al.    | 8,454,059 B2 *  | 6/2013  | Stell ..... 285/319             |
| D564,660 S   | 3/2008  | Hayashi              | 8,469,405 B2 *  | 6/2013  | Wheatley et al. .... 285/314    |
| 7,343,931 B2 | 3/2008  | Packham              | 8,486,049 B2 *  | 7/2013  | Guala ..... 604/533             |
| D567,340 S   | 4/2008  | Tiberghien           | 8,500,715 B2 *  | 8/2013  | Racz et al. .... 604/533        |
| 7,352,771 B2 | 4/2008  | Garber               | 2001/0017466 A1 | 8/2001  | Braun                           |
| D569,507 S   | 5/2008  | Blanchard            | 2002/0022762 A1 | 2/2002  | Beane et al.                    |
| D569,955 S   | 5/2008  | Chen                 | 2002/0070547 A1 | 6/2002  | Guertin                         |
| 7,377,553 B2 | 5/2008  | Takayanagi           | 2002/0093192 A1 | 7/2002  | Matkovich                       |
| D570,457 S   | 6/2008  | Brown                | 2002/0140172 A1 | 10/2002 | Platusich                       |
| 7,390,029 B2 | 6/2008  | Matsubara            | 2002/0156344 A1 | 10/2002 | Pasricha et al.                 |
| 7,394,375 B2 | 7/2008  | Johnson              | 2002/0185861 A1 | 12/2002 | Inoue                           |
| 7,434,842 B2 | 10/2008 | Schmidt              | 2003/0004397 A1 | 1/2003  | Kameya et al.                   |
| 7,434,846 B2 | 10/2008 | Baumgartner          | 2003/0067162 A1 | 4/2003  | Welsh et al.                    |
| 7,448,653 B2 | 11/2008 | Jensen et al.        | 2003/0193188 A1 | 10/2003 | Miros                           |
| 7,464,970 B2 | 12/2008 | Yamada et al.        | 2003/0230894 A1 | 12/2003 | Cleveland et al.                |
| 7,467,813 B2 | 12/2008 | Gunderson            | 2004/0021318 A1 | 2/2004  | Fritze et al.                   |
| 7,469,472 B2 | 12/2008 | DeCler et al.        | 2004/0056484 A1 | 3/2004  | Kwon et al.                     |
| 7,478,840 B2 | 1/2009  | Youssefifar          | 2004/0094903 A1 | 5/2004  | Sutherland                      |
| 7,488,446 B2 | 2/2009  | Meyer et al.         | 2004/0195830 A1 | 10/2004 | Gilmour                         |
| 7,494,156 B2 | 2/2009  | Okada                | 2004/0199143 A1 | 10/2004 | Lauer                           |
| 7,503,595 B2 | 3/2009  | McKay                | 2004/0227346 A1 | 11/2004 | Jamison et al.                  |
| 7,516,990 B2 | 4/2009  | Jamison et al.       | 2004/0232696 A1 | 11/2004 | Andre                           |
| 7,546,857 B2 | 6/2009  | Chadbourne et al.    | 2005/0033237 A1 | 2/2005  | Fentress et al.                 |
| 7,547,047 B2 | 6/2009  | deCler et al.        | 2005/0046184 A1 | 3/2005  | Chang                           |
| D595,845 S   | 7/2009  | Miros et al.         | 2005/0057042 A1 | 3/2005  | Wicks                           |
| D595,846 S   | 7/2009  | Racz et al.          | 2005/0082828 A1 | 4/2005  | Wicks et al.                    |
| D596,288 S   | 7/2009  | Racz et al.          | 2005/0087981 A1 | 4/2005  | Yamada et al.                   |
| D596,739 S   | 7/2009  | Ng et al.            | 2005/0209583 A1 | 9/2005  | Powers et al.                   |
| 7,562,906 B2 | 7/2009  | Schmidt              | 2005/0217265 A1 | 10/2005 | Popp et al.                     |
| 7,566,077 B2 | 7/2009  | Tsurumi              | 2005/0242579 A1 | 11/2005 | Bright et al.                   |
| 7,581,763 B2 | 9/2009  | Salomon-Bahls        | 2005/0275220 A1 | 12/2005 | Shu                             |
| D602,128 S   | 10/2009 | Williams et al.      | 2006/0066100 A1 | 3/2006  | Nakashima et al.                |
| 7,614,666 B2 | 11/2009 | Eggert et al.        | 2006/0152003 A1 | 7/2006  | Slunick et al.                  |
| 7,631,660 B2 | 12/2009 | deCler et al.        | 2006/0202146 A1 | 9/2006  | Doyle                           |
| 7,647,954 B2 | 1/2010  | Garber et al.        | 2006/0264814 A1 | 11/2006 | Sage                            |
| 7,666,178 B2 | 2/2010  | McMichael            | 2006/0293629 A1 | 12/2006 | Cote, Sr. et al.                |
| D612,019 S   | 3/2010  | Williams et al.      | 2007/0025811 A1 | 2/2007  | Wilhelm                         |
| D612,021 S   | 3/2010  | Schmidt              | 2007/0029795 A1 | 2/2007  | Moner et al.                    |
| 7,677,608 B2 | 3/2010  | Takayanagi           | 2007/0029796 A1 | 2/2007  | Bibby                           |
| D613,853 S   | 4/2010  | Ng et al.            | 2007/0106213 A1 | 5/2007  | Spera et al.                    |
| 7,695,020 B2 | 4/2010  | Schmidt              | 2007/0137718 A1 | 6/2007  | Rushlander et al.               |
| 7,708,025 B2 | 5/2010  | Johnson              | 2007/0169825 A1 | 7/2007  | Packham et al.                  |
| 7,731,244 B2 | 6/2010  | Miros et al.         | 2007/0209716 A1 | 9/2007  | Rankin                          |
| D619,706 S   | 7/2010  | Schon et al.         | 2007/0284875 A1 | 12/2007 | Salomon-Bahls et al.            |
| 7,770,939 B2 | 8/2010  | Jensen et al.        | 2008/0007051 A1 | 1/2008  | Jensen et al.                   |
| 7,806,139 B2 | 10/2010 | Packham et al.       | 2008/0011703 A1 | 1/2008  | Schmeisser et al.               |
| 7,841,357 B2 | 11/2010 | Rankin               | 2008/0012314 A1 | 1/2008  | Harger et al.                   |
| D629,894 S   | 12/2010 | Lombardi, III et al. | 2008/0018105 A1 | 1/2008  | Le Bars                         |
| 7,849,877 B2 | 12/2010 | Tan et al.           | 2008/0048448 A1 | 2/2008  | Jamison et al.                  |
| D630,320 S   | 1/2011  | Lombardi, III et al. | 2008/0078464 A1 | 4/2008  | Loewe                           |
| D632,783 S   | 2/2011  | Maesarapu            | 2008/0111371 A1 | 5/2008  | Feger et al.                    |
| 7,878,553 B2 | 2/2011  | Wicks et al.         | 2008/0111372 A1 | 5/2008  | Trede et al.                    |
| D634,840 S   | 3/2011  | Lombardi, III et al. | 2008/0129047 A1 | 6/2008  | Blivet et al.                   |
| D639,398 S   | 6/2011  | Wilhelm              | 2008/0164694 A1 | 7/2008  | Zdroik et al.                   |
|              |         |                      | 2008/0191466 A1 | 8/2008  | Knipple et al.                  |
|              |         |                      | 2008/0200901 A1 | 8/2008  | Rasmussen et al.                |
|              |         |                      | 2008/0277923 A1 | 11/2008 | Brandt et al.                   |
|              |         |                      | 2008/0277924 A1 | 11/2008 | Jensen et al.                   |



(56)

References Cited

U.S. PATENT DOCUMENTS

|              |    |         |                    |
|--------------|----|---------|--------------------|
| 2008/0284167 | A1 | 11/2008 | Lim et al.         |
| 2008/0287920 | A1 | 11/2008 | Fangrow et al.     |
| 2009/0079187 | A1 | 3/2009  | Malone             |
| 2009/0127847 | A1 | 5/2009  | Hagen et al.       |
| 2009/0129047 | A1 | 5/2009  | Park et al.        |
| 2009/0140519 | A1 | 6/2009  | Pavnaskar et al.   |
| 2009/0167018 | A1 | 7/2009  | Lien               |
| 2009/0187166 | A1 | 7/2009  | Young              |
| 2009/0188575 | A1 | 7/2009  | Williams et al.    |
| 2009/0256355 | A1 | 10/2009 | Wicks et al.       |
| 2010/0001516 | A1 | 1/2010  | Pisula, Jr. et al. |
| 2010/0056975 | A1 | 3/2010  | Dale et al.        |
| 2010/0078934 | A1 | 4/2010  | Matsunaga          |
| 2010/0185040 | A1 | 7/2010  | Uber et al.        |
| 2010/0194100 | A1 | 8/2010  | Koch               |
| 2010/0276922 | A1 | 11/2010 | Rehder et al.      |
| 2010/0295295 | A1 | 11/2010 | Schmidt            |
| 2010/0301599 | A1 | 12/2010 | Jensen et al.      |
| 2010/0319796 | A1 | 12/2010 | Whitaker           |
| 2011/0012340 | A1 | 1/2011  | Packham et al.     |
| 2011/0127767 | A1 | 6/2011  | Wicks et al.       |
| 2011/0204621 | A1 | 8/2011  | Whitaker et al.    |
| 2011/0204622 | A1 | 8/2011  | Lewis et al.       |
| 2011/0210541 | A1 | 9/2011  | Lewis et al.       |
| 2012/0031515 | A1 | 2/2012  | Whitaker           |
| 2012/0068457 | A1 | 3/2012  | Pisula, Jr. et al. |

FOREIGN PATENT DOCUMENTS

|    |              |         |
|----|--------------|---------|
| DE | 3439522      | 8/1985  |
| DE | 3533000      | 3/1987  |
| DE | 4122455      | 1/1993  |
| DE | 19800050     | 7/1998  |
| DE | 102005015343 | 10/2006 |
| EP | 0360634      | 3/1990  |
| EP | 0390746      | 10/1990 |
| EP | 0267067      | 7/1991  |
| EP | 0482277      | 4/1992  |
| EP | 0592823      | 4/1994  |
| EP | 0715111      | 6/1996  |
| EP | 0865779      | 9/1998  |
| EP | 0877891      | 11/1998 |
| EP | 0890054      | 1/1999  |
| EP | 0982525      | 3/2000  |
| EP | 1497582      | 1/2005  |
| EP | 1564469      | 8/2005  |
| EP | 1843074      | 10/2007 |
| FR | 2031965      | 11/1970 |
| FR | 2429370      | 1/1980  |
| FR | 280871       | 10/2001 |
| FR | 2853043      | 10/2004 |
| FR | 2870921      | 12/2005 |
| FR | 2903164      | 1/2008  |
| GB | 583459       | 12/1946 |
| GB | 890775       | 3/1962  |
| GB | 2177769      | 1/1987  |
| GB | 2218166      | 11/1989 |
| GB | 2271157      | 4/1994  |
| GB | 2379253      | 3/2003  |
| JP | 53-006918    | 1/1978  |
| JP | 5-223189     | 8/1993  |
| JP | 7-145889     | 6/1995  |
| JP | 10-169869    | 6/1998  |
| JP | 11-82849     | 3/1999  |
| JP | 2003-42363   | 2/2003  |
| JP | 2003-42368   | 2/2003  |

|    |                |         |
|----|----------------|---------|
| WO | WO 93/17270    | 9/1993  |
| WO | WO 95/08732    | 3/1995  |
| WO | WO 00/79172    | 12/2000 |
| WO | WO 2004/104466 | 12/2004 |
| WO | WO 2005/064216 | 7/2005  |
| WO | WO 2006/031958 | 3/2006  |
| WO | WO 2006/073778 | 7/2006  |
| WO | WO 2006/084171 | 8/2006  |
| WO | WO 2006/135666 | 12/2006 |
| WO | WO 2007/038222 | 4/2007  |
| WO | WO 2007/116387 | 10/2007 |
| WO | WO 2007/120620 | 10/2007 |
| WO | WO 2008/023021 | 2/2008  |
| WO | WO 2009/026441 | 2/2009  |

OTHER PUBLICATIONS

Barbed Tee Adapter, 1/2 in to 3/8 in to 1/2 in [Item # F1728], [http://www.horticulturesource.com/product\\_info.php/products\\_id/4016/language/en](http://www.horticulturesource.com/product_info.php/products_id/4016/language/en); dated accessed Sep. 14, 2009, 3 pages.

Brochure, "Precision Components", Value Plastics, Inc., 2002, 132 pages.

Capabilities [online], Jay Manufacturing Corp., retrieved on Apr. 9, 2010, retrieved from the Internet: <URL: <http://www.jaymfg.com/capabilities.htm>>, 2 pages.

Flojet "Quick Connect" Port System Adapter 90 Elbow Type Quad Port X 1/2" Hose Barb, [http://www.amazon.com/Quick-Connect-Port-System-Quad-Barb-90/dp/B0000AZ771/ref=sr\\_1\\_16?s=sporting-goods&ie=UTF8&qid=1300220596&sr=1-16](http://www.amazon.com/Quick-Connect-Port-System-Quad-Barb-90/dp/B0000AZ771/ref=sr_1_16?s=sporting-goods&ie=UTF8&qid=1300220596&sr=1-16), date accessed Sep. 14, 2009; 3 pages.

High-Flow Quick Disconnect Couplings; [http://www.coleparmer.com/catalog/product\\_view.asp?sku=3130355](http://www.coleparmer.com/catalog/product_view.asp?sku=3130355); date accessed Sep. 14, 2009, 3 pages.

Mills, The Process of Vacuum-forming Plastic Parts, IPFrontline.com [online], retrieved on Apr. 9, 2010, retrieved from the Internet: <URL: <http://www.ipfrontline.com/depts/article.asp?id=453&deptid=2>>, 3 pages.

Nylon, Polypropylene Kynar (PVDF) Plastic Fittings for Flexible Tubing & Hose, [http://www.omega.com/pdf/tubing/fittings\\_tubing\\_hose/nylon\\_poly\\_kynar/nylon.asp](http://www.omega.com/pdf/tubing/fittings_tubing_hose/nylon_poly_kynar/nylon.asp); dated accessed Sep. 14, 2009, 2 pages.

Science of Hose Barbs, Colder Products Company, <http://www.pddnet.com/article-the-science-of-hose-barbs/>, date accessed Sep. 4, 2009, 6 pages.

Stackable Hose Barb Elbow—1/2" CTS x 1/2 ID Barb, [http://www.freshwatersystems.com/p-1714-stackable-hose-barb-elbow-12-cts-x-12-id-barb.aspx?affiliated=10052&utm\\_source=shopzilla&utm\\_medium=Feed&utm\\_campaign=Product&utm\\_term=3512-1008](http://www.freshwatersystems.com/p-1714-stackable-hose-barb-elbow-12-cts-x-12-id-barb.aspx?affiliated=10052&utm_source=shopzilla&utm_medium=Feed&utm_campaign=Product&utm_term=3512-1008), date accessed Sep. 14, 2009, 1 page.

Stainless Steel Overview: History [online], Stainless Steel Industry of North America, retrieved on Apr. 9, 2010, retrieved from the Internet: <URL: <http://www.ssina.com/overview/history.html>>, 1 page.

U.S. Appl. No. 29/385,357, filed Feb. 11, 2011, Lombardi et al., Pending.

U.S. Appl. No. 29/385,360, filed Feb. 11, 2011, Lombardi et al., Pending.

U.S. Appl. No. 29/385,363, filed Feb. 11, 2011, Lombardi et al., Pending.

U.S. Appl. No. 29/398,433, filed Jul. 29, 2011, Lombardi et al., Pending.

U.S. Appl. No. 29/398,437, filed Jul. 29, 2011, Lombardi et al., Pending.

U.S. Appl. No. 13/265,191, filed Oct. 19, 2011, Pisula, Jr. et al., Pending.

\* cited by examiner

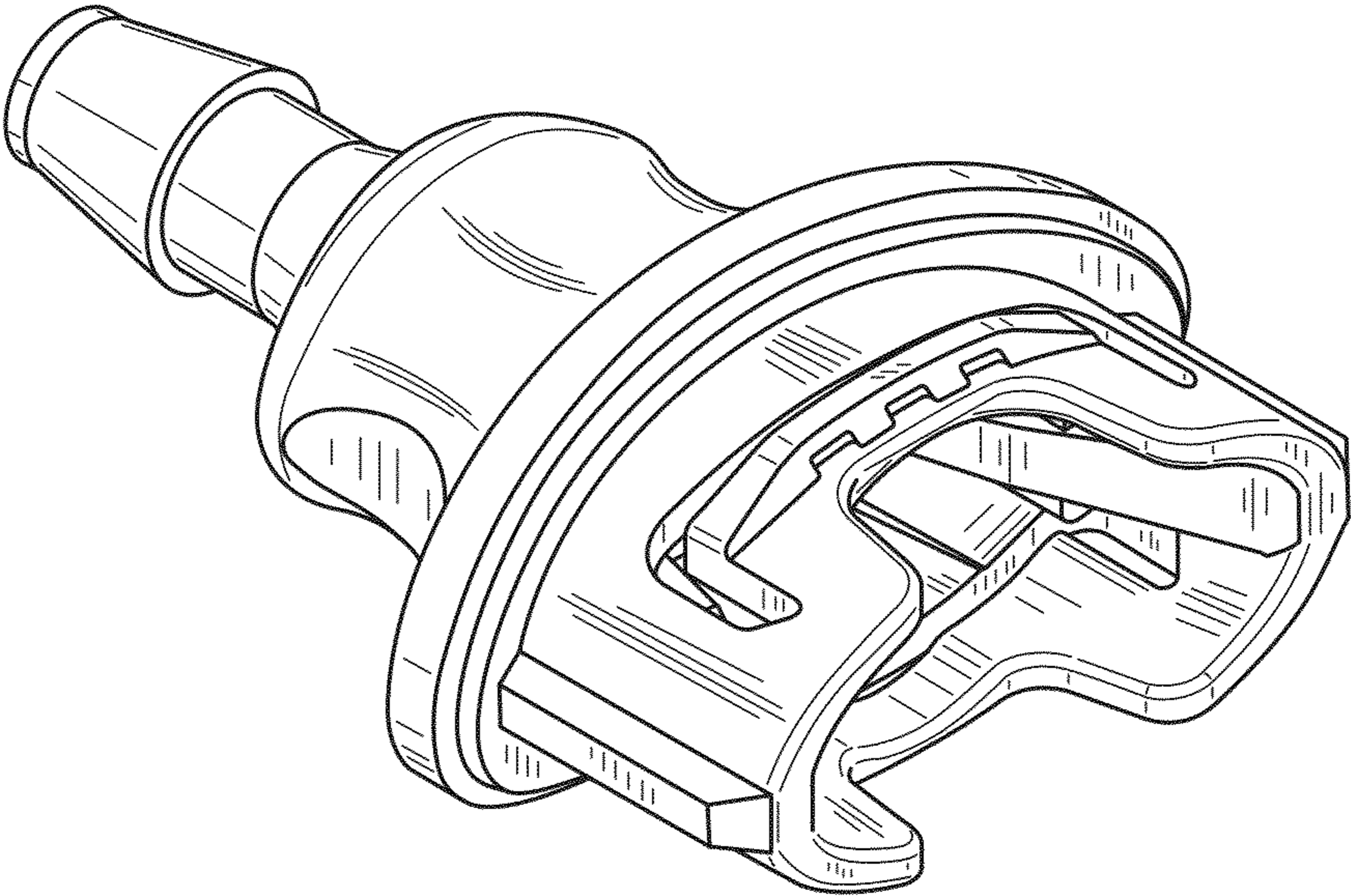


FIG.1

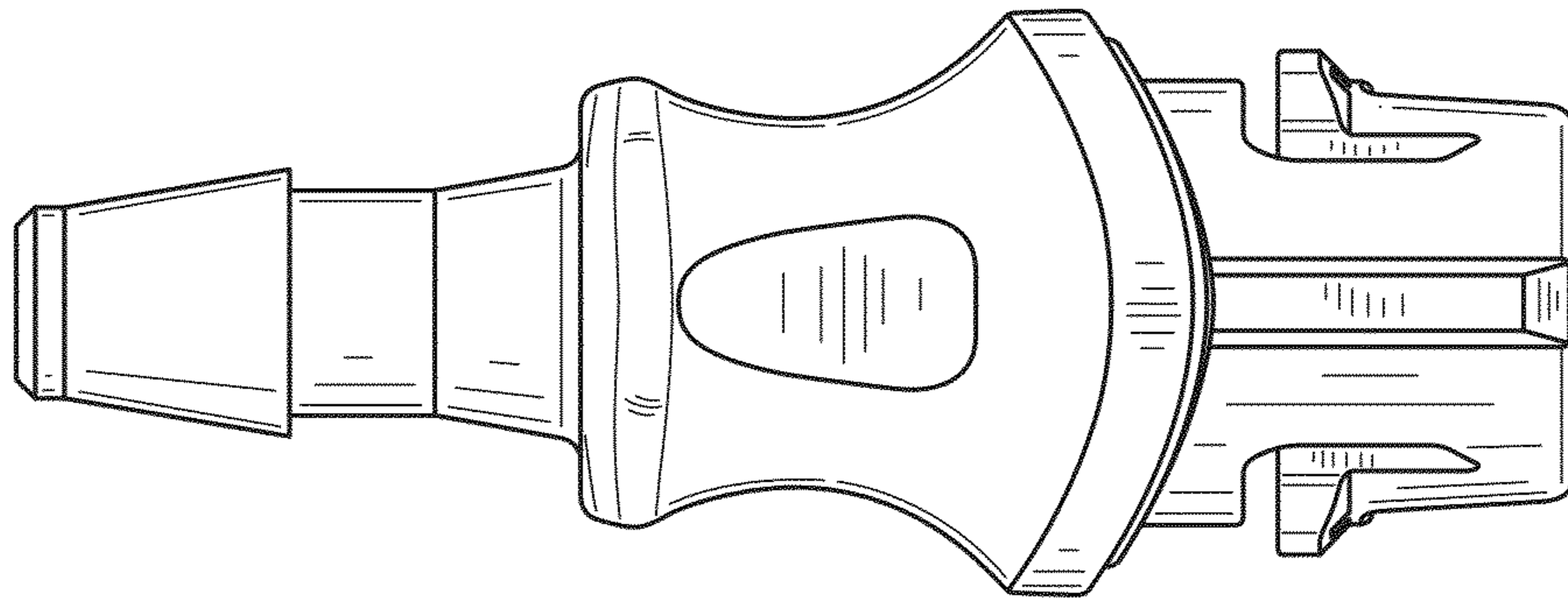


FIG. 2

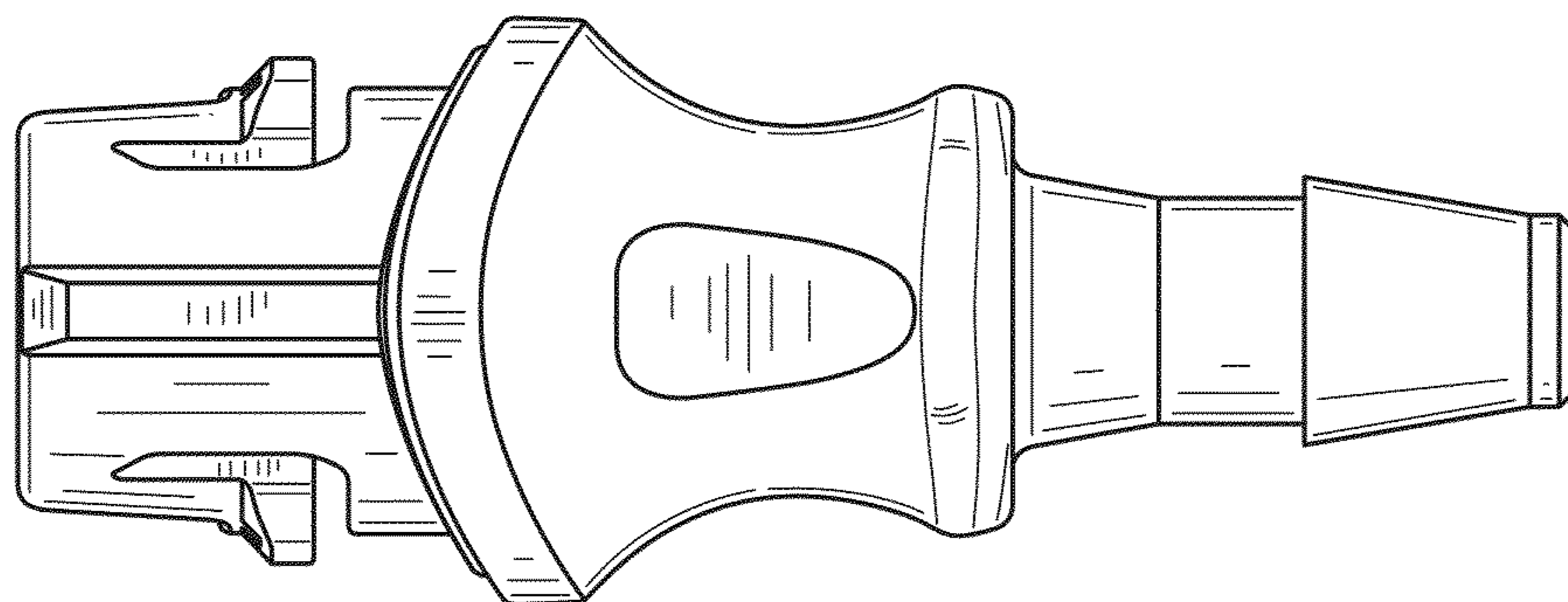


FIG. 3



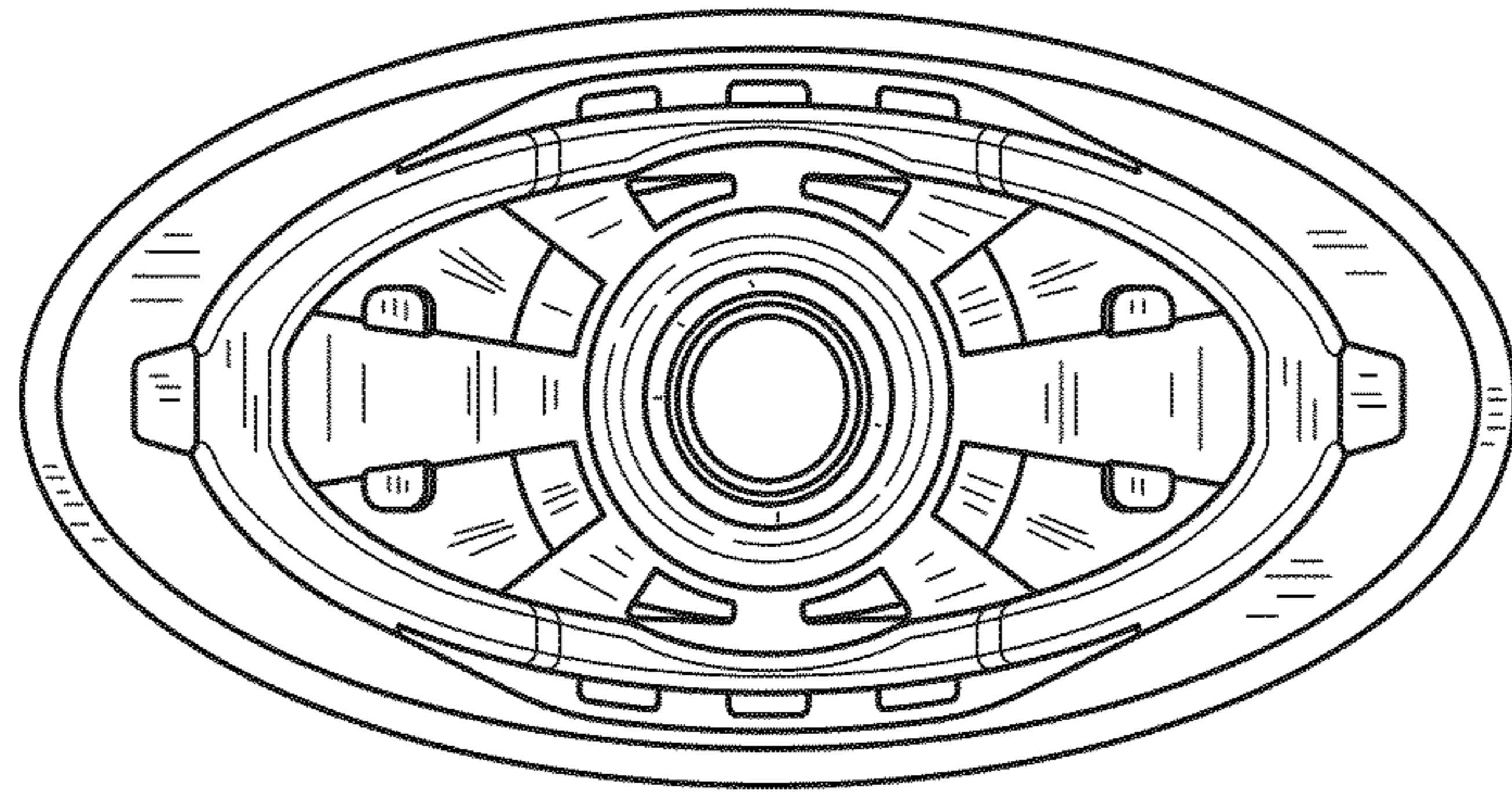


FIG. 4

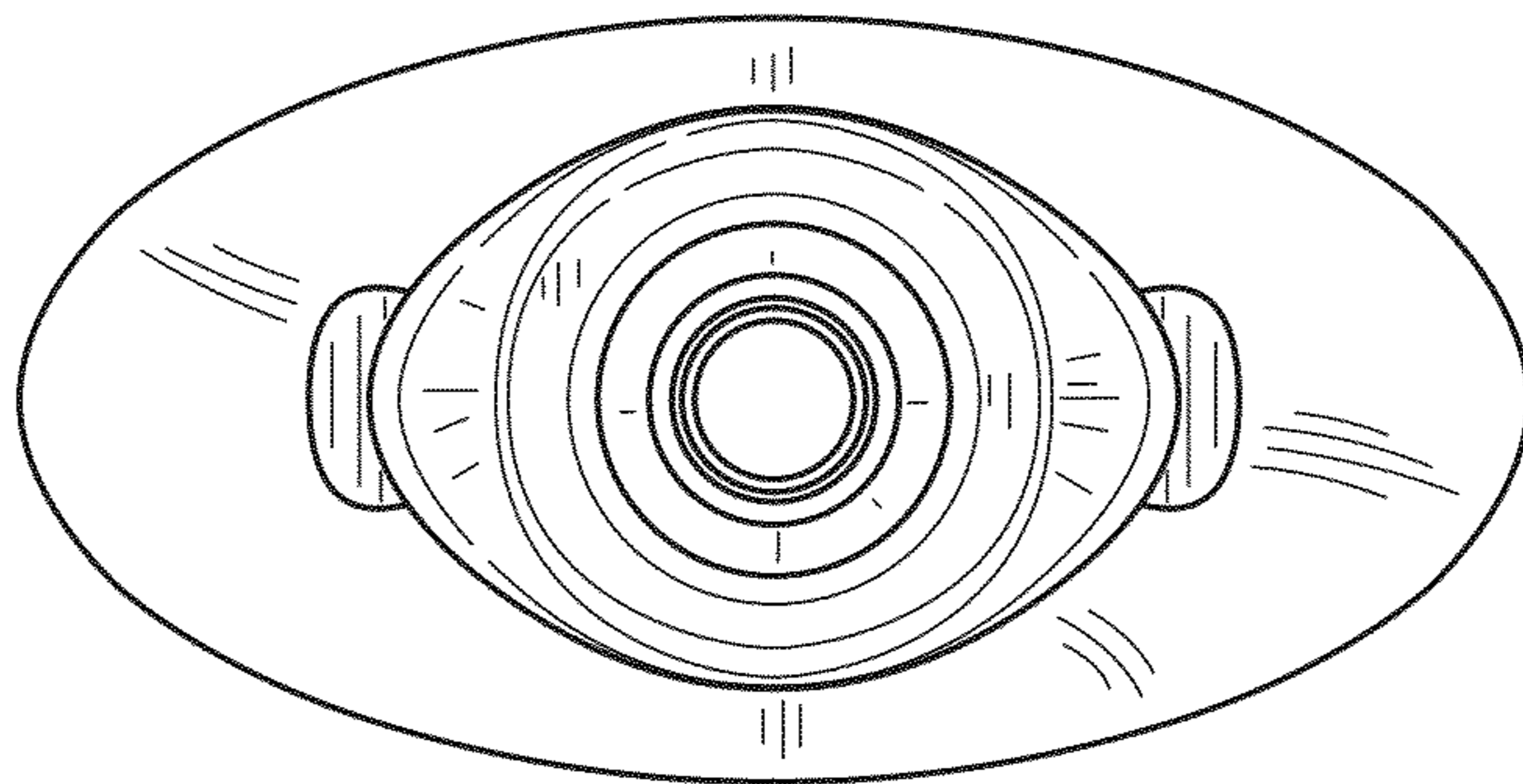


FIG. 5

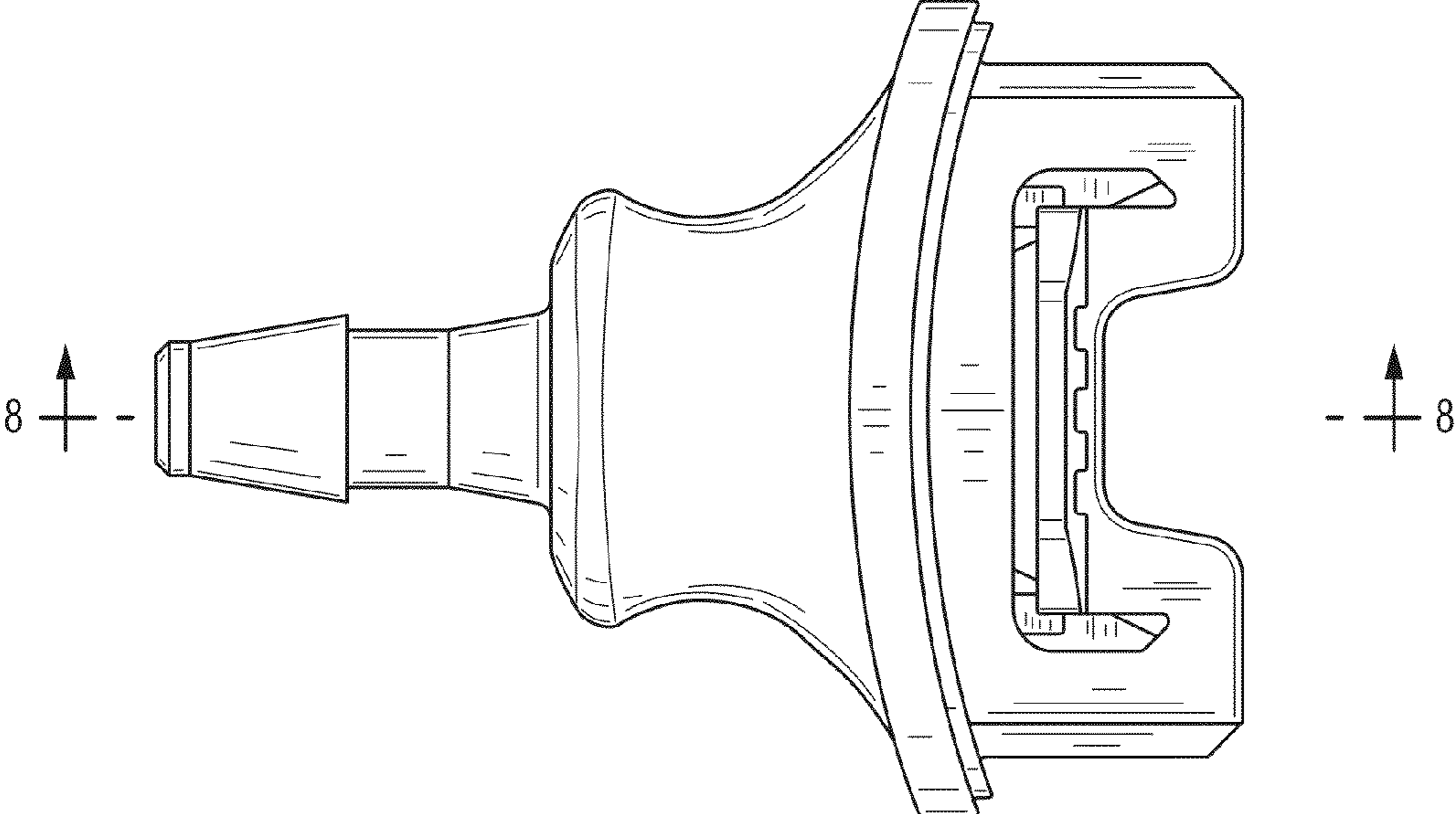


FIG. 6

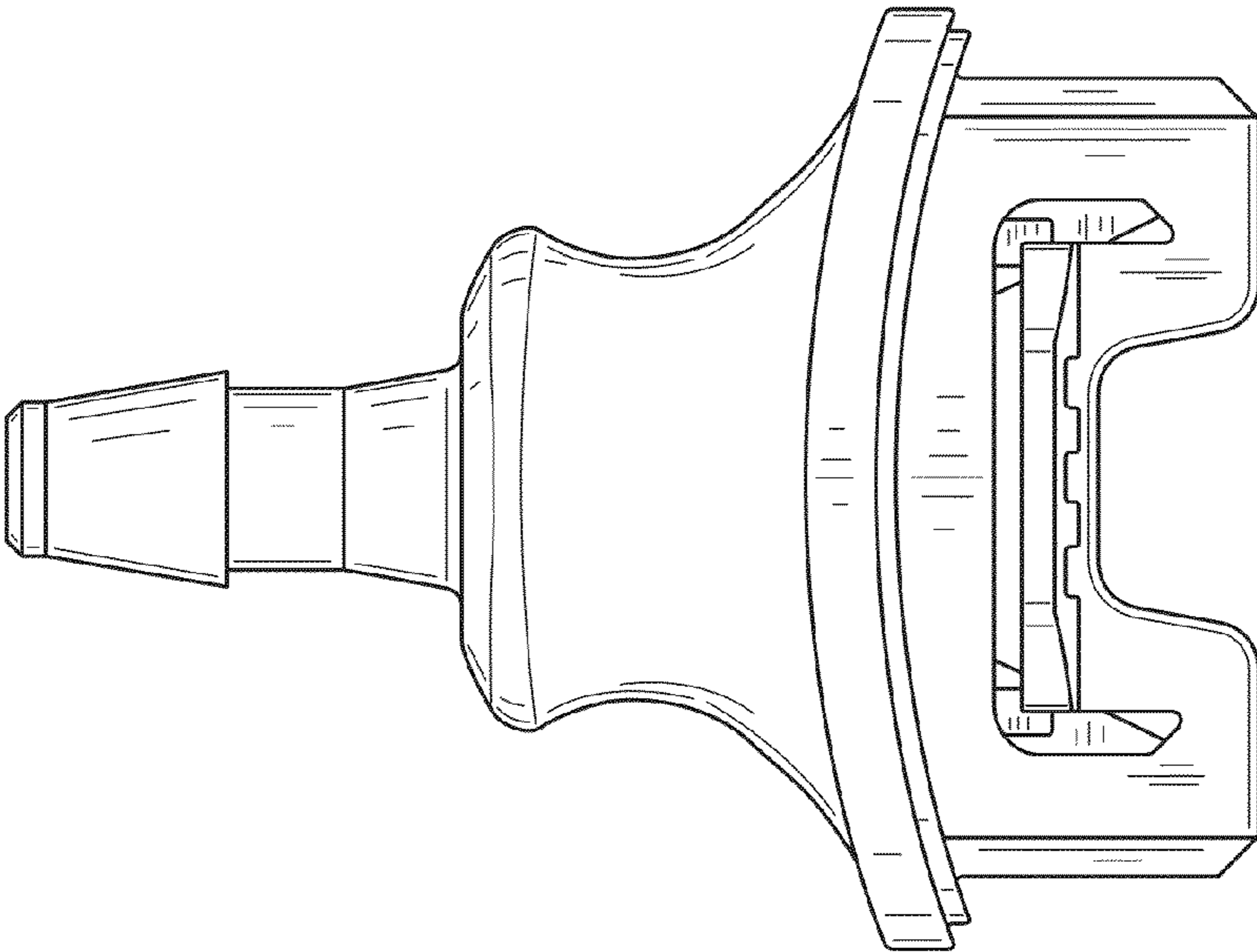


FIG. 7



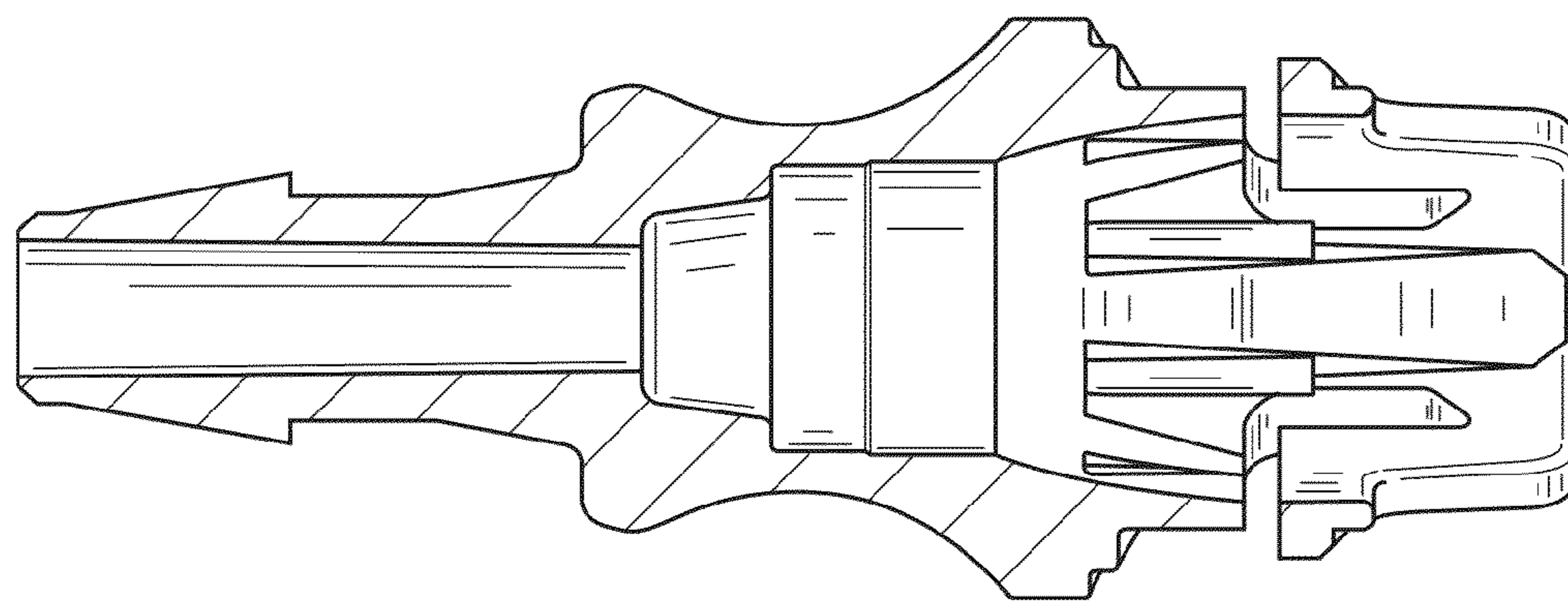


FIG.8