



US00D699837S

(12) **United States Design Patent**
Ericsson

(10) **Patent No.:** **US D699,837 S**

(45) **Date of Patent:** **** Feb. 18, 2014**

(54) **CAPILLARY TUBE**

(75) Inventor: **Stefan Ericsson**, Mullsjo (SE)

(73) Assignee: **Zafena AB**, Borensberg (SE)

(**) Term: **14 Years**

(21) Appl. No.: **29/400,379**

(22) Filed: **Aug. 26, 2011**

(30) **Foreign Application Priority Data**

Aug. 24, 2011 (EM) 001907882-0002

(51) **LOC (10) Cl.** **24-02**

(52) **U.S. Cl.**
USPC **D24/112**

(58) **Field of Classification Search**
USPC D24/112-114, 133, 186, 130, 127, 176,
D24/222; 606/181, 185;
604/164.01-164.09, 533, 232, 187,
604/168.01, 192, 19, 48, 93.01, 264, 523,
604/524, 526, 527, 525, 172; 600/101, 139,
600/143; 128/200.24, 207.14, 207.15
See application file for complete search history.

(56) **References Cited**

U.S. PATENT DOCUMENTS

D246,380 S * 11/1977 Boothby D24/222
D297,054 S * 8/1988 Williams D24/222
D373,827 S * 9/1996 Polaniec D24/222
D468,831 S * 1/2003 On et al. D24/222
D476,418 S * 6/2003 Spriek et al. D24/130
D492,772 S * 7/2004 Austin D24/129

D560,815 S * 1/2008 Tajima D24/222
D561,347 S * 2/2008 Tajima D24/222
D594,119 S * 6/2009 Berberich et al. D24/133
D617,453 S * 6/2010 Shaw D24/130
D630,734 S * 1/2011 Speiser D24/133
D635,668 S * 4/2011 Bartlett et al. D24/112
7,959,613 B2 * 6/2011 Rhad et al. 604/264

* cited by examiner

Primary Examiner — David Muller

(74) *Attorney, Agent, or Firm* — Michael G. Johnston;
Moore & Van Allen PLLC

(57) **CLAIM**

The ornamental design for a capillary tube, as shown and described.

DESCRIPTION

FIG. 1 is a perspective view of a capillary tube showing my new design.

FIG. 2 is a side elevation view thereof;

FIG. 3 is a top plan view of the capillary tube shown in FIG. 1 showing my new design.

FIG. 4 is a bottom plan view of the capillary tube shown in FIG. 1 showing my new design.

FIG. 5 is a perspective view of another embodiment of a capillary tube showing my new design.

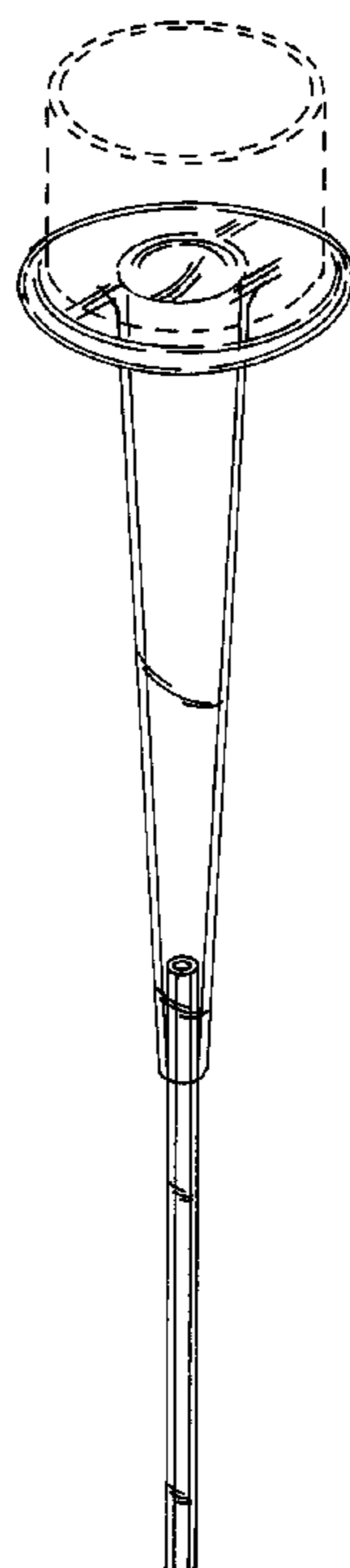
FIG. 6 is an elevation view of the capillary tube shown in FIG. 5 showing my new design.

FIG. 7 is a top plan view thereof; and,

FIG. 8 is a bottom plan view thereof.

The features shown in broken lines depict environmental structure only and form no part of the claimed design.

1 Claim, 6 Drawing Sheets



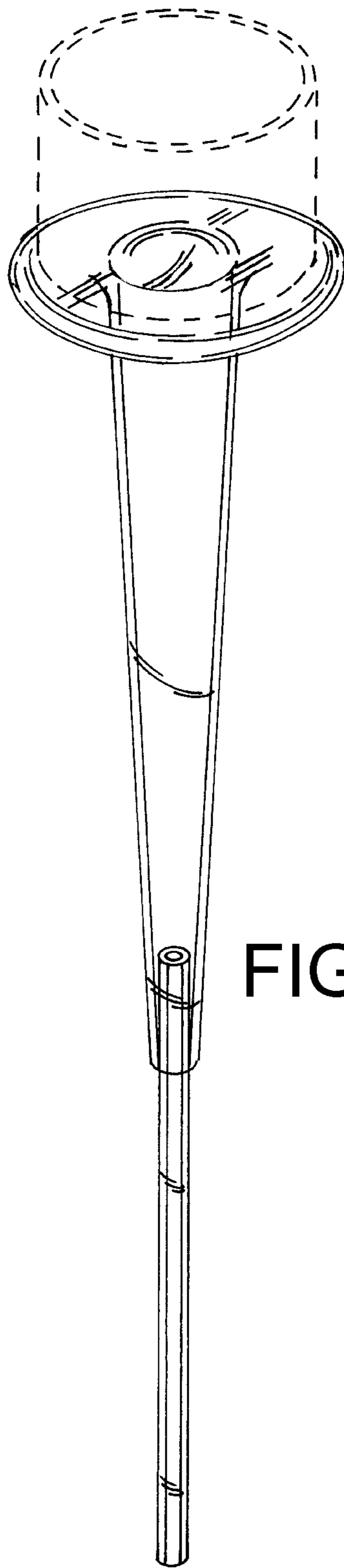


FIG. 1

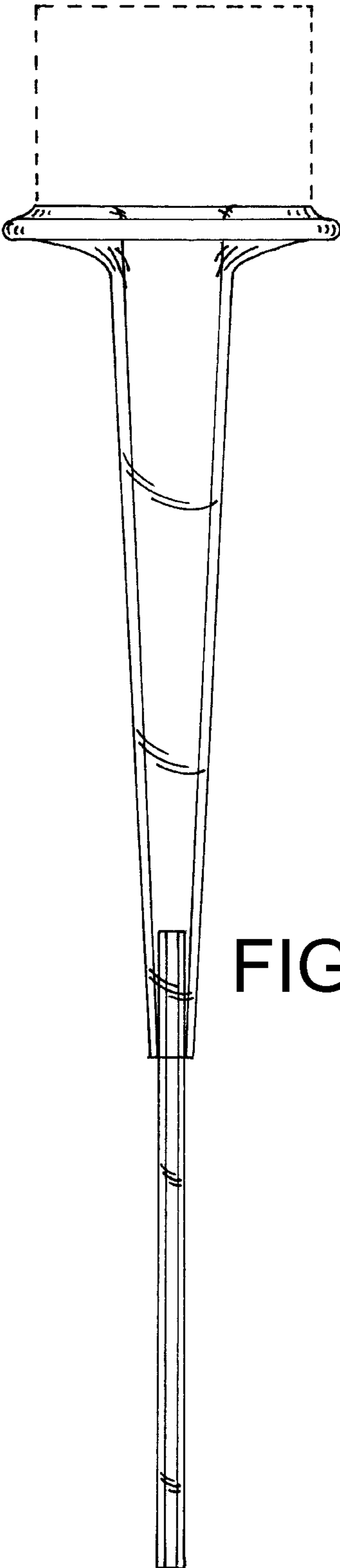


FIG. 2

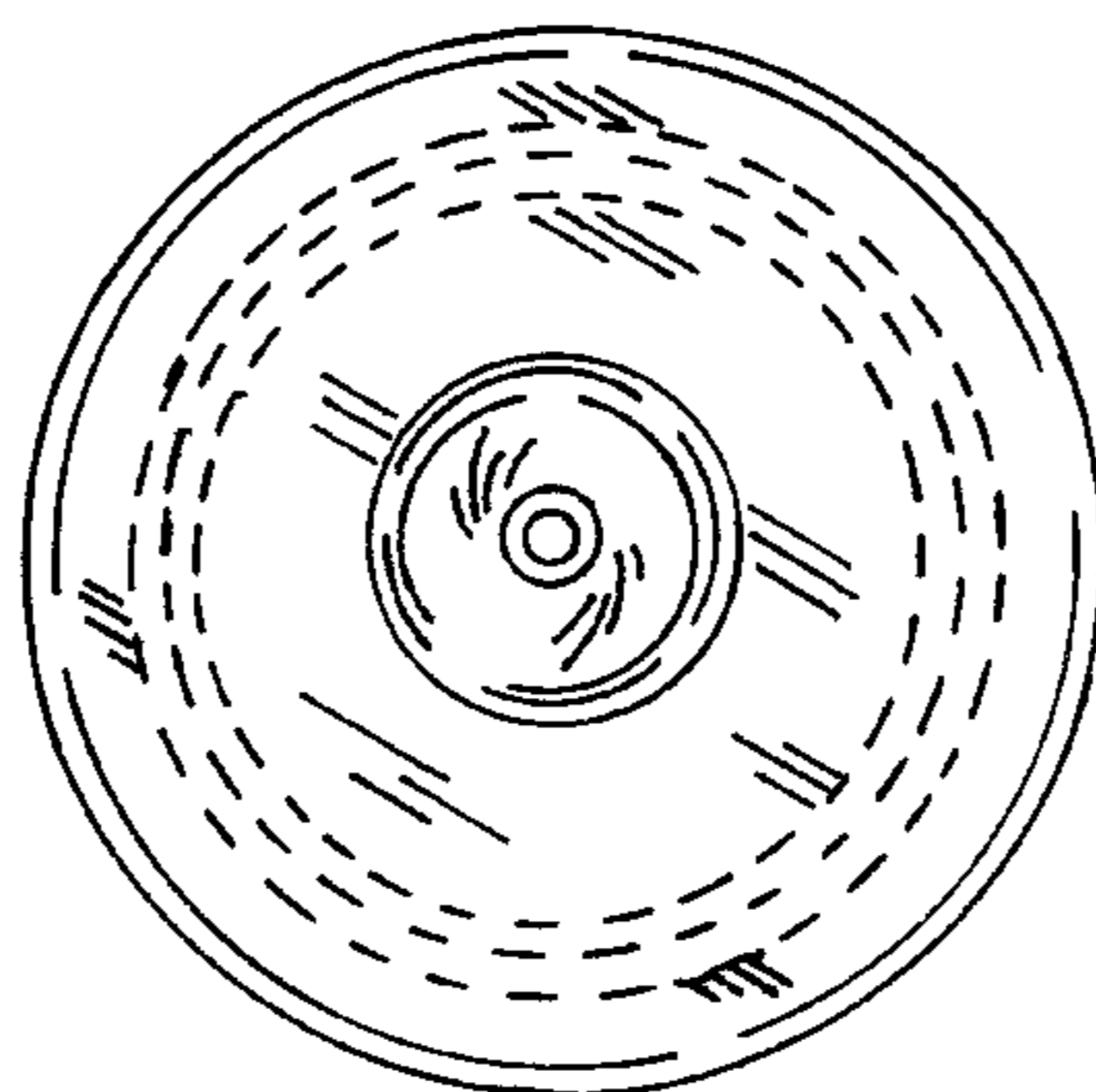


FIG. 3

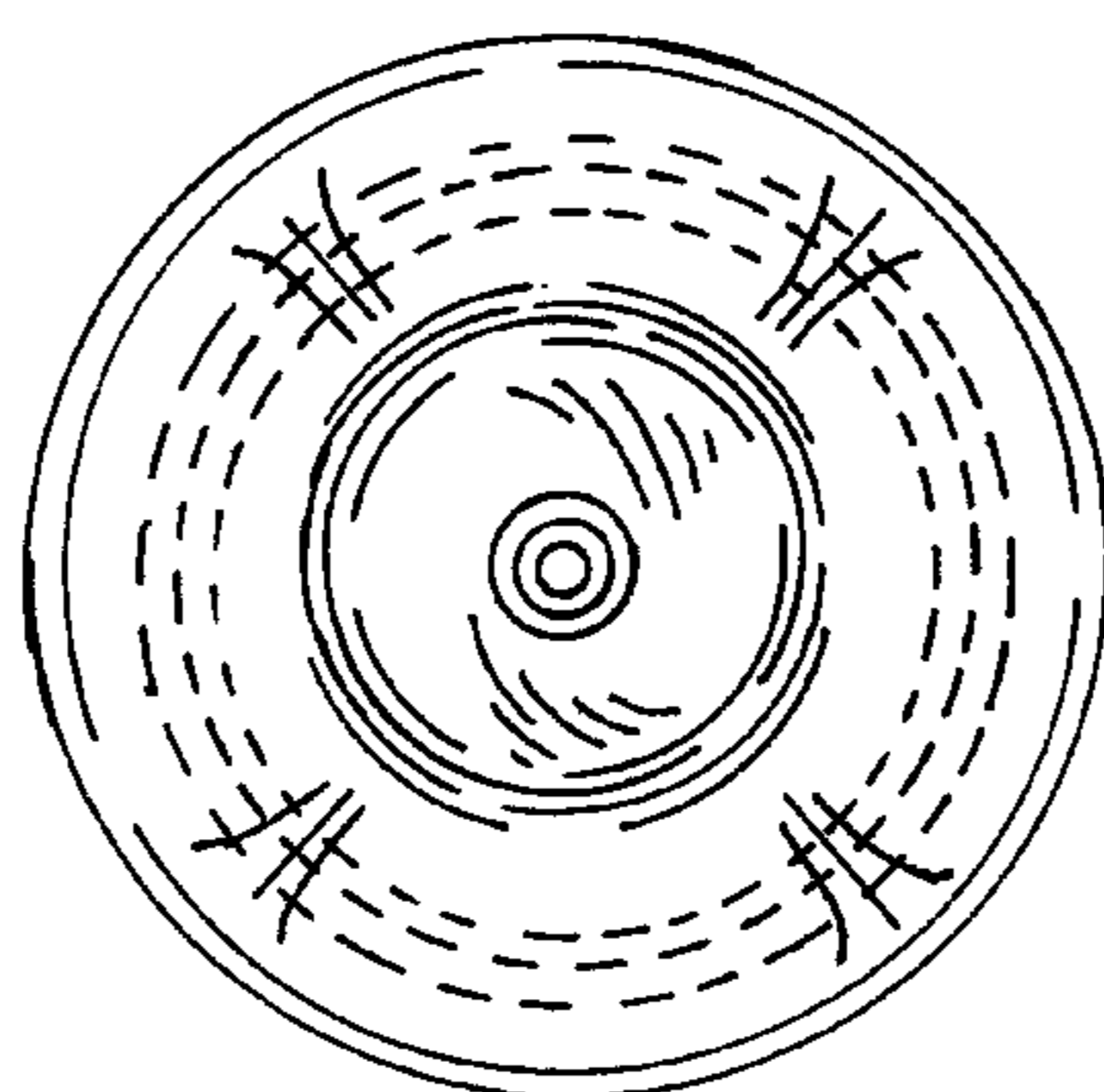


FIG. 4

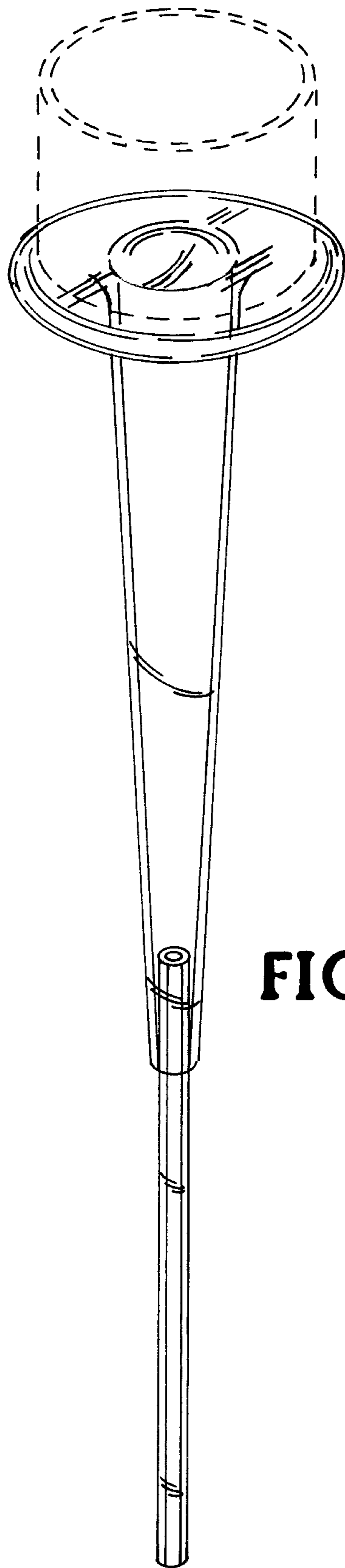


FIG. 5

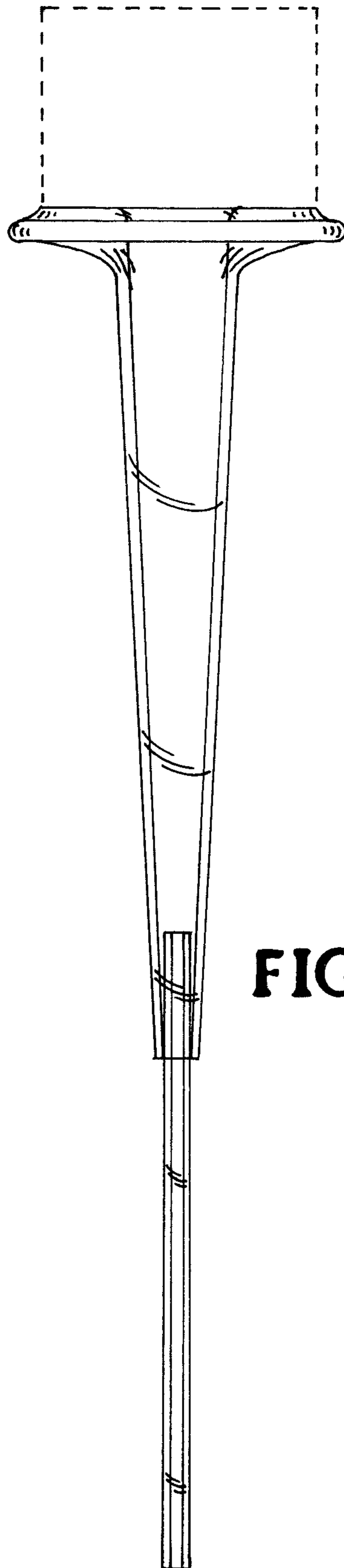


FIG. 6

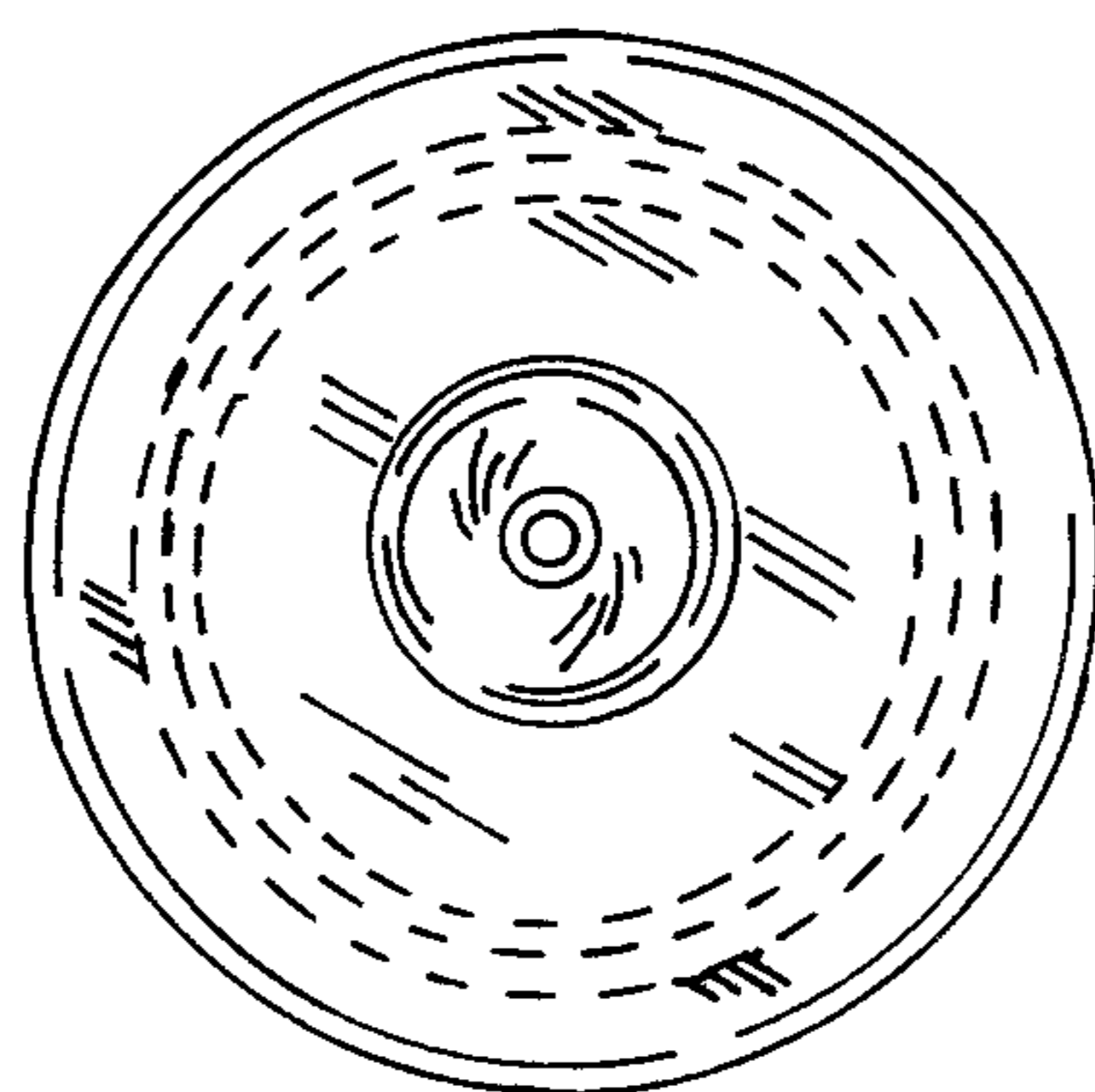


FIG. 7

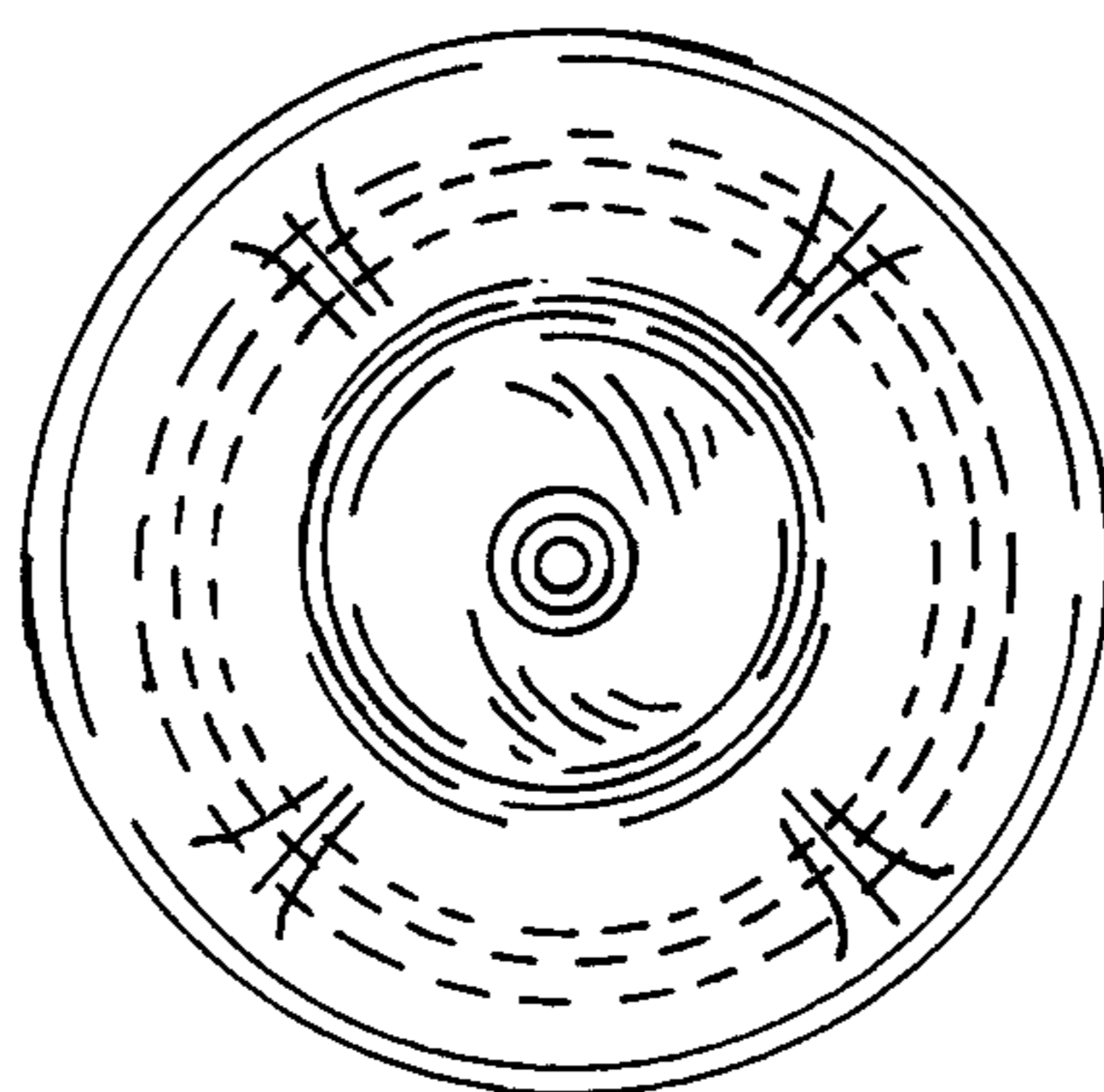


FIG. 8