



US00D699836S

(12) **United States Design Patent**
Burger et al.

(10) **Patent No.:** **US D699,836 S**

(45) **Date of Patent:** **** Feb. 18, 2014**

(54) **HOUSING FOR TUBING CASSETTE SYSTEM**

(71) Applicant: **KARL STORZ GmbH & Co. KG,**
Tuttlingen (DE)

(72) Inventors: **Matthias Burger**, Schaffhausen (CH);
Bernd Emmerich, Emmingen (DE);
Anika Guempel,
Bodman-Ludwigshafen (DE); **Dirk**
Puschke, Tuttlingen (DE); **Manfred**
Schmidt, Allensbach (DE); **Otmar**
Stillhard, Steckborn (CH)

(73) Assignee: **KARL STORZ GmbH & Co. KG,**
Tuttlingen (DE)

(**) Term: **14 Years**

(21) Appl. No.: **29/445,515**

(22) Filed: **Feb. 13, 2013**

(30) **Foreign Application Priority Data**

Aug. 13, 2012 (EM) 002087262-0001

(51) **LOC (10) Cl.** **24-02**

(52) **U.S. Cl.**
USPC **D24/111**

(58) **Field of Classification Search**
USPC D24/107, 108, 111, 128, 172; 417/474,
417/477.2; 604/30, 34, 153, 540
See application file for complete search history.

(56) **References Cited**

U.S. PATENT DOCUMENTS

D264,134 S * 4/1982 Xanthopoulos D24/111
6,468,059 B2 * 10/2002 Haser et al. 417/477.1

7,238,010 B2 * 7/2007 Hershberger et al. 417/477.2
7,513,757 B2 * 4/2009 Gibson et al. 417/477.2
D600,792 S * 9/2009 Eubanks et al. D24/111
7,632,079 B2 * 12/2009 Hershberger et al. 417/477.2
8,047,819 B2 * 11/2011 Lawrence et al. 417/477.1
2001/0020148 A1 * 9/2001 Sasse et al. 604/65
2006/0216172 A1 * 9/2006 Fitzgerald 417/477.2
2007/0217933 A1 * 9/2007 Haser et al. 417/477.2

* cited by examiner

Primary Examiner — Ian Simmons

Assistant Examiner — Richelle G Shelton

(74) *Attorney, Agent, or Firm* — Muncy, Geissler, Olds &
Lowe, PLLC

(57) **CLAIM**

The ornamental design for a housing for tubing cassette sys-
tem, as shown and described.

DESCRIPTION

FIG. 1 is a left side perspective view of a housing for tubing cassette system according to the present invention.

FIG. 2 is a right side perspective view of the housing for tubing cassette system of FIG. 1.

FIG. 3 is a front perspective view of the housing for tubing cassette system of FIG. 1.

FIG. 4 is a rear perspective view of the housing for tubing cassette system of FIG. 1.

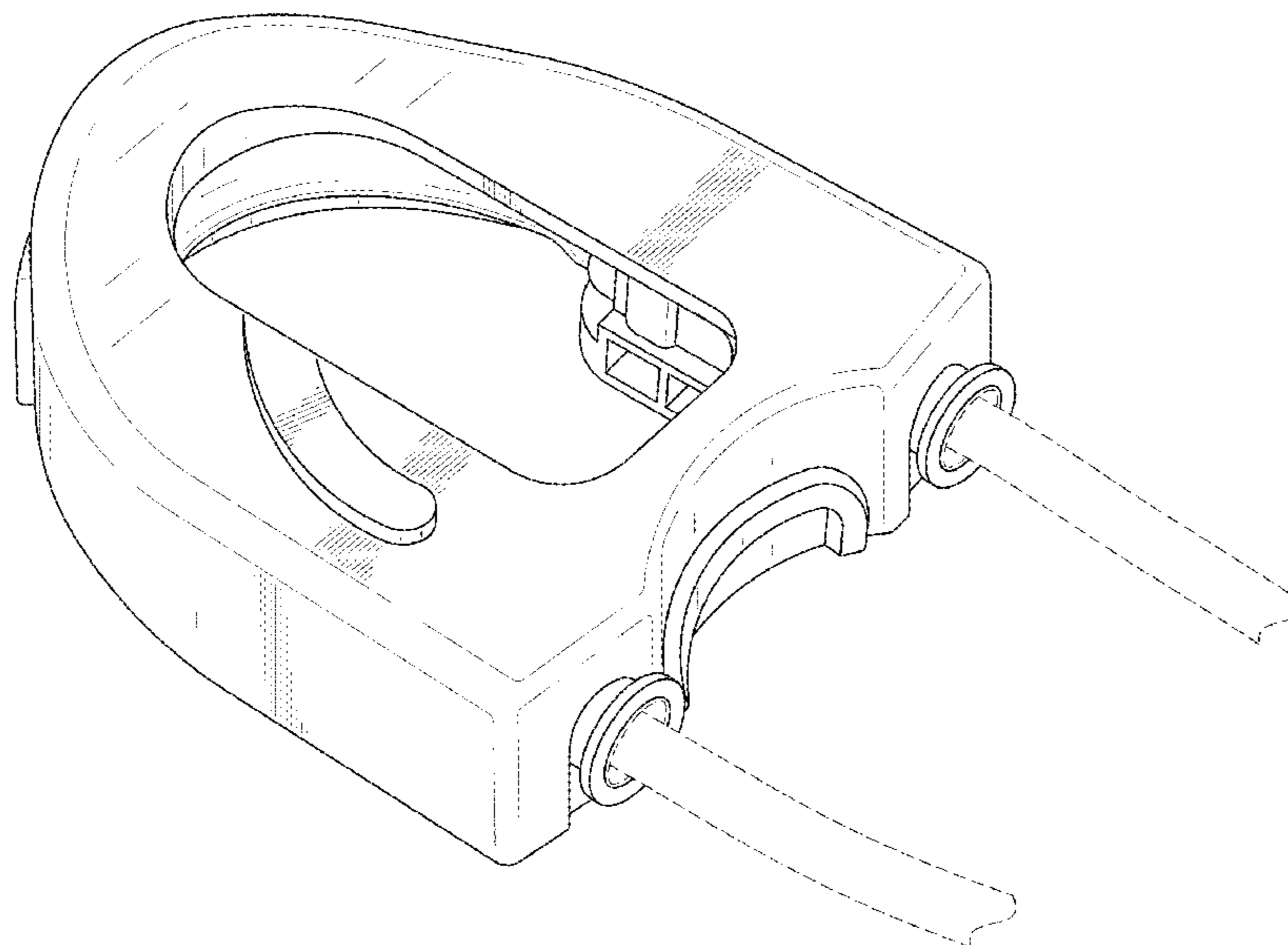
FIG. 5 is a top perspective view of the housing for tubing cassette system of FIG. 1.

FIG. 6 is a bottom perspective view of the housing for tubing cassette system of FIG. 1; and,

FIG. 7 is a three-quarter perspective view of the housing for tubing cassette system of FIG. 1.

The dashed lines illustrate environment that does not form a part of the present invention, and no claim is made to the material illustrated with dashed lines.

1 Claim, 7 Drawing Sheets



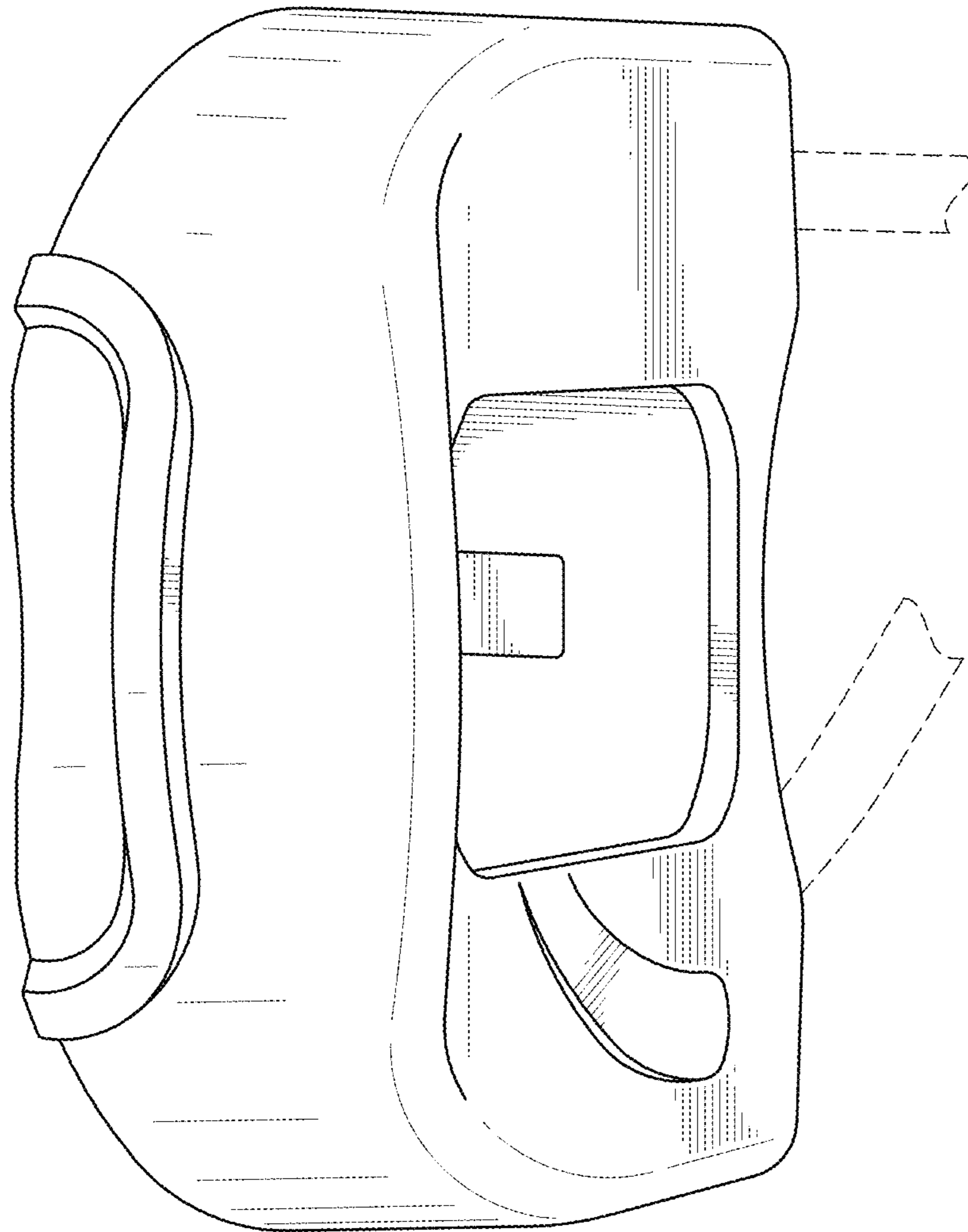


FIG.1

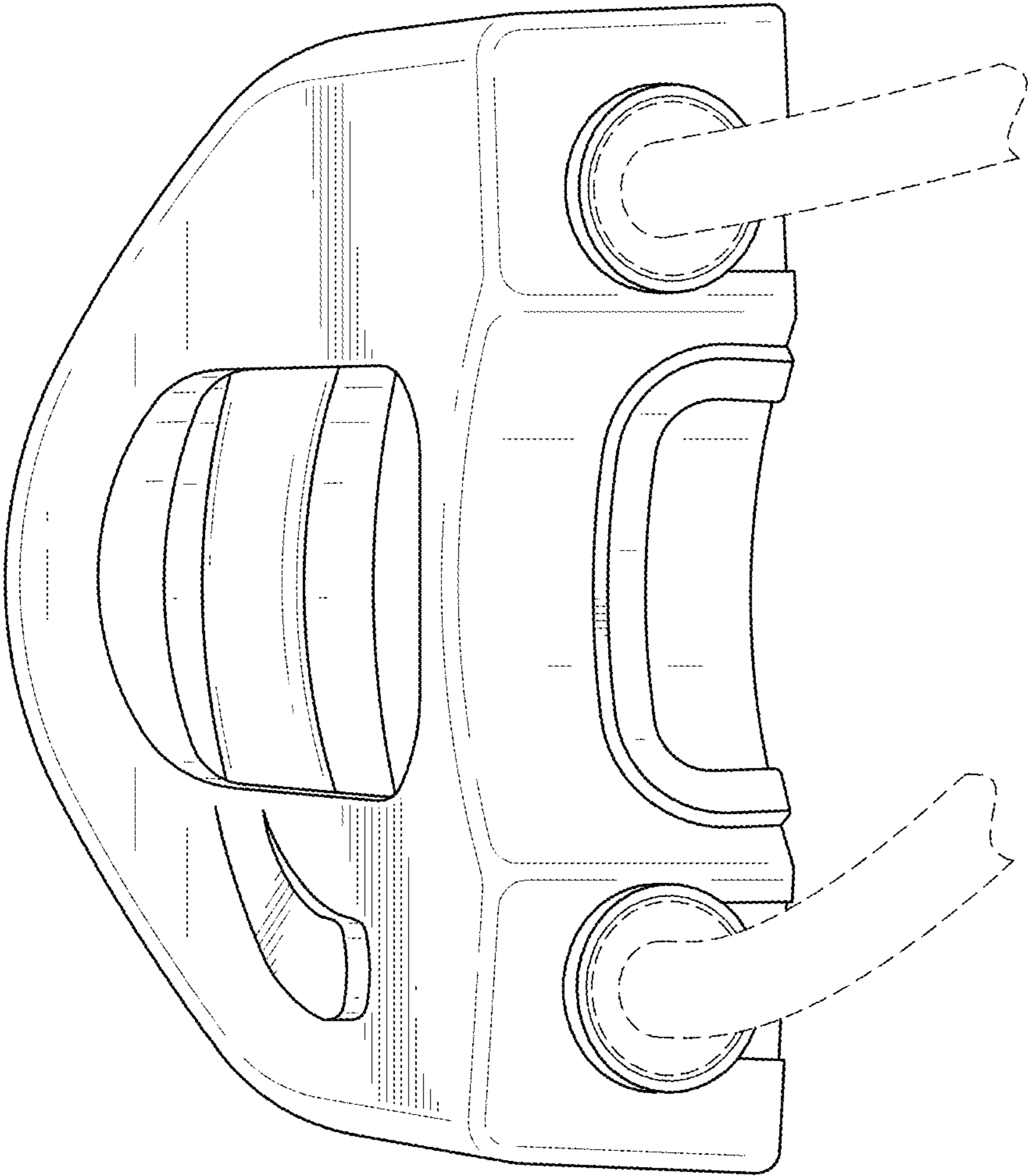


FIG.2

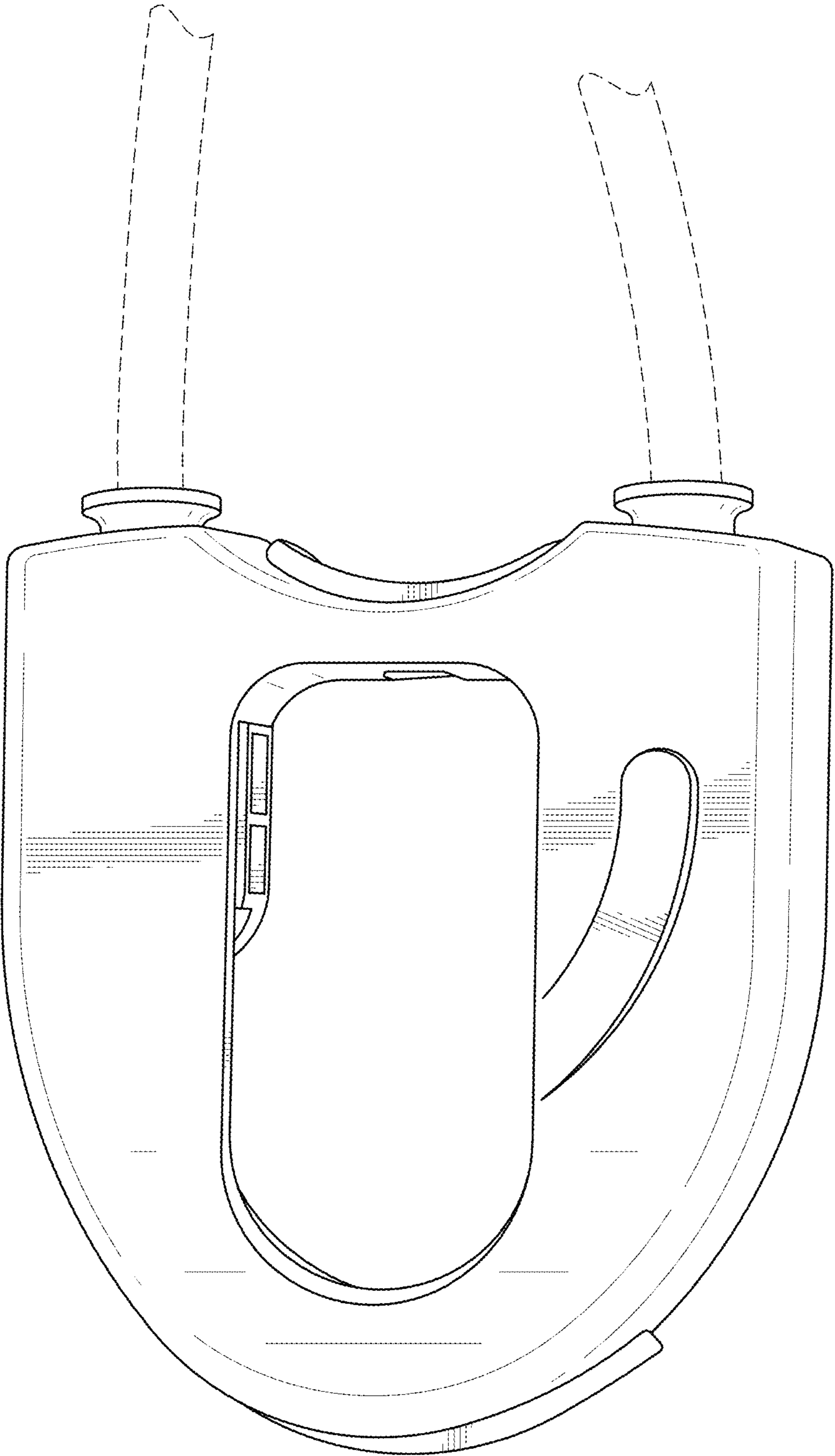


FIG.3

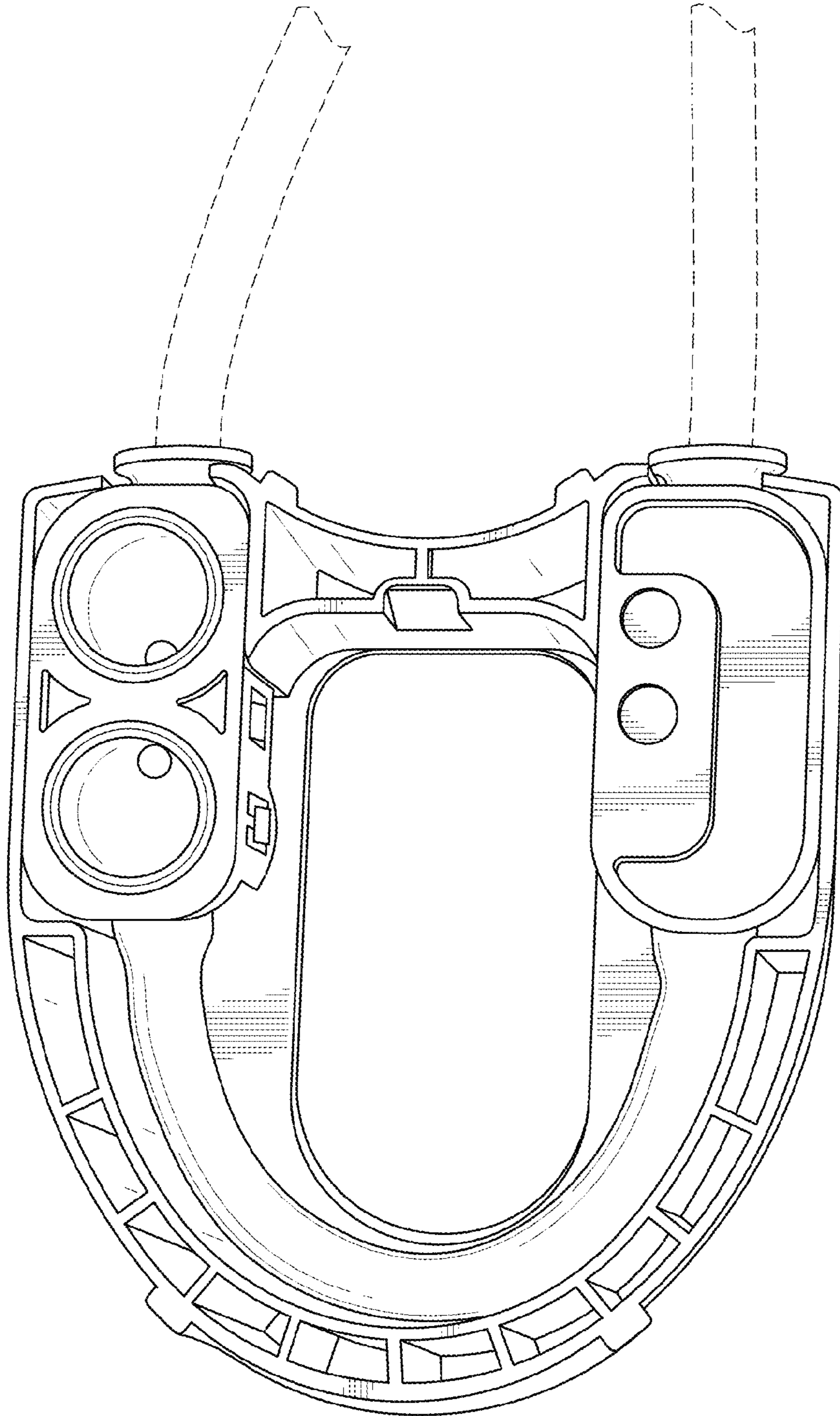


FIG.4

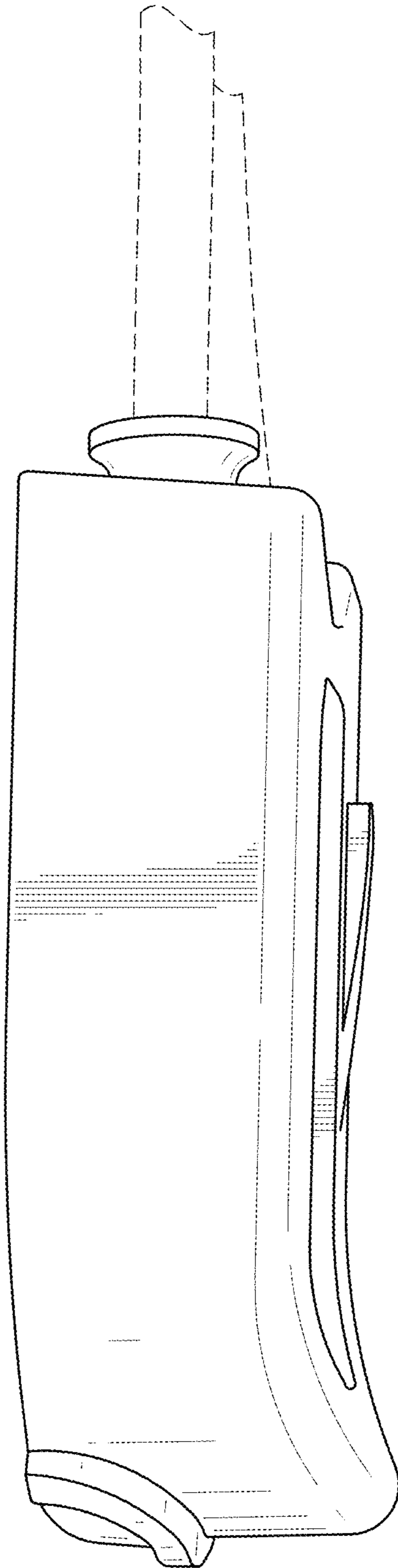


FIG.5

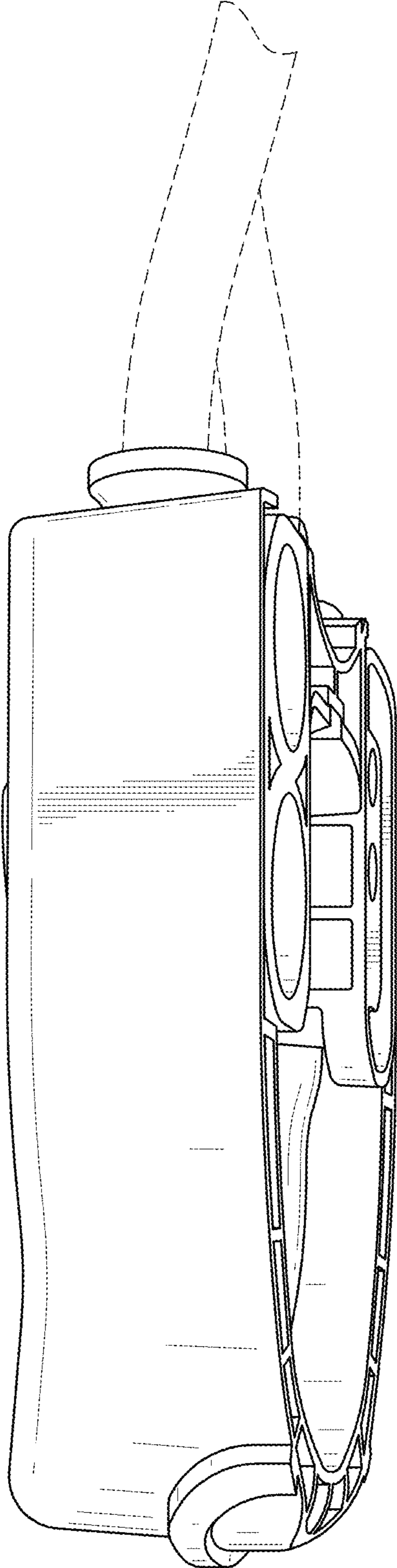


FIG.6

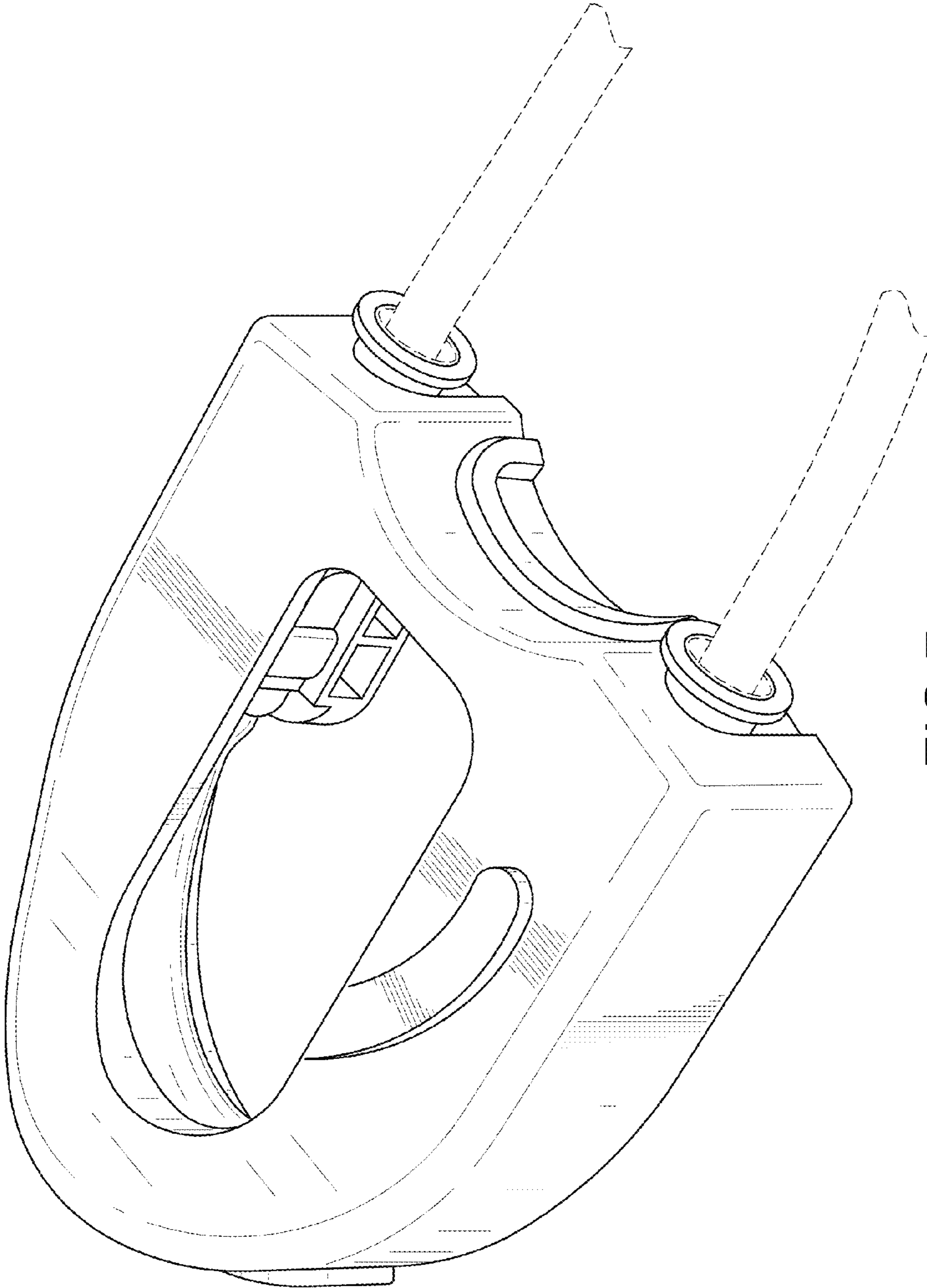


FIG.7