

US00D699835S

(12) **United States Design Patent**
Kenyon et al.

(10) **Patent No.:** **US D699,835 S**
(45) **Date of Patent:** **** Feb. 18, 2014**

(54) **IMPELLER**

(75) Inventors: **Barton John Kenyon**, Sydney (AU);
Nicholas Jerome Reed, Sydney (AU)

(73) Assignee: **ResMed Motor Technologies Inc.**,
Chatsworth, CA (US)

(**) Term: **14 Years**

(21) Appl. No.: **29/371,739**

(22) Filed: **Aug. 16, 2011**

Related U.S. Application Data

(60) Division of application No. 29/371,228, filed on Dec. 6, 2010, now Pat. No. Des. 645,950, which is a division of application No. 29/309,429, filed on Aug. 15, 2008, now Pat. No. Des. 630,721, which is a division of application No. 29/274,507, filed on Apr. 27, 2008, now Pat. No. Des. 577,807, which is a continuation-in-part of application No. PCT/AU2006/001617, filed on Oct. 27, 2006.

(51) **LOC (10) Cl.** **23-04**

(52) **U.S. Cl.**
USPC **D23/413**

(58) **Field of Classification Search**
USPC D23/314, 341, 355, 370, 371, 375, 379,
D23/386, 411-414; 416/179, 180, 183, 185,
416/186 R; 417/423.1, 423.12, 423.14,
417/424.1; 55/473

See application file for complete search history.

(56) **References Cited**

U.S. PATENT DOCUMENTS

1,959,703 A * 5/1934 Birman 416/183
2,465,671 A 3/1949 Van Millingen et al.
3,159,106 A 12/1964 Schumbacker et al.

(Continued)

FOREIGN PATENT DOCUMENTS

DE 10035404 2/2002
EP 0295455 12/1988

(Continued)

OTHER PUBLICATIONS

U.S. Appl. No. 29/274,505, filed Apr. 27, 2007.

(Continued)

Primary Examiner — Caron D Veynar

Assistant Examiner — Martie K Holtje

(74) *Attorney, Agent, or Firm* — Nixon & Vanderhye P.C.

(57) **CLAIM**

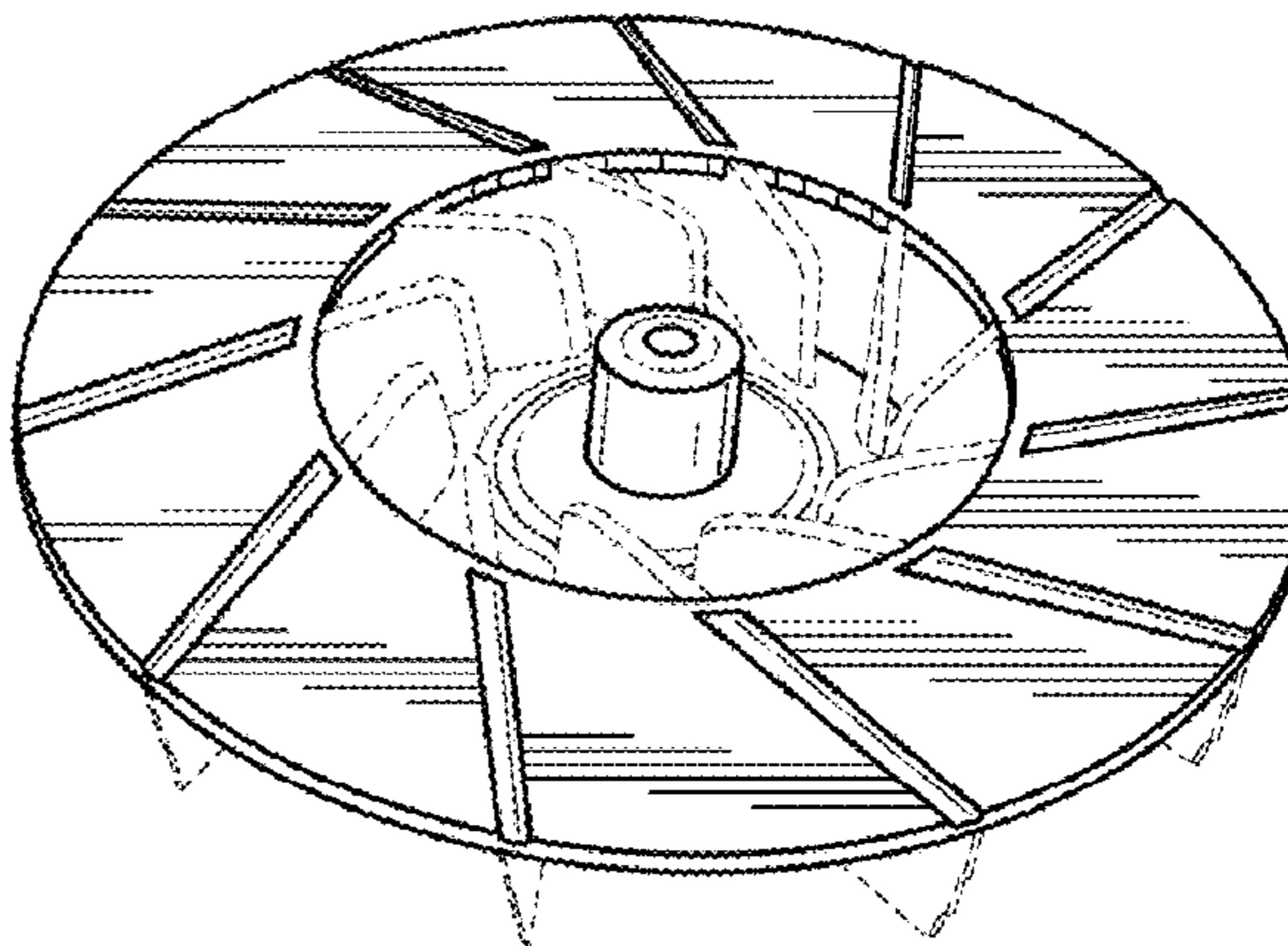
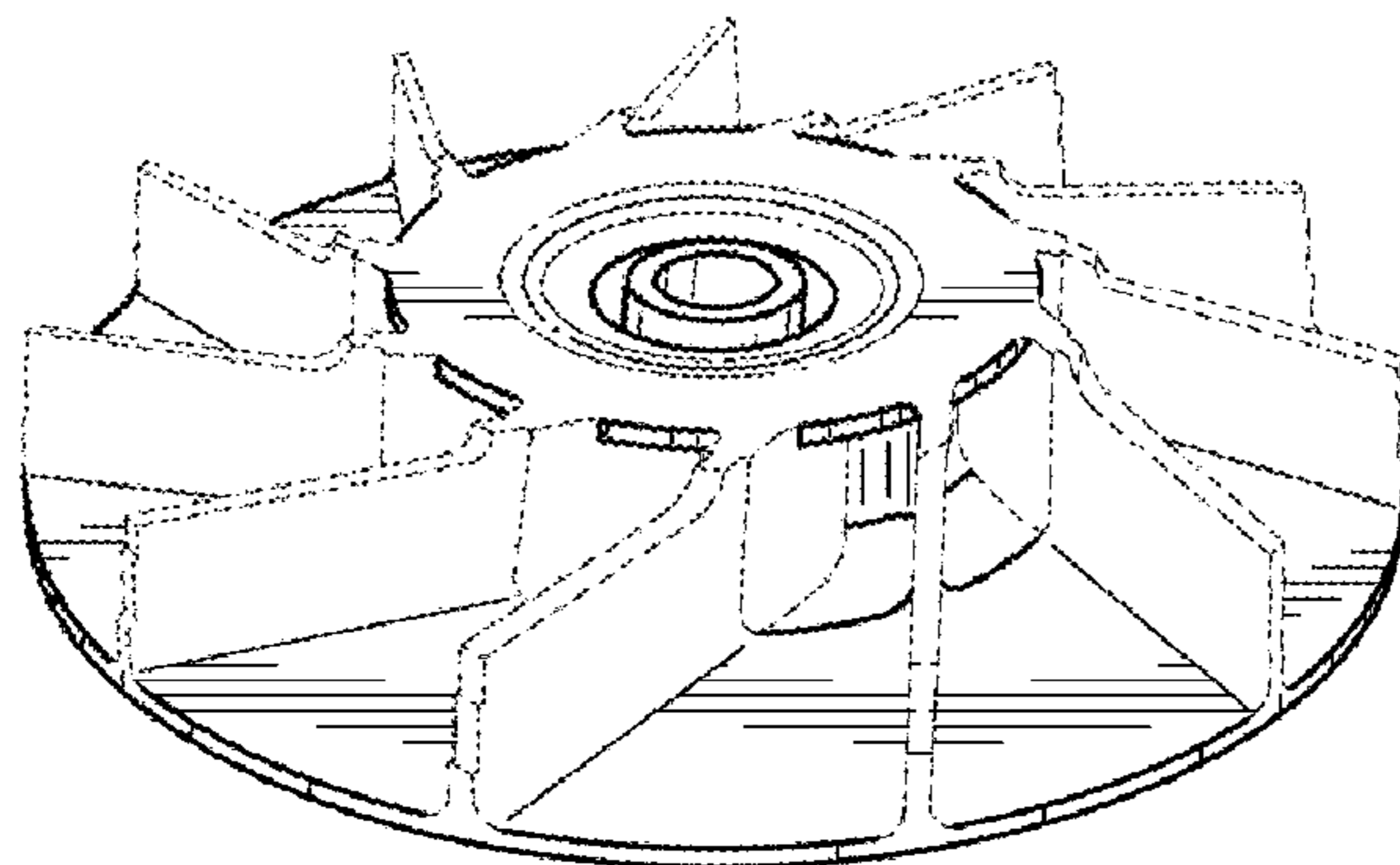
The ornamental design for an impeller, as shown and described.

DESCRIPTION

FIG. 1 is a perspective view of an impeller according to a first embodiment of our design;
FIG. 2 is another perspective view thereof;
FIG. 3 is a top view thereof;
FIG. 4 is a bottom view thereof;
FIG. 5 is a front view thereof;
FIG. 6 is a rear view thereof;
FIG. 7 is a right view thereof;
FIG. 8 is a left view thereof;
FIG. 9 is a perspective view of an impeller according to a second embodiment of our design;
FIG. 10 is another perspective view thereof;
FIG. 11 is a top view thereof;
FIG. 12 is a bottom view thereof;
FIG. 13 is a front view thereof;
FIG. 14 is a rear view thereof;
FIG. 15 is a right view thereof; and,
FIG. 16 is a left view thereof.

Where included, broken lines showing environment or structure are for illustrative purposes only and form no part of the claimed design.

1 Claim, 4 Drawing Sheets



(56)

References Cited

U.S. PATENT DOCUMENTS

3,536,417 A * 10/1970 Hans et al. 416/223 R
 4,093,401 A * 6/1978 Gravelle 416/185
 4,362,468 A * 12/1982 Nishikawa et al. 416/186 R
 4,767,285 A 8/1988 Jyoraku et al.
 D314,844 S 2/1991 Beharad
 D355,253 S 2/1995 Jansen et al.
 5,875,783 A 3/1999 Kullik
 5,893,705 A 4/1999 Khan et al.
 D427,675 S 7/2000 Hansel
 6,095,776 A 8/2000 Maki
 6,210,116 B1 4/2001 Kuczaj et al.
 6,220,819 B1 4/2001 Chien et al.
 D443,281 S 6/2001 Sodergard
 6,296,459 B1 10/2001 Saputo et al.
 6,357,463 B1 3/2002 Wickham et al.
 6,371,738 B2 4/2002 Jones
 6,418,927 B1 7/2002 Kullik
 D468,011 S 12/2002 Lithgow et al.
 6,622,724 B1 9/2003 Truitt
 D497,203 S 10/2004 Lithgow et al.
 6,881,033 B2 4/2005 Makinson
 7,012,346 B2 3/2006 Hoffman et al.
 7,165,938 B2 1/2007 Lee et al.
 7,210,226 B2 5/2007 Makinson et al.
 D544,598 S 6/2007 Lithgow et al.
 7,241,114 B2 * 7/2007 Koeppler 416/186 R
 D560,795 S 1/2008 Lithgow et al.

D577,807 S 9/2008 Kenyon et al.
 D616,468 S 5/2010 Bossom
 D630,721 S 1/2011 Kenyon et al.
 2001/0014290 A1 8/2001 Takura et al.
 2003/0168064 A1 9/2003 Daly et al.
 2003/0190242 A1 10/2003 Anderson
 2004/0071552 A1 4/2004 Truitt et al.
 2004/0136848 A1 7/2004 Marioni
 2005/0036887 A1 2/2005 Nadjafizadeh
 2005/0247314 A1 11/2005 Virr et al.
 2006/0138878 A1 6/2006 Hoffman et al.
 2007/0125386 A1 6/2007 Quinn
 2007/0134085 A1 6/2007 Daly et al.

FOREIGN PATENT DOCUMENTS

WO WO 2004/108198 12/2004
 WO WO 2004/112873 12/2004
 WO WO 2007/048205 5/2007

OTHER PUBLICATIONS

U.S. Appl. No. 29/274,506, filed Apr. 27, 2007.
 U.S. Appl. No. 29/274,504, filed Apr. 27, 2007.
 International Search Report, Appln. No. PCT/AU2006/001617, Jan. 5, 2007.
 U.S. Appl. No. 29/106,701.
 U.S. Appl. No. 29/371,228, filed Dec. 6, 2010.

* cited by examiner

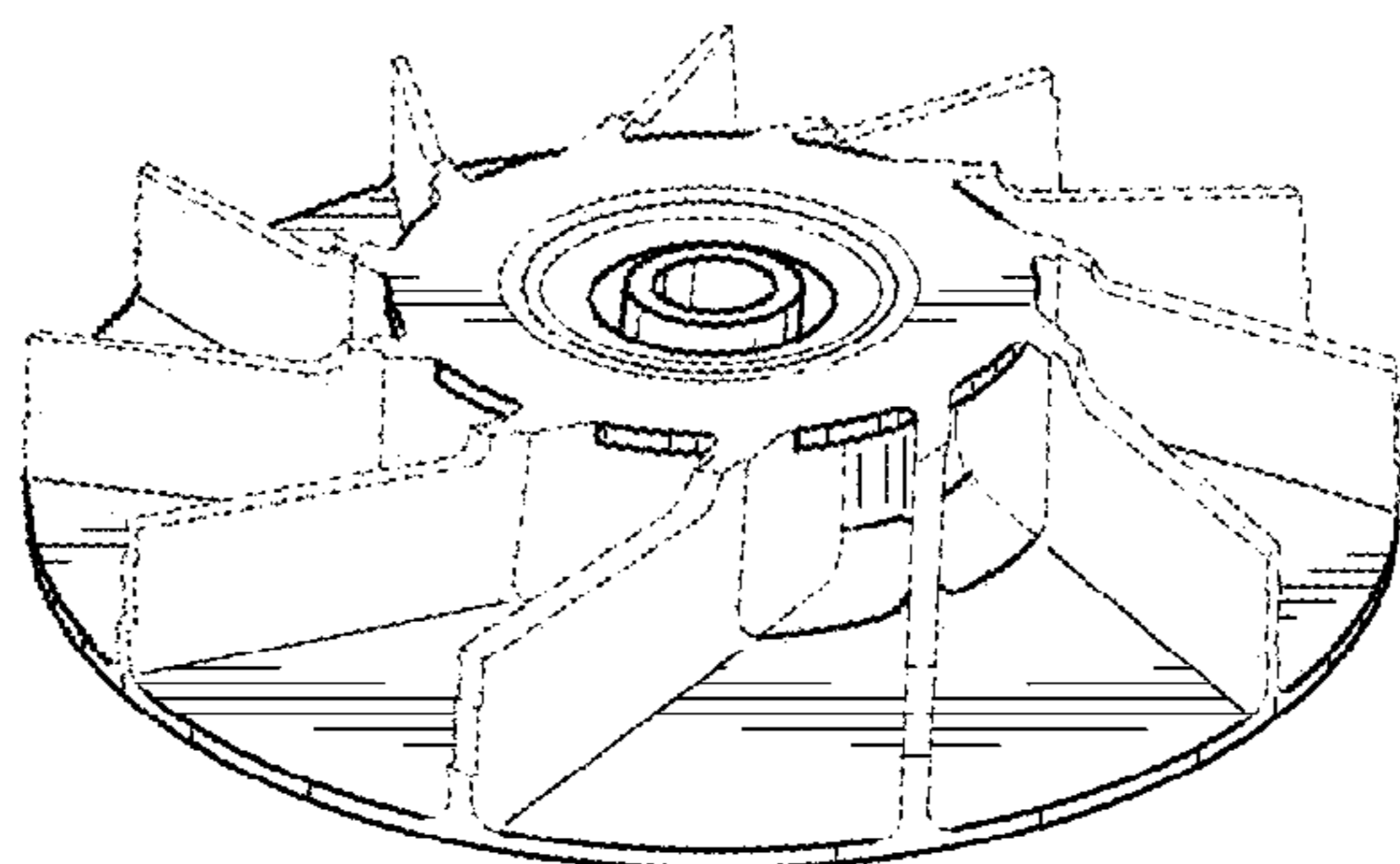


FIG. 1

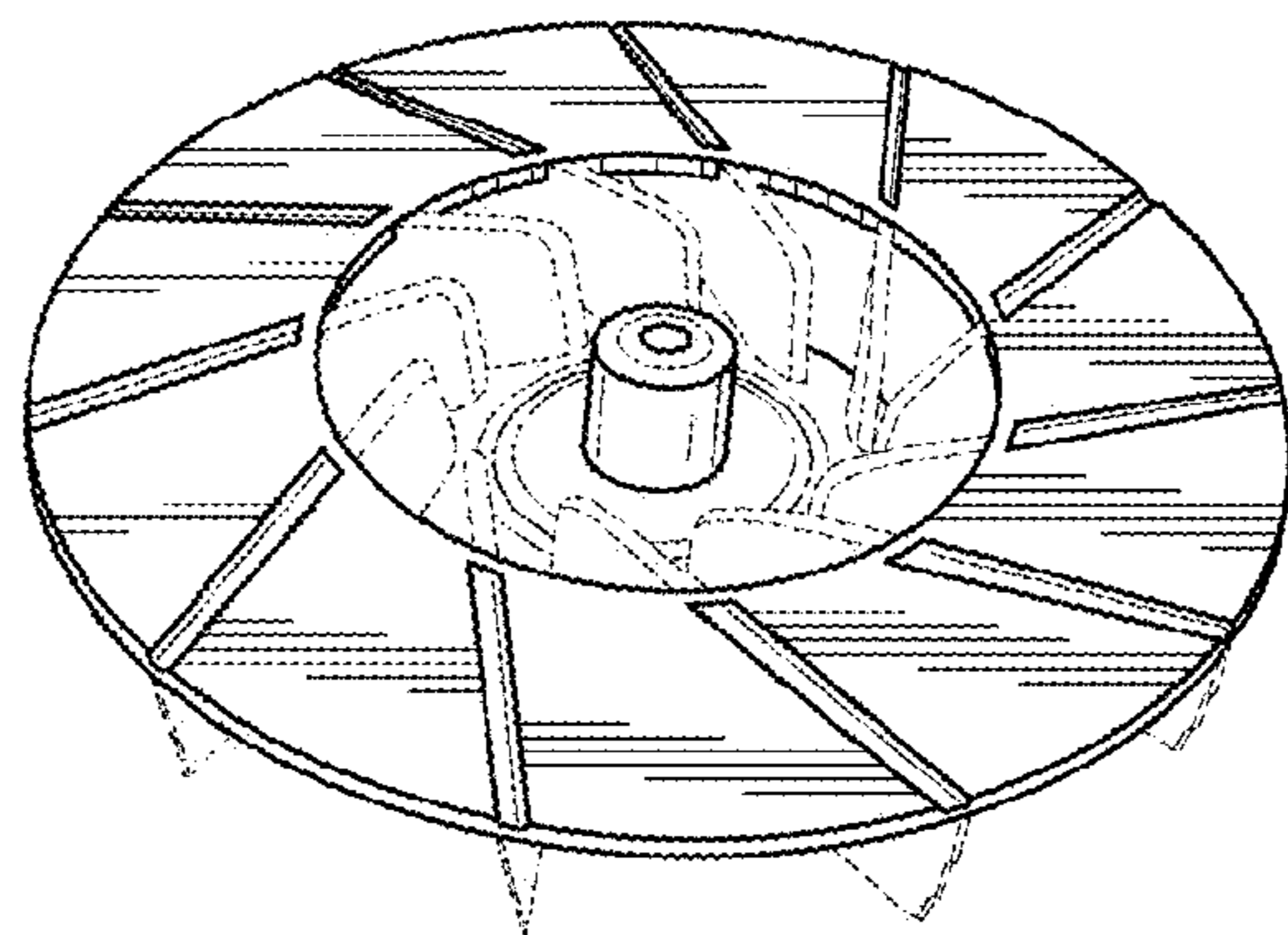


FIG. 2

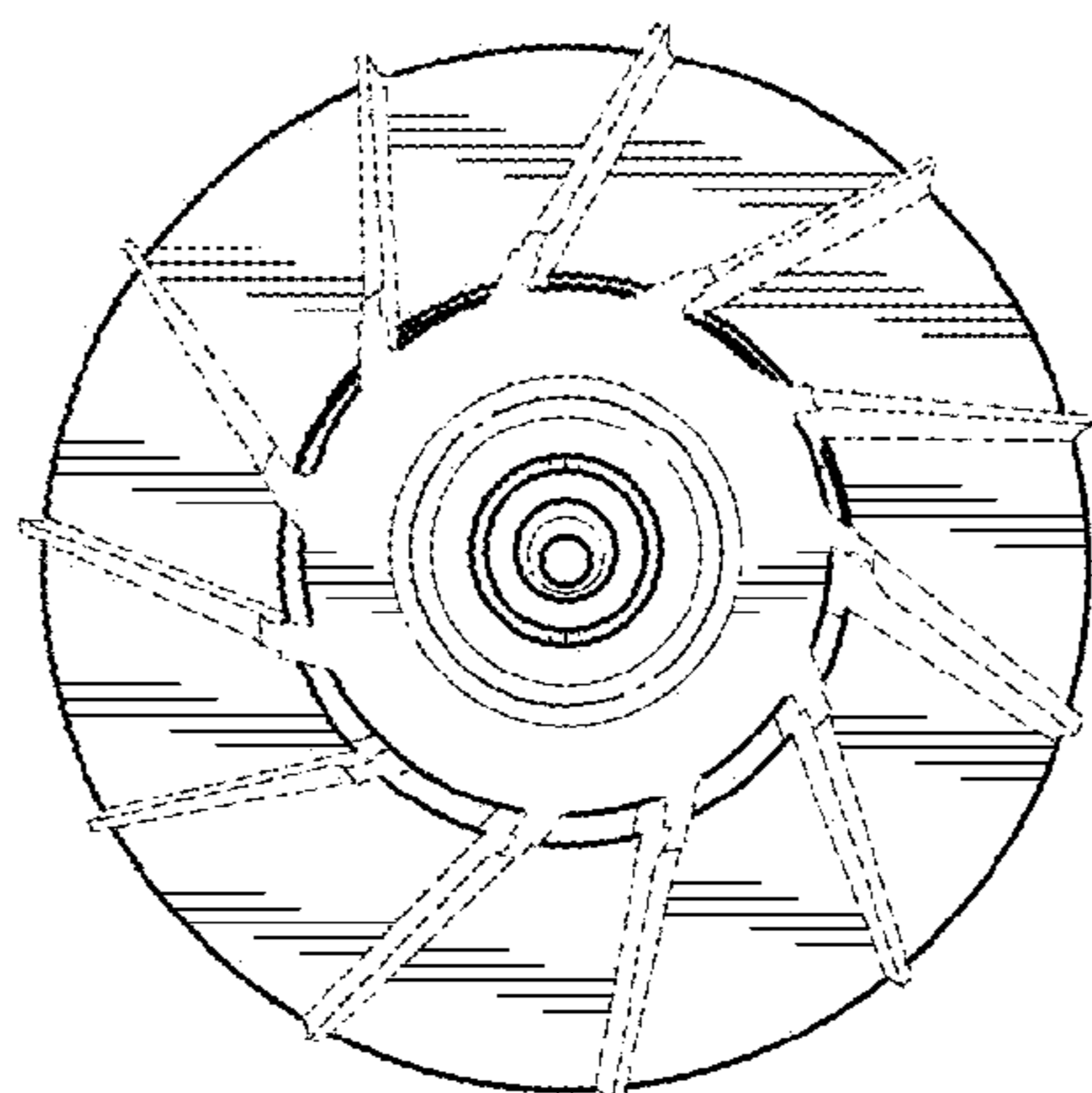


FIG. 3

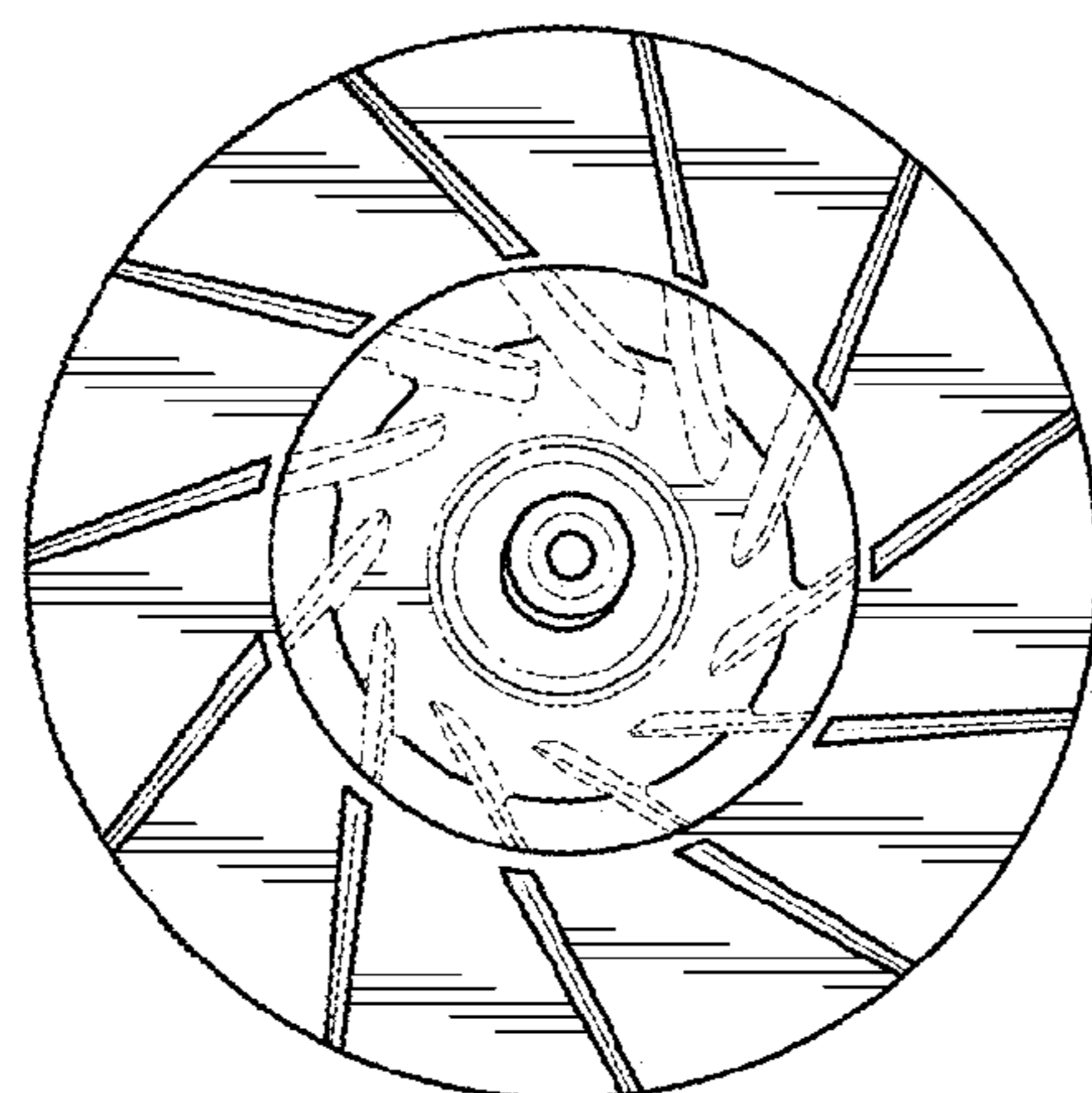


Fig. 4

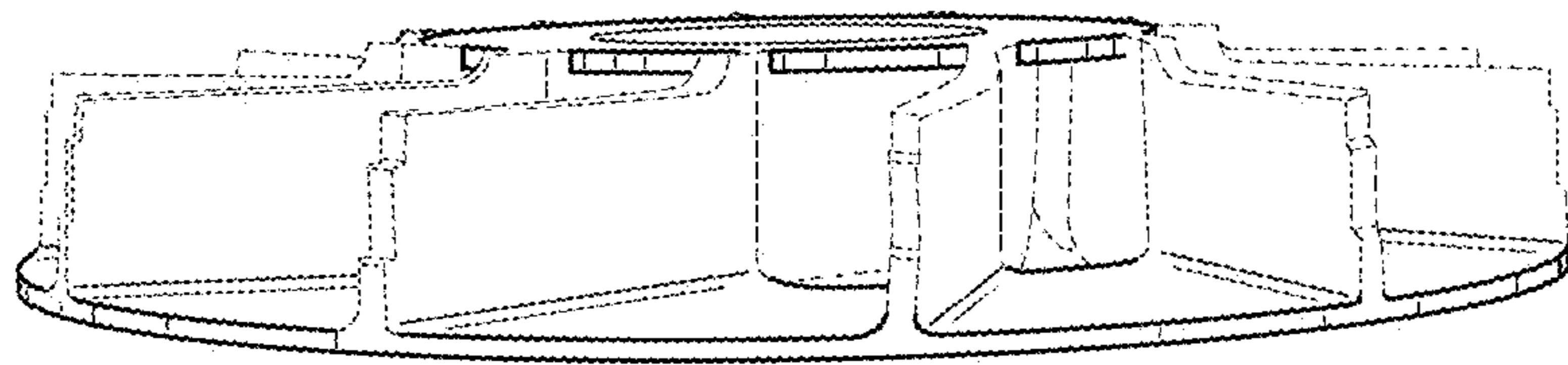


Fig. 5

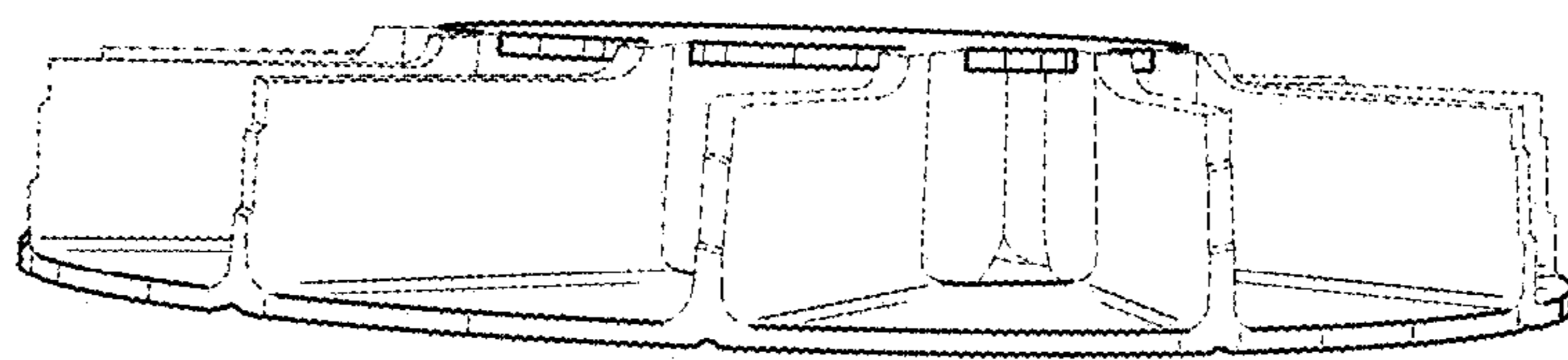


Fig. 6

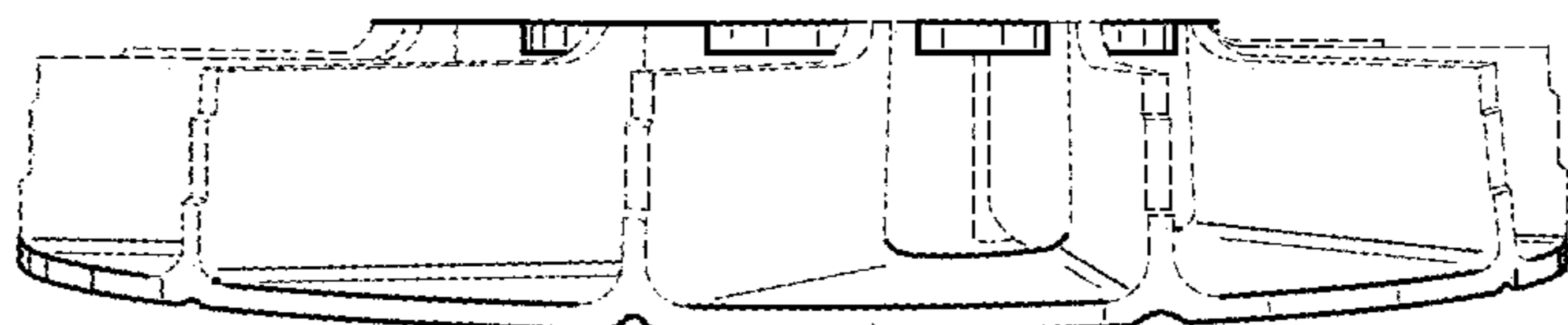


Fig. 7

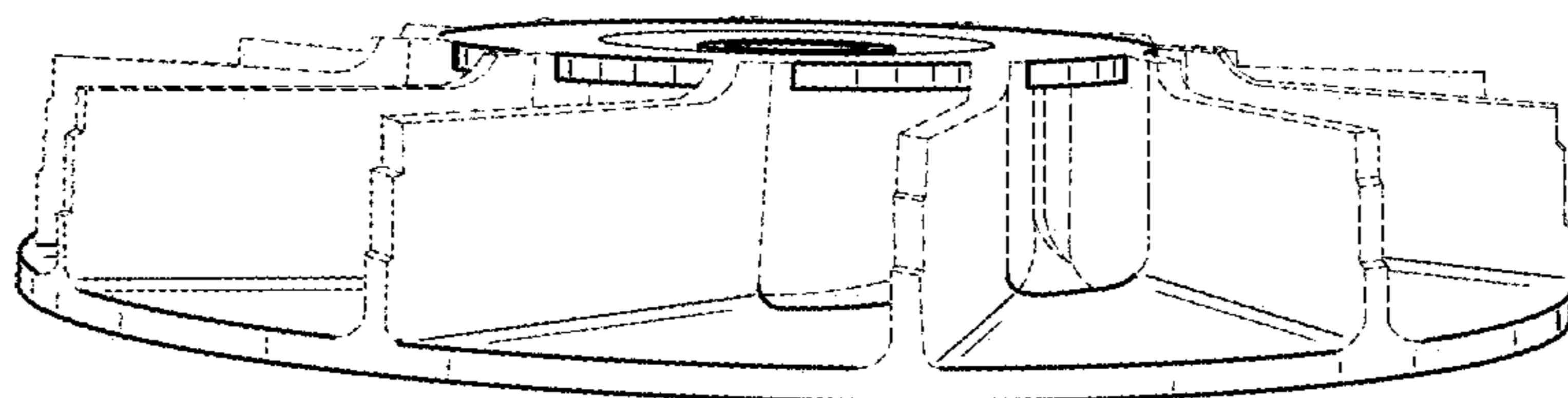


Fig. 8

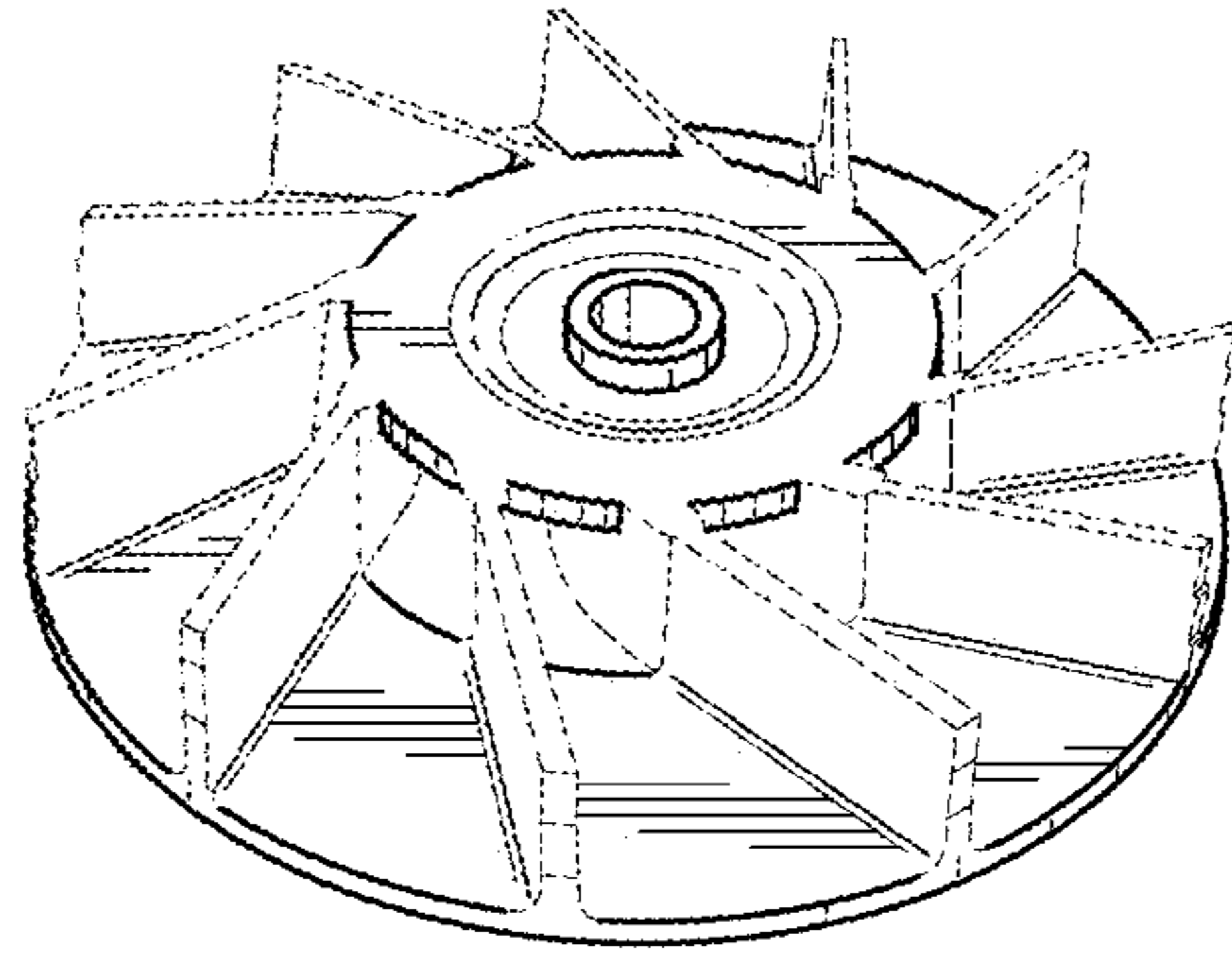


FIG. 9

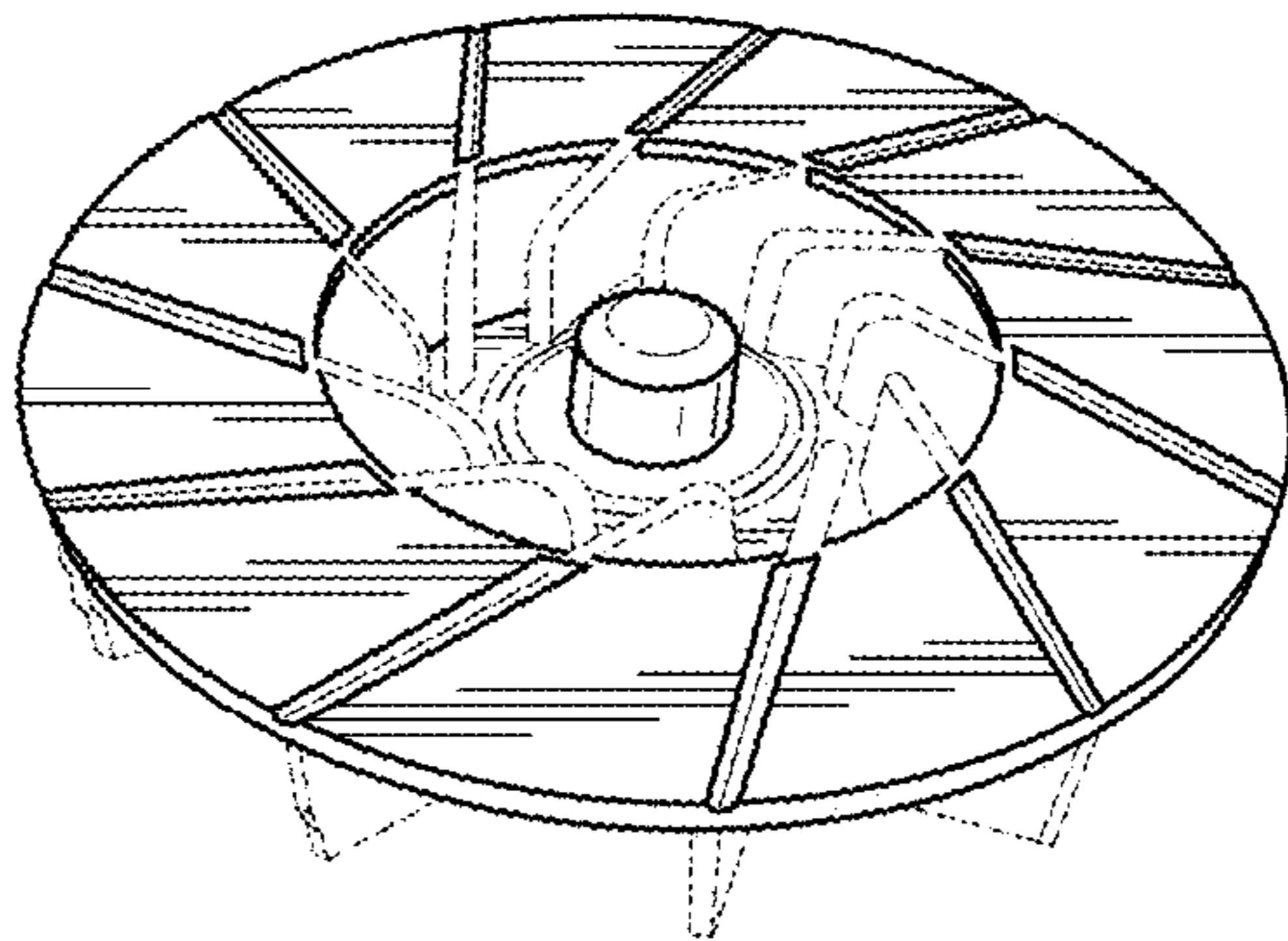


Fig. 10

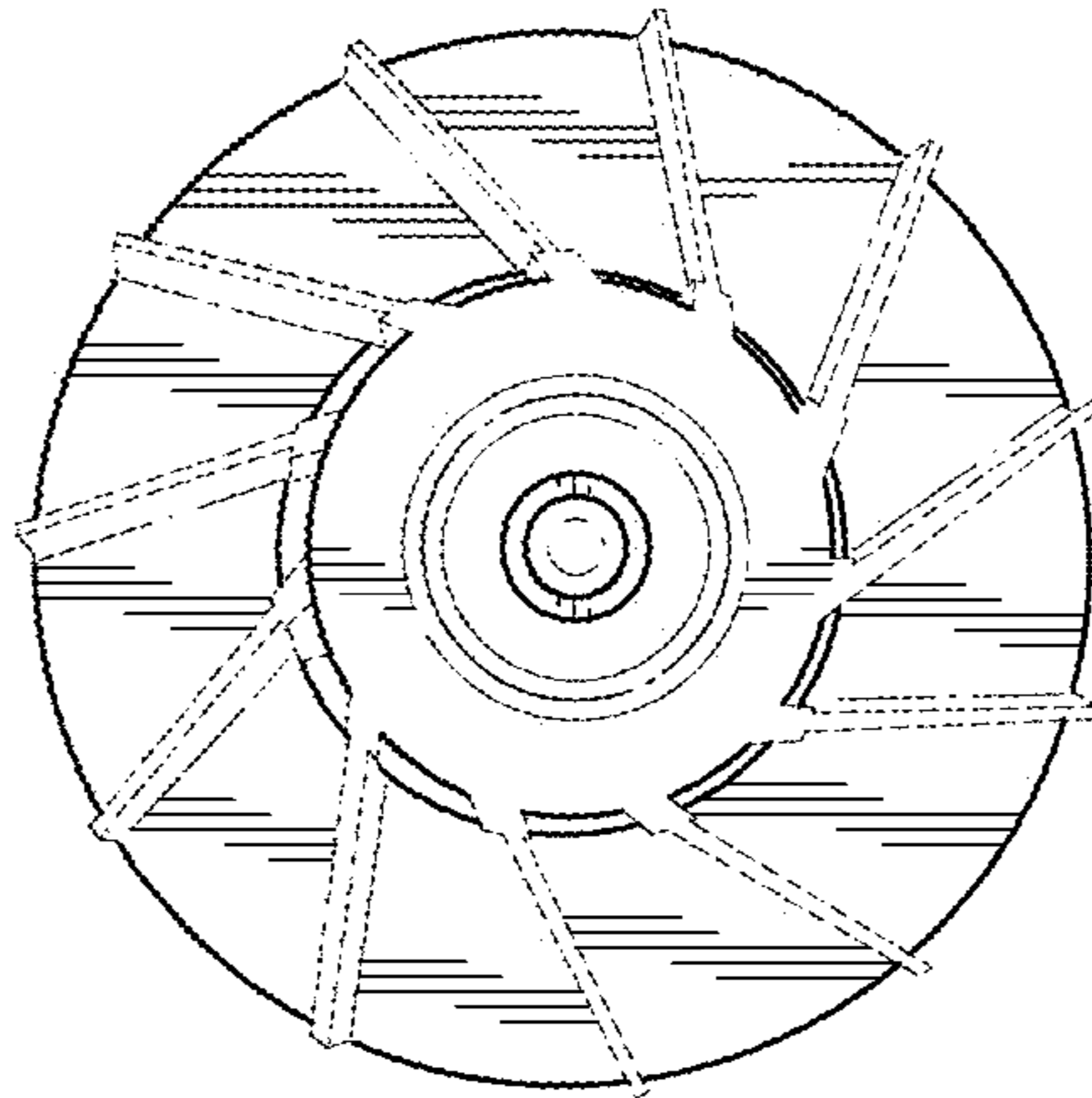


Fig. 11

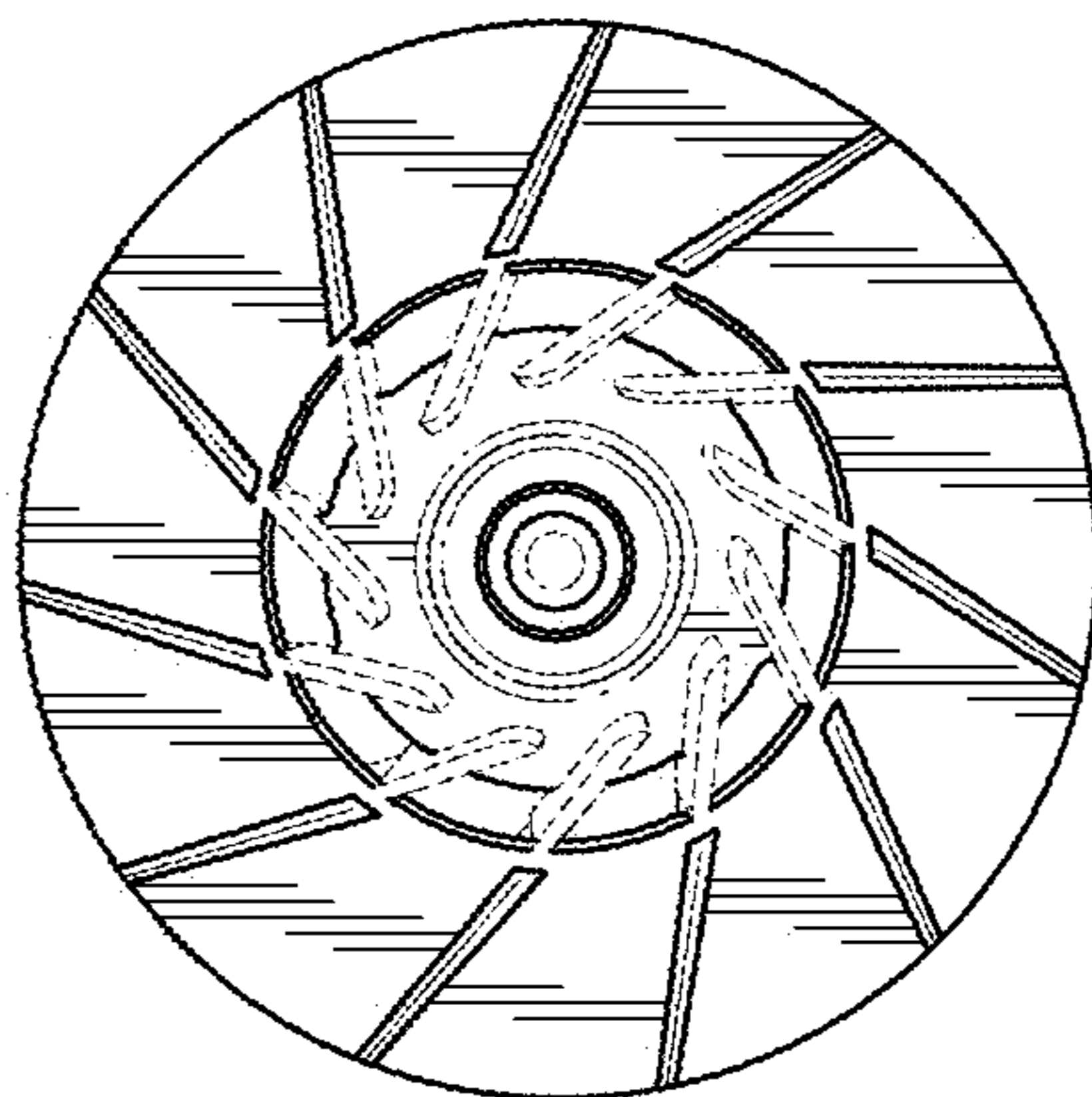


Fig. 12

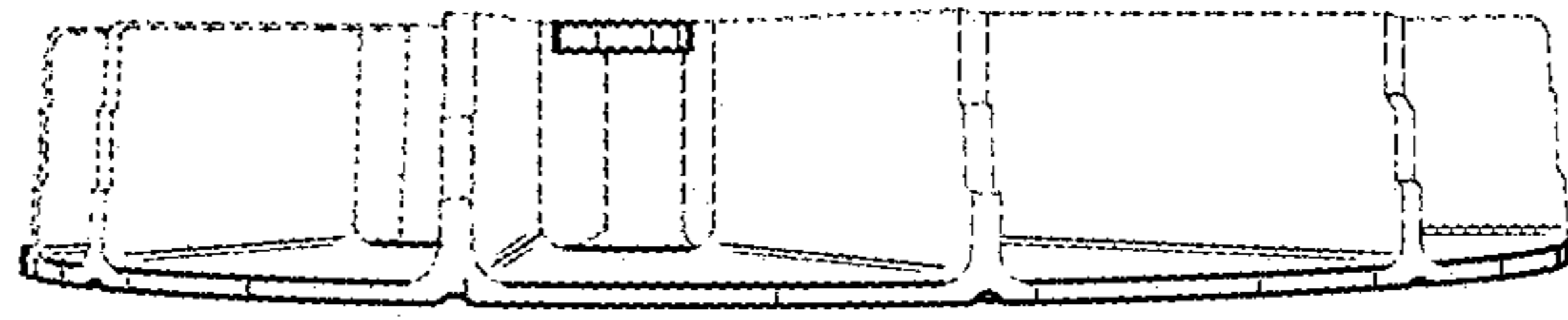


Fig. 13

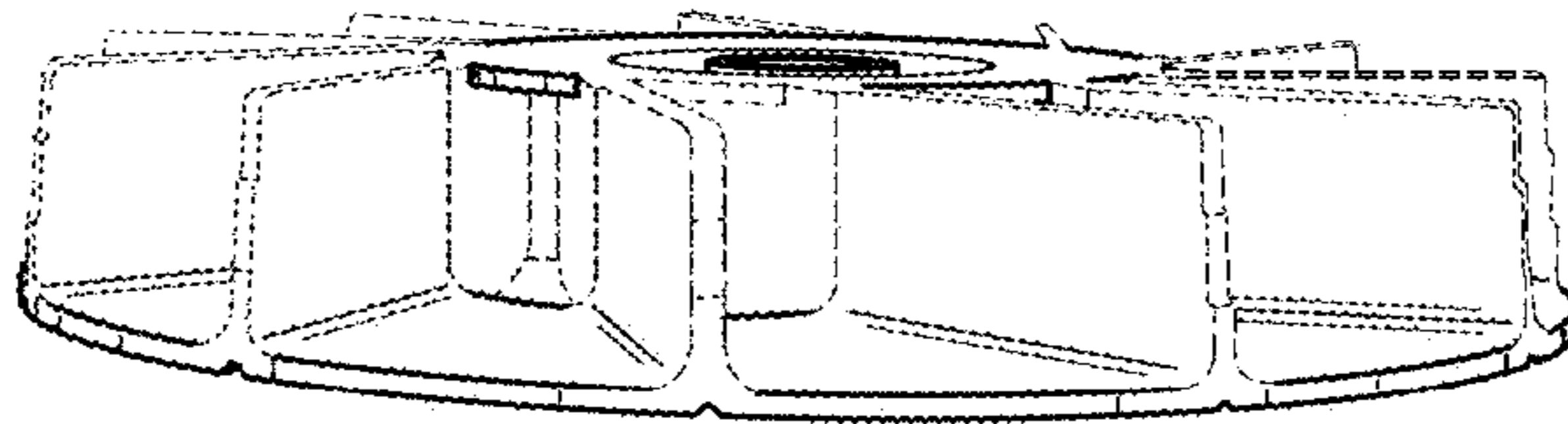


FIG. 14

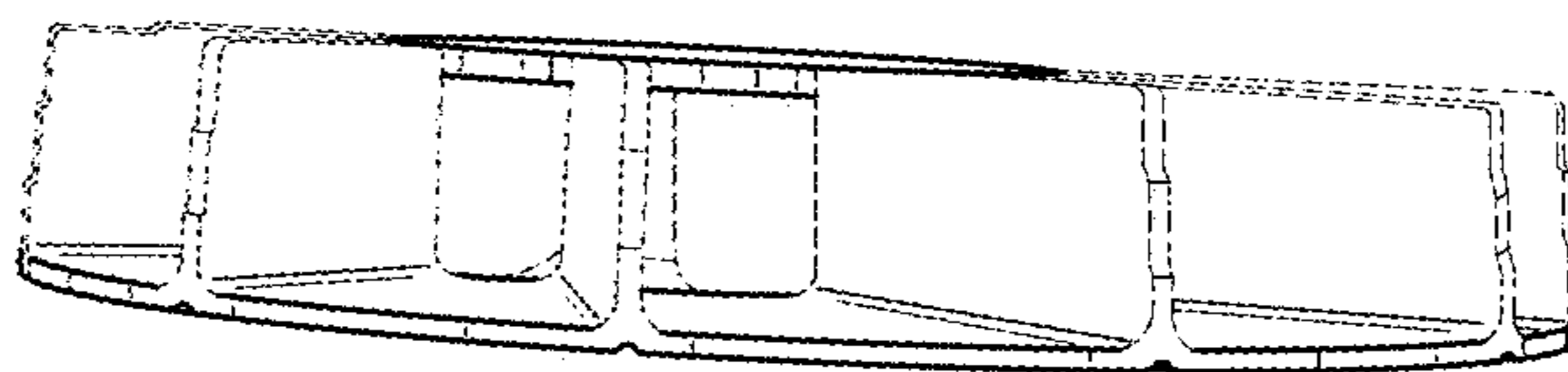


Fig. 15

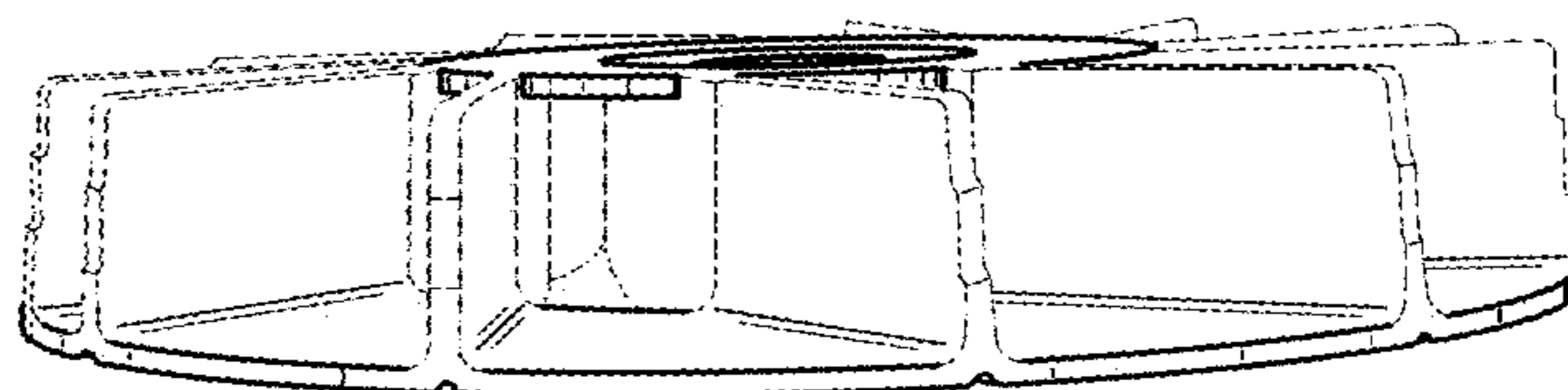


FIG. 16