

US00D699832S

(12) **United States Design Patent**
Lim

(10) **Patent No.:** **US D699,832 S**

(45) **Date of Patent:** **** Feb. 18, 2014**

(54) **PERSONAL FAN**

(71) Applicant: **Kok Jit Lim**, Greensboro, NC (US)

(72) Inventor: **Kok Jit Lim**, Greensboro, NC (US)

(73) Assignee: **Creative Concepts, International, LLC**, Greensboro, NC (US)

(**) Term: **14 Years**

(21) Appl. No.: **29/454,750**

(22) Filed: **May 14, 2013**

(51) **LOC (10) Cl.** **23-04**

(52) **U.S. Cl.**
USPC **D23/379**; D23/380; D23/411

(58) **Field of Classification Search**
USPC D23/370–385, 411–414, 365, 364;
415/60, 66, 68, 208.1, 213.1, 214.1;
310/257; 361/695; 126/299 D, 299 R
See application file for complete search history.

(56) **References Cited**

U.S. PATENT DOCUMENTS

D269,103 S *	5/1983	Morgan	D21/775
D320,995 S *	10/1991	Fukuda et al.	D16/243
D408,905 S *	4/1999	Hadjikyriacou	D23/378
D451,992 S *	12/2001	Yuen	D23/377
D451,994 S *	12/2001	Yuen	D23/379
D475,777 S *	6/2003	Pennington	D23/379

D478,975 S *	8/2003	Gajewski	D23/377
D482,064 S *	11/2003	Steiner et al.	D19/36
D507,642 S *	7/2005	Radtke et al.	D23/379
D544,078 S *	6/2007	Geringer	D23/328
D559,966 S *	1/2008	Kit	D23/379
D565,720 S *	4/2008	Chen	D23/379
D591,842 S *	5/2009	Young	D23/380
D607,955 S *	1/2010	Lenhart	D21/775

* cited by examiner

Primary Examiner — Susan Bennett Hattan

Assistant Examiner — Janice Hallmark

(74) *Attorney, Agent, or Firm* — Blake P. Hurt

(57) **CLAIM**

The ornamental design for a personal fan, as shown and described.

DESCRIPTION

FIG. 1 is a front, left side perspective view of a personal fan showing my new design;

FIG. 2 is a front elevational view thereof;

FIG. 3 is a right side elevational view thereof, the left side elevational view being a mirror image thereof;

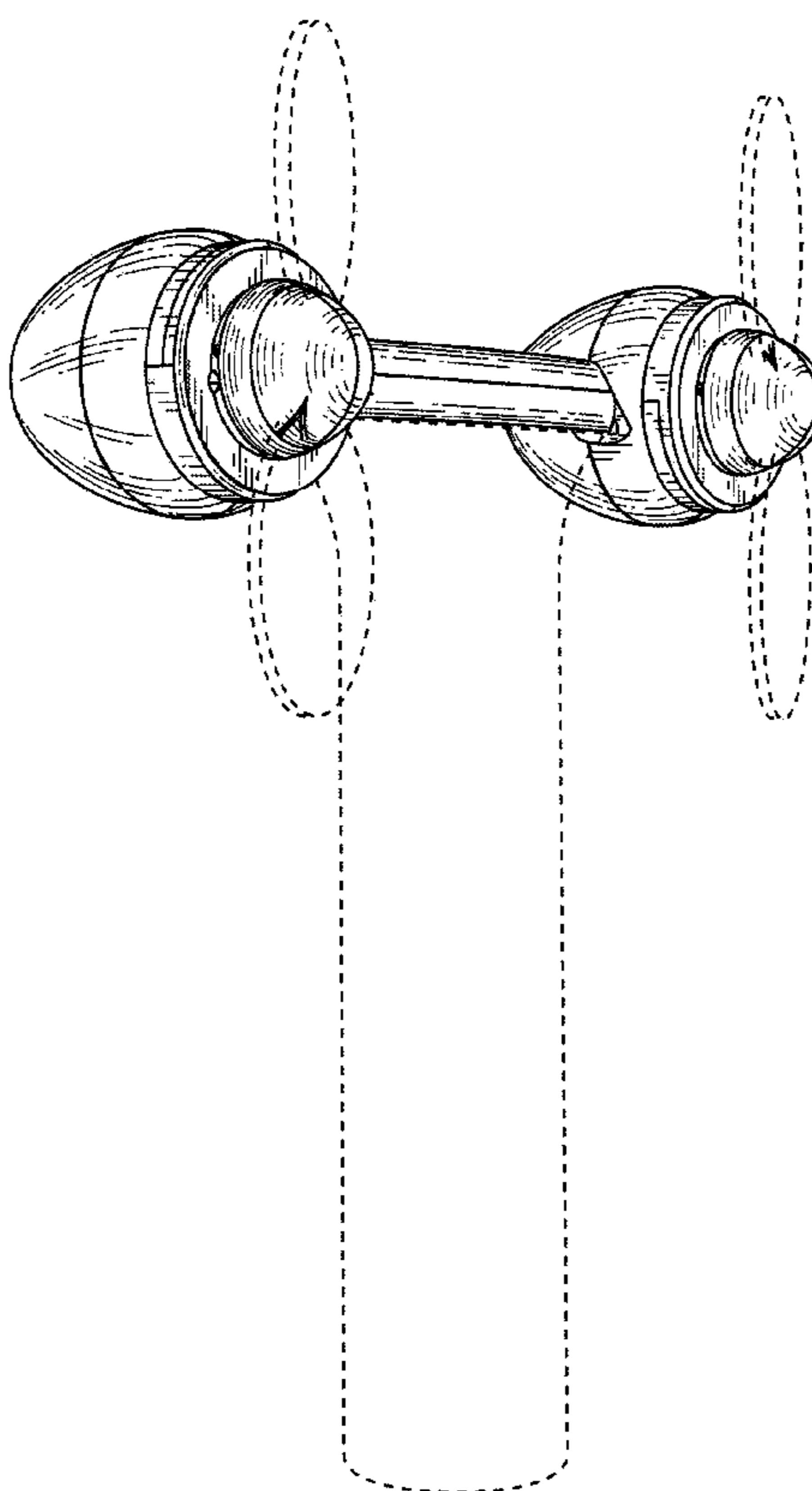
FIG. 4 is a top plan view thereof;

FIG. 5 is a bottom plan view thereof; and,

FIG. 6 is a rear elevational view thereof.

The fan blades and the handle shown in dashed lines in FIG. 1 are included for the purpose of illustrating environment and form no part of the claimed design.

1 Claim, 6 Drawing Sheets



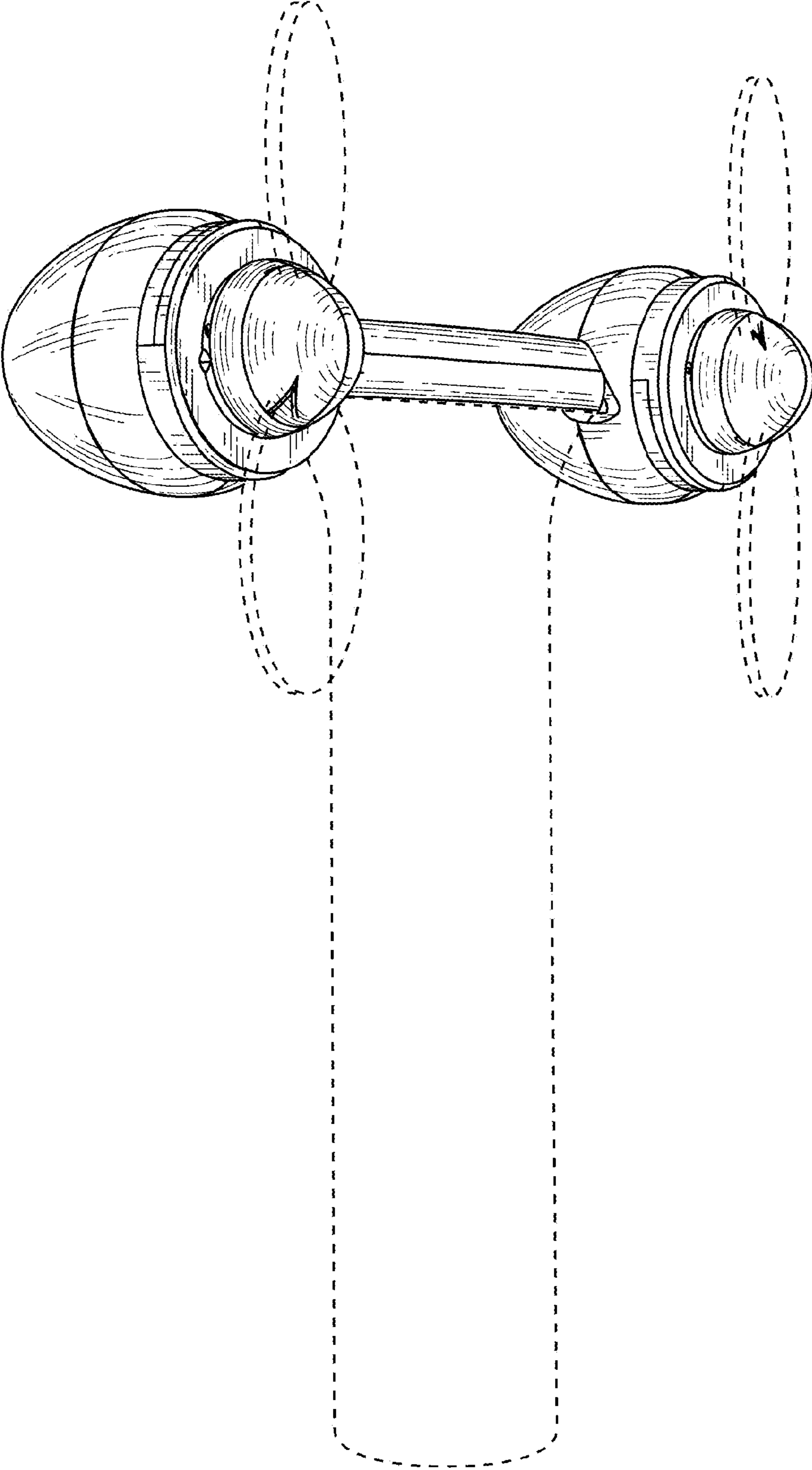


Fig. 1

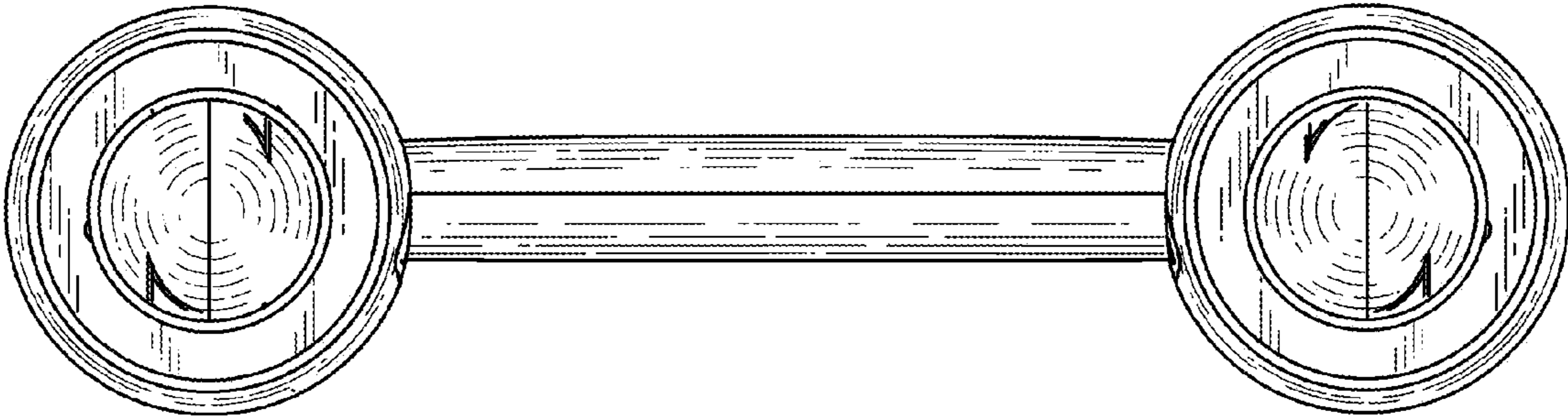


Fig. 2

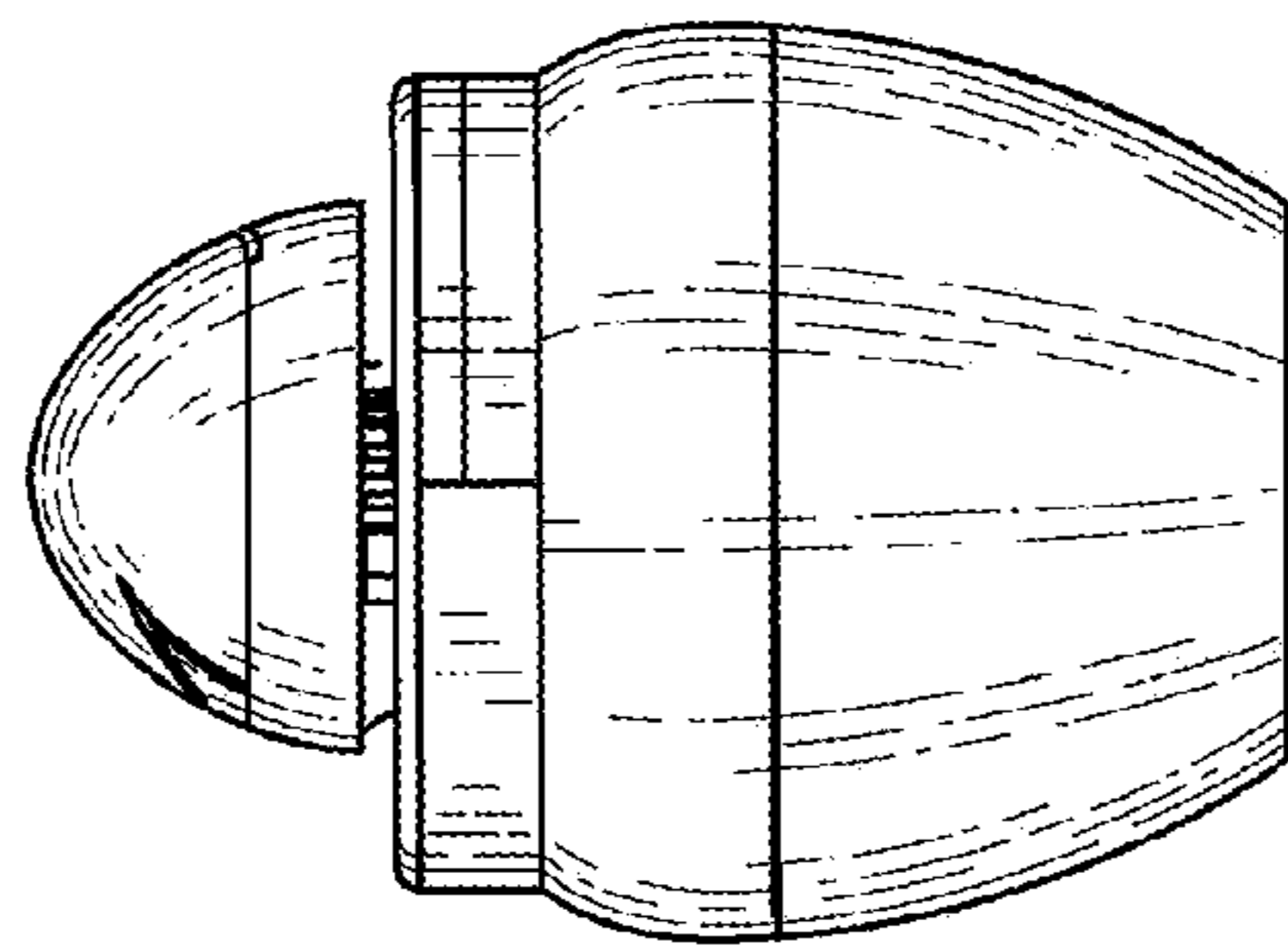


Fig. 3

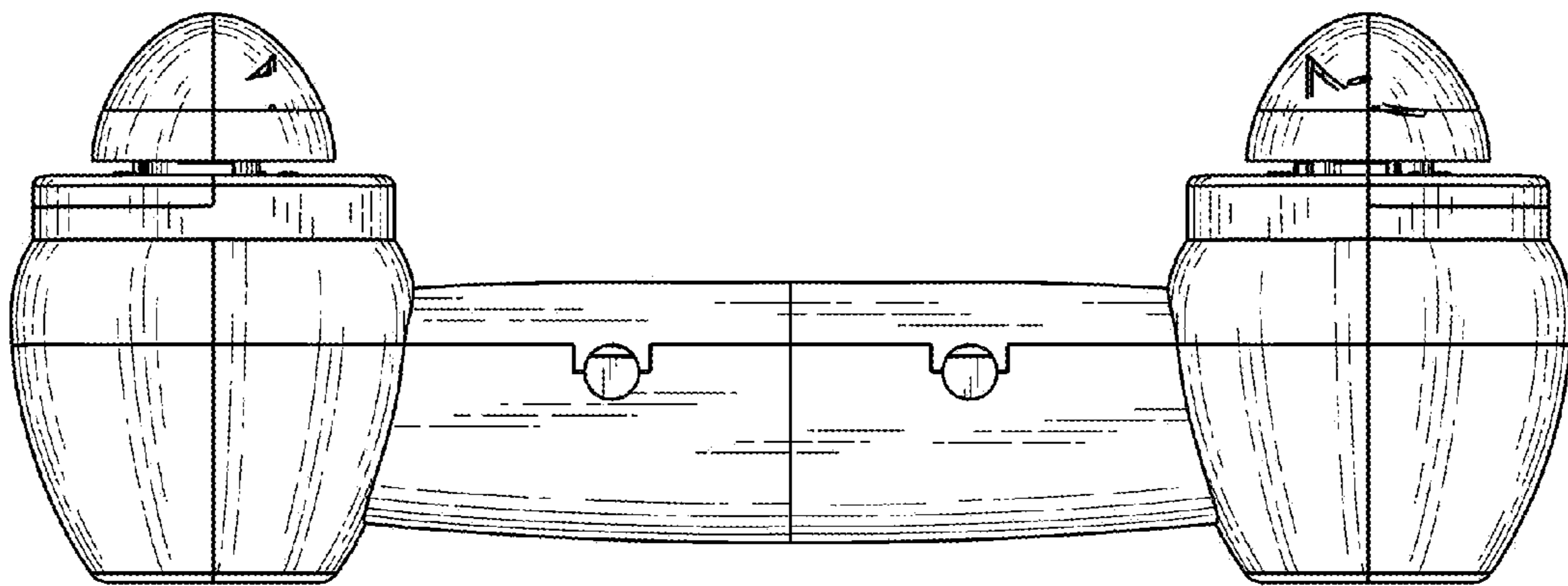


Fig. 4

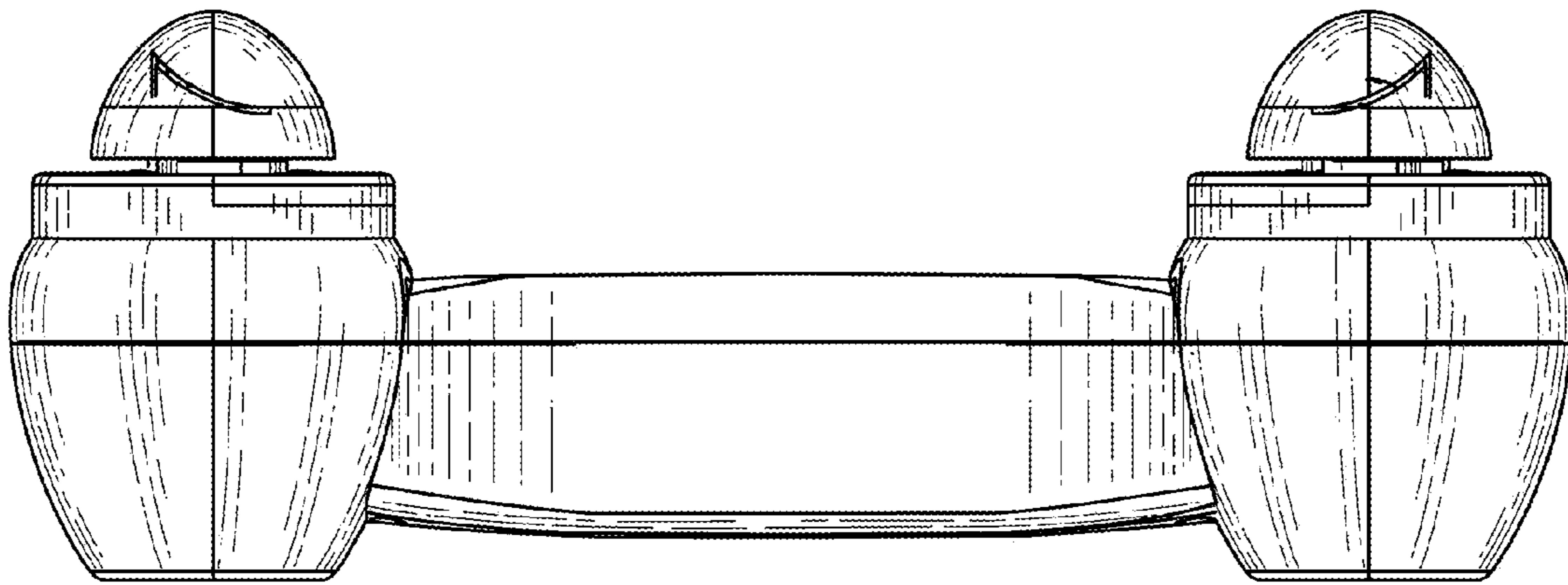


Fig. 5

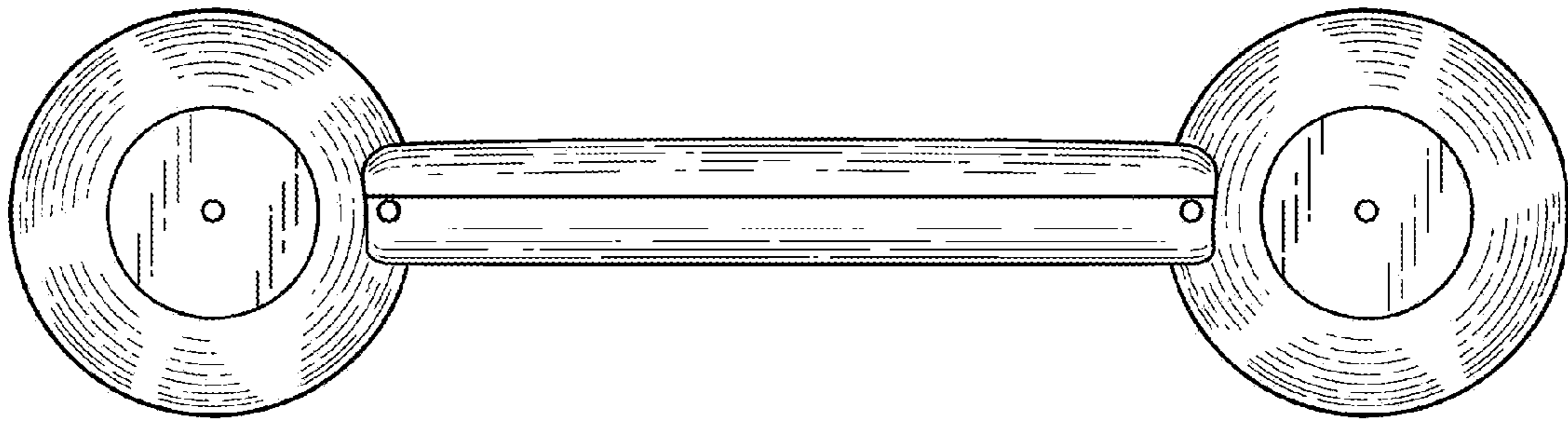


Fig. 6