



US00D699831S

(12) **United States Design Patent**
Funnell, II

(10) **Patent No.:** **US D699,831 S**
(45) **Date of Patent:** **** Feb. 18, 2014**

(54) **HOOD**

(71) Applicant: **BSH Home Appliances Corporation**,
Irvine, CA (US)

(72) Inventor: **Richard W. Funnell, II**, Huntington
Beach, CA (US)

(73) Assignee: **BSH Home Appliances Corporation**,
Irvine, CA (US)

(**) Term: **14 Years**

(21) Appl. No.: **29/465,544**

(22) Filed: **Aug. 29, 2013**

Related U.S. Application Data

(62) Division of application No. 29/411,505, filed on Jan. 23, 2012, which is a division of application No. 29/355,314, filed on Feb. 5, 2010, now Pat. No. Des. 659,232.

(51) **LOC (10) Cl.** **23-04**

(52) **U.S. Cl.**
USPC **D23/371**

(58) **Field of Classification Search**

USPC D13/179; D23/370-394, 411-414;
D26/51, 59, 72, 81-86; 34/169;
52/302.1, 302.7; 55/DIG. 36; 123/41.7;
126/58, 60, 61, 64-66, 84,
126/299 D-299 F, 299 R, 300, 301, 312, 531;
138/118, 121, 172, 173, 177; 165/54,
165/59; 285/133.6; 392/364; 415/126, 127,
415/213.1, 214.1; 416/5, 204 R, 210 R, 234,
416/237, 244 R, 247 R; 454/41, 42, 233,
454/236, 250-253, 275-277, 284, 309, 367,
454/368

See application file for complete search history.

(56) **References Cited**

U.S. PATENT DOCUMENTS

5,230,327	A *	7/1993	Jang et al.	126/299 R
6,782,885	B1 *	8/2004	Chiang et al.	126/299 R
7,041,159	B2 *	5/2006	Entezarian et al.	96/135
D532,507	S *	11/2006	Vetter	D23/372
7,166,140	B2 *	1/2007	Entezarian et al.	55/320
D571,446	S *	6/2008	Martin et al.	D23/372
D611,591	S *	3/2010	Grey	D23/372
D614,756	S *	4/2010	Grey	D23/372
7,699,051	B2 *	4/2010	Gagas et al.	126/299 D
D659,232	S *	5/2012	Funnell, II	D23/371
D677,775	S *	3/2013	Funnell, II	D23/371

* cited by examiner

Primary Examiner — Randall Gholson

(74) *Attorney, Agent, or Firm* — James E. Howard; Andre Pallapies

(57) **CLAIM**

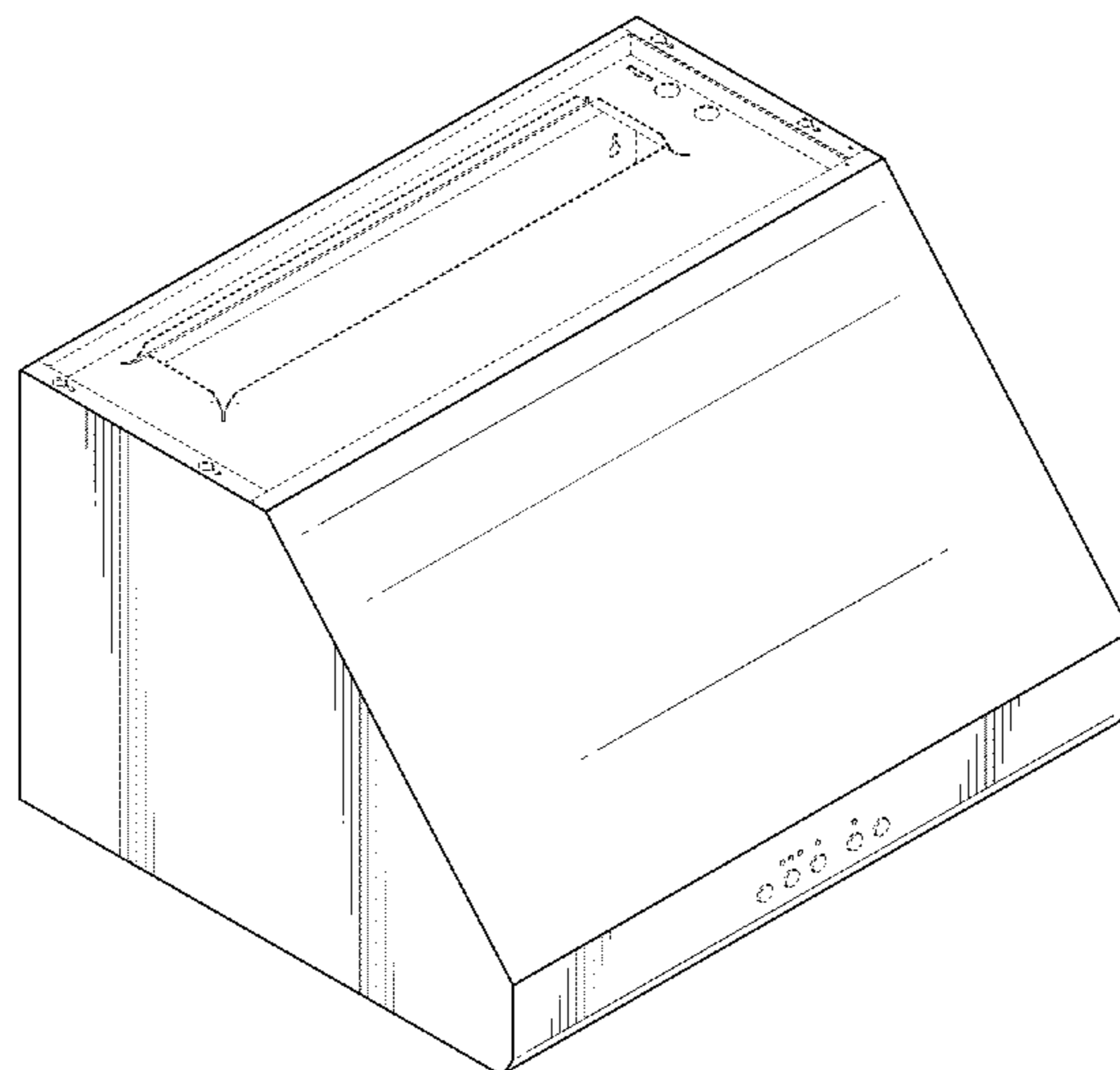
The ornamental design for a hood, as shown and described.

DESCRIPTION

FIG. 1 is a front perspective view showing a hood according to my new design;
FIG. 2 is a front view thereof;
FIG. 3 is a rear view thereof;
FIG. 4 is a top view thereof;
FIG. 5 is a bottom view thereof;
FIG. 6 is a right side view thereof with the left side view thereof being a mirror image thereof;
FIG. 7 is a bottom perspective view thereof from the front, right corner; and,
FIG. 8 is a top perspective view thereof from the rear, right corner.

Throughout the various figures of the drawings, certain views may not be provided. The omission of a particular view is intended to convey that the element(s) depicted is/are plain and unornamented in that omitted view, or that the particular ornamental appearance in that view is simply not claimed. The broken lines represent environment or structure of the hood and do not form a part of the claimed design.

1 Claim, 8 Drawing Sheets



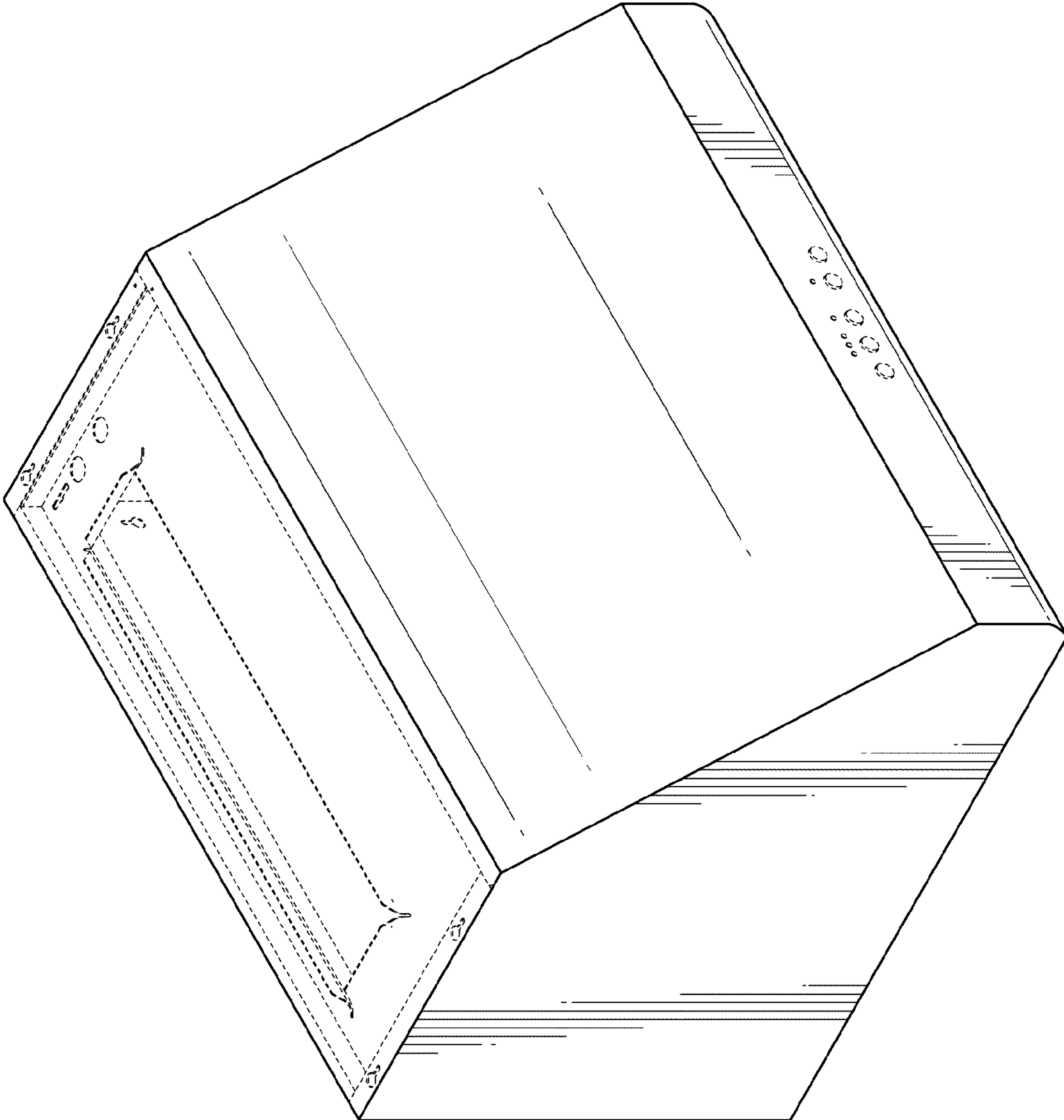


Fig. 1

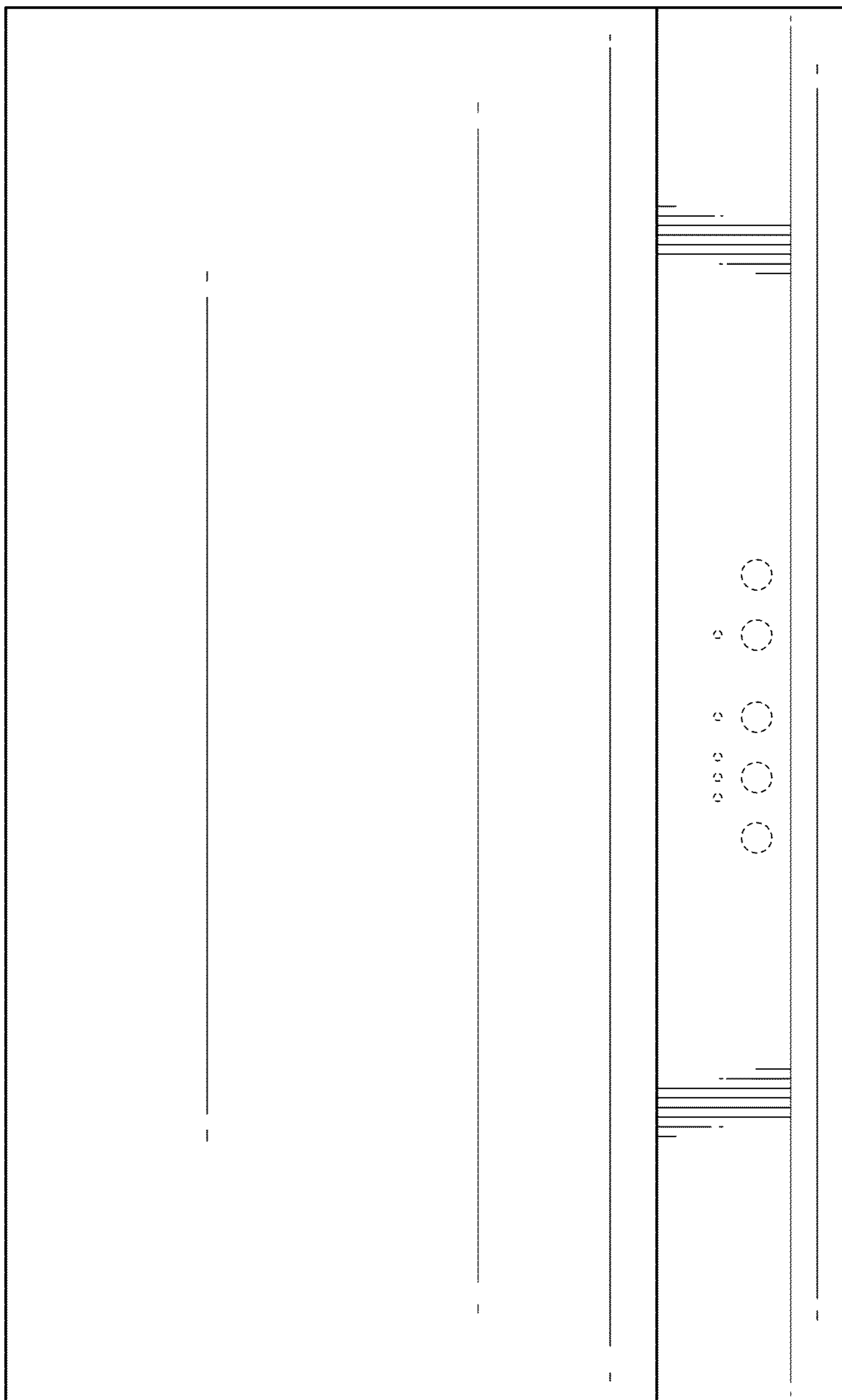


Fig. 2

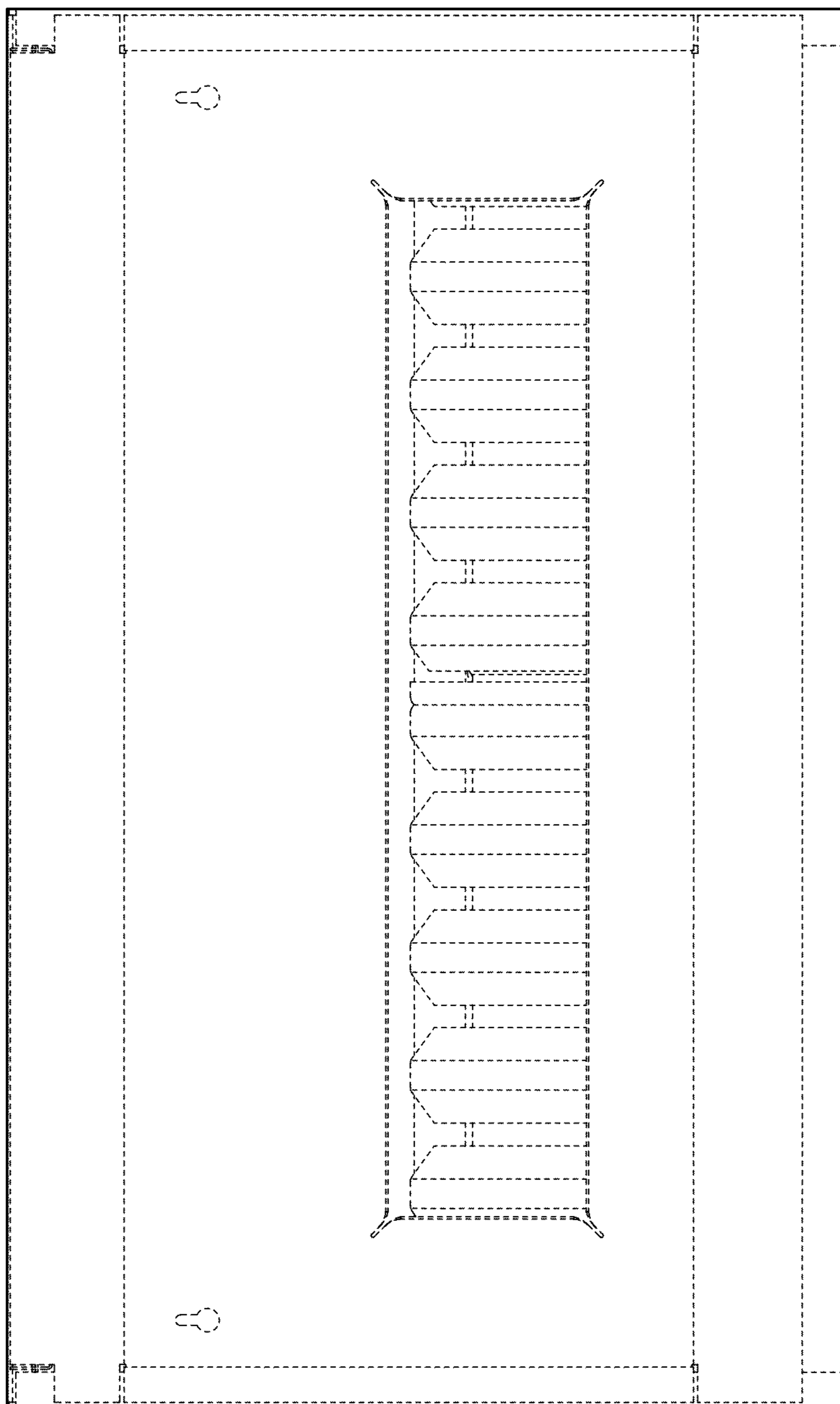


Fig. 3

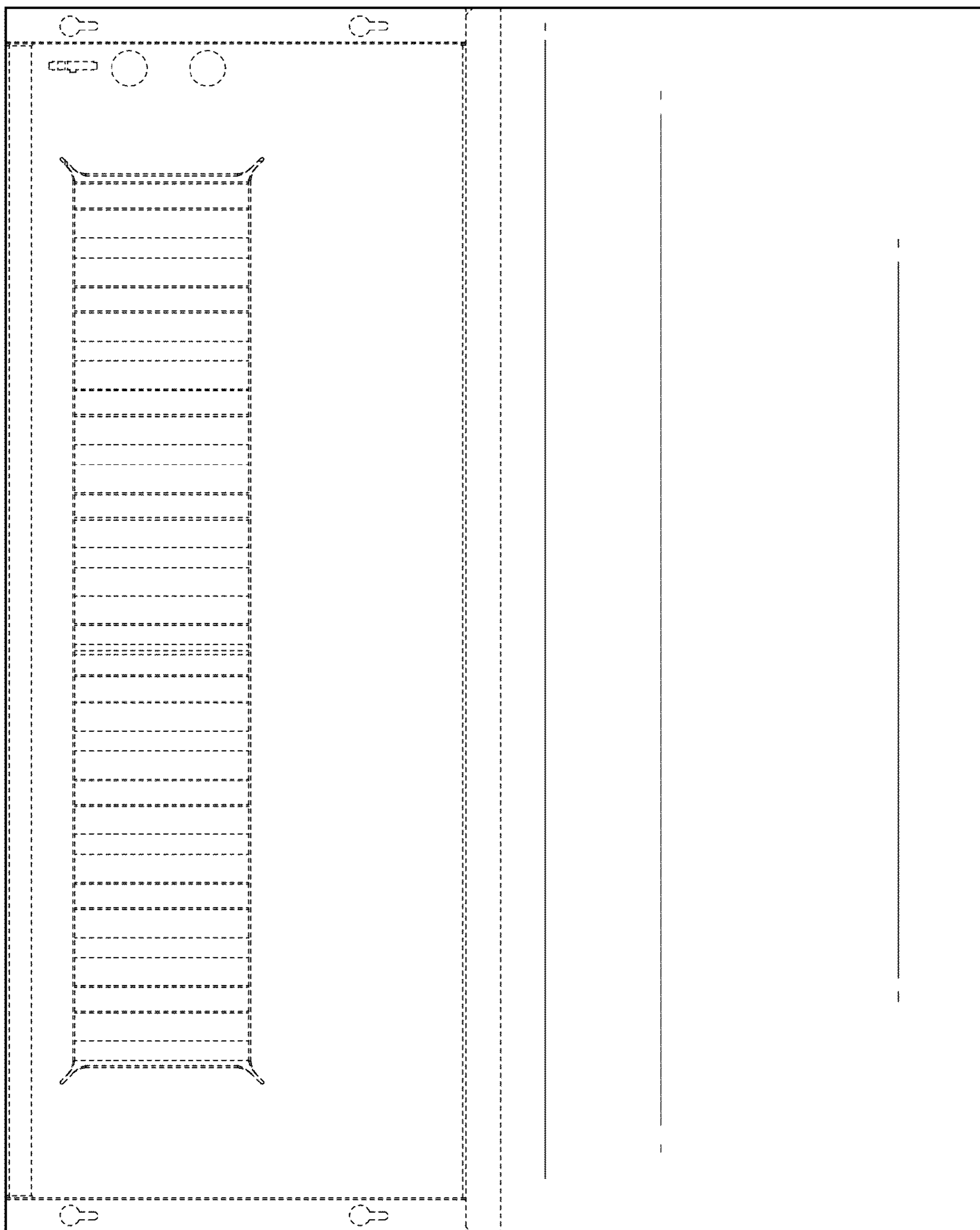


Fig. 4

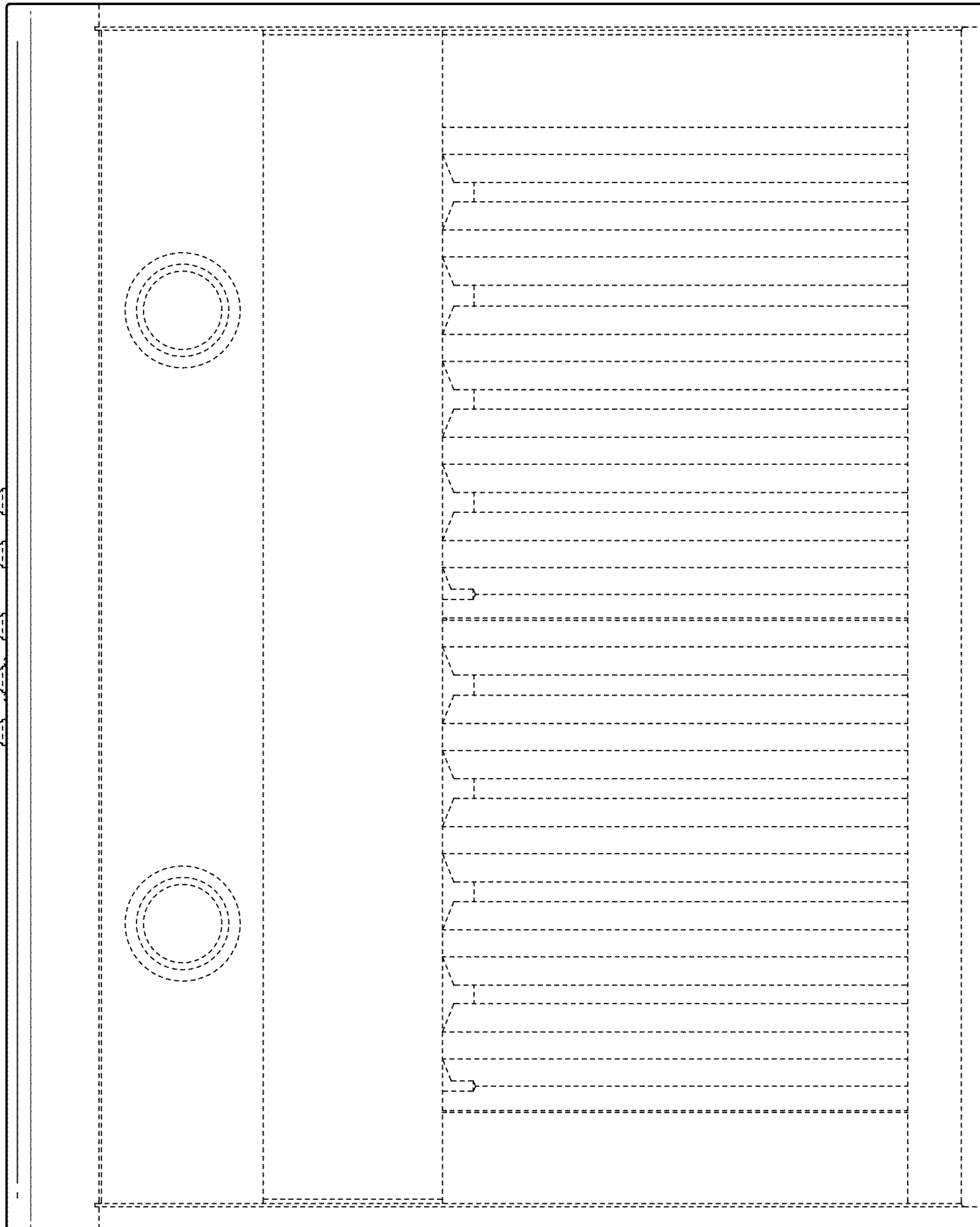


Fig. 5

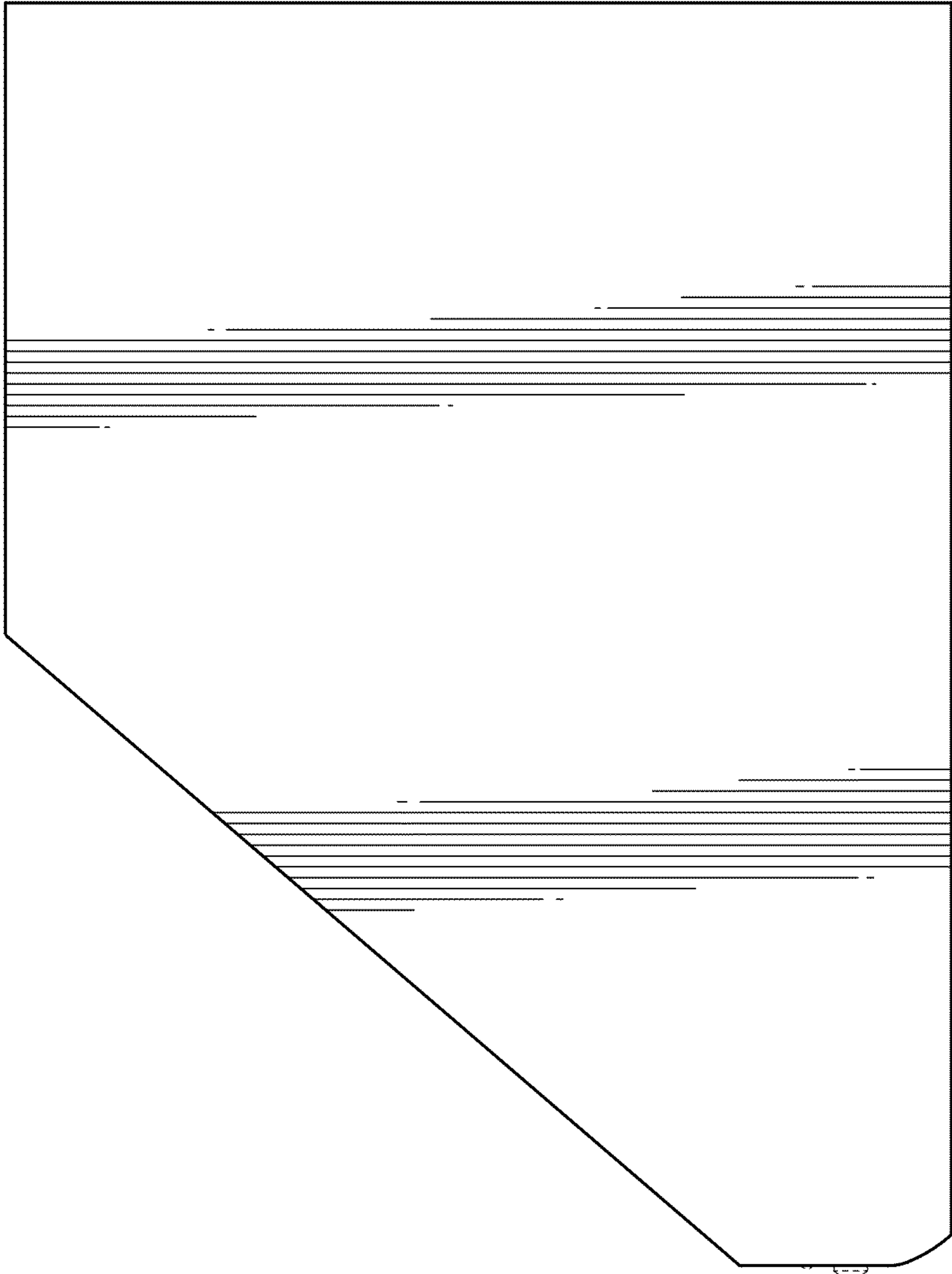


Fig. 6

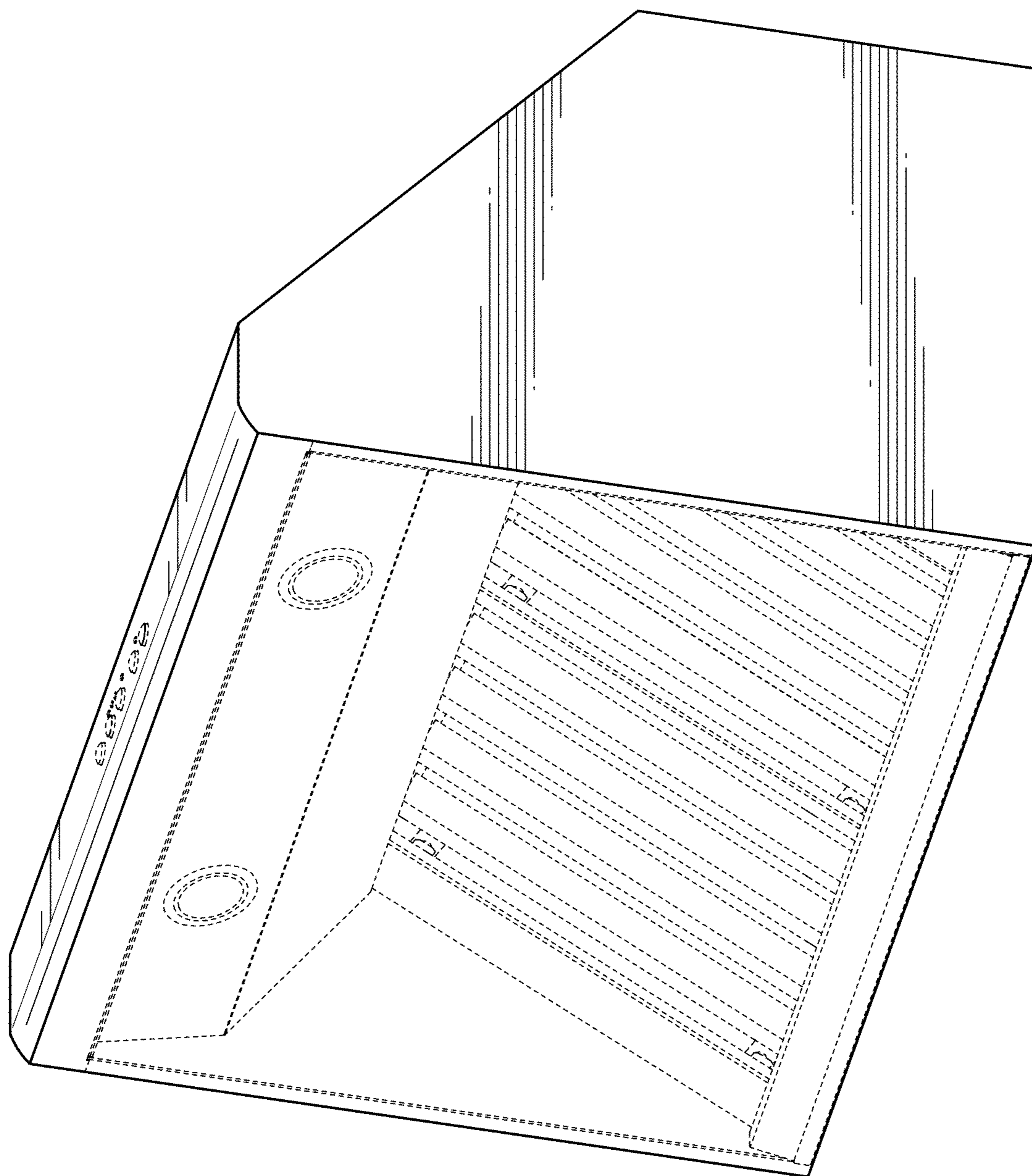


Fig. 7

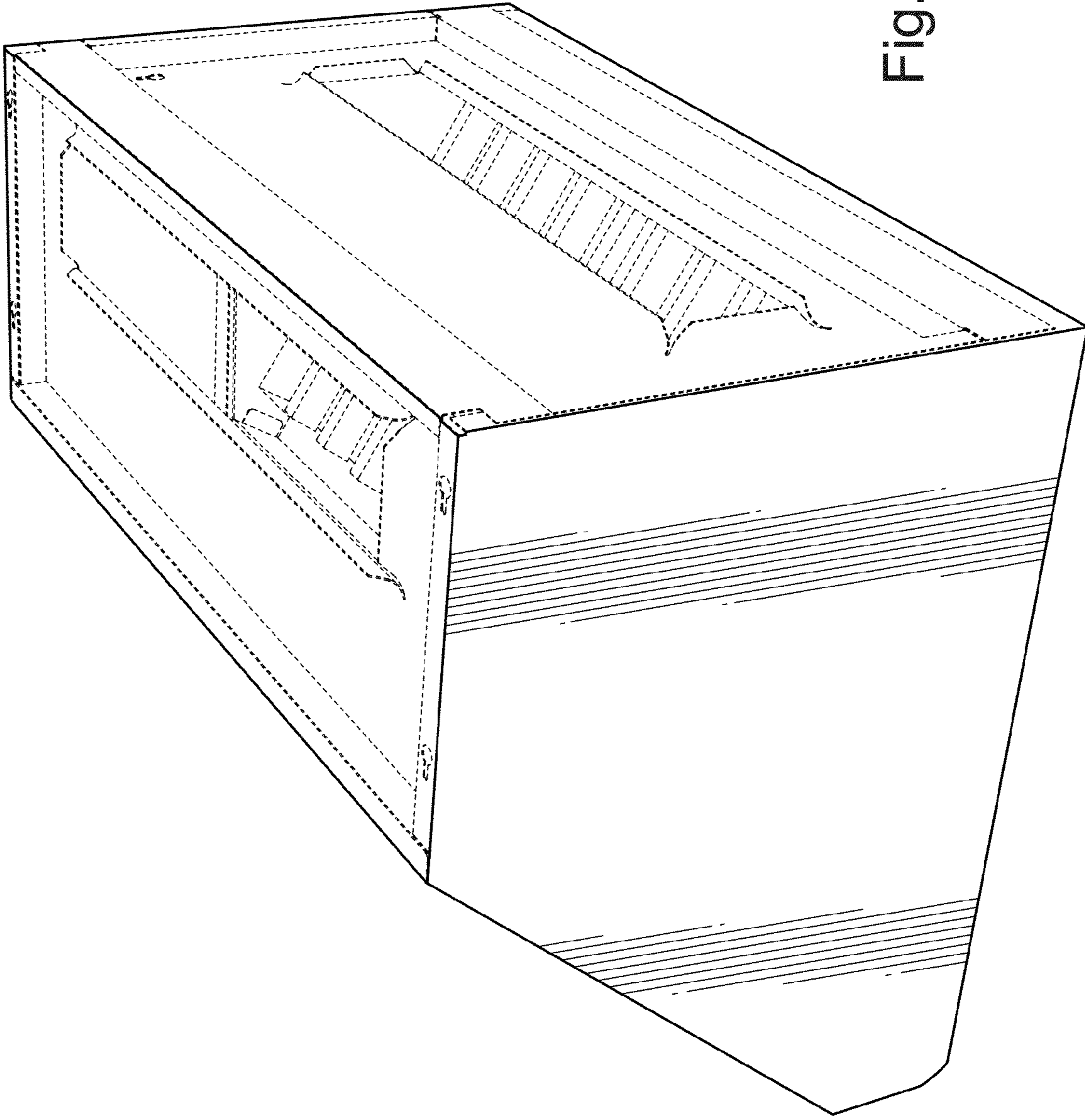


Fig. 8