



US00D699830S

(12) **United States Design Patent**  
**Bisla et al.**

(10) **Patent No.:** **US D699,830 S**  
(45) **Date of Patent:** **\*\* Feb. 18, 2014**

- (54) **NOVELTY FAN**
- (71) Applicants: **Jagdip S. Bisla**, Fresno, CA (US);  
**Robby Chima**, Fresno, CA (US)
- (72) Inventors: **Jagdip S. Bisla**, Fresno, CA (US);  
**Robby Chima**, Fresno, CA (US)
- (73) Assignee: **Jagdip S. Bisla**, Fresno, CA (US)
- (\*\*) Term: **14 Years**
- (21) Appl. No.: **29/465,080**
- (22) Filed: **Aug. 23, 2013**

**Related U.S. Application Data**

- (62) Division of application No. 29/416,823, filed on Mar. 27, 2012, now Pat. No. Des. 690,804.

(51) **LOC (10) Cl.** ..... **23-04**

(52) **U.S. Cl.**  
USPC ..... **D23/370; D23/381**

(58) **Field of Classification Search**  
USPC ..... D23/314, 324, 328, 332, 335, 342, 355,  
D23/370, 377, 379, 381, 386, 411, 412, 413,  
D23/414, 378, 382; D10/6; D11/157;  
D12/129, 197; D14/189, 371; D26/26,  
D26/32, 47, 57, 73, 94, 125, 145, 146, 147,  
D26/156; D29/102, 103, 105-108, 110,  
D29/111; 2/410, 411, 414, 418, 425;  
415/90, 121.2, 181, 182.1, 208.2,  
415/211.2; 416/110, 206, 240, 244 R, 246,  
416/247 R

See application file for complete search history.

(56) **References Cited**

**U.S. PATENT DOCUMENTS**

D241,163 S *	8/1976	Zivica .....	D14/189
D246,934 S *	1/1978	Keller .....	D26/73
D257,888 S *	1/1981	Perich .....	D26/26

D292,823 S *	11/1987	St. Clair .....	D23/382
D306,203 S *	2/1990	Wei .....	D23/381
D308,637 S *	6/1990	Howe .....	D10/6
D311,594 S *	10/1990	Medina .....	D26/47
4,964,178 A *	10/1990	Giancarlo et al. ....	2/414
D320,476 S *	10/1991	Mele .....	D29/103
D321,845 S *	11/1991	Nys .....	D11/157
5,097,538 A *	3/1992	Feuling .....	2/410
D326,148 S *	5/1992	Lawlor .....	D23/382
D330,096 S *	10/1992	Heinrich .....	D29/107
D341,878 S *	11/1993	Cich, Jr. ....	D23/335
D376,641 S *	12/1996	Bucher .....	D23/377
D379,222 S *	5/1997	Kuo .....	D23/411
D382,953 S *	8/1997	Kuo .....	D23/377
5,815,847 A *	10/1998	Holden, Jr. ....	2/418
D416,083 S *	11/1999	Altman .....	D23/381
D426,545 S *	6/2000	Smith et al. ....	D14/371
6,128,786 A *	10/2000	Maddux et al. ....	2/418
6,301,718 B1 *	10/2001	Rigal .....	2/411
D456,885 S *	5/2002	Schmitt .....	D23/328
D461,152 S *	8/2002	Schmitt .....	D12/197
D479,019 S *	8/2003	Lishen .....	D29/102

(Continued)

*Primary Examiner* — Caron D Veynar

*Assistant Examiner* — Martie K Holtje

(74) *Attorney, Agent, or Firm* — Blue Capital Law Firm, P.C.

(57) **CLAIM**

The ornamental design for a novelty fan, as shown and described.

**DESCRIPTION**

FIG. 1 is a perspective view of a novelty fan showing our new design;

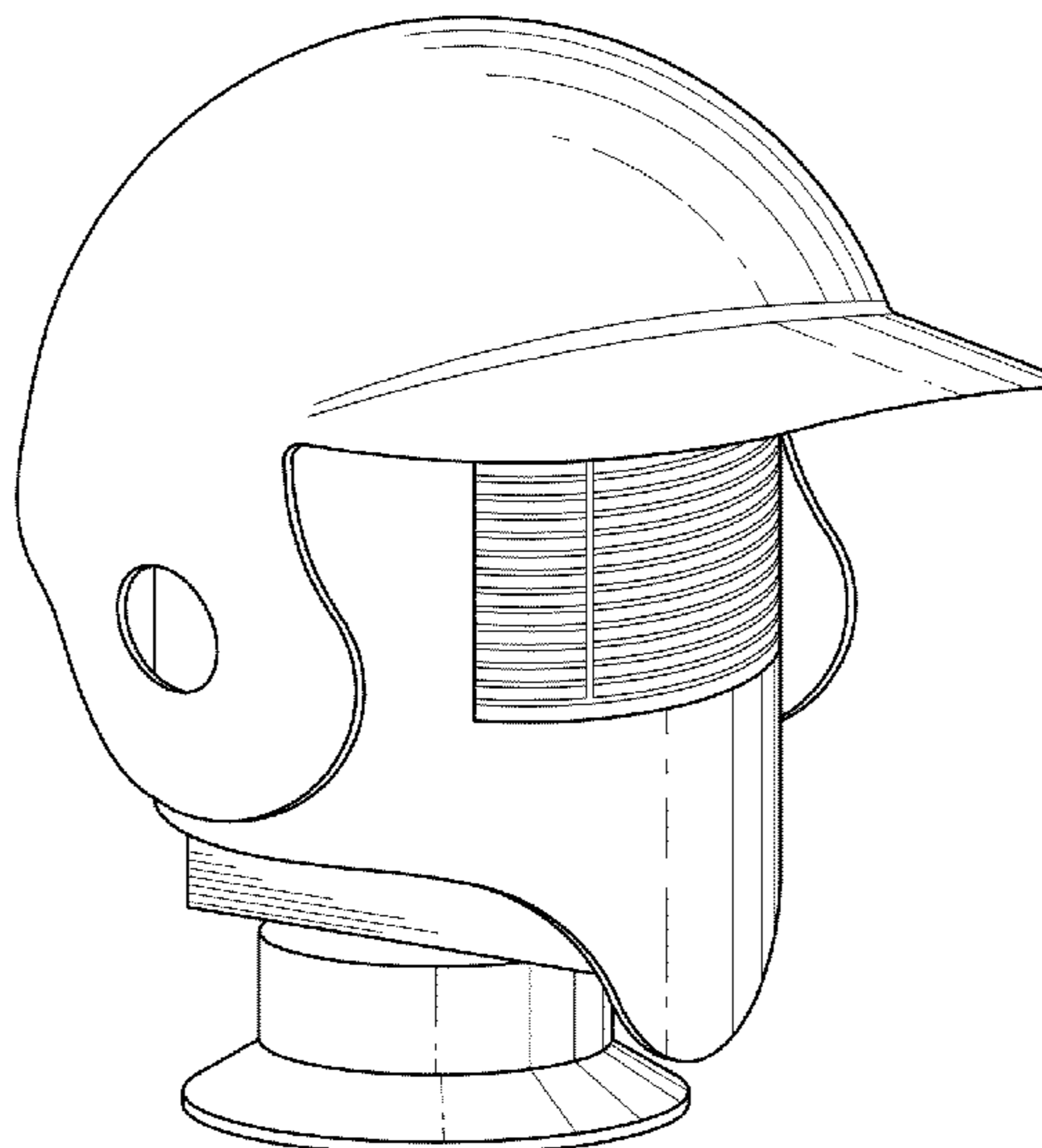
FIG. 2 is a side elevational view thereof;

FIG. 3 is a front elevational view thereof; and,

FIG. 4 is a rear elevational view thereof.

The broken line showing of the structural elements in FIGS. 2 and 4 has been provided for the purpose of illustrating portions of the claimed novelty fan that form no part of the claimed design.

**1 Claim, 2 Drawing Sheets**



(56)

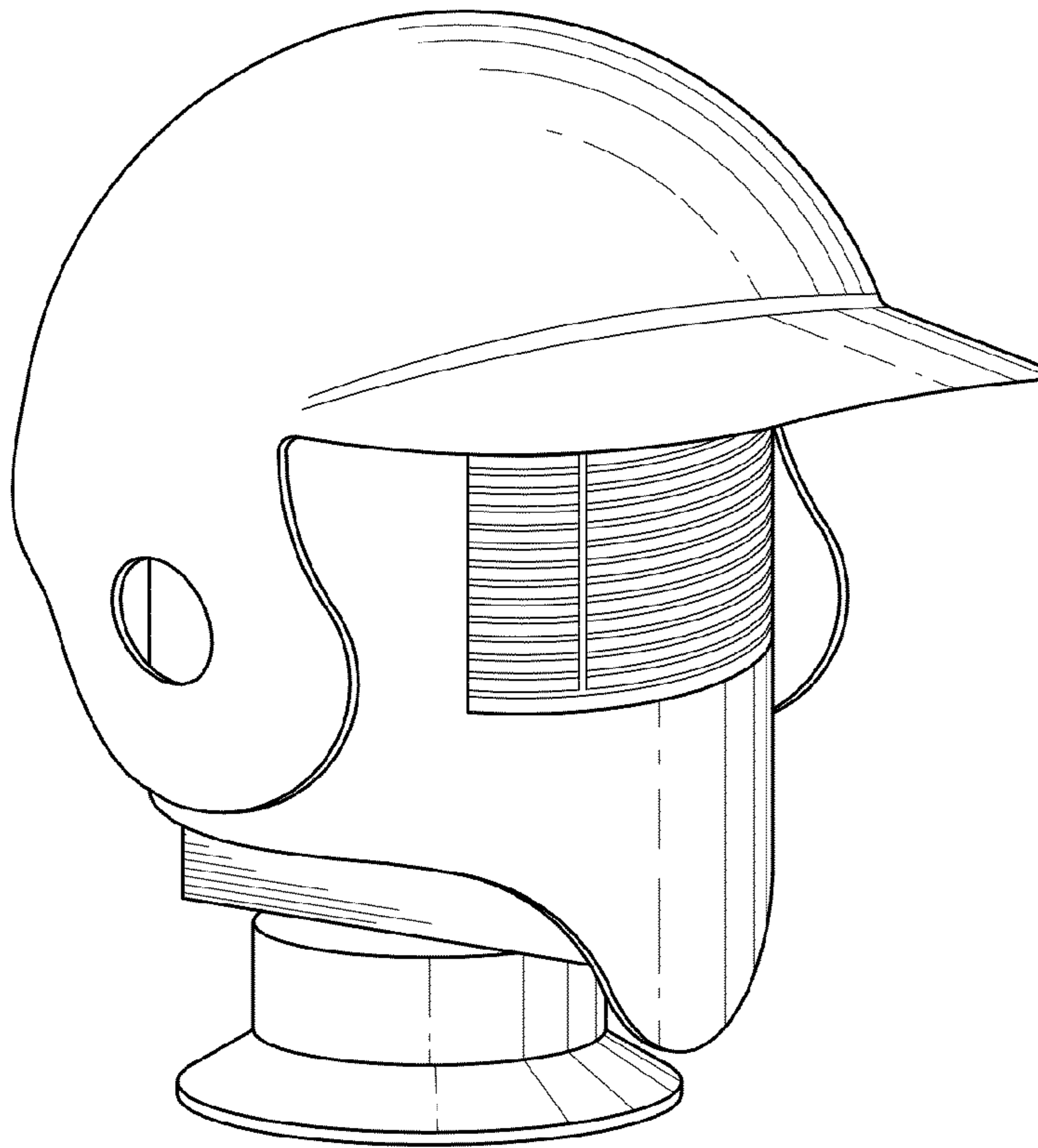
**References Cited**

U.S. PATENT DOCUMENTS

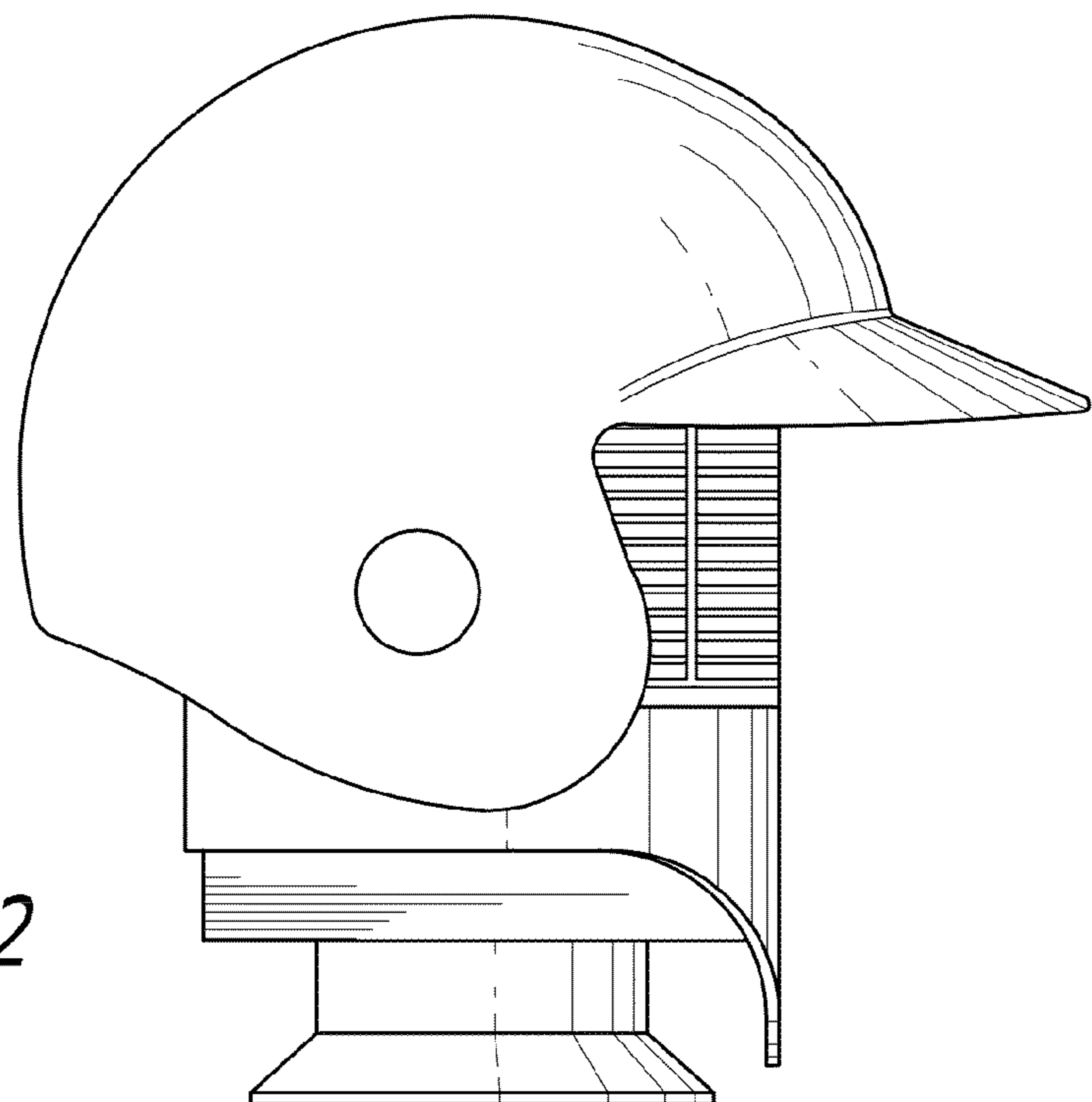
D488,883 S \* 4/2004 Davis ..... D26/94  
6,934,972 B2 \* 8/2005 Desjardins et al. .... 2/425  
D518,738 S \* 4/2006 Dreggors ..... D10/6

D554,027 S \* 10/2007 Quinn ..... D12/129  
D575,436 S \* 8/2008 Nunes ..... D26/73  
7,673,351 B2 \* 3/2010 Copeland et al. .... 2/425  
7,722,301 B2 \* 5/2010 Rosenblum ..... 410/10  
D628,748 S \* 12/2010 Stewart ..... D29/102

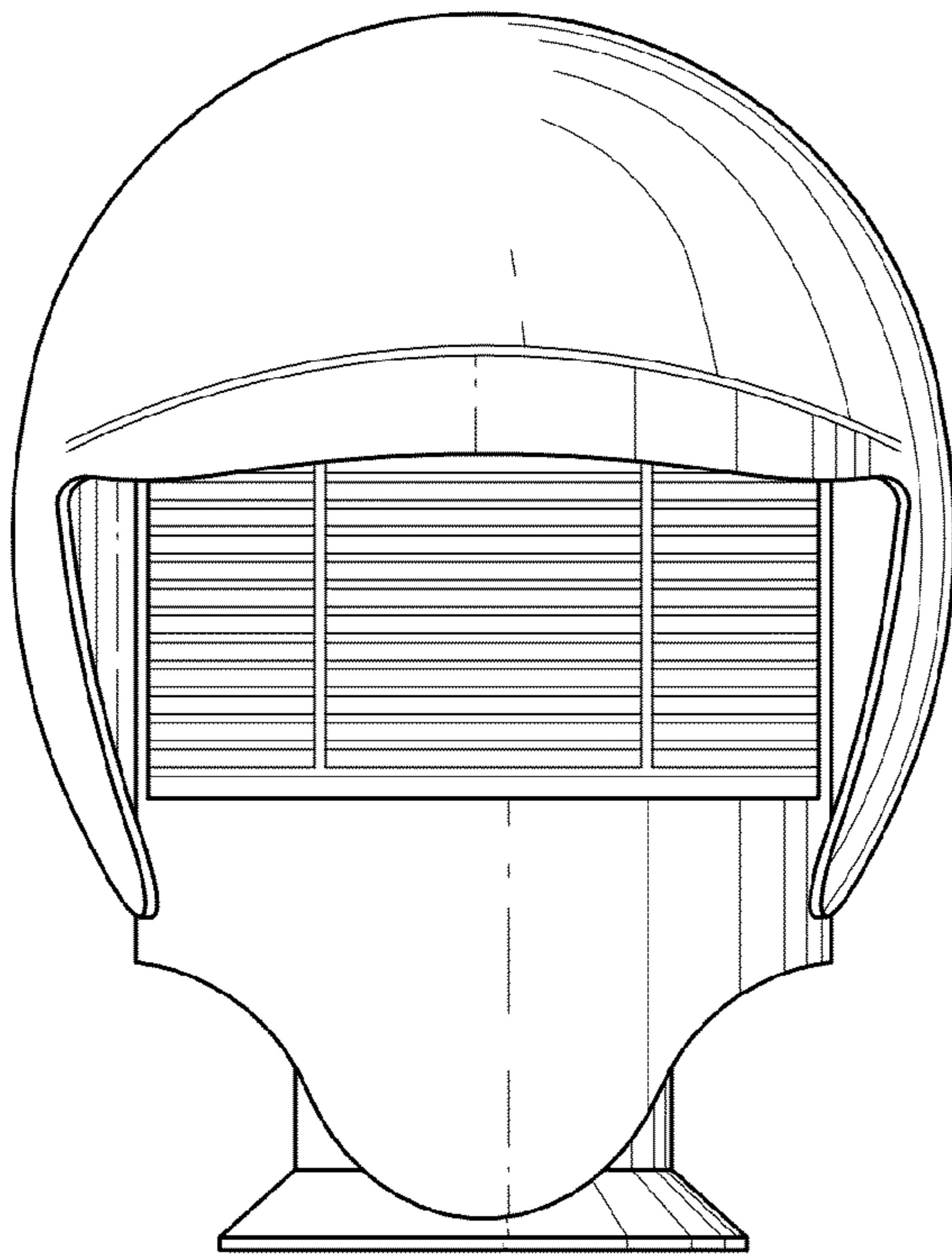
\* cited by examiner



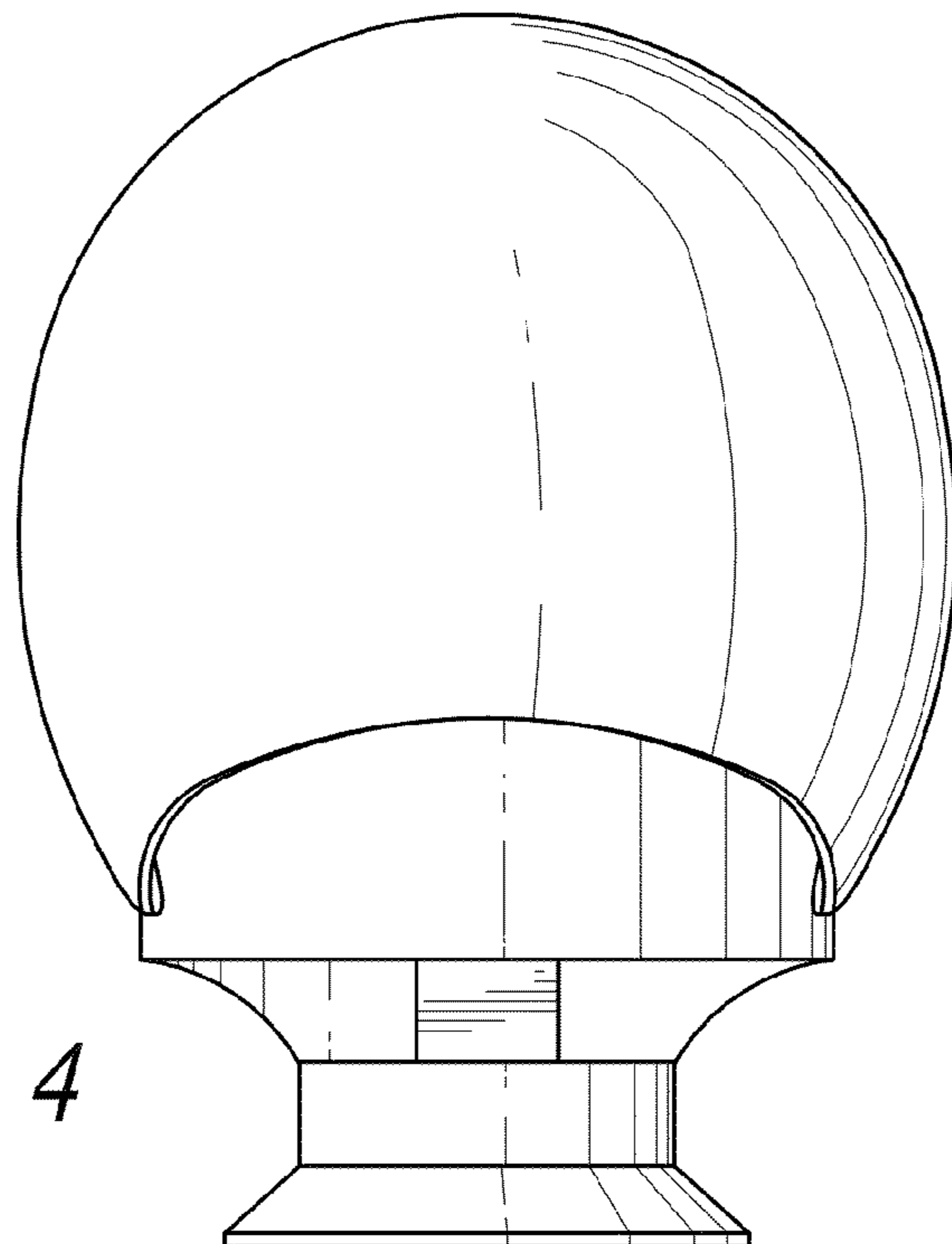
*FIG. 1*



*FIG. 2*



*FIG. 3*



*FIG. 4*