



US00D699827S

(12) **United States Design Patent**
Saitou

(10) **Patent No.:** **US D699,827 S**

(45) **Date of Patent:** **** Feb. 18, 2014**

(54) **AIR CONDITIONER**

(71) Applicant: **Yumi Saitou**, Kusatsu (JP)

(72) Inventor: **Yumi Saitou**, Kusatsu (JP)

(73) Assignee: **Daikin Industries Ltd.**, Osaka-shi,
Osaka-fu (JP)

(**) Term: **14 Years**

(21) Appl. No.: **29/442,935**

(22) Filed: **Jun. 14, 2013**

(51) **LOC (10) Cl.** **23-04**

(52) **U.S. Cl.**
USPC **D23/351**

(58) **Field of Classification Search**
USPC D23/351–354, 385, 355, 357, 361;
312/236; 62/259.1, 259.4, 262–263,
62/304; 454/330–331, 349–350
See application file for complete search history.

(56) **References Cited**

U.S. PATENT DOCUMENTS

D529,595 S	*	10/2006	Ueno et al.	D23/351
D599,454 S	*	9/2009	Alexanderson	D23/351
D667,535 S	*	9/2012	Baek et al.	D23/351

* cited by examiner

Primary Examiner — Brian N Vinson

(74) *Attorney, Agent, or Firm* — Manabu Kanesaka

(57) **CLAIM**

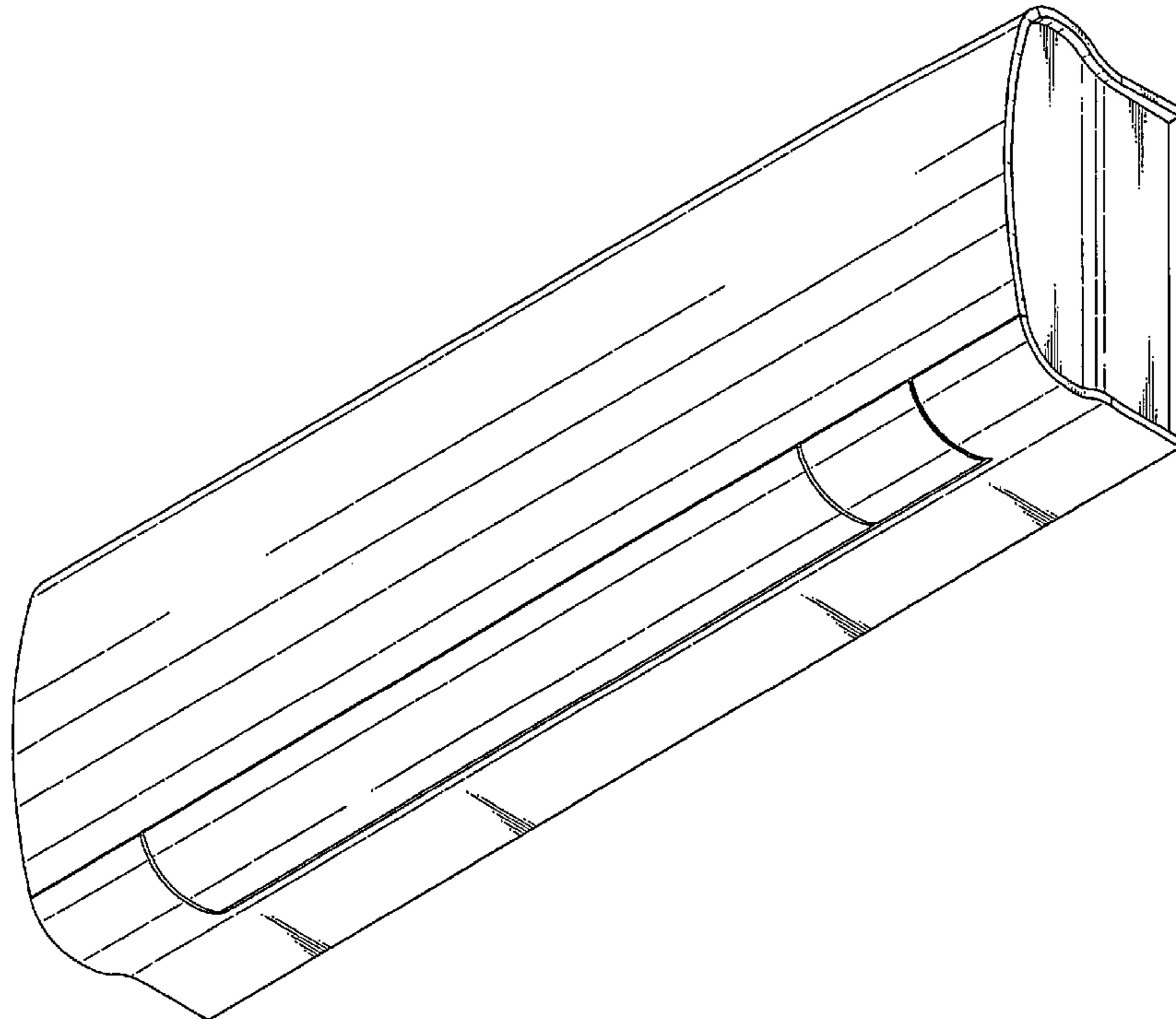
The ornamental design for an air conditioner, as shown and described.

DESCRIPTION

FIG. 1 is a perspective view of an air conditioner showing my new design;
FIG. 2 is a front view thereof;
FIG. 3 is a rear view thereof;
FIG. 4 is a plan view thereof;
FIG. 5 is a bottom view thereof;
FIG. 6 is a left side view thereof;
FIG. 7 is a right side view thereof;
FIG. 8 is a perspective view thereof in the used state; and,
FIG. 9 is a cross-sectional view thereof taken along the line 9-9 in FIG. 2.

The broken lines depict portions of the air-conditioner that form no part of claimed design.

1 Claim, 7 Drawing Sheets



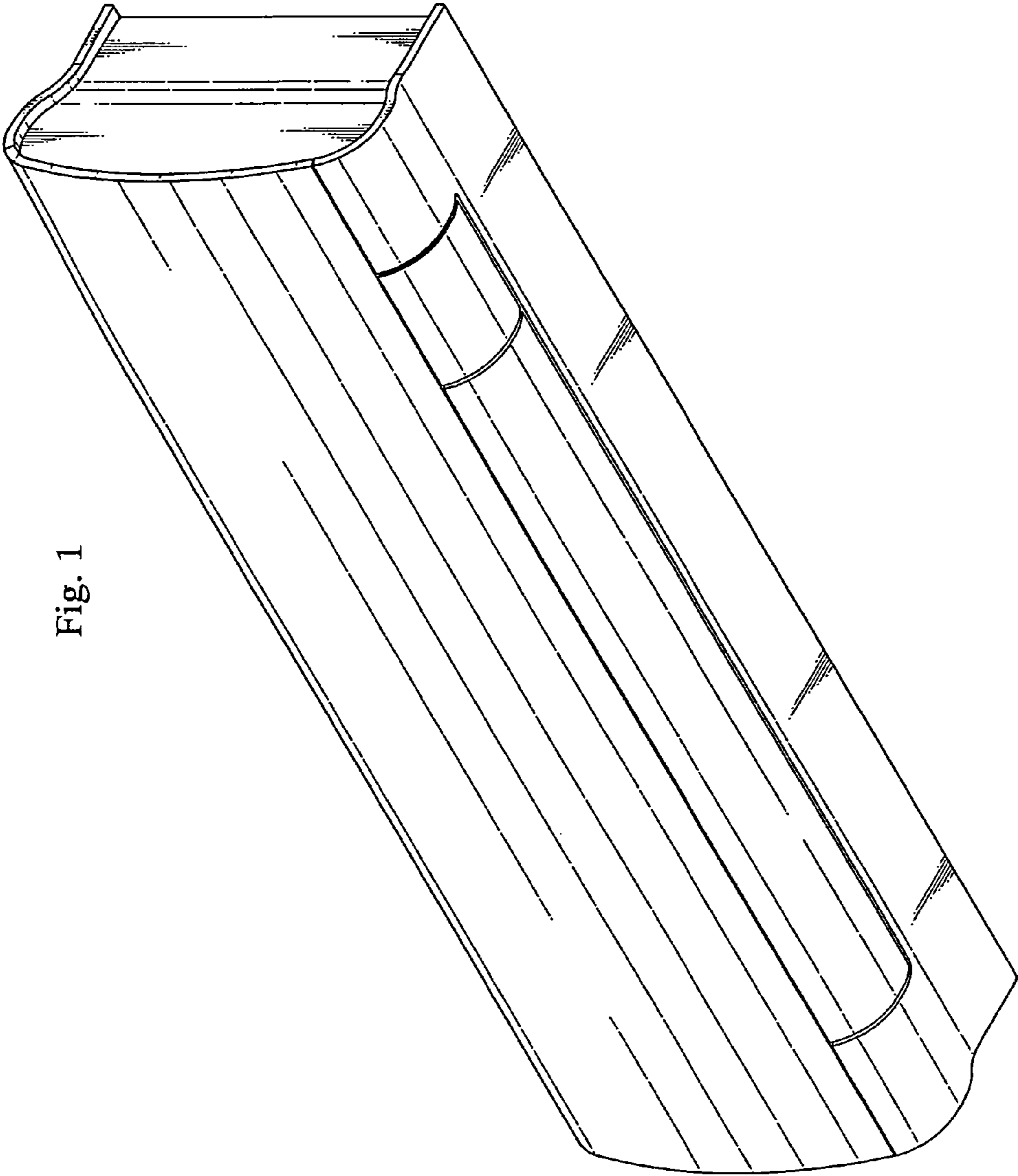


Fig. 1

Fig. 2

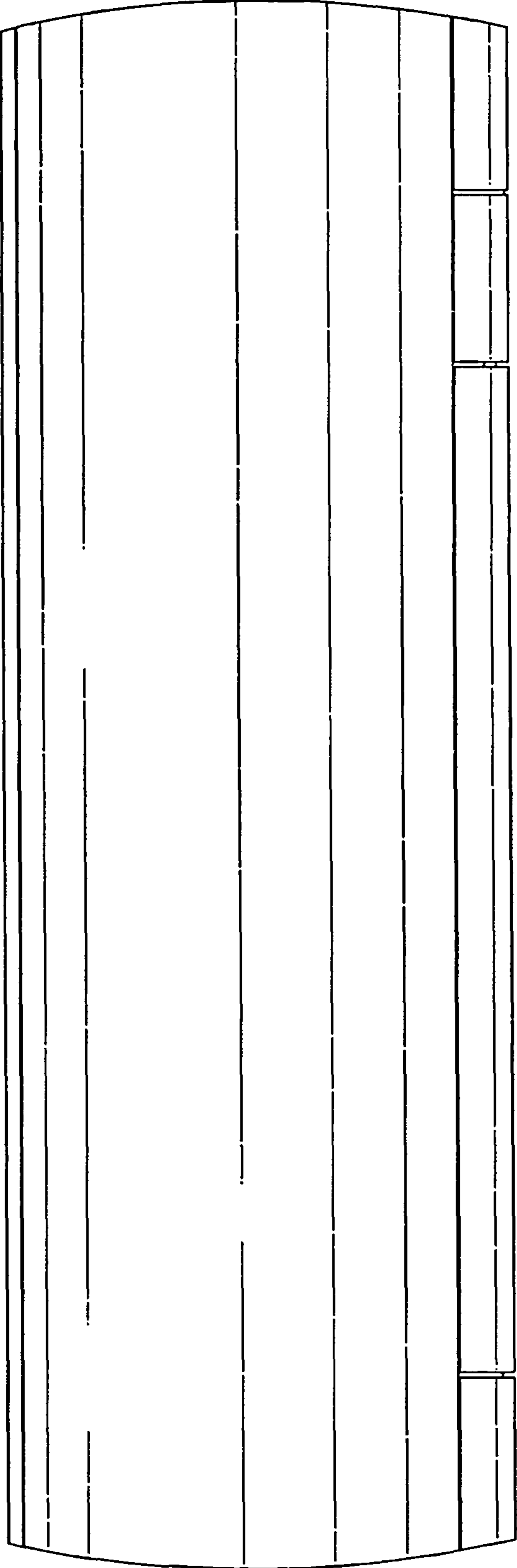


Fig. 3

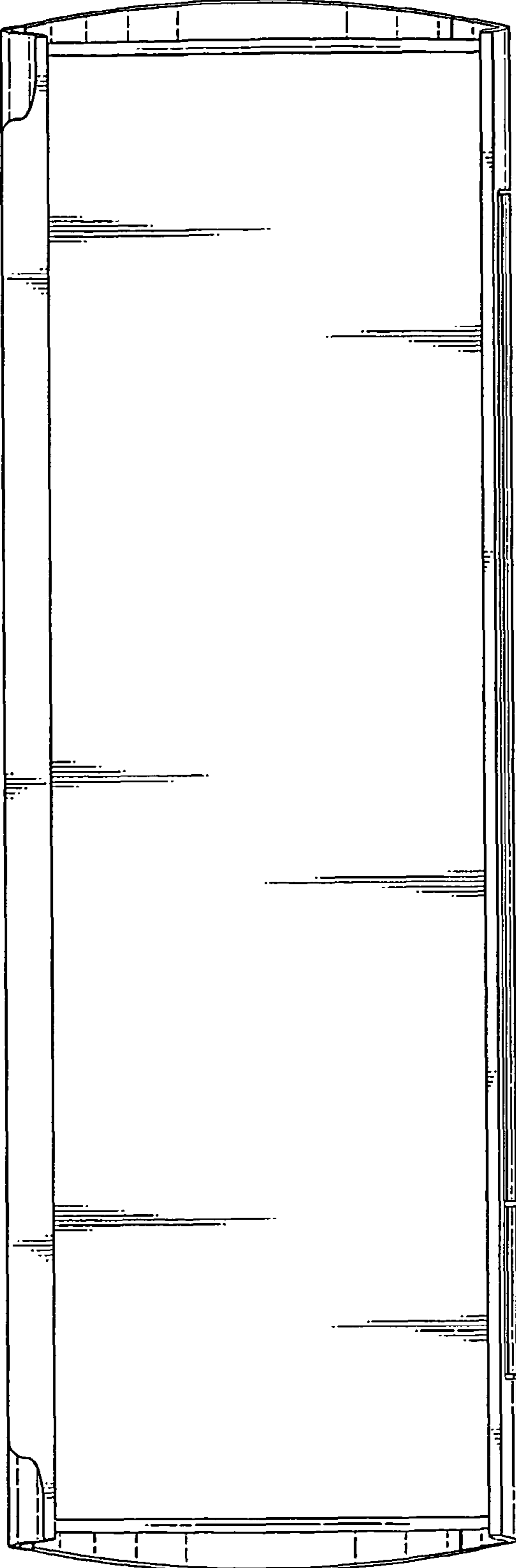


Fig. 4

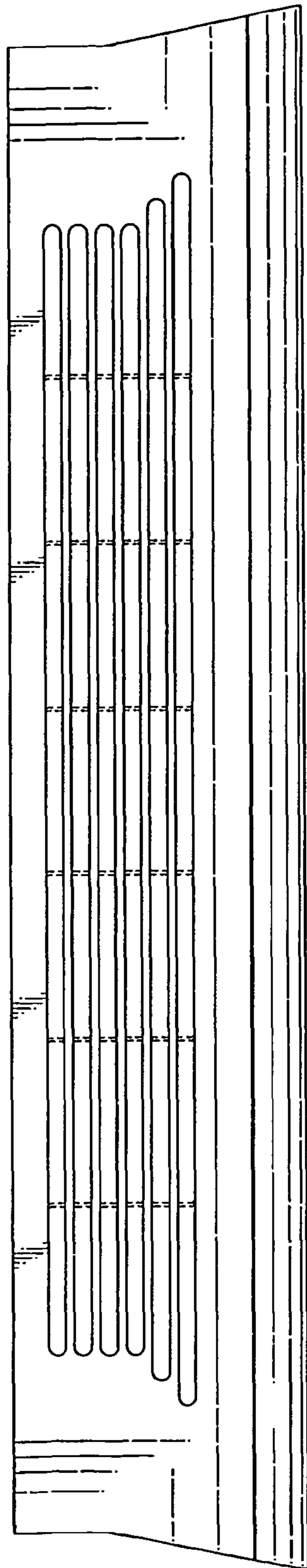


Fig. 5

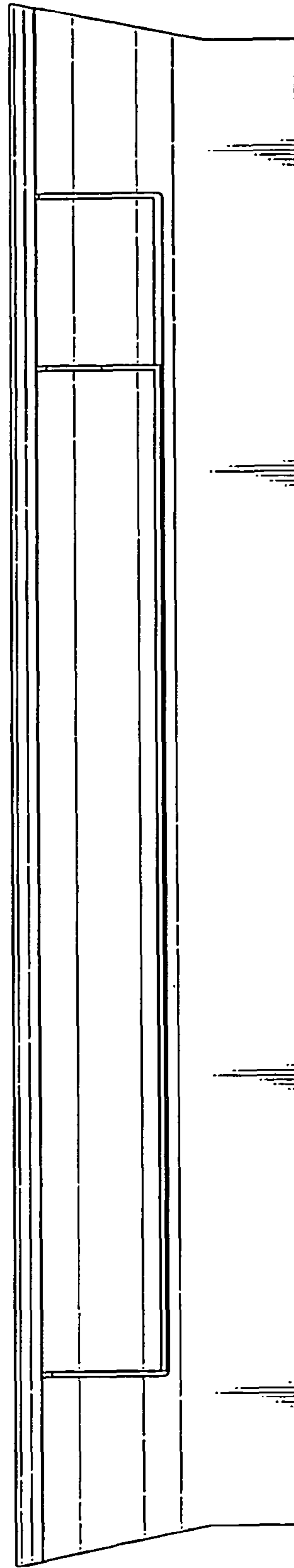


Fig. 7

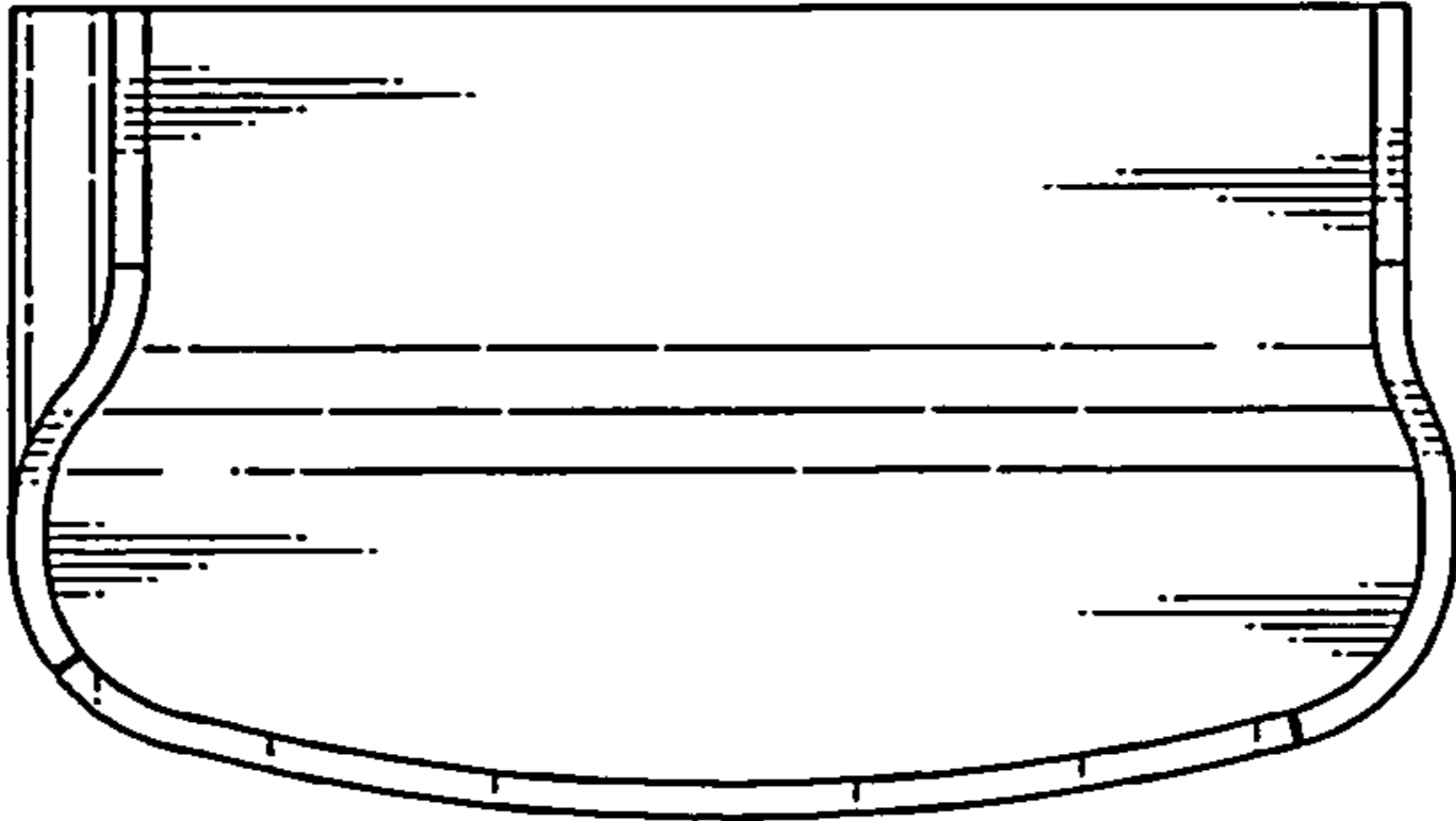
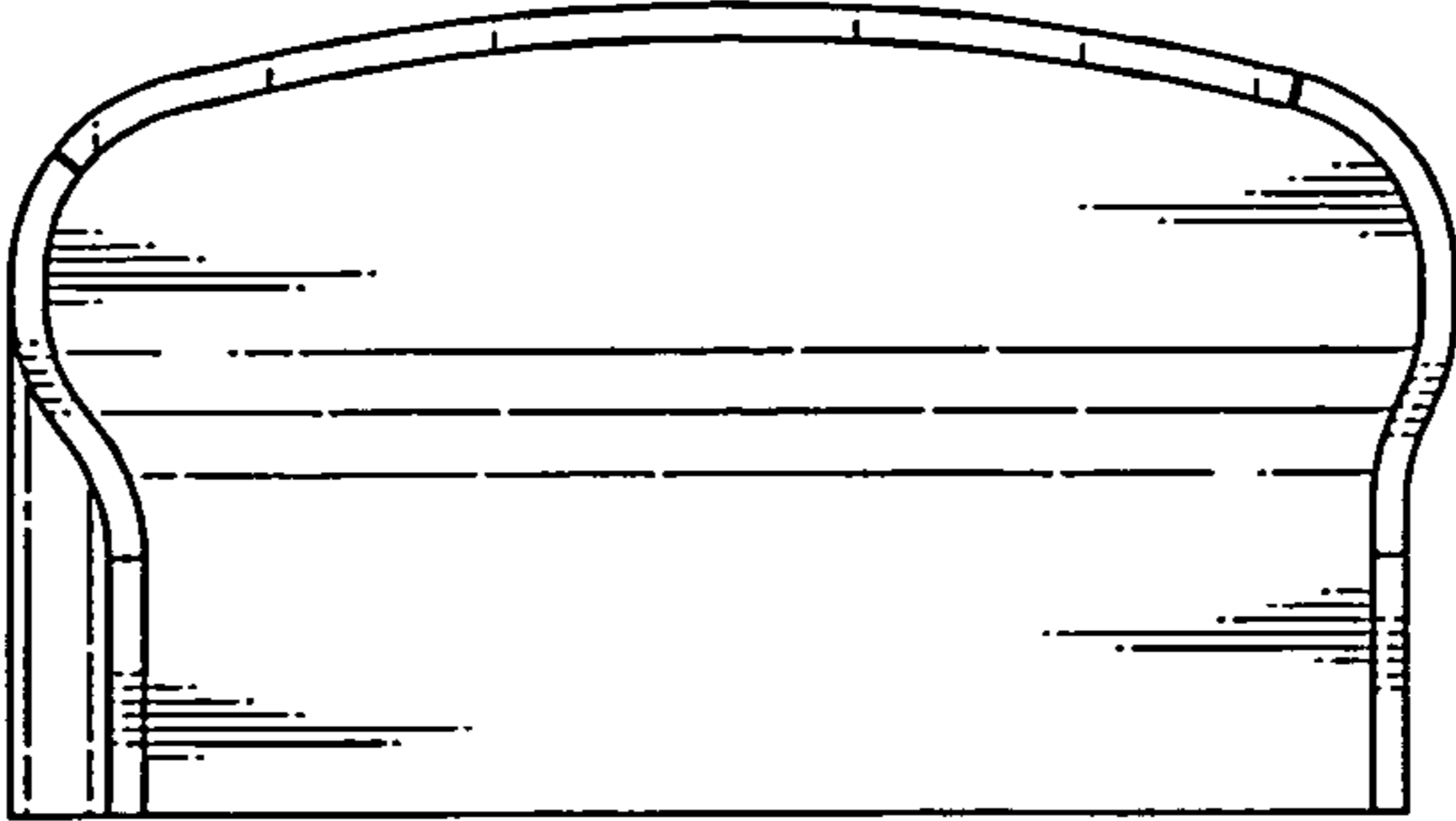


Fig. 6



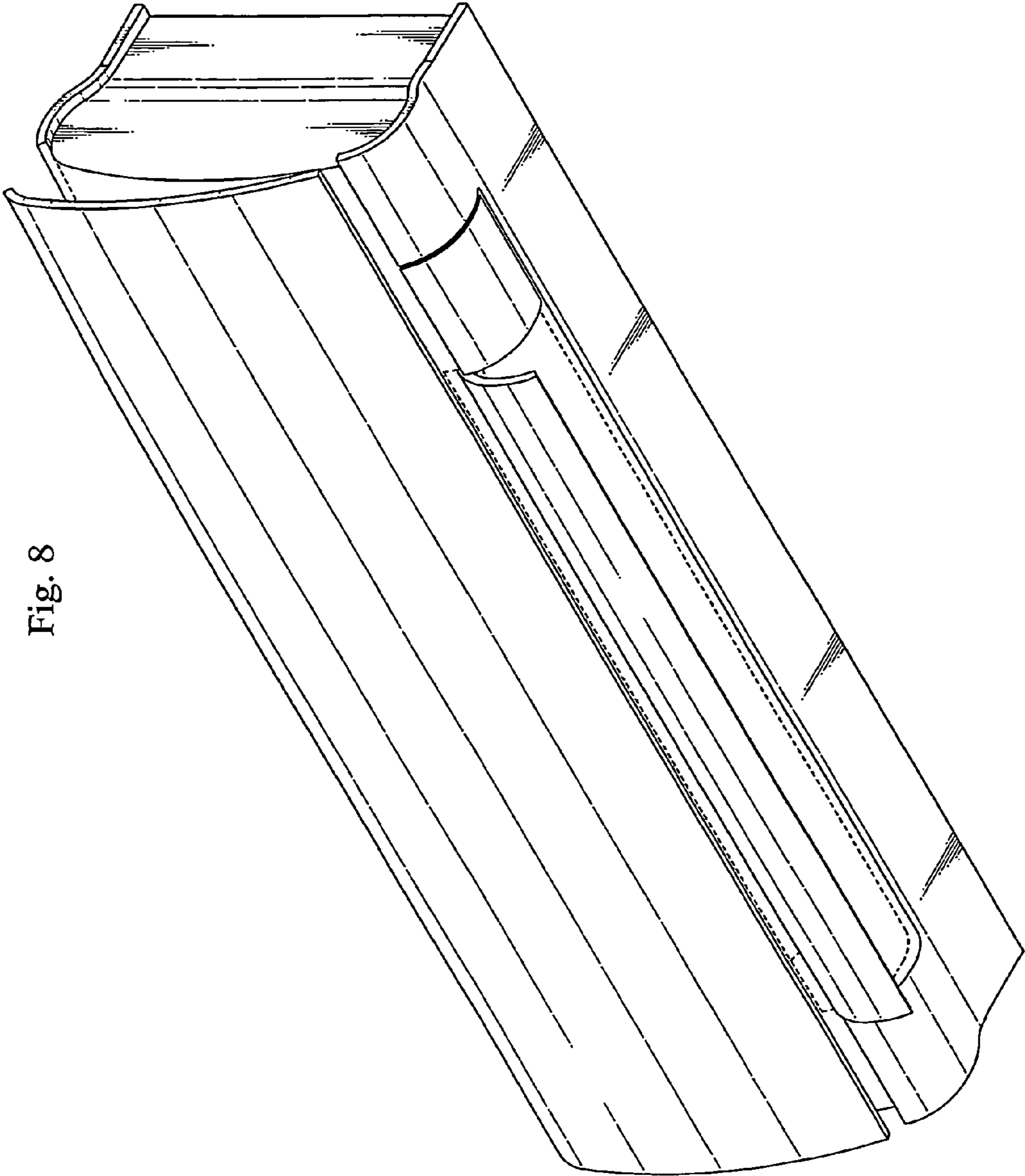


Fig. 8

Fig. 9

