



US00D699825S

(12) **United States Design Patent**  
**Ikeda**

(10) **Patent No.:** **US D699,825 S**

(45) **Date of Patent:** **\*\* Feb. 18, 2014**

(54) **AIR CONDITIONER**

(71) Applicant: **Junichi Ikeda**, Kusatsu (JP)

(72) Inventor: **Junichi Ikeda**, Kusatsu (JP)

(73) Assignee: **Daikin Industries Ltd.**, Osaka-shi,  
Osaka-fu (JP)

(\*\*) Term: **14 Years**

(21) Appl. No.: **29/442,931**

(22) Filed: **Jun. 14, 2013**

(51) **LOC (10) Cl.** ..... **23-03**

(52) **U.S. Cl.**  
USPC ..... **D23/351**

(58) **Field of Classification Search**  
USPC ..... D23/351-354, 385, 355, 357, 361;  
312/236; 62/259.1, 259.4, 262-263,  
62/304; 454/330-331, 349-350  
See application file for complete search history.

(56) **References Cited**

**U.S. PATENT DOCUMENTS**

D487,142 S \* 2/2004 Yoo ..... D23/351  
D584,389 S \* 1/2009 Oh et al. .... D23/351  
D642,250 S \* 7/2011 Chouji ..... D23/351

D657,035 S \* 4/2012 Chouji ..... D23/351  
D674,068 S \* 1/2013 Baek et al. .... D23/351  
D676,119 S \* 2/2013 Baek et al. .... D23/351  
D683,004 S \* 5/2013 Chouji ..... D23/351  
D683,833 S \* 6/2013 Chouji et al. .... D23/351  
D688,780 S \* 8/2013 Nakai et al. .... D23/351

\* cited by examiner

*Primary Examiner* — Brian N Vinson

(74) *Attorney, Agent, or Firm* — Manabu Kanesaka

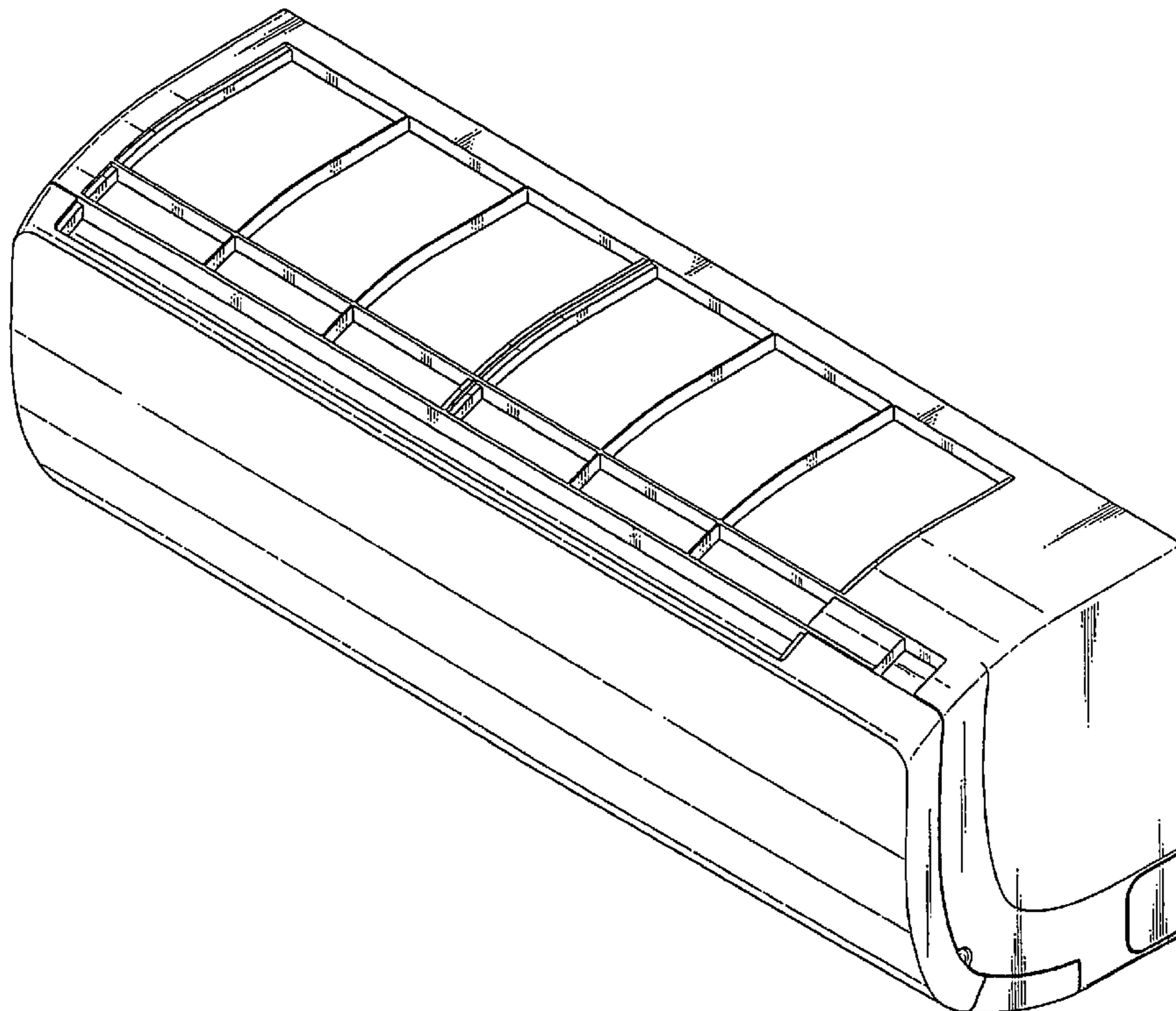
(57) **CLAIM**

The ornamental design for an air conditioner, as shown and described.

**DESCRIPTION**

FIG. 1 is a perspective view of an air conditioner showing my new design;  
FIG. 2 is another perspective view thereof;  
FIG. 3 is a front view thereof;  
FIG. 4 is a rear view thereof;  
FIG. 5 is a plan view thereof;  
FIG. 6 is a bottom view thereof;  
FIG. 7 is a left side view thereof; and,  
FIG. 8 is a right side view thereof.

**1 Claim, 7 Drawing Sheets**



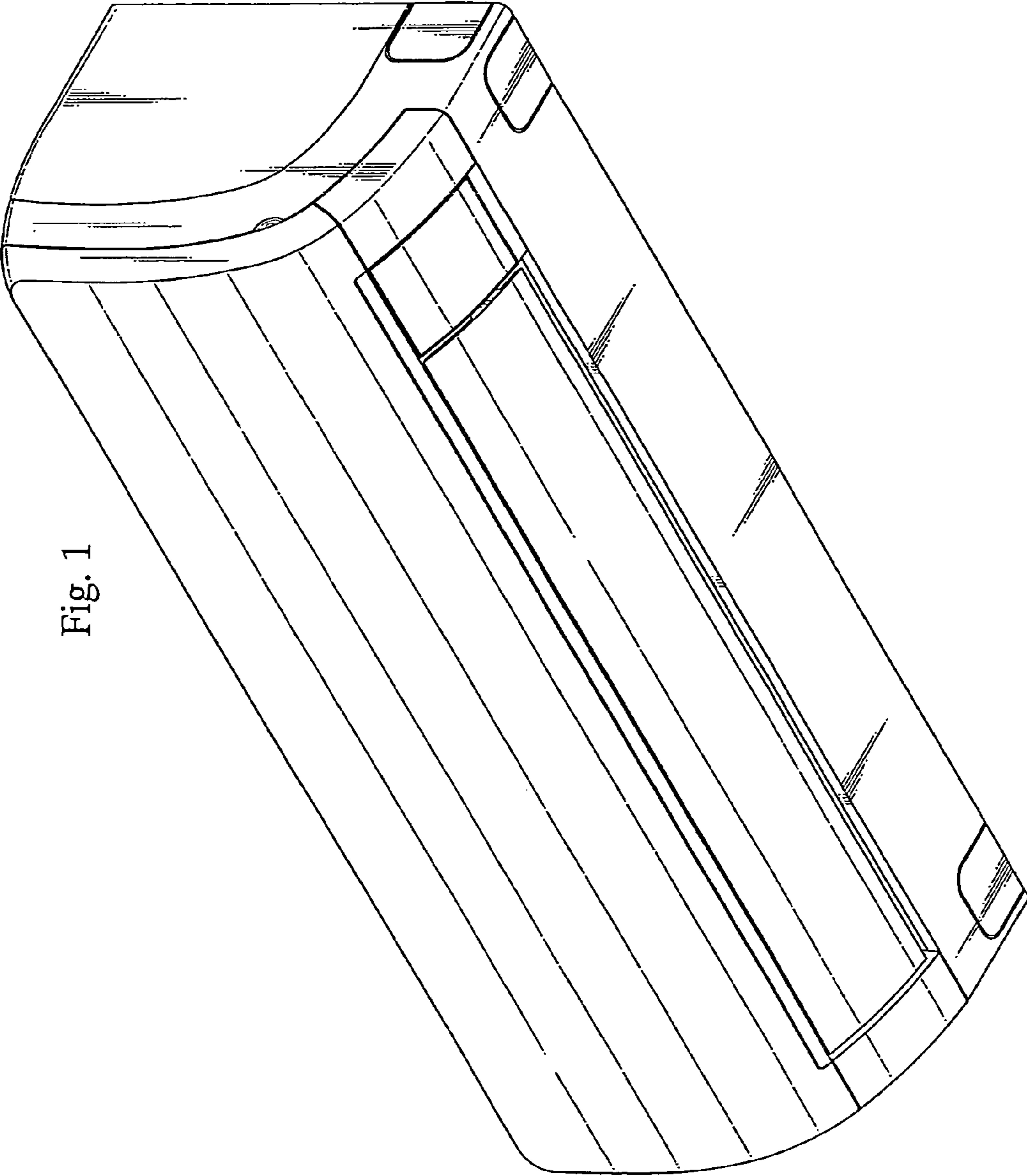


Fig. 1

Fig. 2

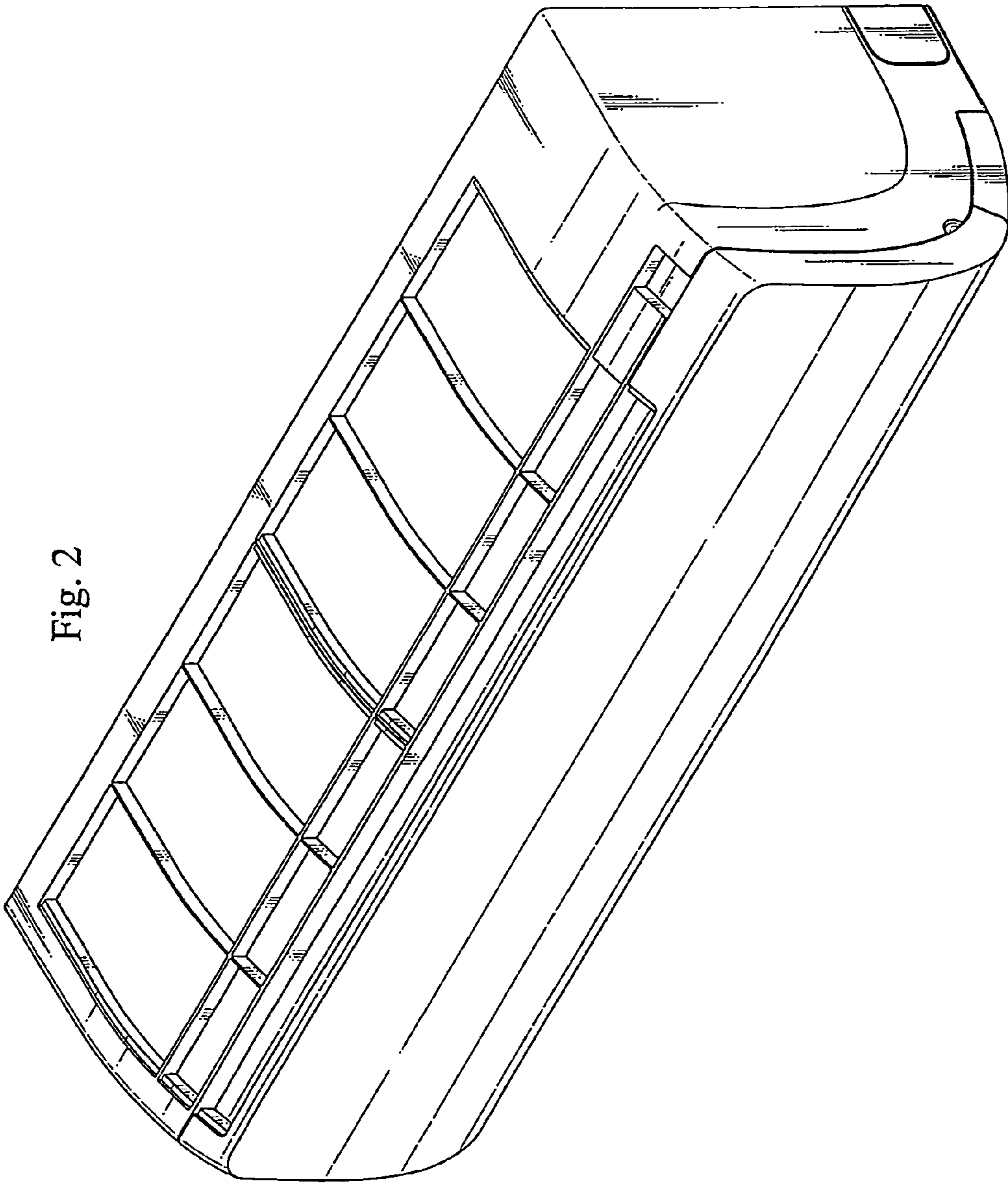


Fig. 3

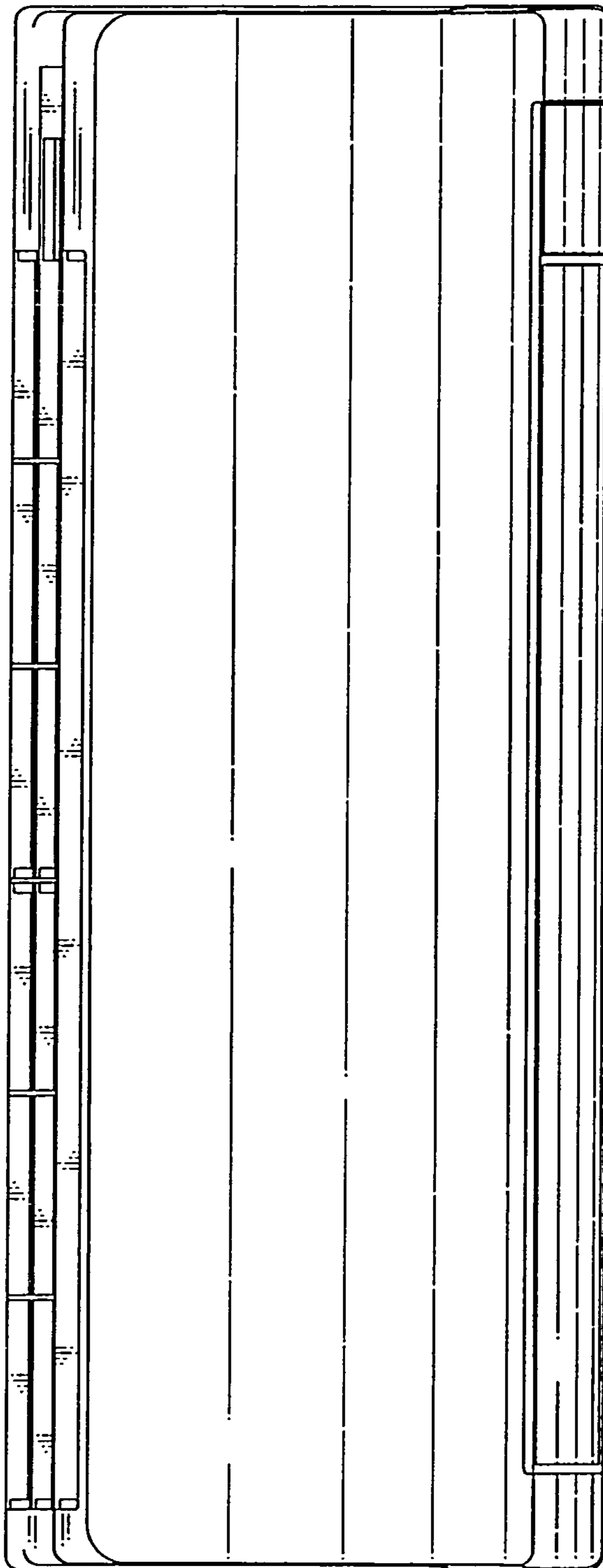


Fig. 4

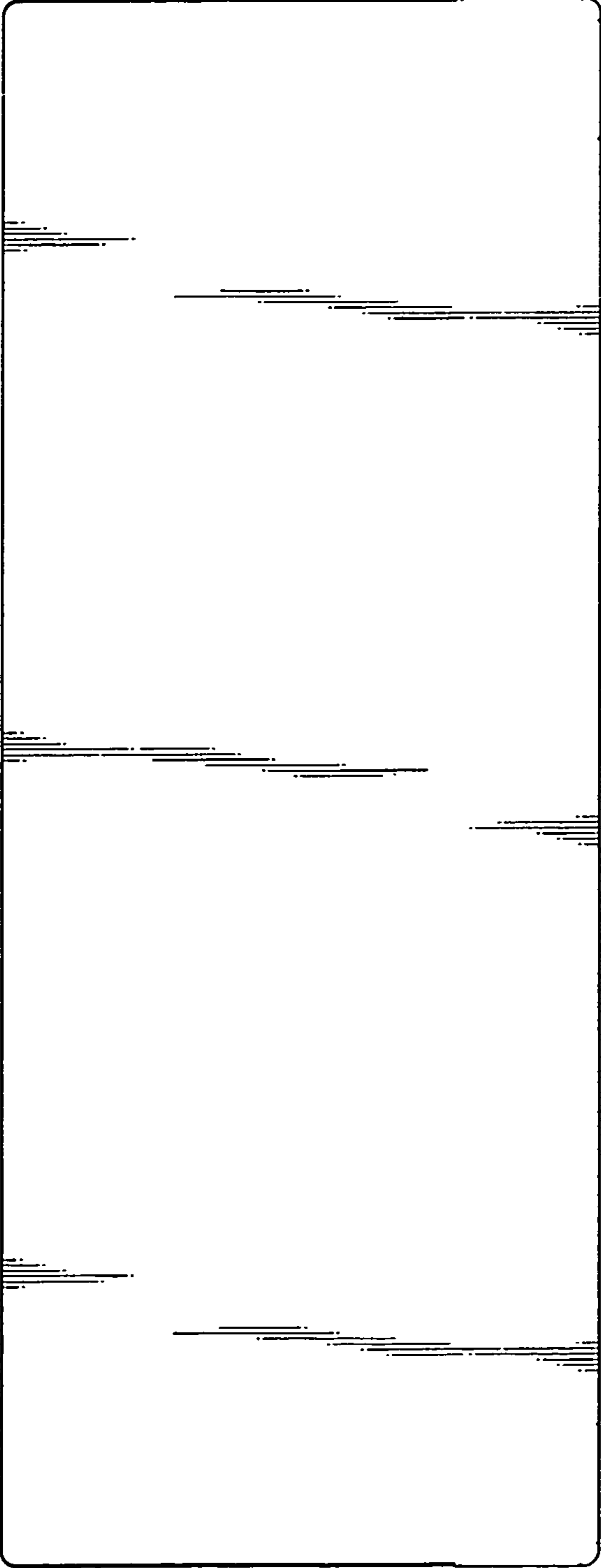


Fig. 5

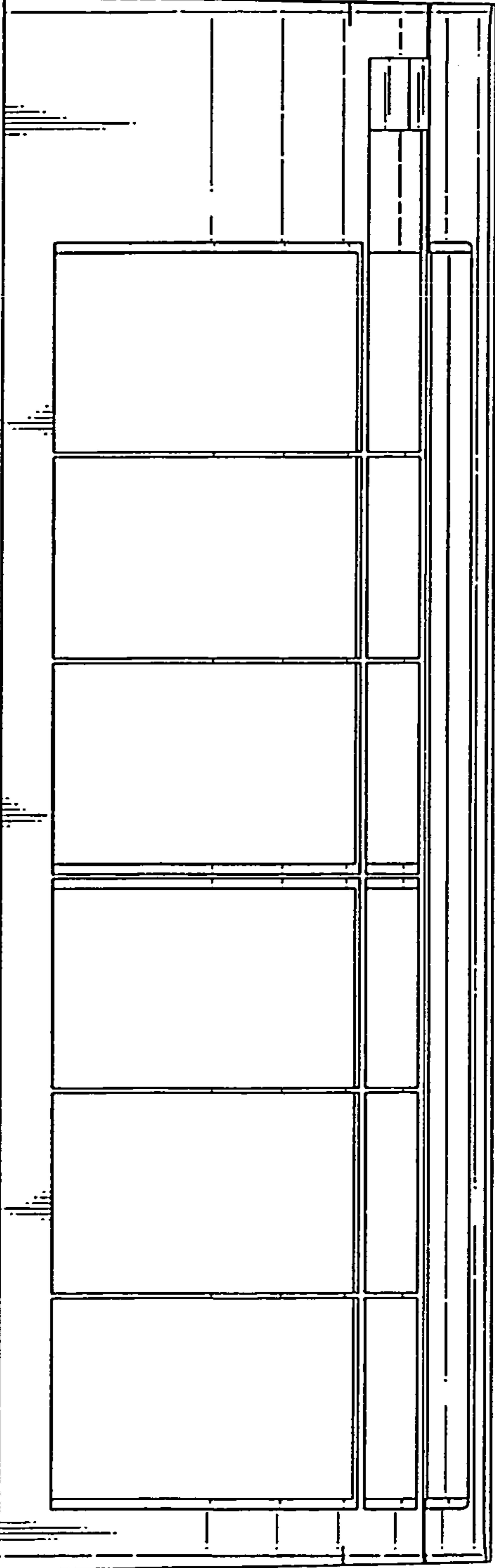


Fig. 6

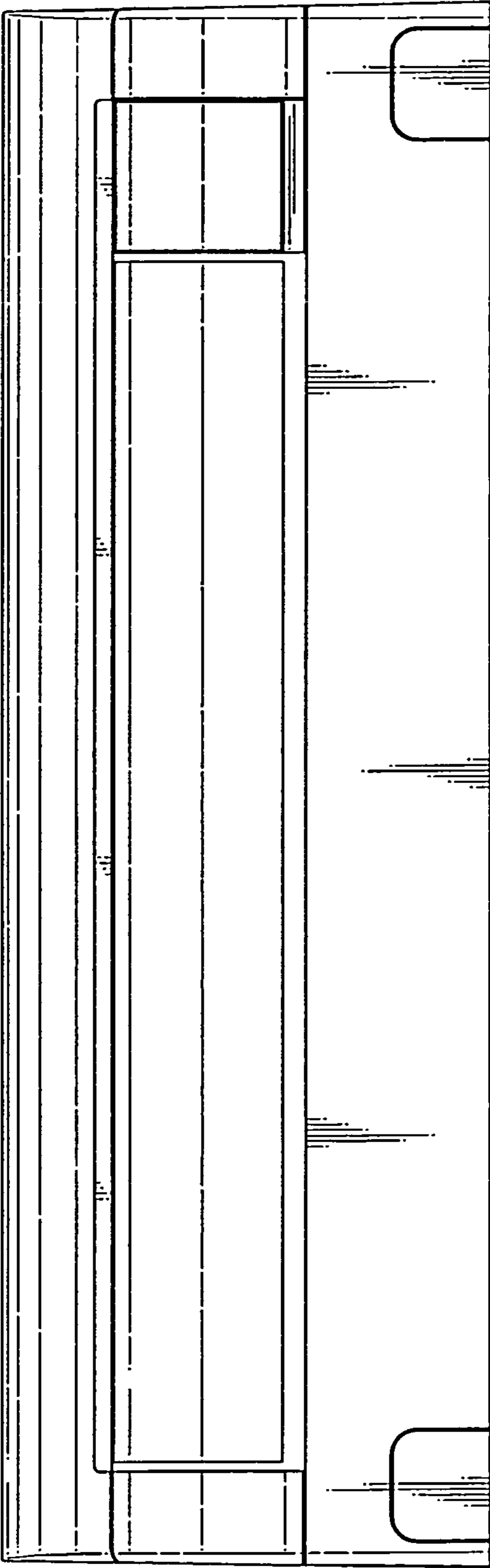


Fig. 8

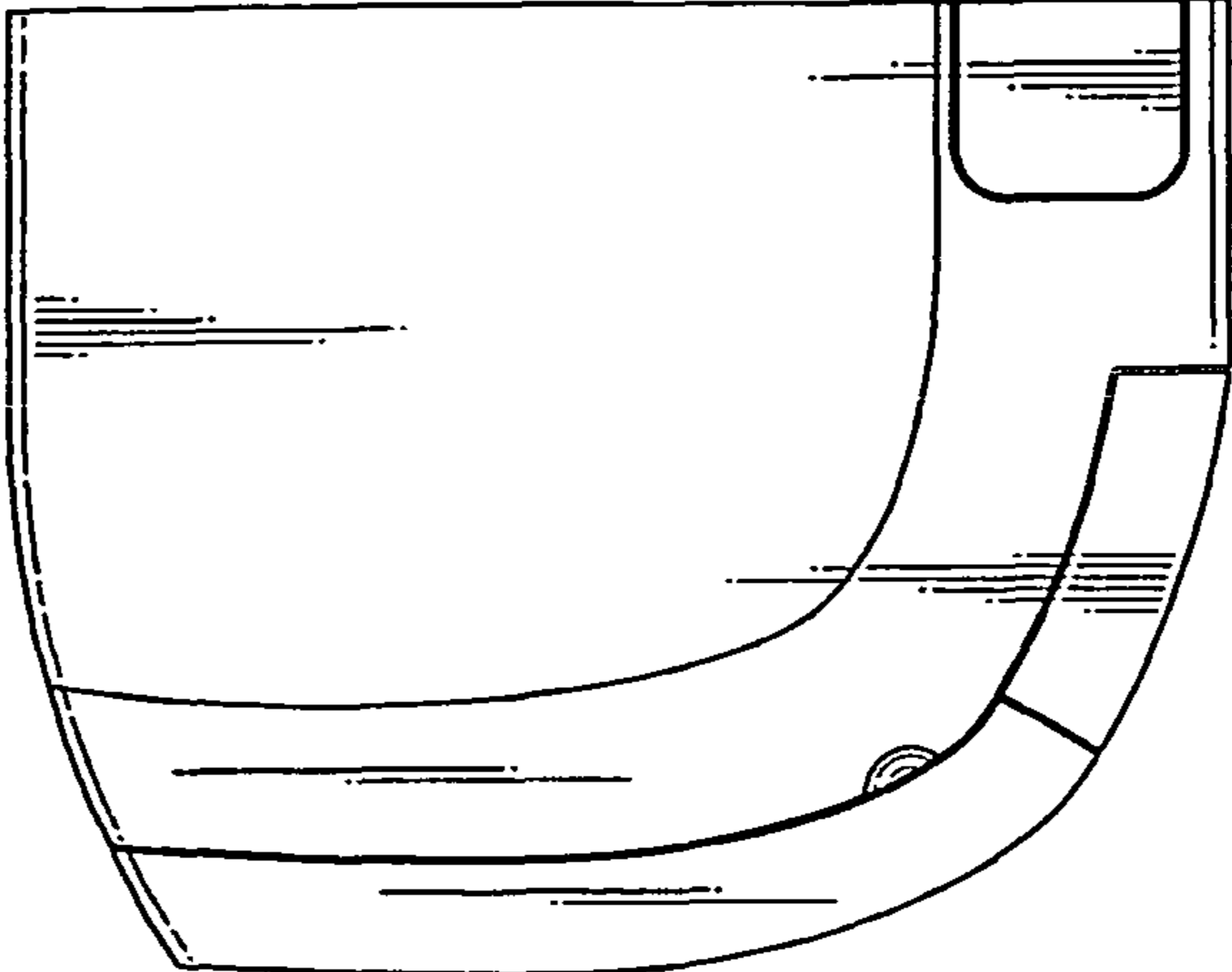


Fig. 7

