

US00D699822S

(12) **United States Design Patent**
Beaudoin

(10) **Patent No.:** **US D699,822 S**
(45) **Date of Patent:** **** Feb. 18, 2014**

- (54) **FRAME**
- (71) Applicant: **Canada Pipe Company ULC**, Hamilton (CA)
- (72) Inventor: **Pierre-Laurent Beaudoin**, Lévis (CA)
- (73) Assignee: **Canada Pipe Company ULC**, Hamilton, ON (CA)
- (**) Term: **14 Years**
- (21) Appl. No.: **29/439,512**
- (22) Filed: **Dec. 12, 2012**
- (51) **LOC (10) Cl.** **23-01**
- (52) **U.S. Cl.**
USPC **D23/267**; D23/262; D23/259
- (58) **Field of Classification Search**
USPC D23/267-268; 210/170, 170.01, 210/170.03, 162-166, 474; 404/4-5
See application file for complete search history.

7,309,420	B1 *	12/2007	Trangsrud	210/163
D559,958	S *	1/2008	Trangsrud	D23/268
D559,959	S *	1/2008	Trangsrud	D23/268
D567,341	S *	4/2008	Vargas	D23/267
D572,802	S *	7/2008	Trangsrud	D23/268
D574,933	S *	8/2008	Trangsrud	D23/268

(Continued)

FOREIGN PATENT DOCUMENTS

CA	1186871	5/1985
CA	1204317	5/1985

(Continued)

Primary Examiner — Eric Goodman
(74) *Attorney, Agent, or Firm* — Fasken Martineau

(57) **CLAIM**
The ornamental design for a frame, as shown and described.

DESCRIPTION

FIG. 1 is a perspective view taken from a top, front, left side of a frame, according to my new design;
 FIG. 2 is a top plan view thereof;
 FIG. 3 is a bottom plan view thereof;
 FIG. 4 is a rear elevation view thereof;
 FIG. 5 is a front elevation view thereof;
 FIG. 6 is a right side elevation view thereof; and,
 FIG. 7 is a left side elevation view thereof.

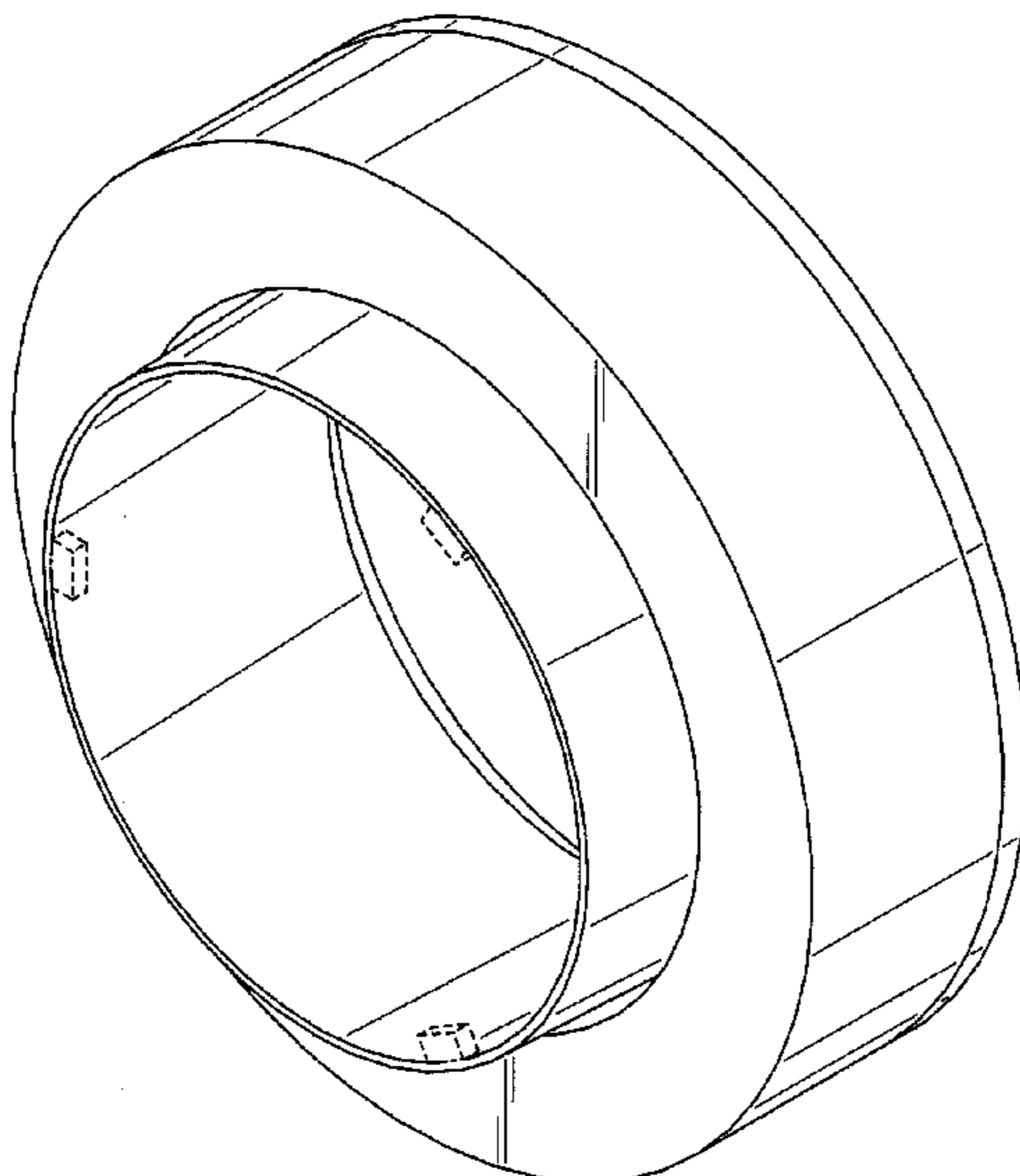
The design consists of the visual features of the portions of the frame shown in solid lines in the drawings. Throughout the Figures, where shown: (i) the dotted lines showing additional structure of the frame are for illustrative purposes only and form no part of the claimed design; (ii) the unshaded surfaces do not form part of the claimed design; and (iii) the dash-dotted lines illustrate unclaimed boundaries of surfaces claimed as part of the design. Portions of the frame not shown in the Figures and not otherwise described in this Specification do not form part of the claimed design.

1 Claim, 6 Drawing Sheets

(56) **References Cited**

U.S. PATENT DOCUMENTS

3,838,706	A	10/1974	Klenk et al.	
4,422,994	A	12/1983	Ditcher	
4,536,103	A	8/1985	Prescott	
4,565,347	A	1/1986	Ditcher	
4,591,290	A	5/1986	Prescott	
4,685,650	A	8/1987	Ditcher	
4,801,417	A	1/1989	Ditcher	
4,941,643	A	7/1990	Ditcher	
5,072,846	A	12/1991	Portwood	
5,386,669	A	2/1995	Almeida	
5,634,739	A	6/1997	Armstrong	
5,769,566	A *	6/1998	Shea 405/52
5,849,181	A	12/1998	Monteith	
6,068,765	A	5/2000	Monteith	
6,109,824	A	8/2000	Annes	
6,986,226	B2	1/2006	Banks	
7,132,045	B1 *	11/2006	Trangsrud 210/163



(56)

References Cited

U.S. PATENT DOCUMENTS

7,980,273 B2 * 7/2011 Robinson 138/44
 2003/0034286 A1 * 2/2003 Butler 210/163
 2003/0046877 A1 3/2003 Banks
 2006/0230688 A1 * 10/2006 Carr 52/16
 2007/0262009 A1 * 11/2007 Fitzgerald 210/170.03
 2010/0124458 A1 5/2010 Munro

FOREIGN PATENT DOCUMENTS

CA 1189294 6/1985
 CA 1208025 7/1986
 CA 1245832 12/1988

CA	1320071	7/1993
CA	2153008	1/1996
CA	2220243	9/1997
CA	2206338	11/1998
DE	1002249	2/1957
DE	6906871	6/1969
DE	1905728	8/1970
DE	4437518	4/1996
DE	29707603	7/1997
FR	2200415	4/1974
FR	2803859	7/2001
WO	96/01929	1/1996
WO	97/26415	7/1997
WO	9749872	12/1997
WO	01/83892	11/2001

* cited by examiner

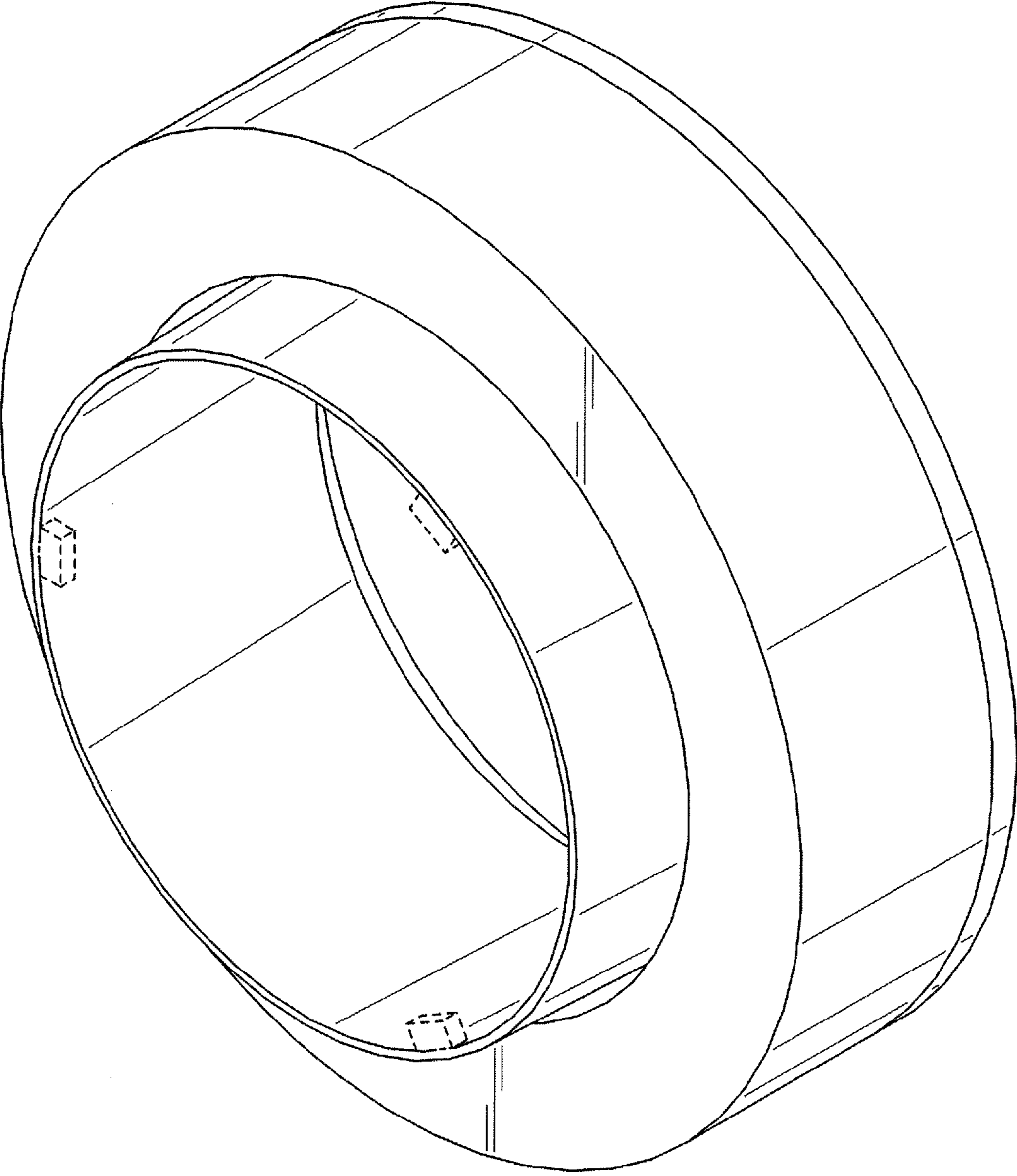


FIG. 1

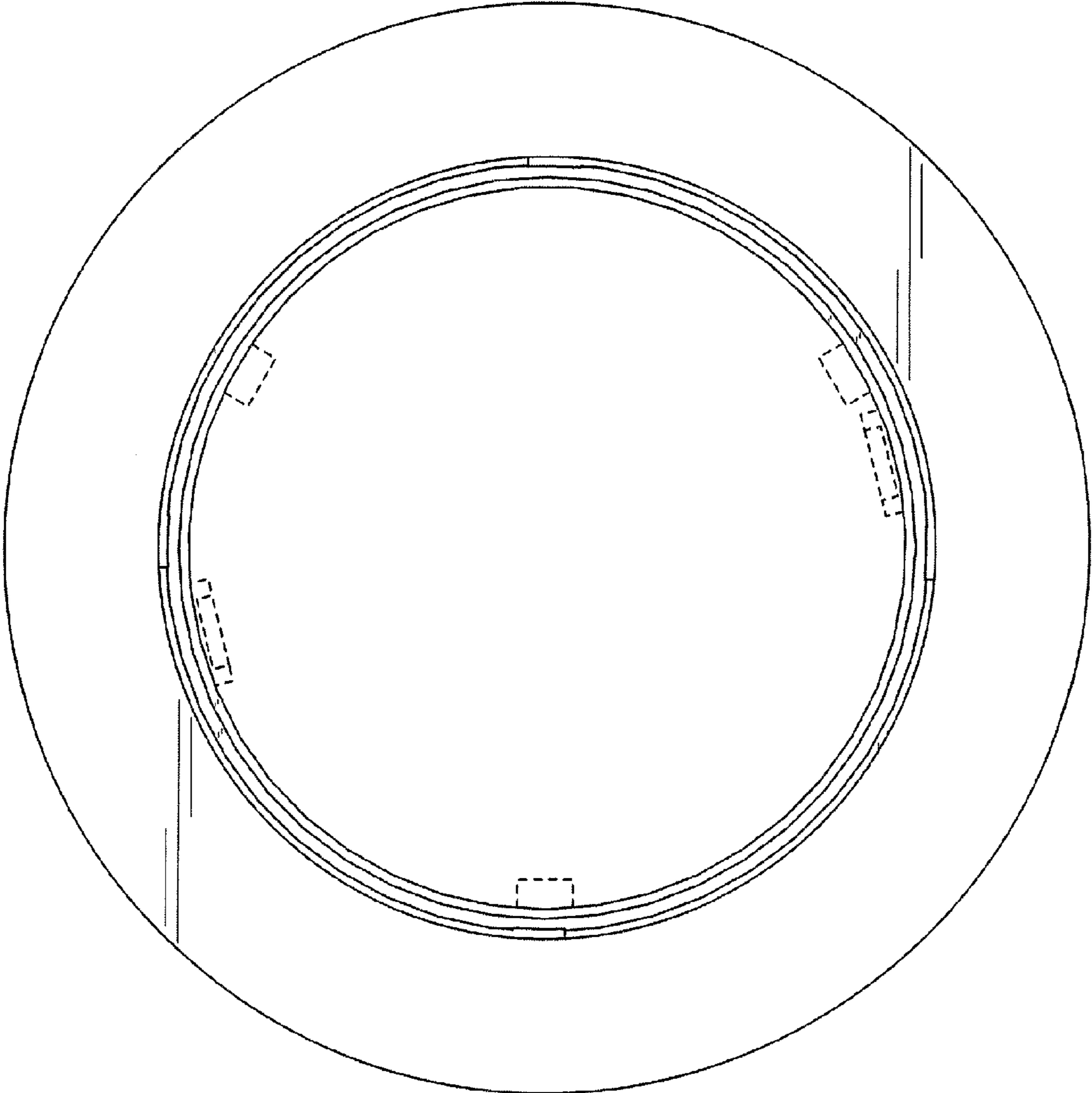


FIG. 2

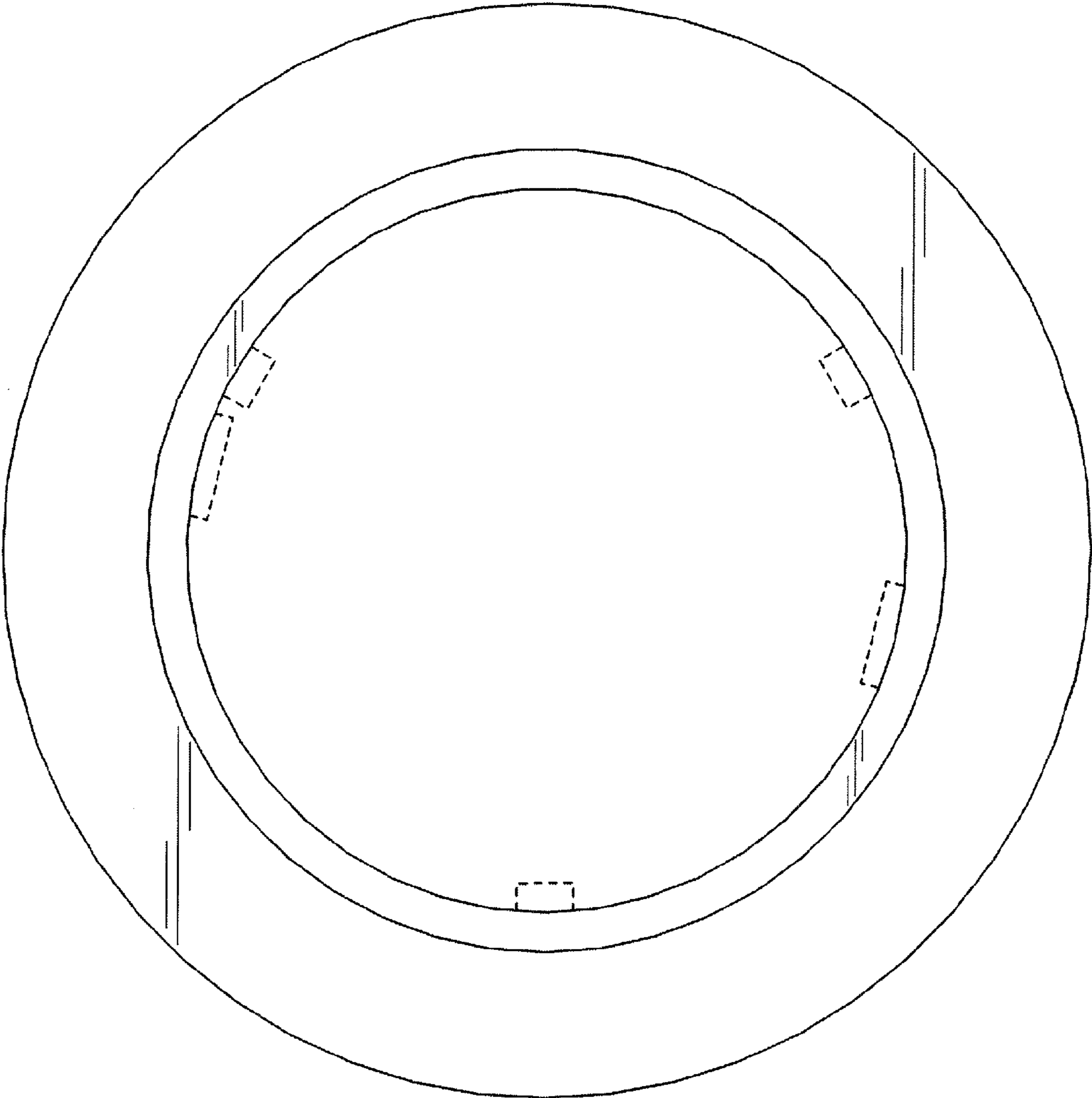


FIG. 3

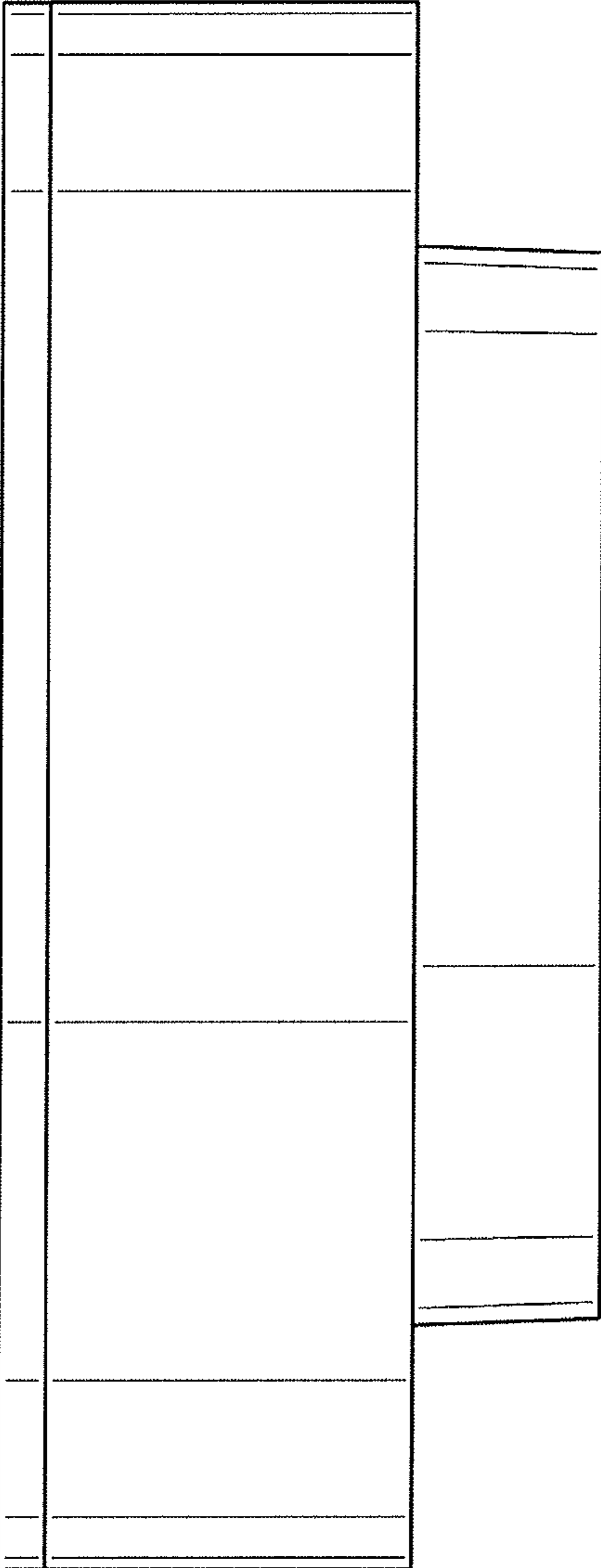


FIG. 4

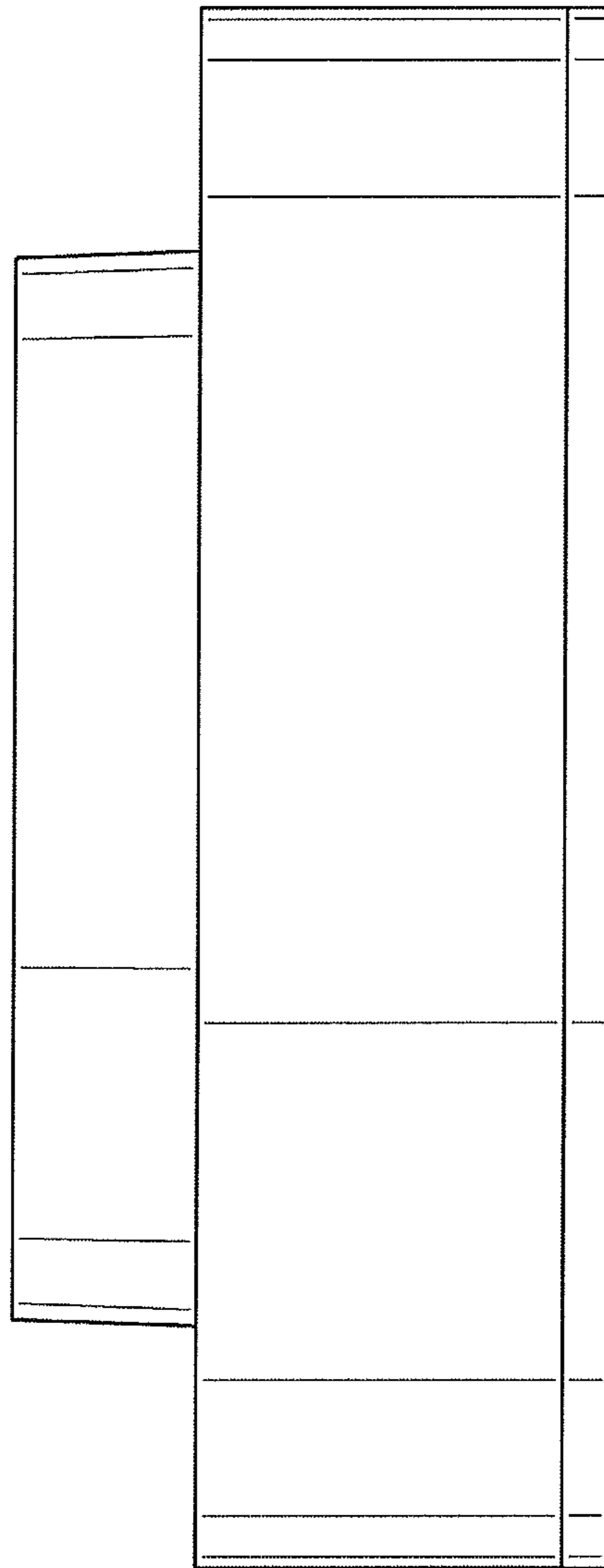


FIG. 5

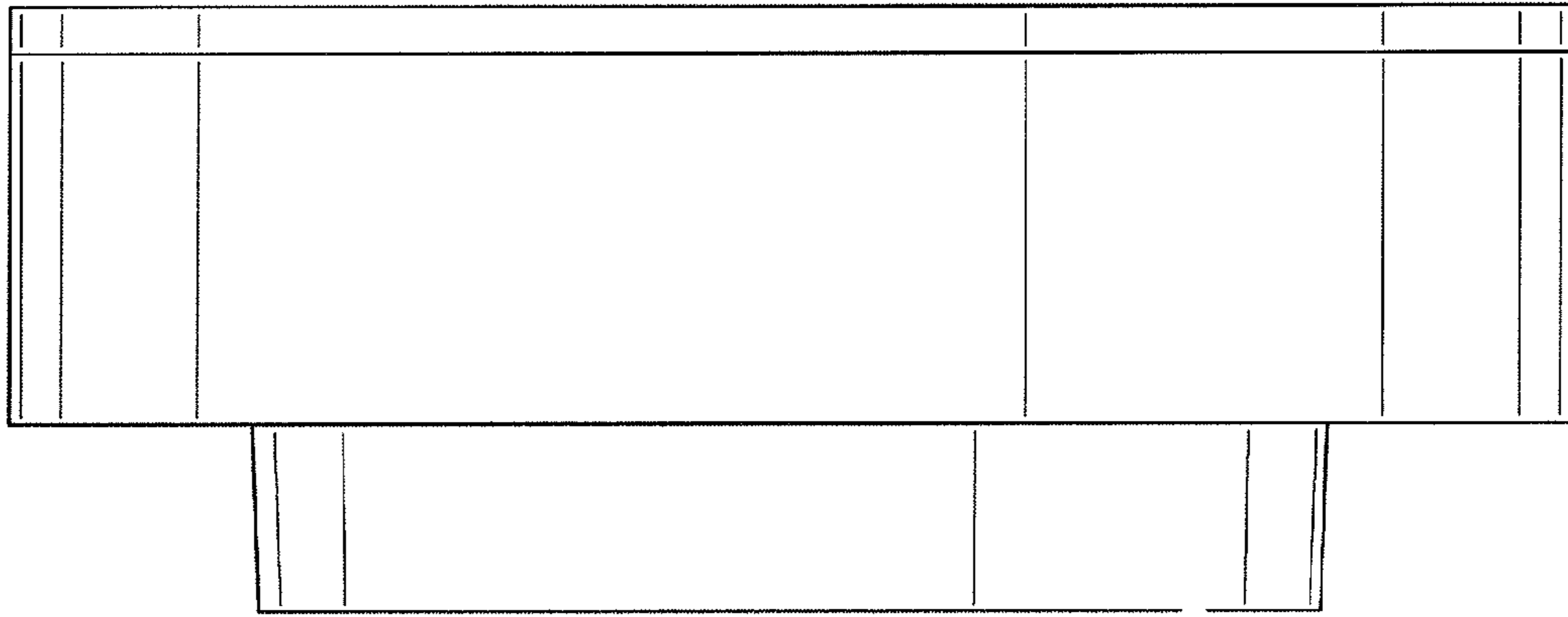


FIG. 6

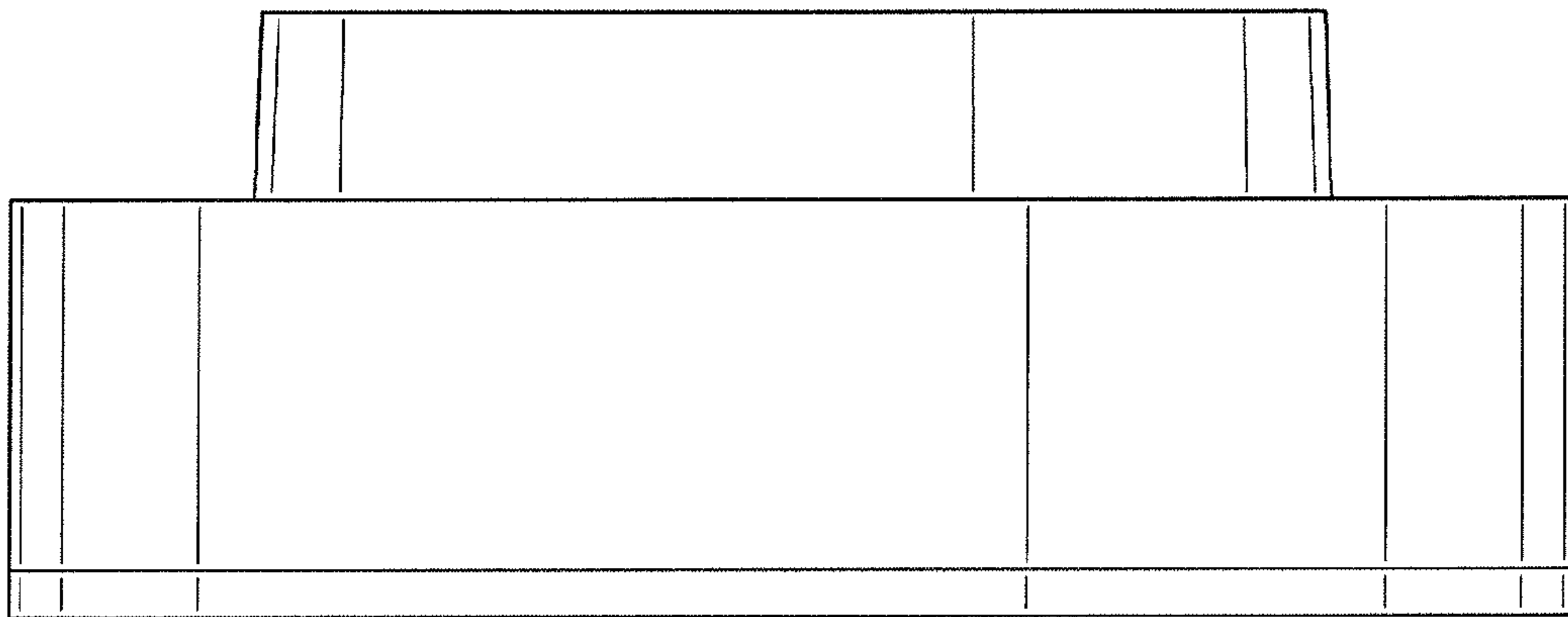


FIG. 7