



US00D699819S

(12) **United States Design Patent**
Tung

(10) **Patent No.:** **US D699,819 S**

(45) **Date of Patent:** **** Feb. 18, 2014**

(54) **DRAIN FUNNEL**

D669,969 S * 10/2012 Forrest et al. D23/261
D670,362 S * 11/2012 Eylon et al. D23/261
D683,436 S * 5/2013 Feliciano D23/261

(71) Applicant: **Marine Town Inc.**, New Taipei (TW)

* cited by examiner

(72) Inventor: **Chin-Chung Tung**, New Taipei (TW)

Primary Examiner — Eric Goodman

(73) Assignee: **Marine Town Inc.**, New Taipei (TW)

(74) *Attorney, Agent, or Firm* — WPAT, P.C.; Anthony King

(**) Term: **14 Years**

(57) **CLAIM**

(21) Appl. No.: **29/454,465**

The ornamental design for a “drain funnel,” as shown and described.

(22) Filed: **May 10, 2013**

DESCRIPTION

(51) **LOC (10) Cl.** **23-01**

(52) **U.S. Cl.**
USPC **D23/261**

(58) **Field of Classification Search**
USPC D23/260, 261, 263, 266; 4/286–294,
4/309, 178

See application file for complete search history.

FIG. 1 is a perspective view of a drain funnel showing our new design thereof;

FIG. 2 is a front elevational view thereof;

FIG. 3 is a rear elevational view thereof;

FIG. 4 is a left side elevational view thereof;

FIG. 5 is a right side elevational view thereof;

FIG. 6 is a top plan view thereof;

FIG. 7 is a bottom plan view; and,

FIG. 8 is another perspective view thereof.

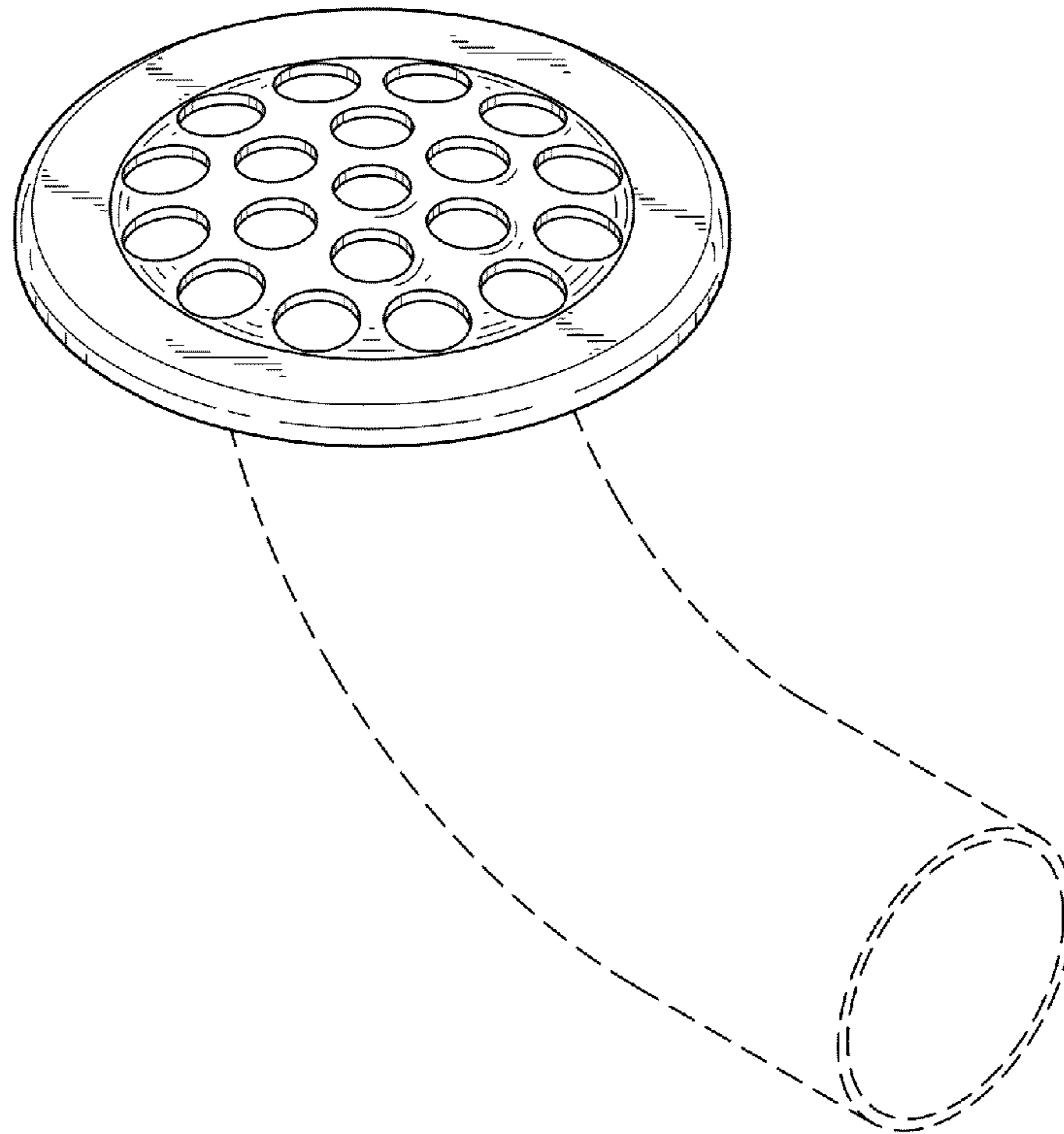
The broken line environment is for illustrative purpose only and forms no part of the claimed design, and.

(56) **References Cited**

U.S. PATENT DOCUMENTS

769,001 A * 8/1904 Lawrence 4/291
928,596 A * 7/1909 Friedman et al. 4/288
D466,198 S * 11/2002 Mullings D23/261

1 Claim, 8 Drawing Sheets



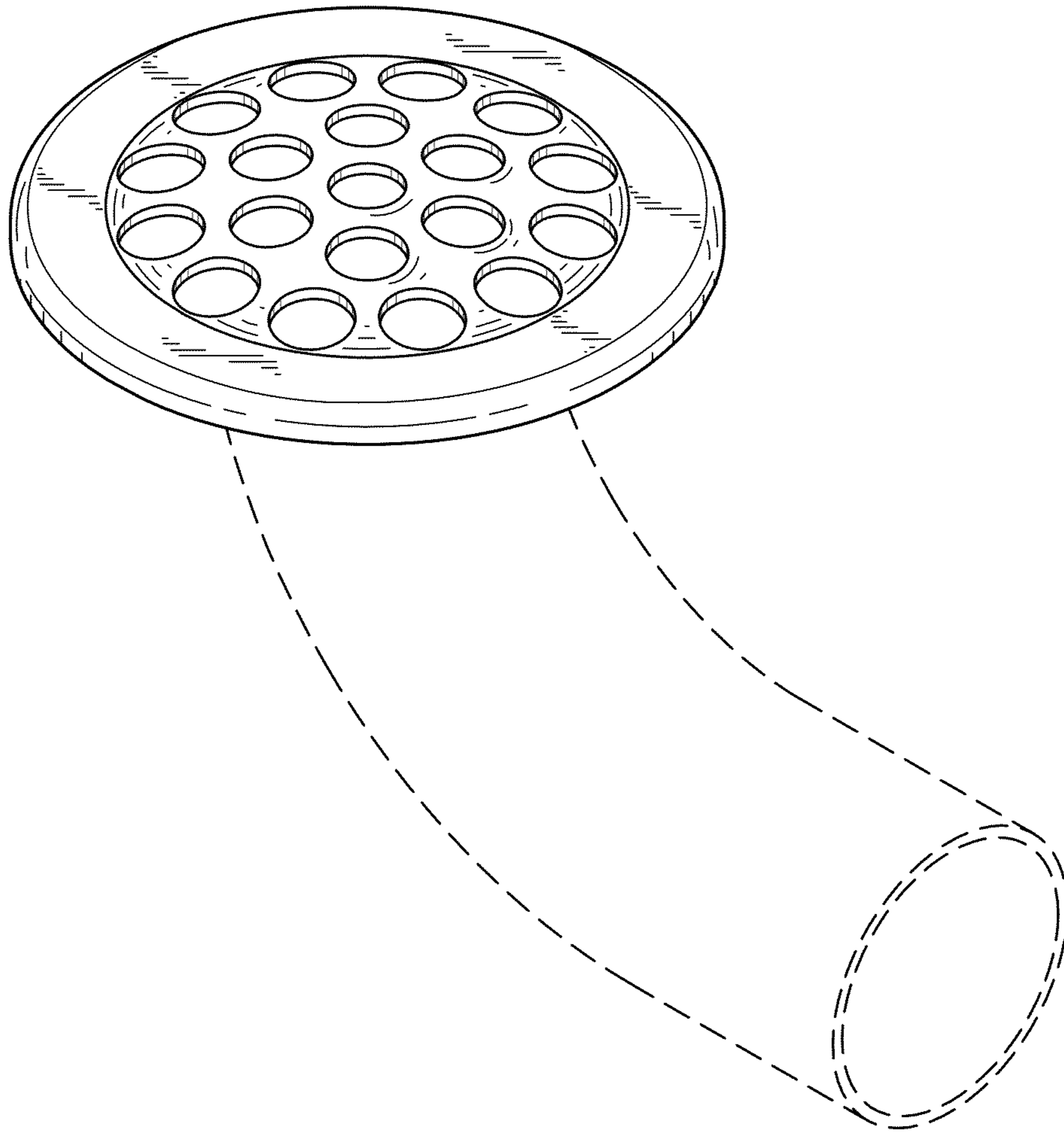


FIG. 1

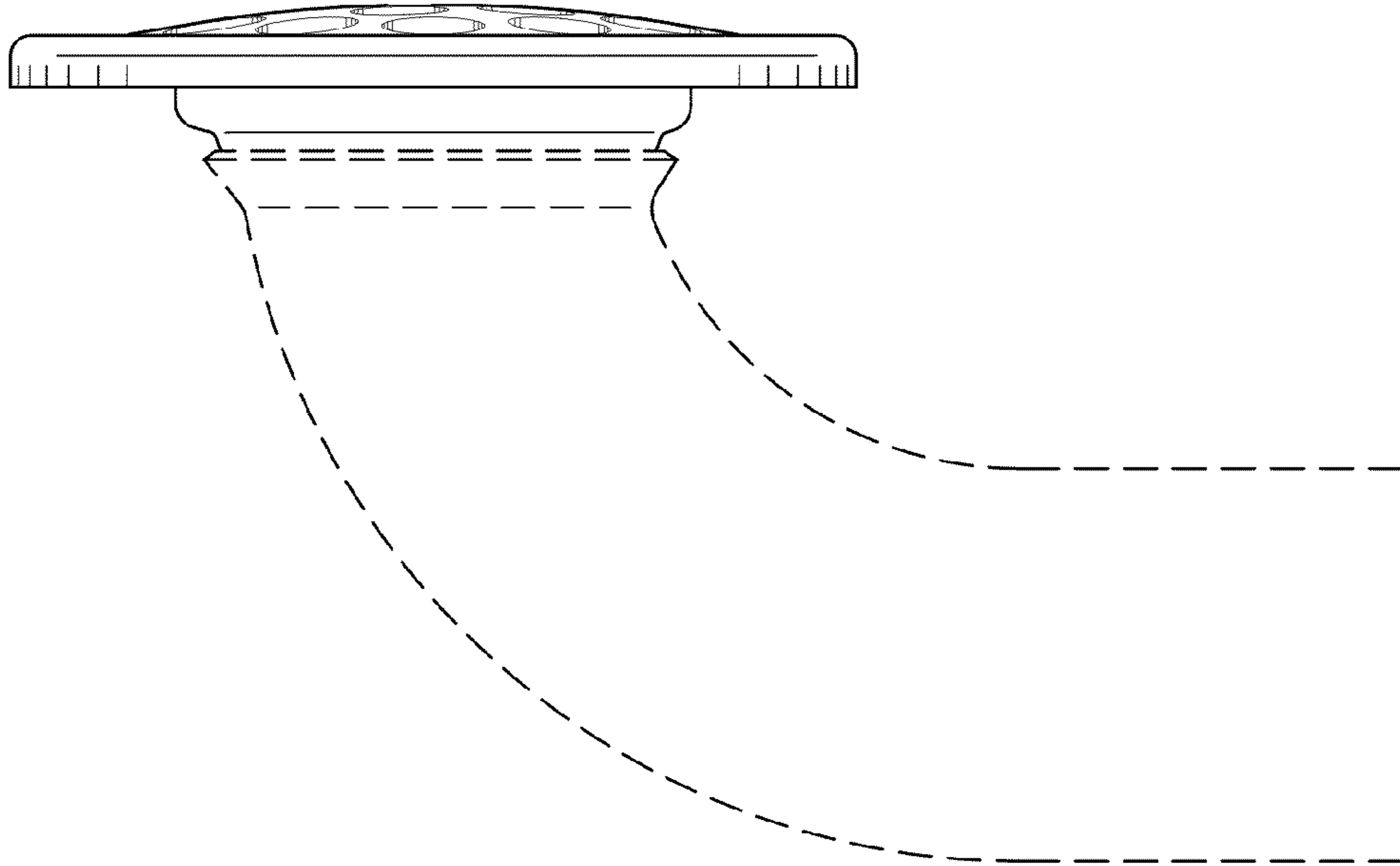


FIG. 2

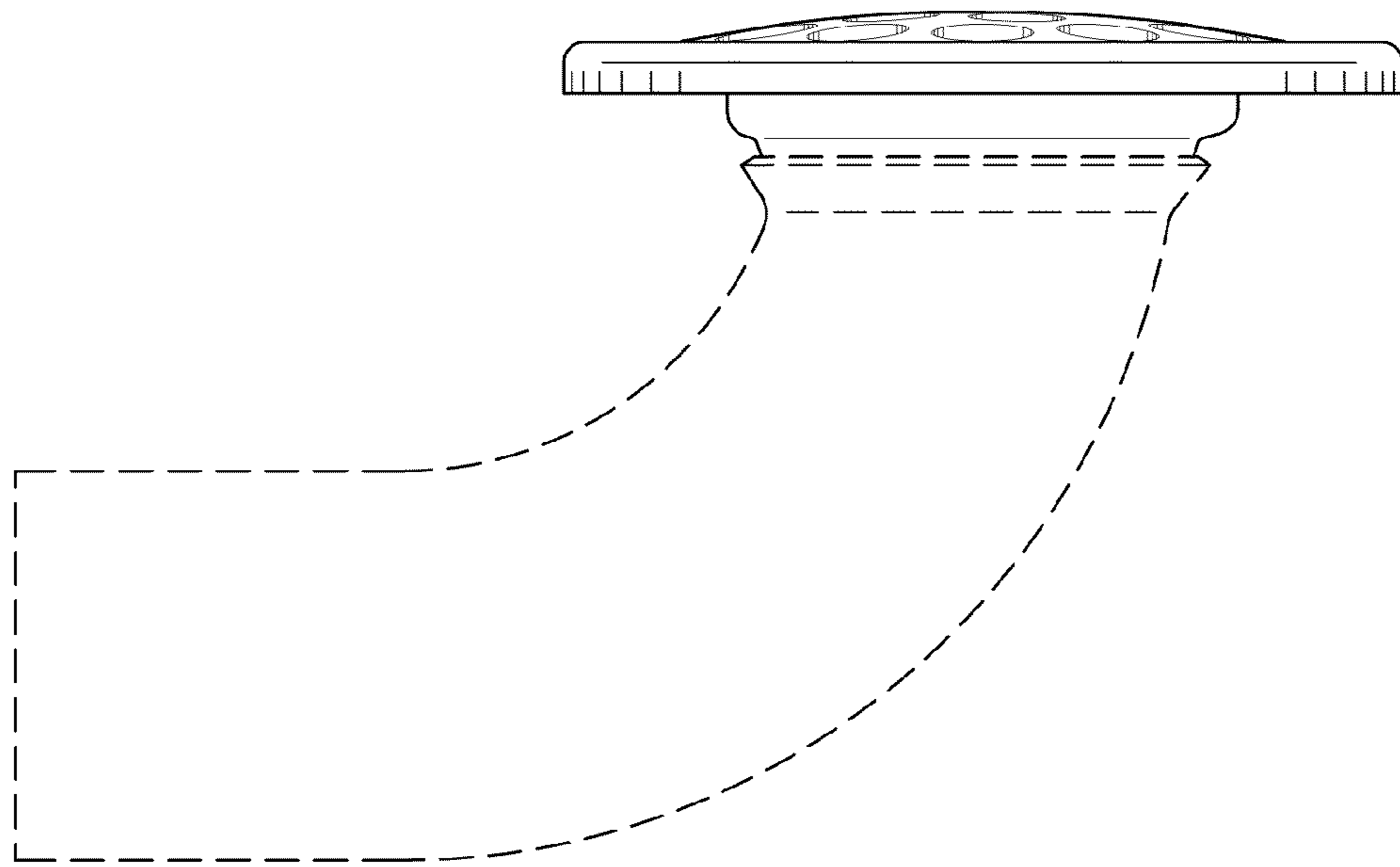


FIG. 3

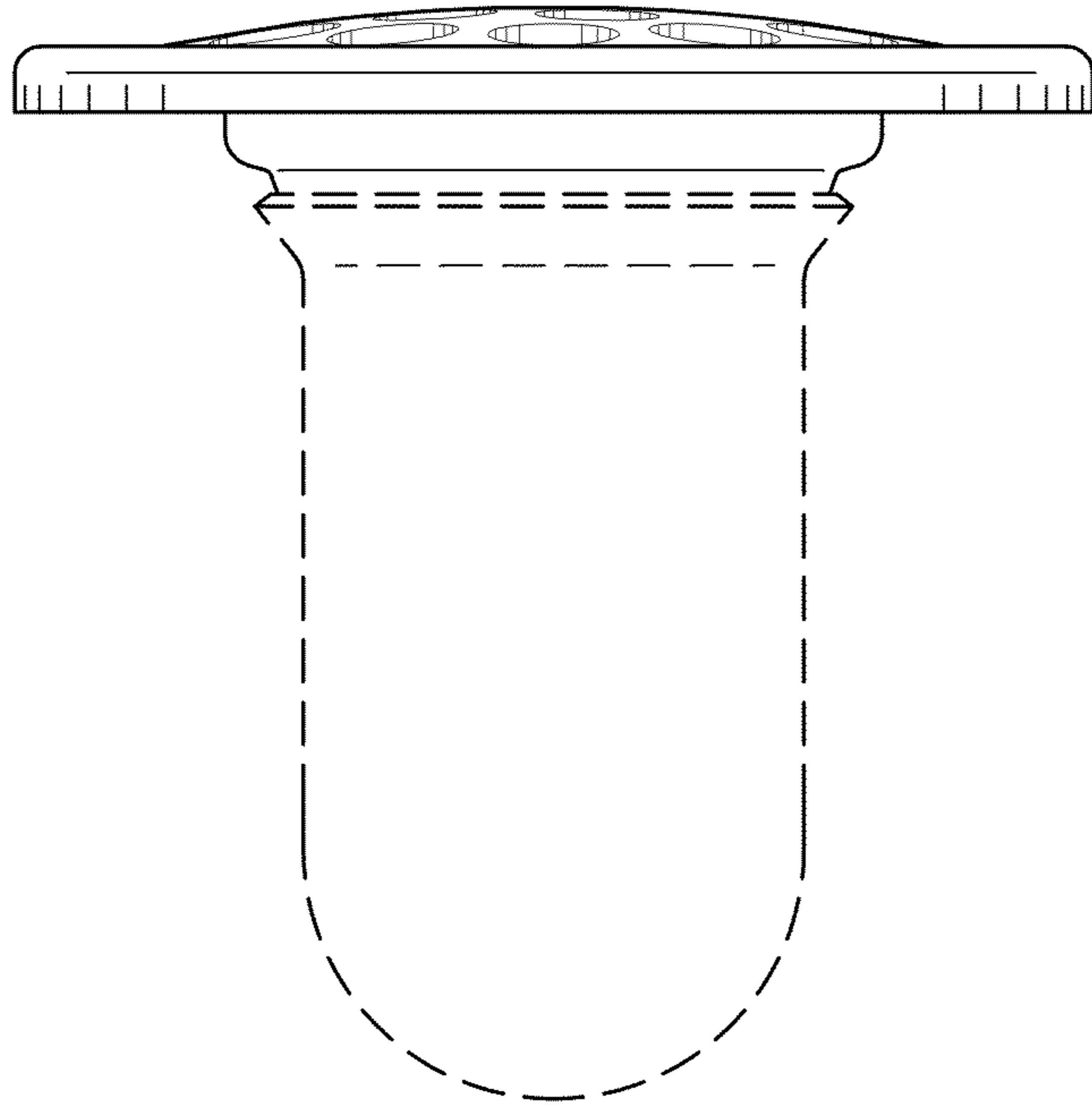


FIG. 4

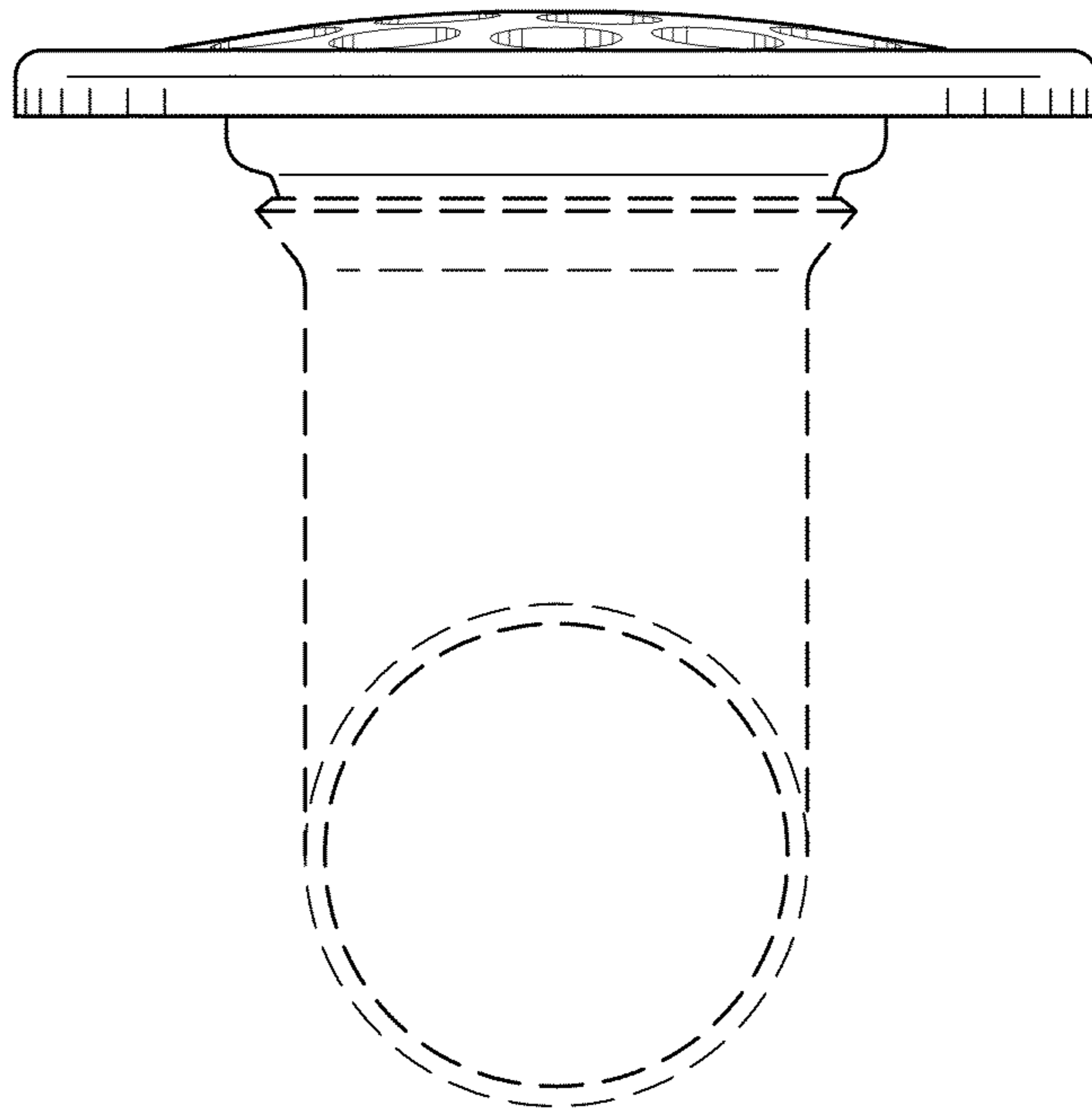


FIG. 5

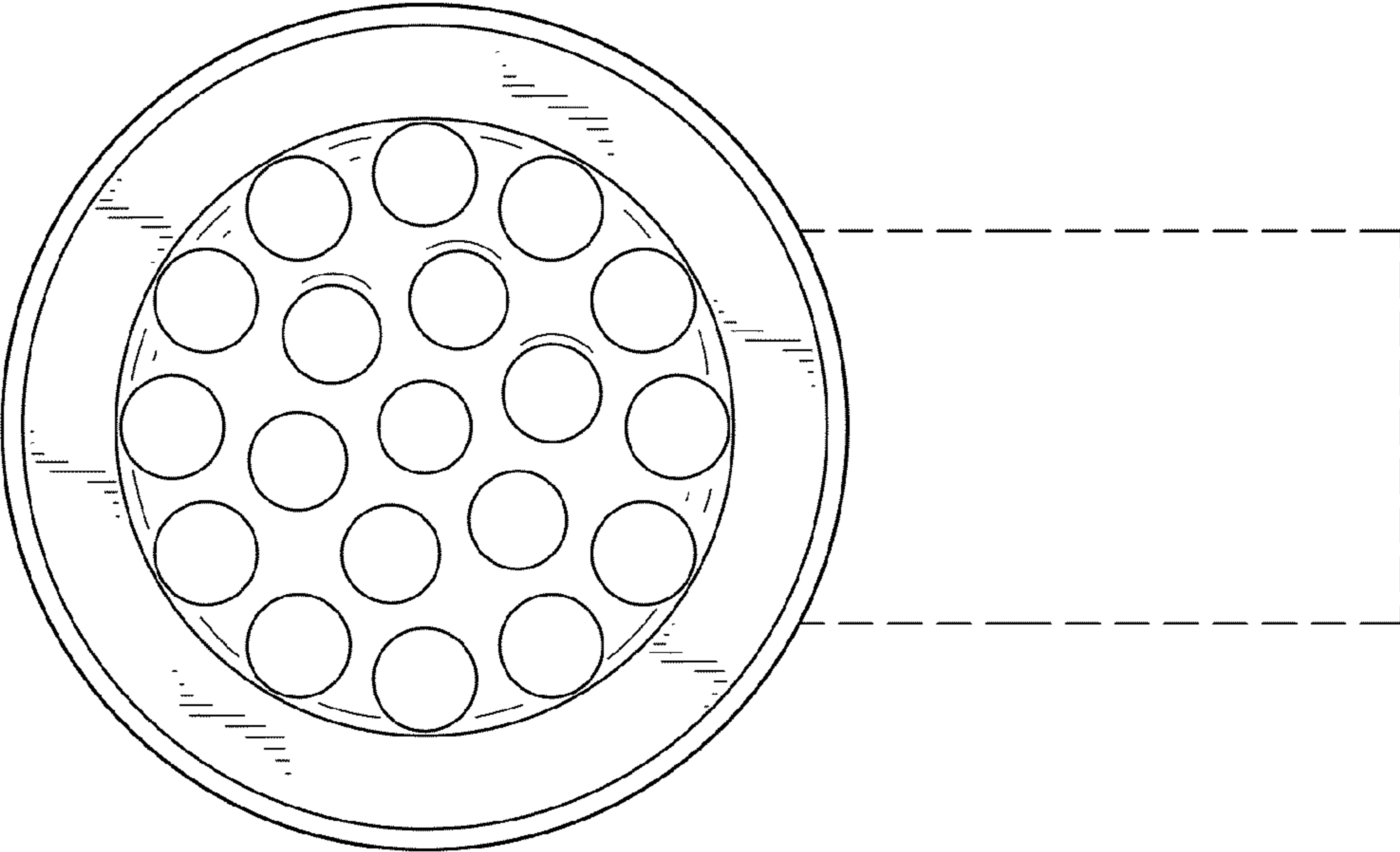


FIG. 6

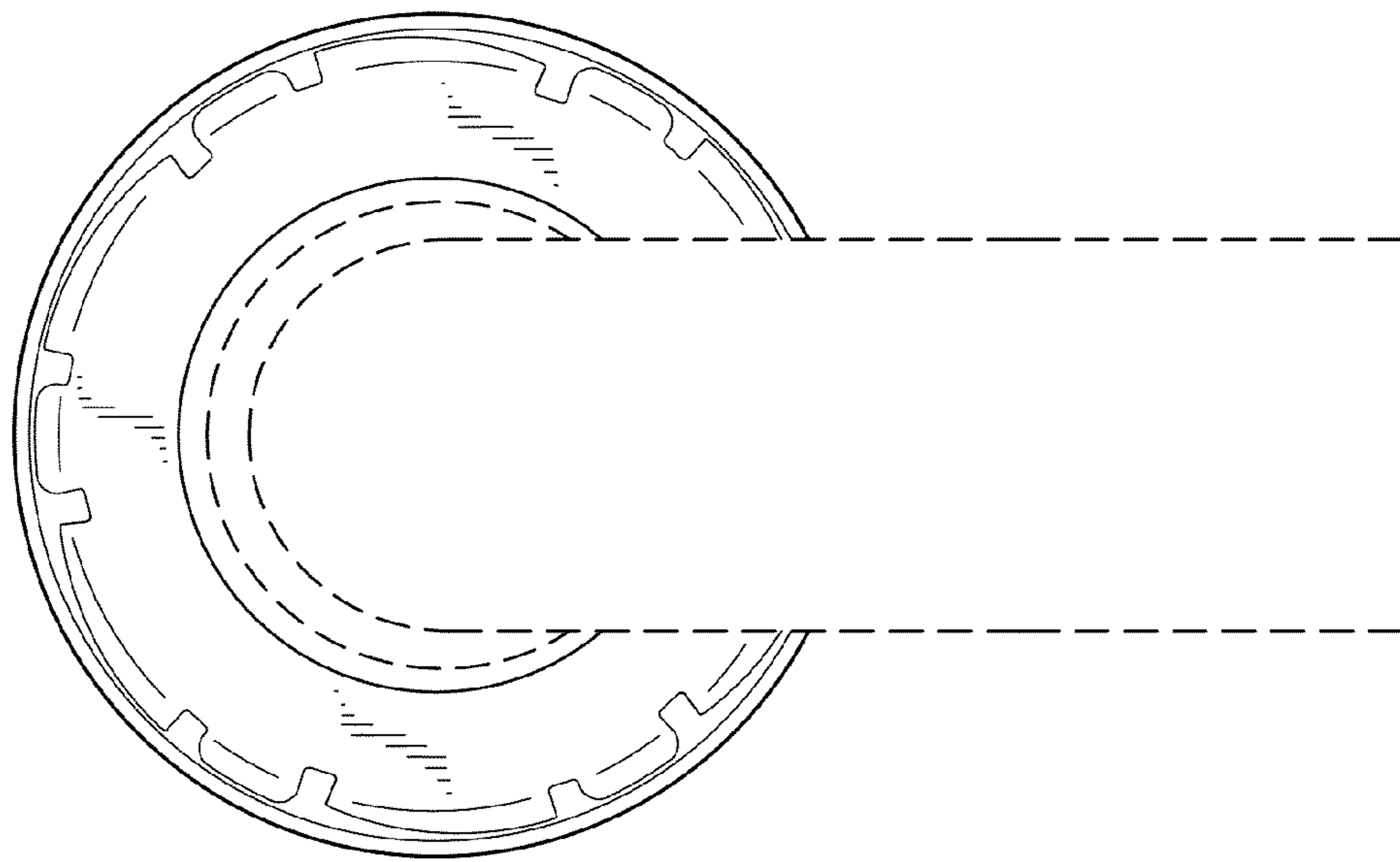


FIG. 7

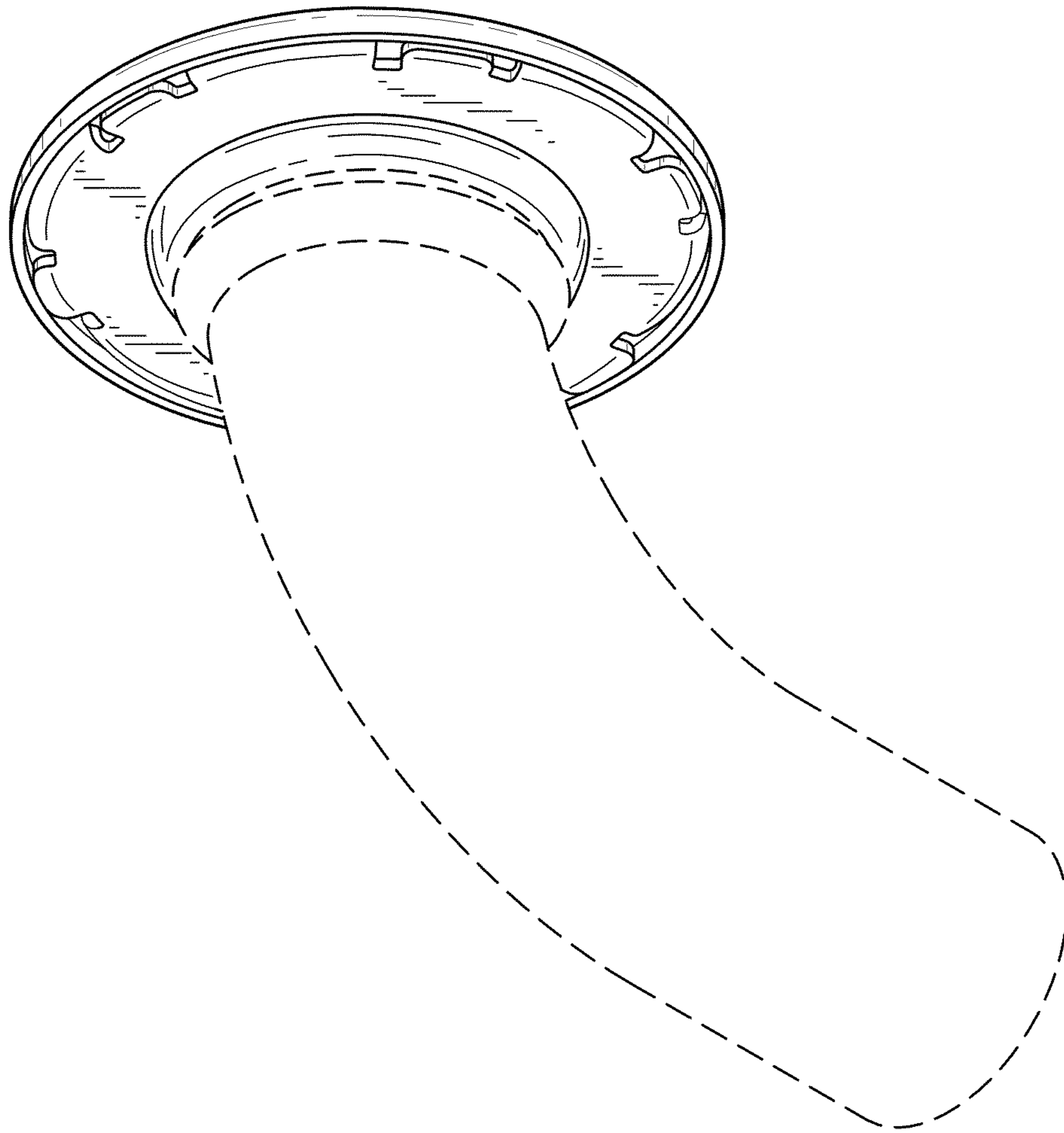


FIG. 8