



US00D699816S

(12) **United States Design Patent**
Blum

(10) **Patent No.:** **US D699,816 S**

(45) **Date of Patent:** **** Feb. 18, 2014**

(54) **STREAM STRAIGHTENER FOR FAUCET**

(75) Inventor: **Gerhard Blum**, Gutach (DE)

(73) Assignee: **Neoperl GmbH**, Müllheim (DE)

(**) Term: **14 Years**

(21) Appl. No.: **29/407,160**

(22) Filed: **Nov. 23, 2011**

(30) **Foreign Application Priority Data**

Aug. 17, 2001 (EM) 001289961-0001
Jun. 20, 2011 (EM) 001282065-0001/37

(51) **LOC (10) Cl.** **23-01**

(52) **U.S. Cl.**
USPC **D23/249**

(58) **Field of Classification Search**
USPC D23/233–237, 244–249, 257, 260;
138/37, 40, 41, 42; 239/3, 428.5, 552,
239/553, 553.5, 391, 397, 580, 600;
261/DIG. 22

See application file for complete search history.

(56) **References Cited**

U.S. PATENT DOCUMENTS

D604,806 S * 11/2009 Blum D23/233
7,644,876 B2 1/2010 Weis et al.
D622,355 S * 8/2010 Grether D23/249
D641,836 S * 7/2011 Grether D23/249
D641,838 S * 7/2011 Grether D23/249
D642,662 S * 8/2011 Grether D23/249
D684,240 S * 6/2013 Stein D23/213

2006/0163386 A1 7/2006 Weis et al.
2008/0111007 A1 5/2008 Grether
2008/0149743 A1 6/2008 Weis et al.
2011/0006132 A1 1/2011 Grether
2011/0266369 A1 11/2011 Grether

* cited by examiner

Primary Examiner — Cynthia Ramirez

(74) *Attorney, Agent, or Firm* — Volpe and Koenig, P.C.

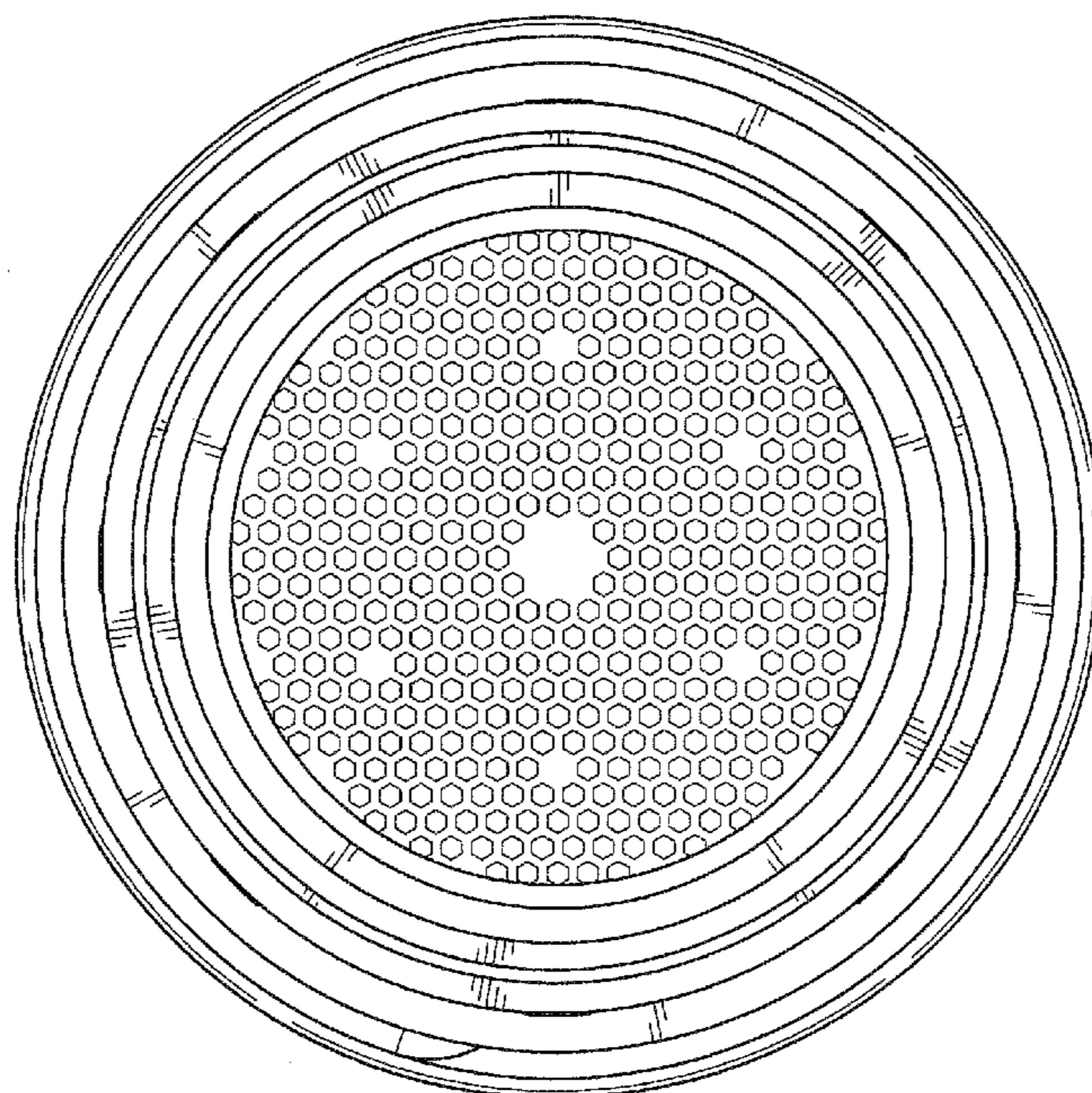
(57) **CLAIM**

The ornamental design for a stream straightener for faucet, as shown and described.

DESCRIPTION

FIG. 1 is a top plan view of a first embodiment of a stream straightener for faucet in accordance with my design; FIG. 2 is a top, front, right perspective view thereof; FIG. 3 is a bottom view thereof; FIG. 4 is a bottom, front, right perspective view thereof; and FIG. 5 is a right side elevational view thereof; FIG. 6 is a top plan view of a second embodiment of a stream straightener for faucet in accordance with my design; FIG. 7 is a top, front, right perspective view thereof; FIG. 8 is a bottom view thereof; FIG. 9 is a bottom, front, right perspective view thereof; and FIG. 10 is a right side elevational view thereof; FIG. 11 is a top plan view of a third embodiment of a stream straightener for faucet in accordance with my design; FIG. 12 is a top, front, right perspective view thereof; FIG. 13 is a bottom view thereof; FIG. 14 is a bottom, front, right perspective view thereof; and, FIG. 15 is a right side elevational view thereof.

1 Claim, 15 Drawing Sheets



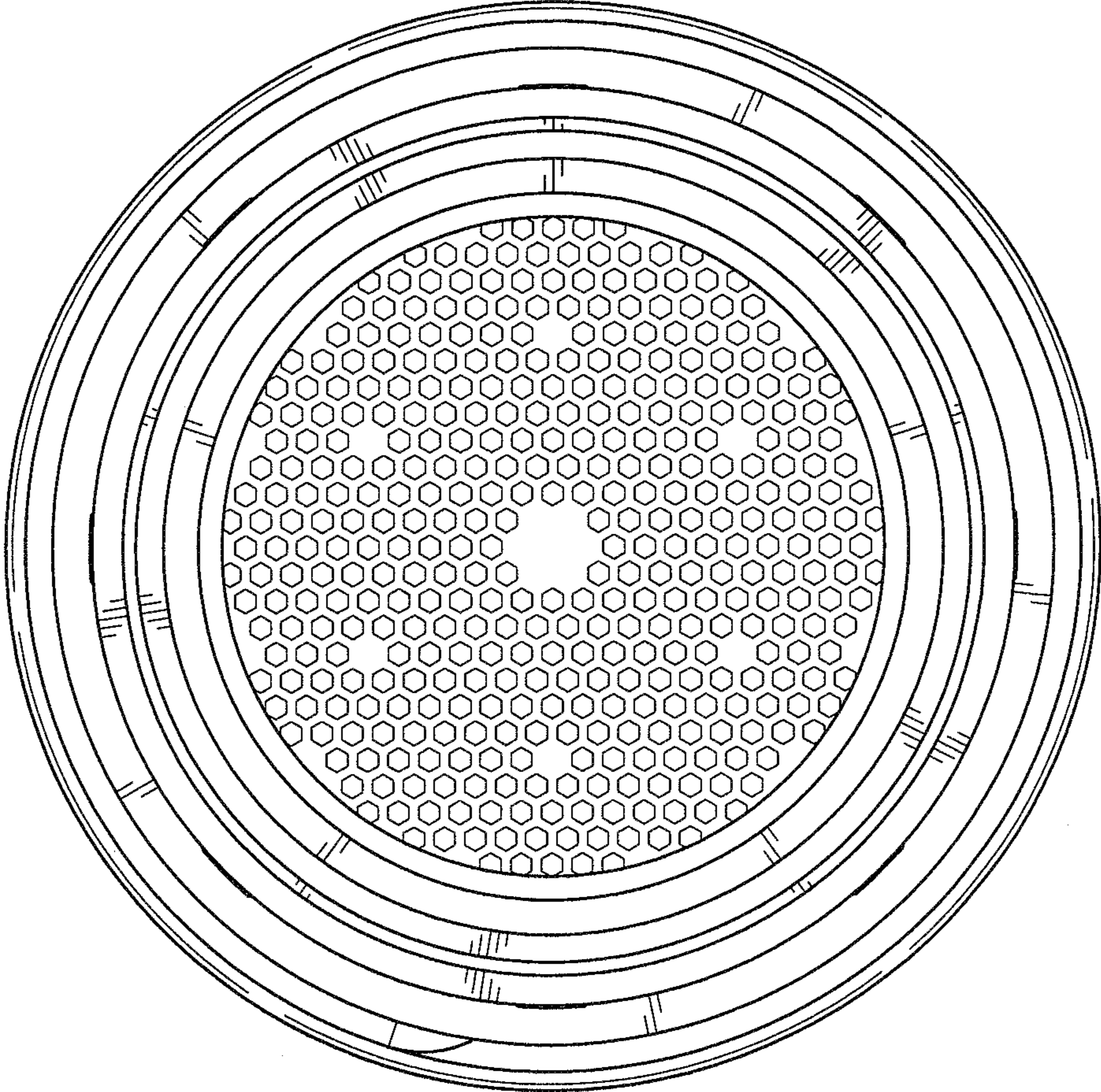


Fig. 1

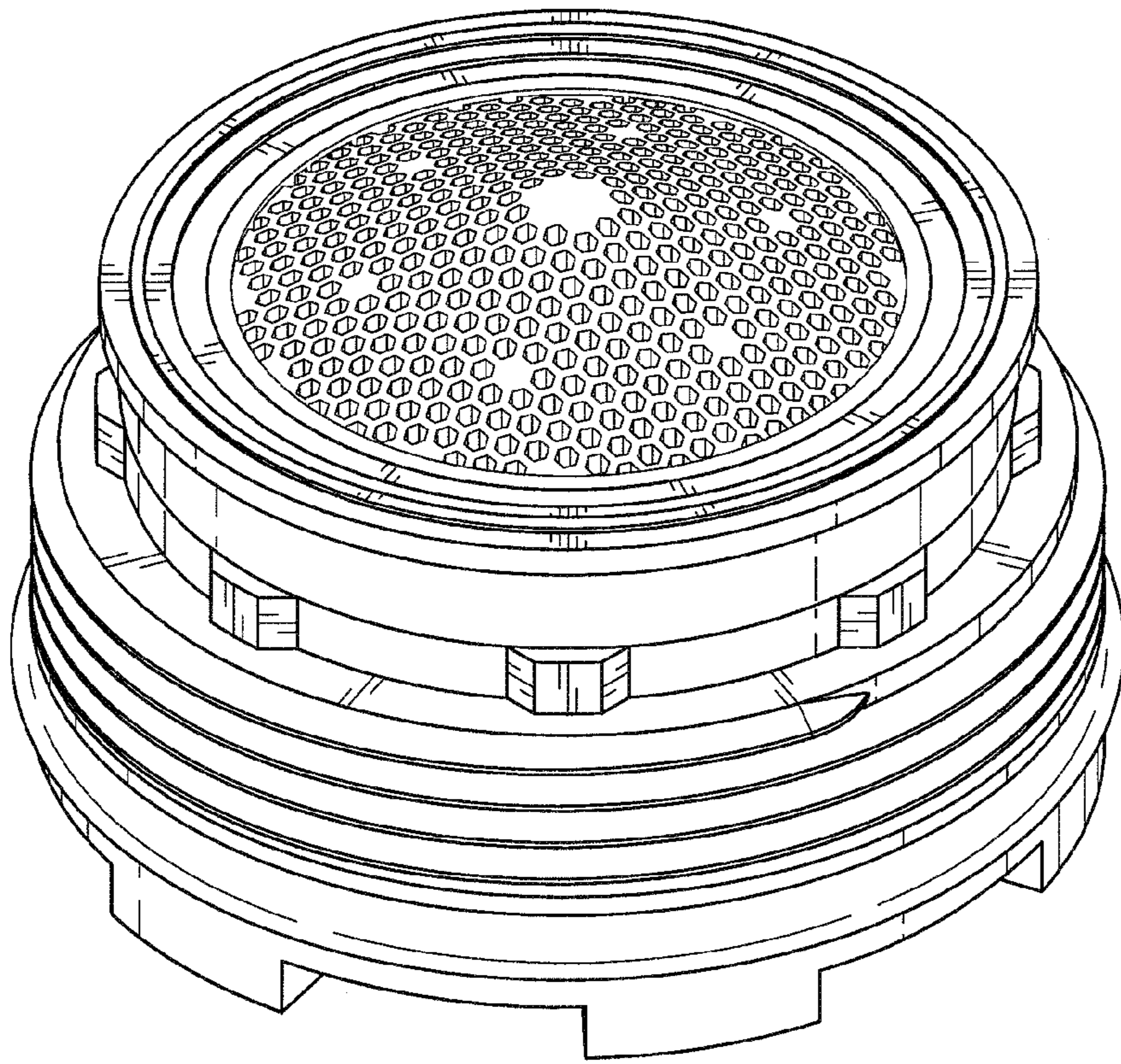


Fig. 2

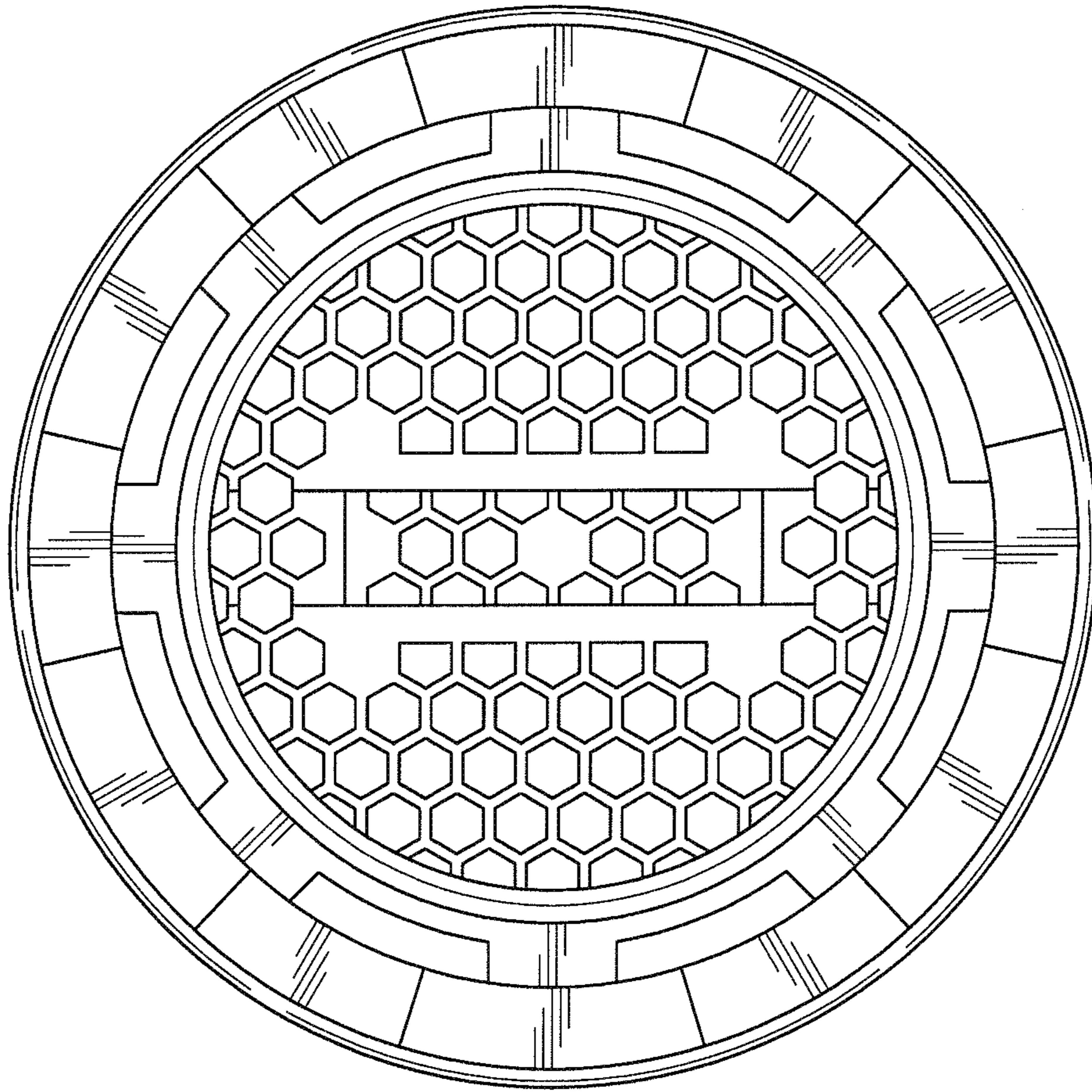


Fig. 3

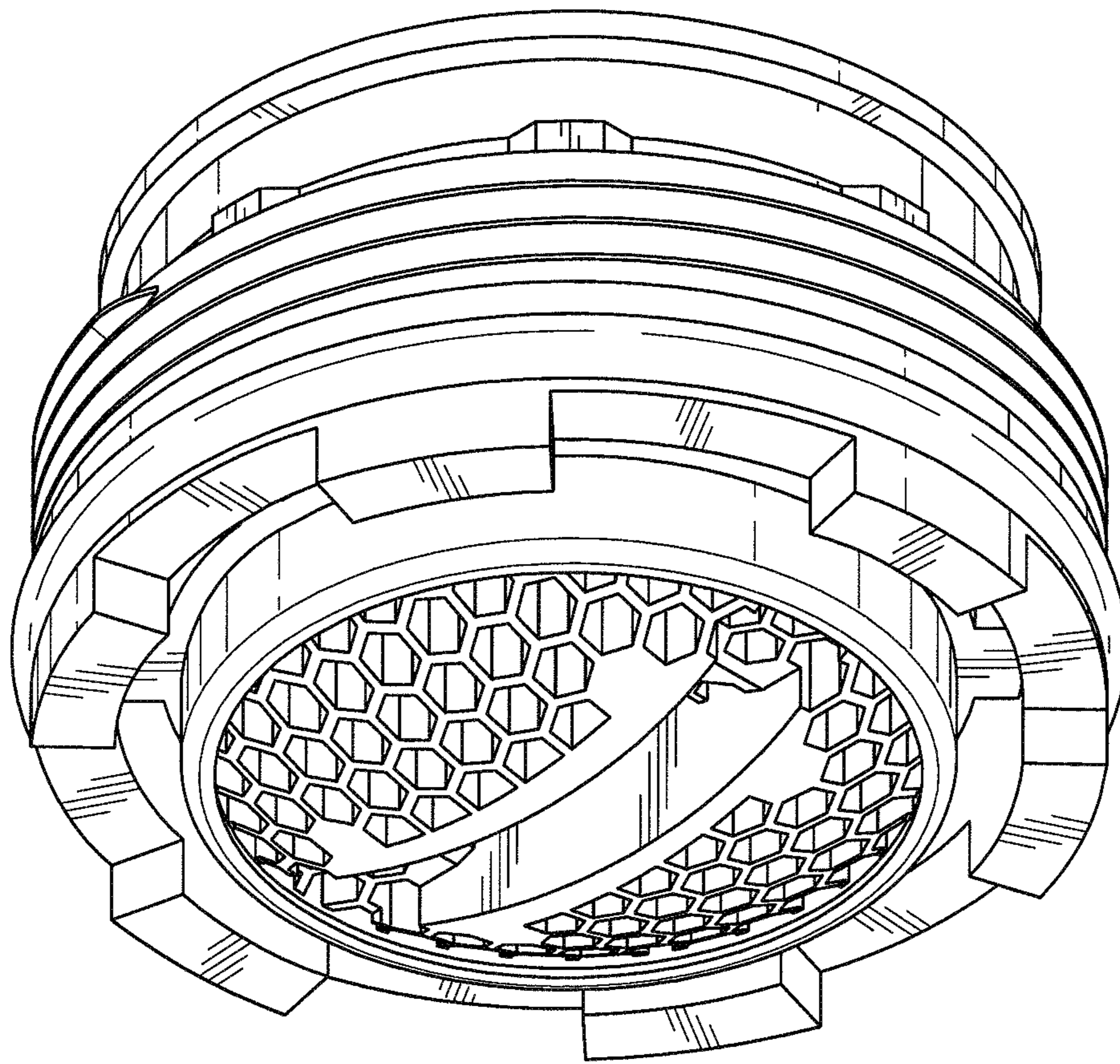


Fig. 4

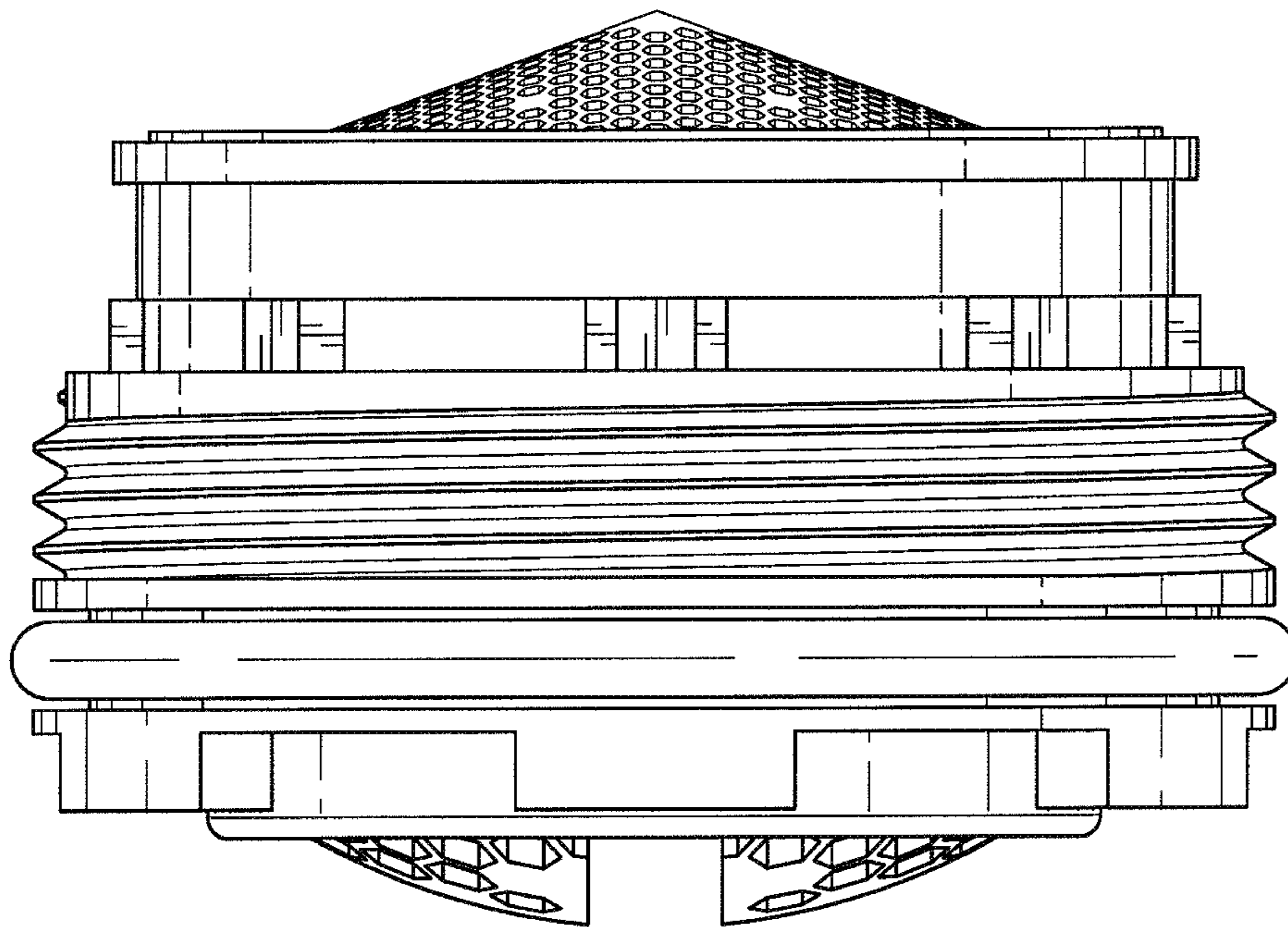


Fig. 5

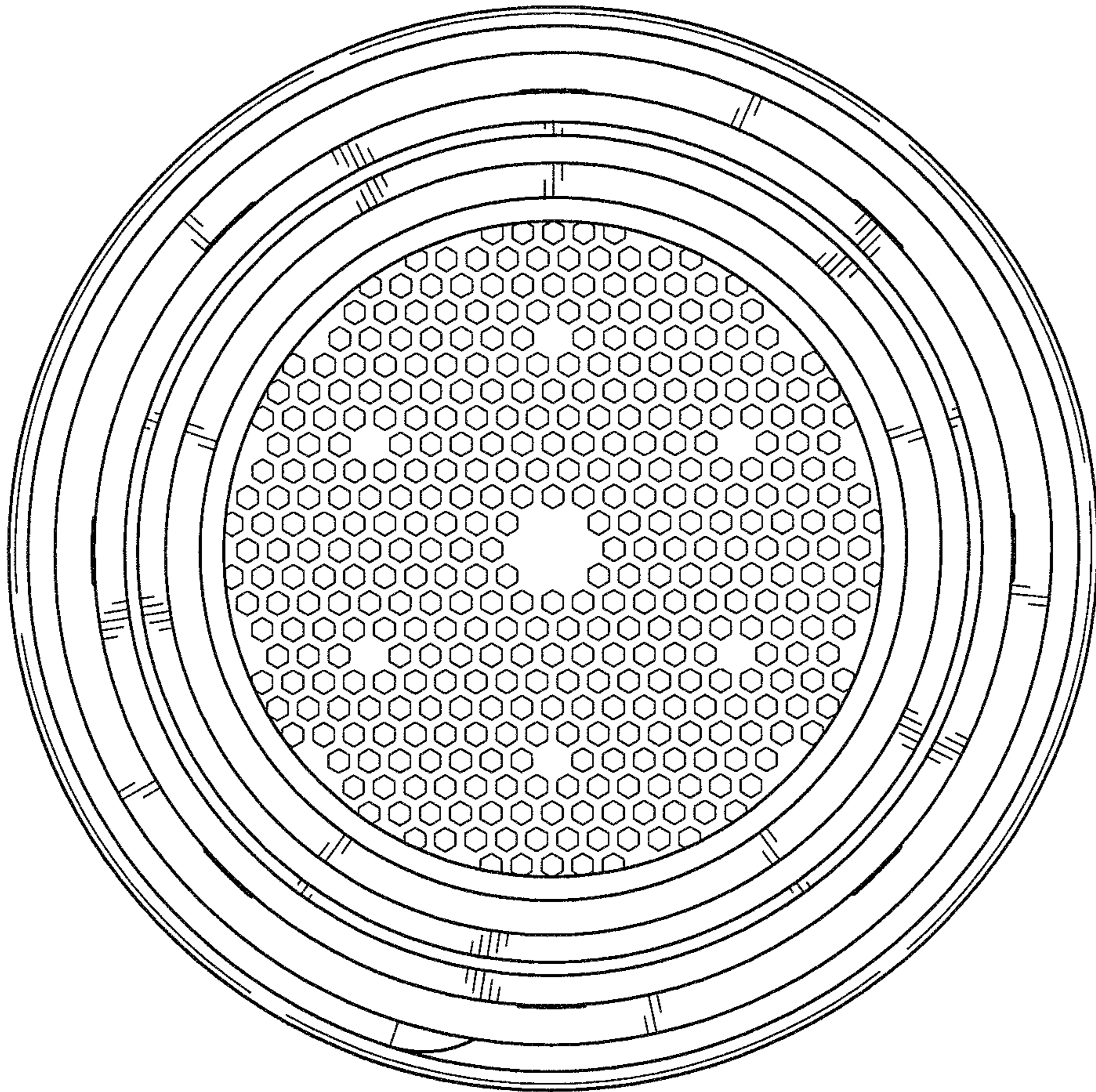


Fig. 6

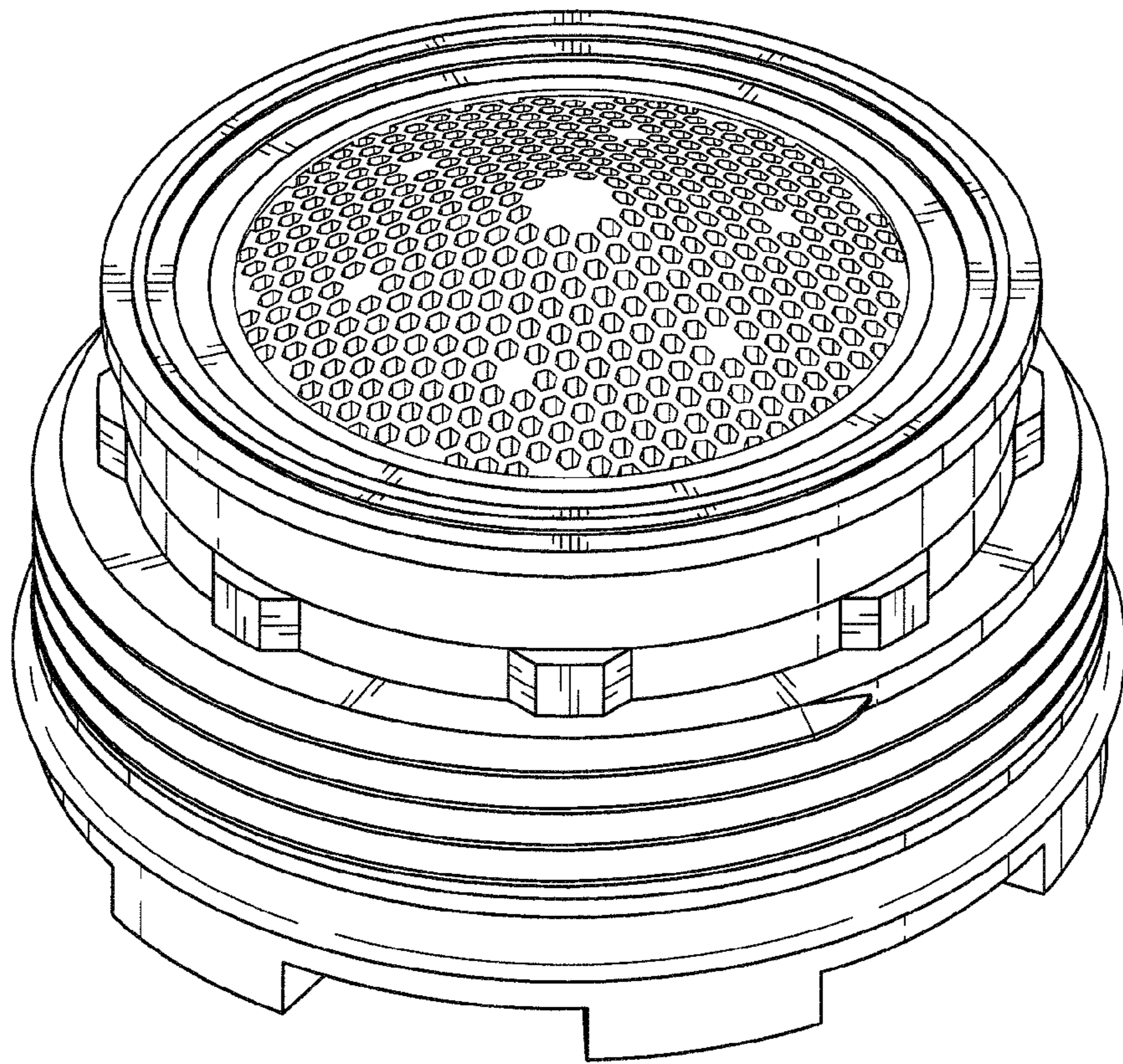


Fig. 7

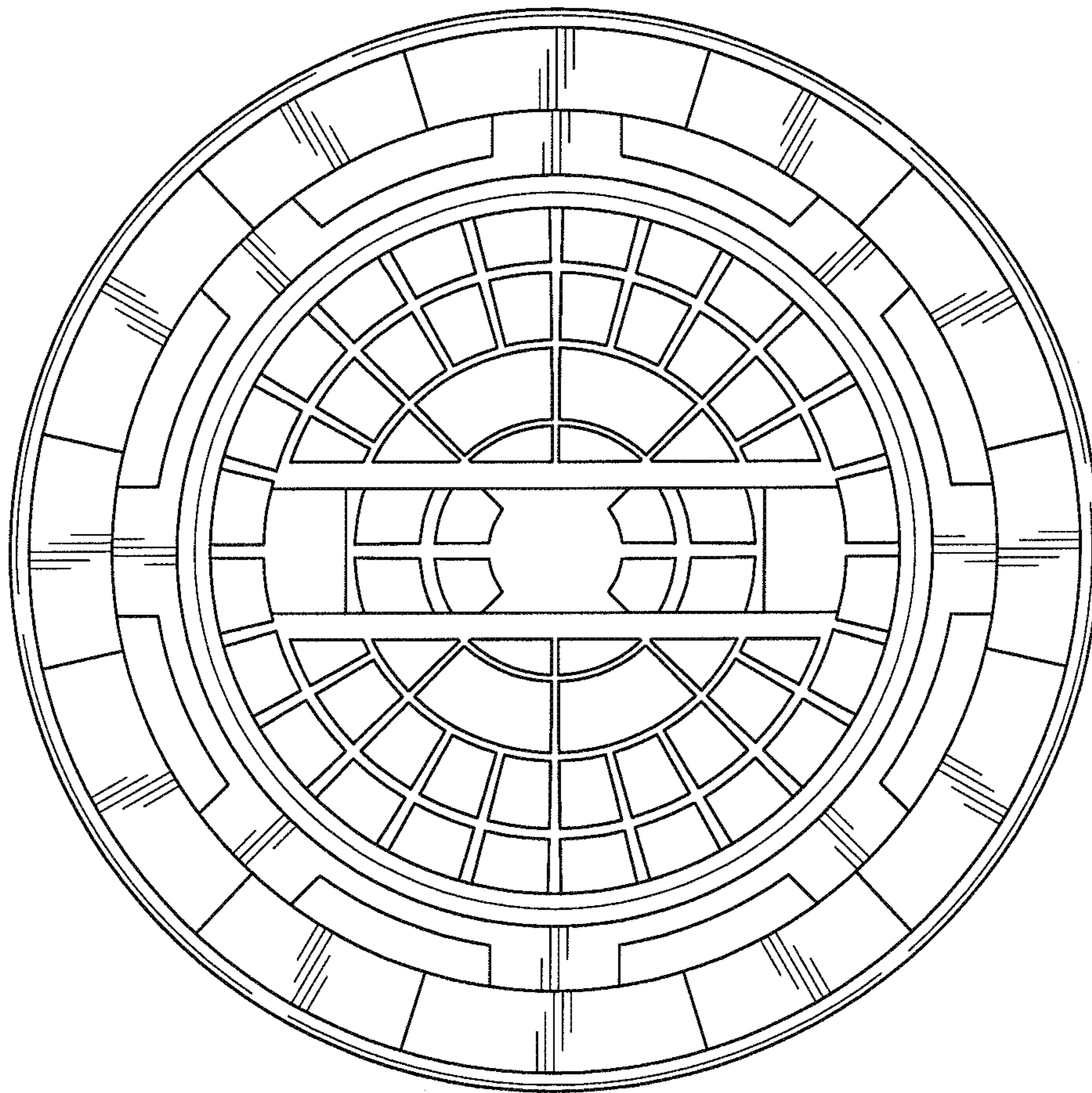


Fig. 8

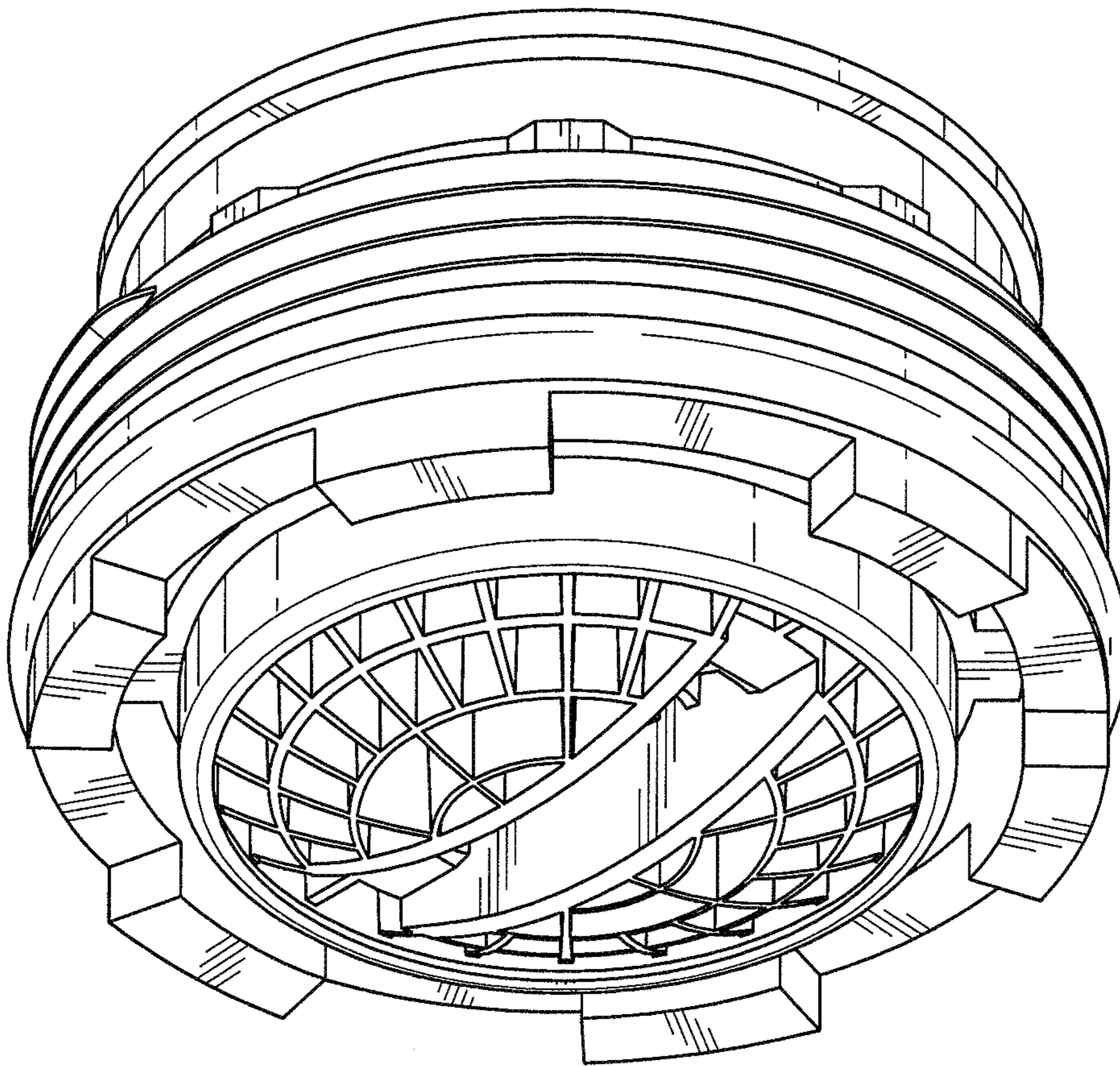


Fig. 9

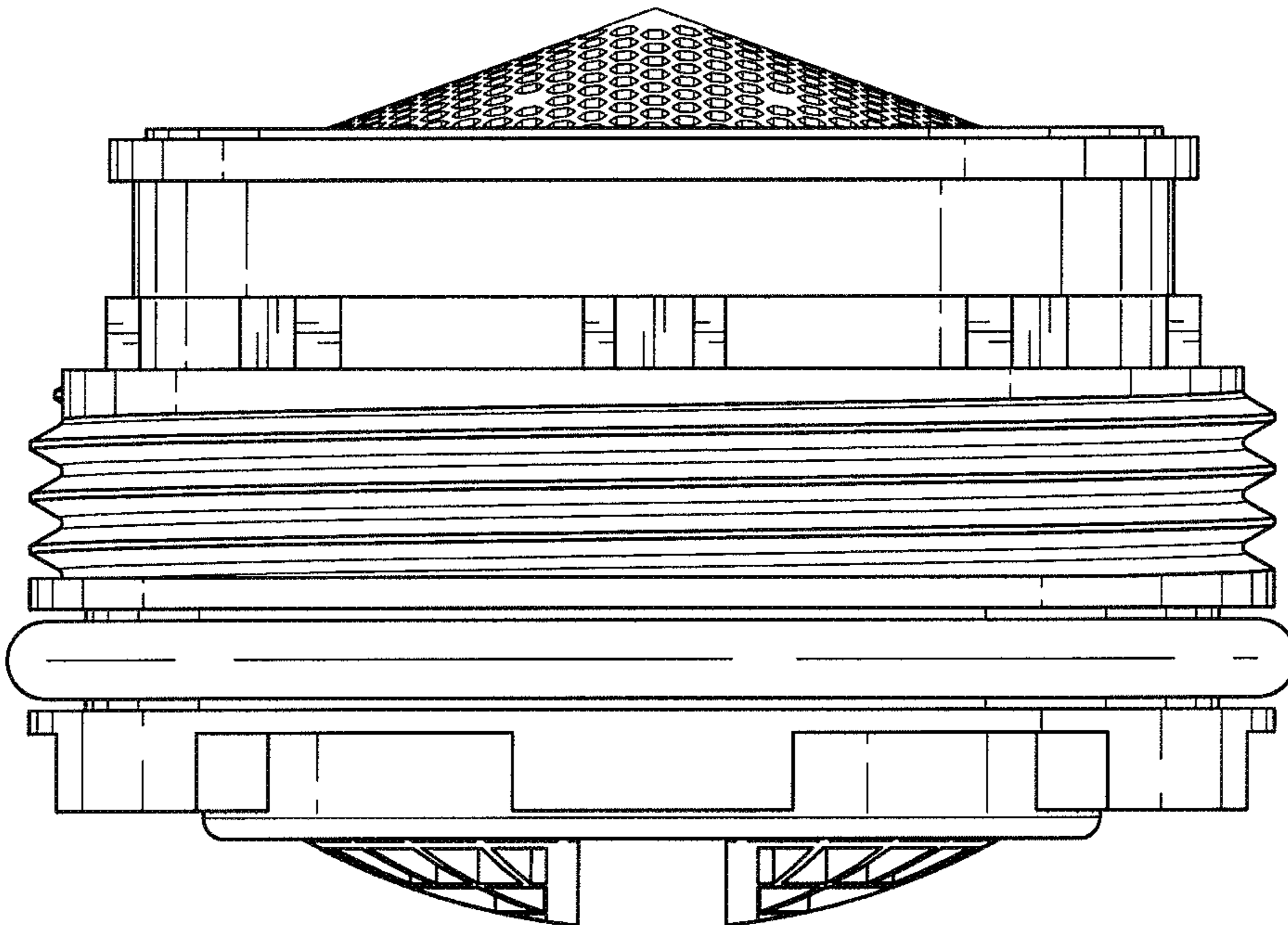


Fig. 10

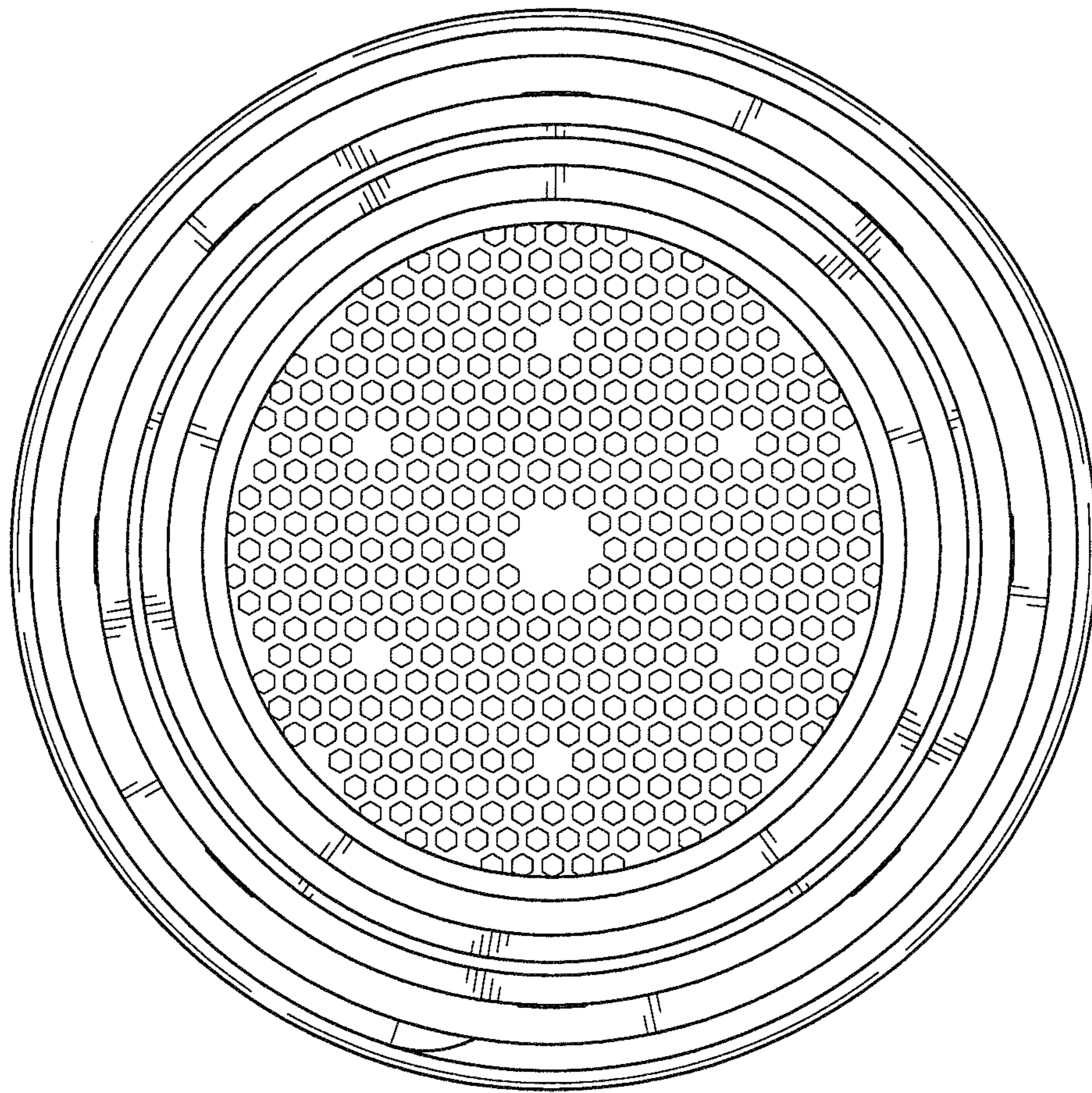


Fig. 11

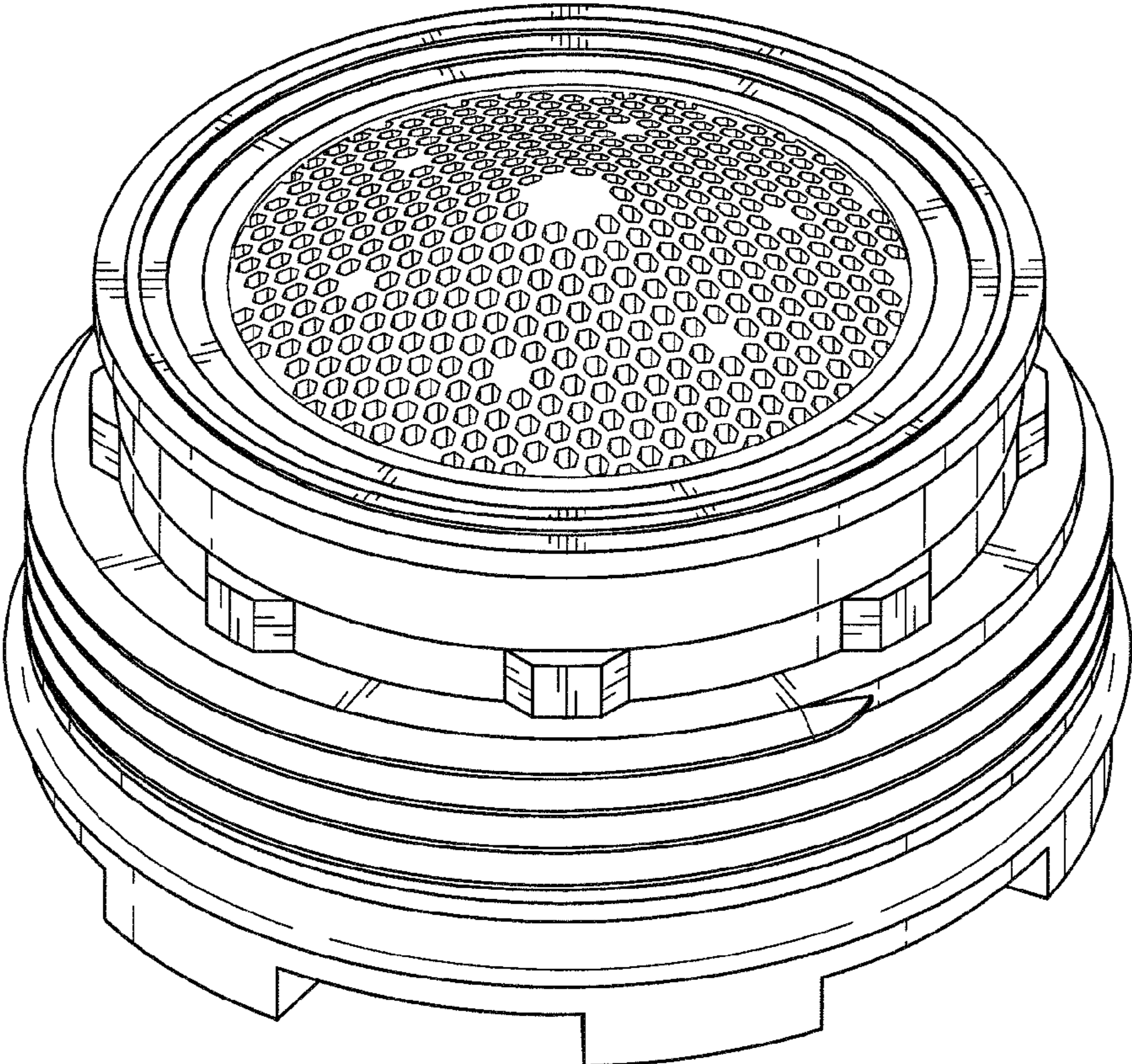


Fig. 12

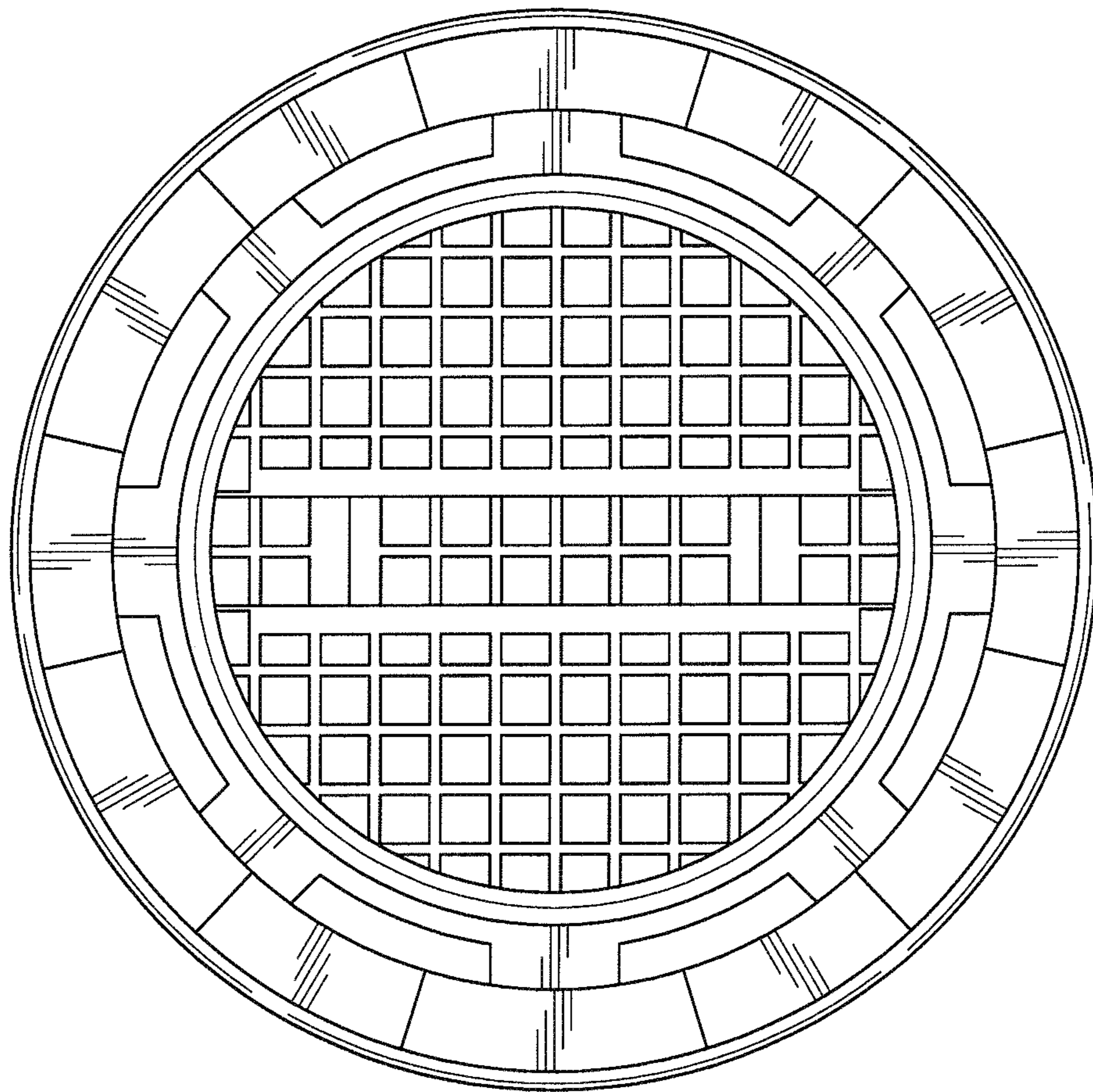


Fig. 13

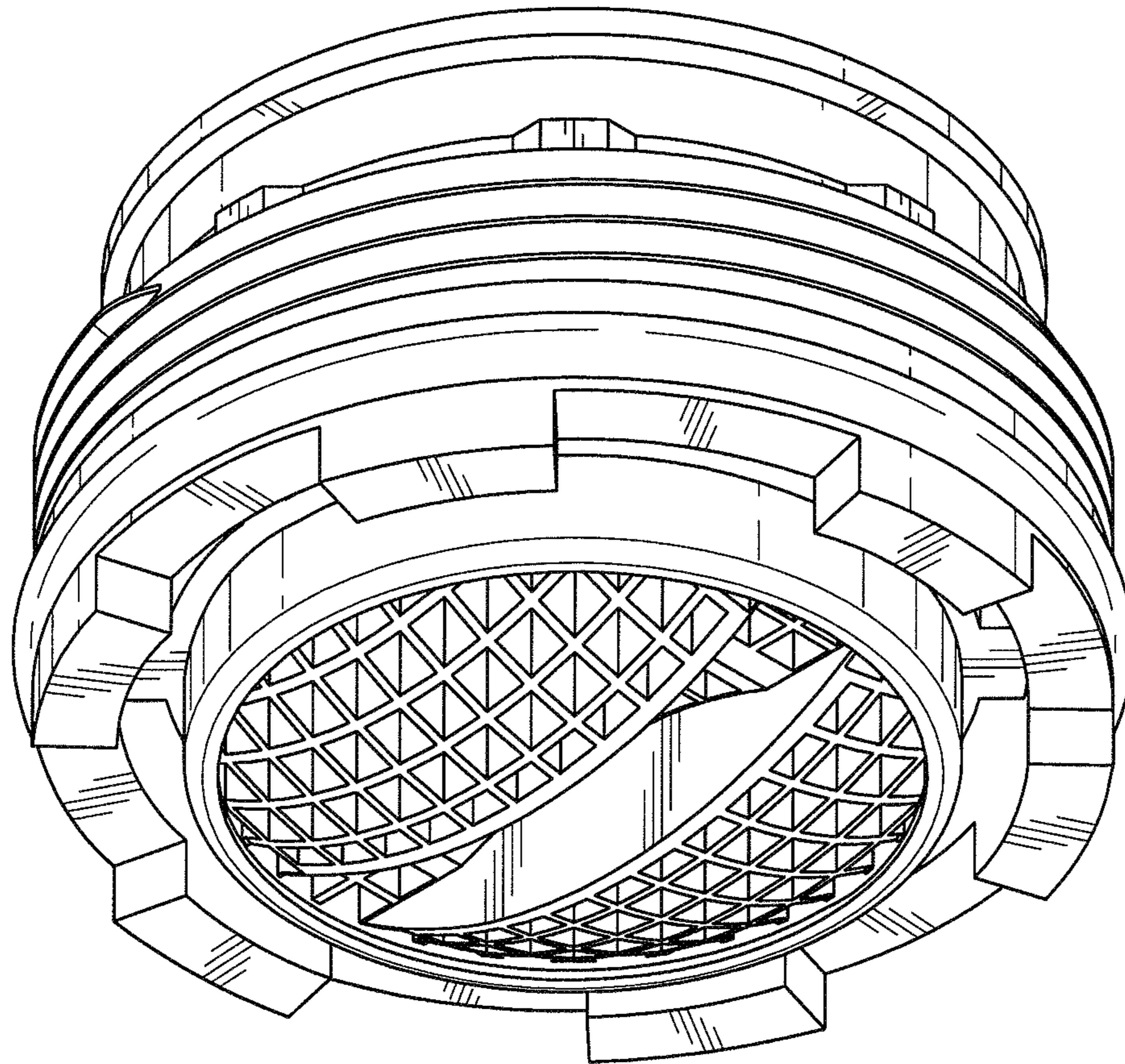


Fig. 14

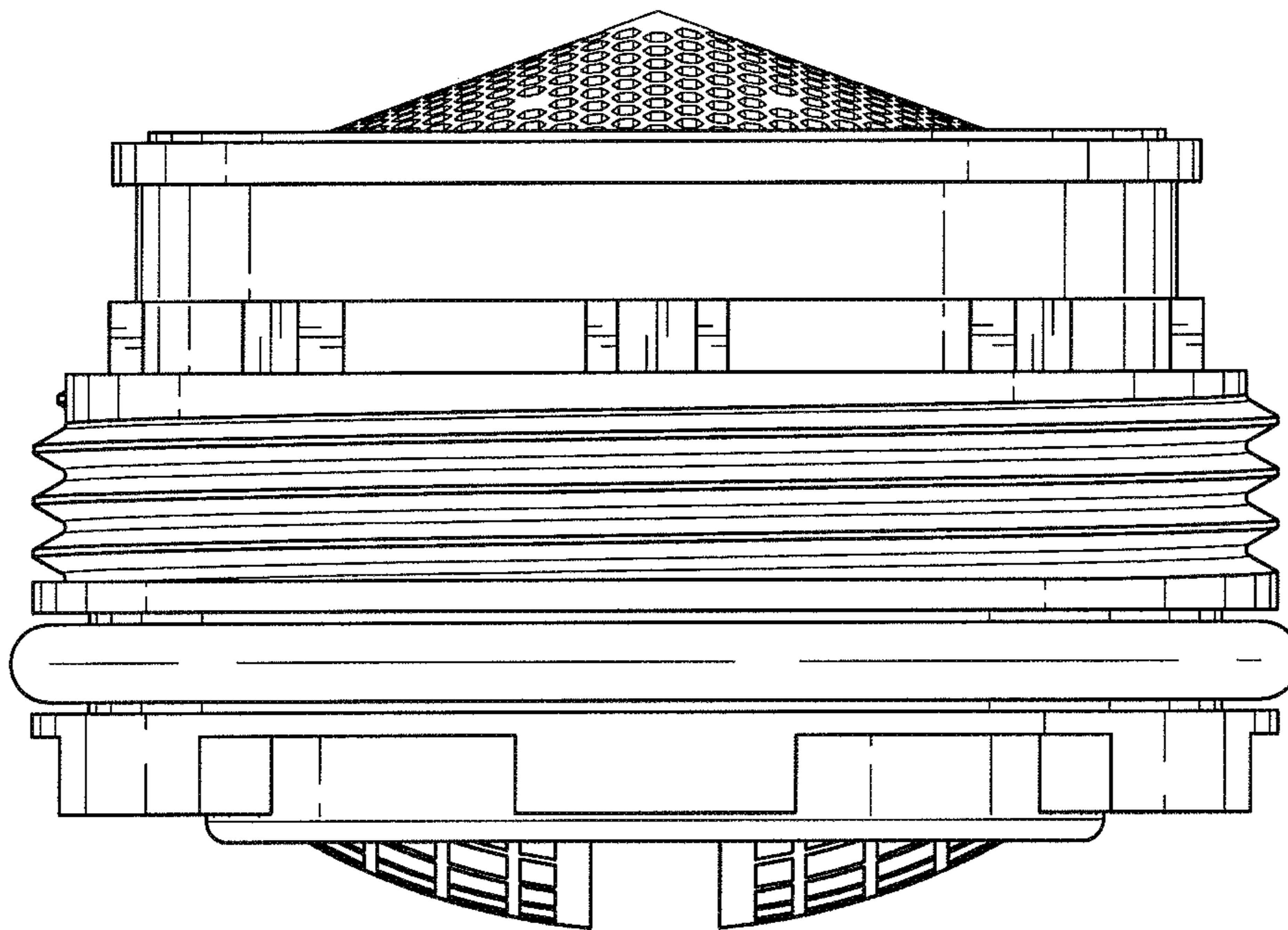


Fig. 15