

US00D699809S

(12) **United States Design Patent**
Rocha

(10) **Patent No.:** **US D699,809 S**
(45) **Date of Patent:** **** Feb. 18, 2014**

- (54) **INSECT TRAP DAMPER FLAPS**
- (71) Applicant: **Dynamic Solutions Worldwide, LLC,**
Milwaukee, WI (US)
- (72) Inventor: **Juan J. Rocha,** Lake Forest, IL (US)
- (73) Assignee: **Dynamic Solutions Worldwide, LLC,**
Milwaukee, WI (US)
- (**) Term: **14 Years**
- (21) Appl. No.: **29/439,739**
- (22) Filed: **Dec. 14, 2012**
- (51) **LOC (10) Cl.** **22-06**
- (52) **U.S. Cl.**
USPC **D22/122**
- (58) **Field of Classification Search**
USPC D22/119–124; 43/112–114, 120–121,
43/124, 131, 132.1
See application file for complete search history.

- D491,247 S * 6/2004 Chuang et al. D22/122
- D492,381 S * 6/2004 Chuang et al. D22/122
- 6,871,445 B2 3/2005 Bertani
- D514,656 S * 2/2006 Jean D22/122
- 7,036,269 B1 5/2006 Chen et al.
- D536,413 S * 2/2007 Duston D22/122
- D657,436 S * 4/2012 Tsai D22/122
- 8,240,082 B1 8/2012 Fall

* cited by examiner

Primary Examiner — Catheri Oliver-Garcia

(74) *Attorney, Agent, or Firm* — Boyle Fredrickson, S.C.

(57) **CLAIM**

The ornamental design for insect trap damper flaps, substantially as shown and described.

DESCRIPTION

FIG. 1 is a front elevation view of insect trap damper flaps according to the present invention and shown in the exemplary environment of an insect trap;

FIG. 2 is a side elevation view that is normal to the view of the damper flaps as shown in FIG. 1;

FIG. 3 is a bottom plan view of the damper flaps shown in FIGS. 1 & 2;

FIG. 4 is a top plan view of the damper flaps shown in FIGS. 1 & 2; and,

FIG. 5 is a bottom perspective view of the damper flaps shown in FIGS. 1 & 2 associated with environmental structure of an insect trap.

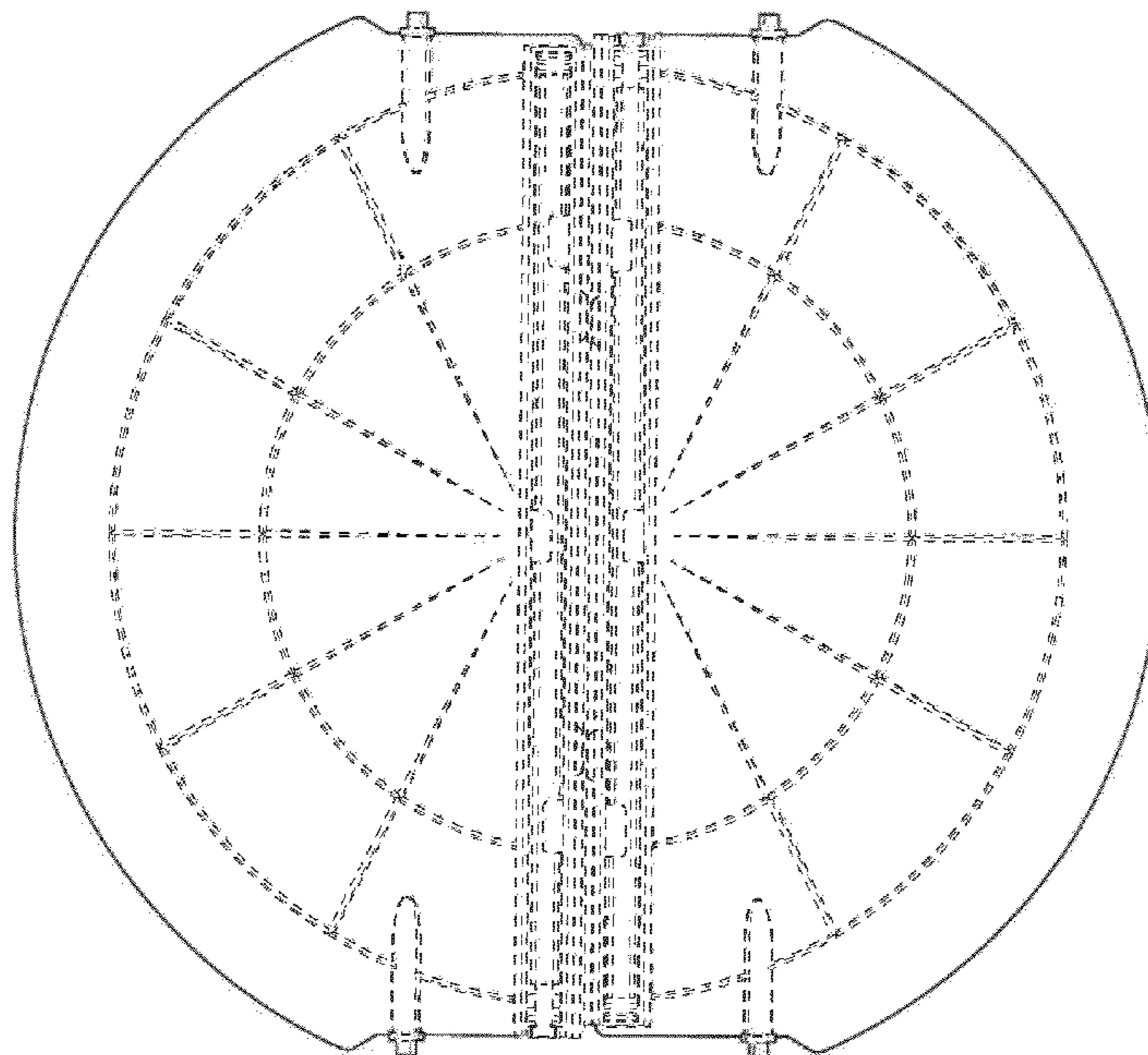
The broken lines are for illustrative purposes and represent environmental structure and unclaimed portions of the invention and therefore form no part of the claimed design.

(56) **References Cited**

U.S. PATENT DOCUMENTS

- 1,807,550 A 5/1931 Rector
- 2,236,698 A 5/1940 Rector
- 2,893,161 A 7/1959 Reid
- 4,282,673 A 8/1981 Focks et al.
- 4,794,725 A 1/1989 Numerick
- 5,157,865 A 10/1992 Chang
- 5,255,468 A 10/1993 Cheshire, Jr.
- 6,199,315 B1 3/2001 Suzue et al.
- D484,562 S * 12/2003 Casteel et al. D22/122

1 Claim, 5 Drawing Sheets



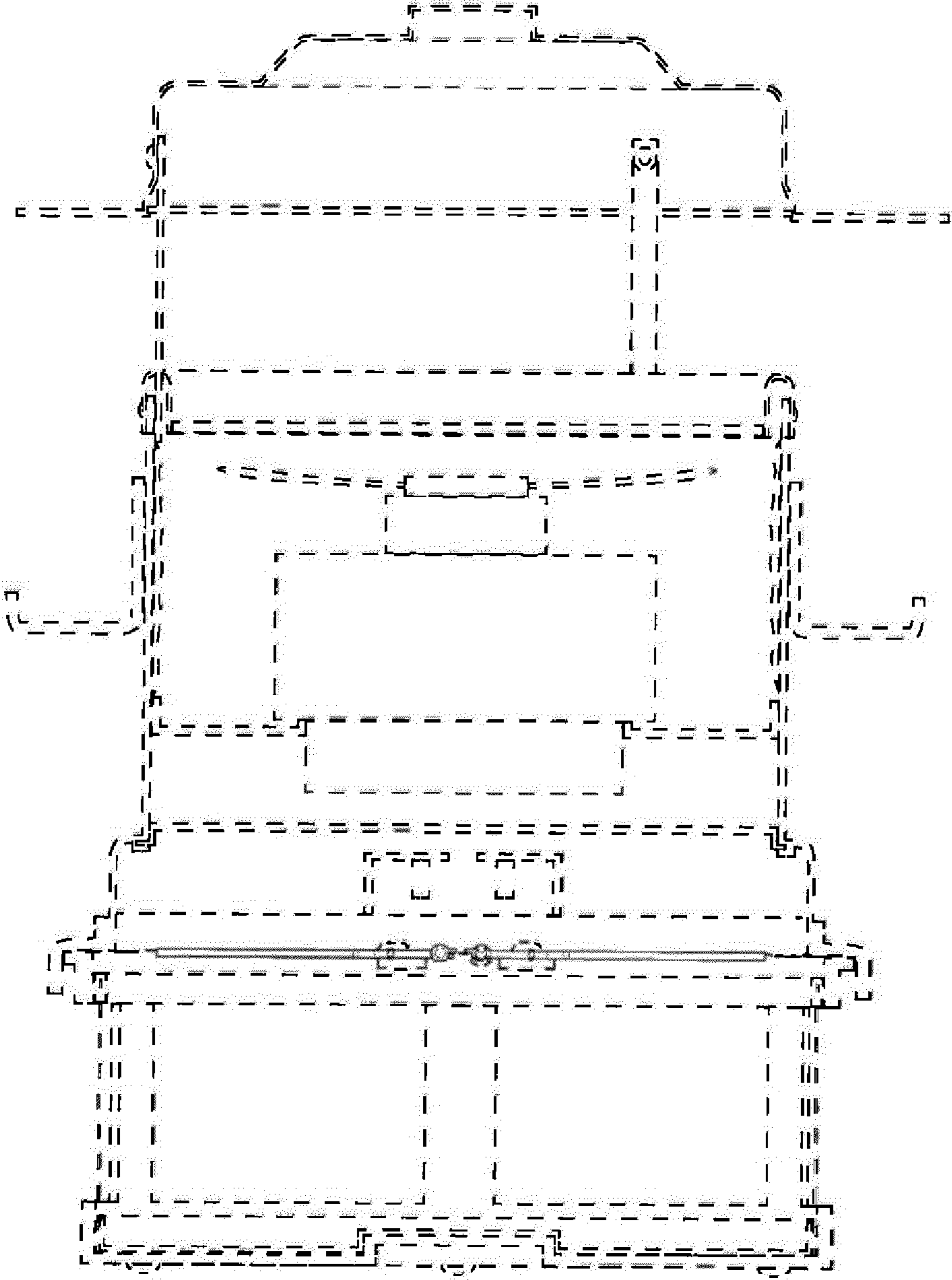


FIG. 1

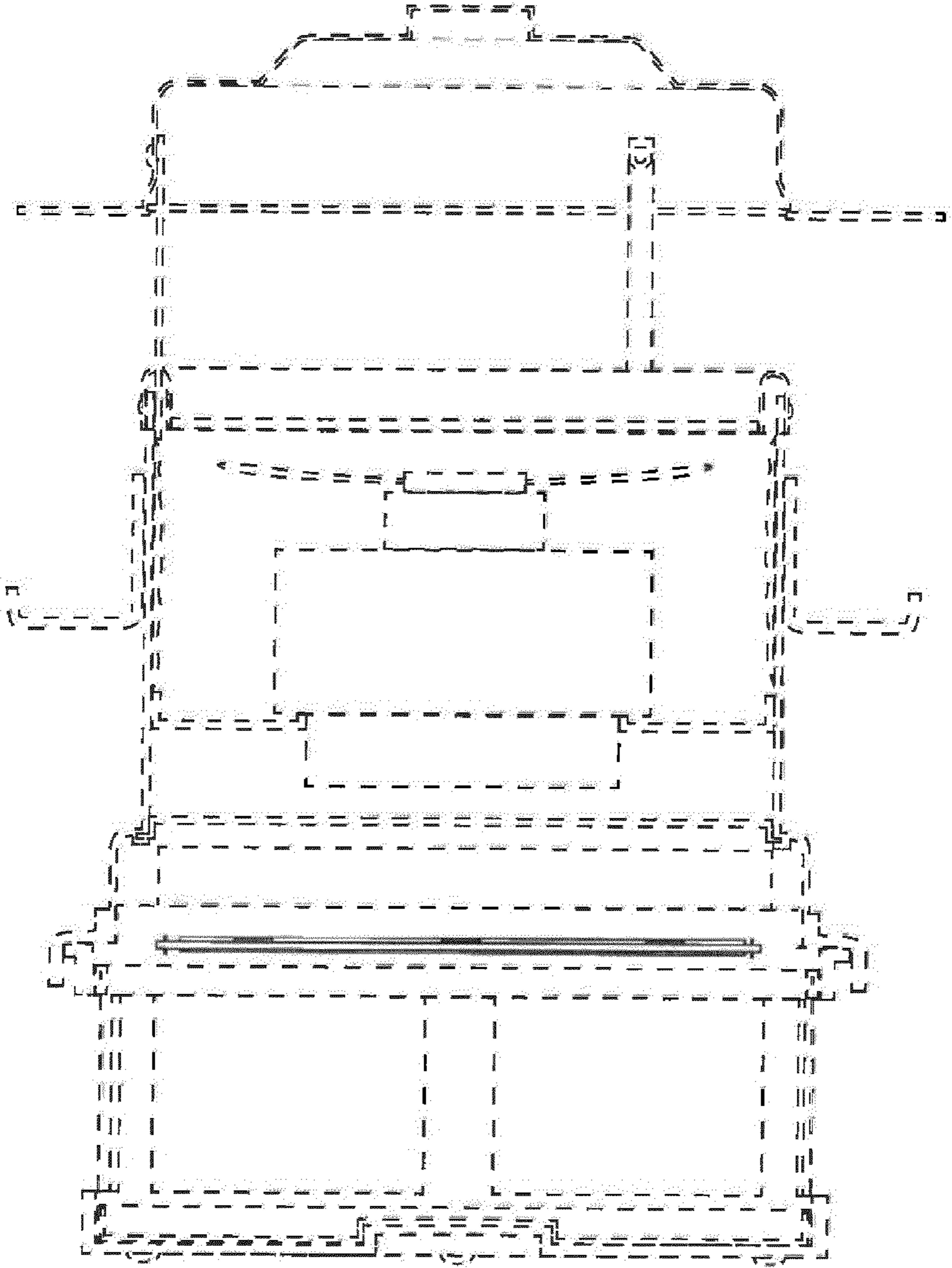


FIG. 2

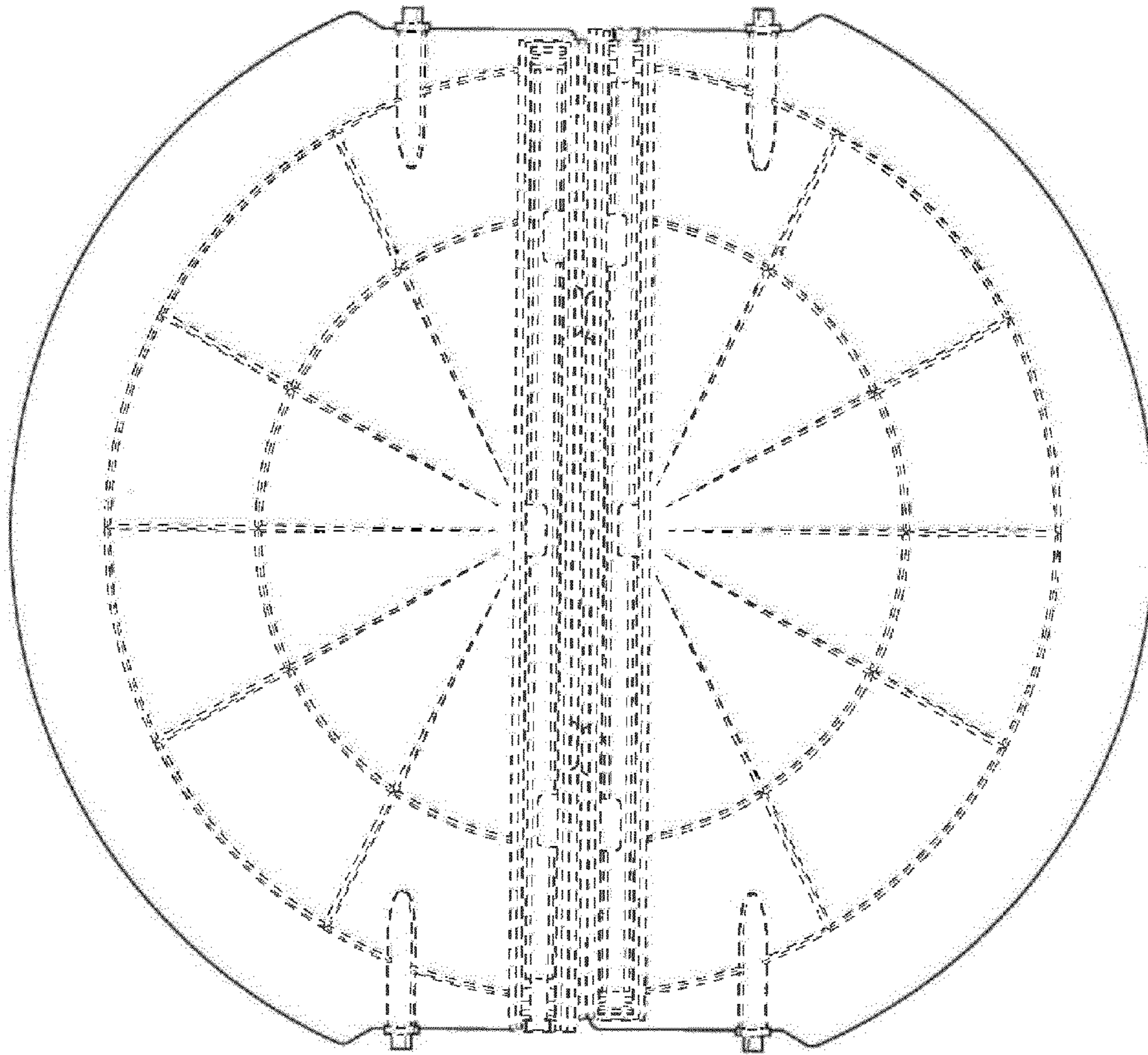


FIG. 3

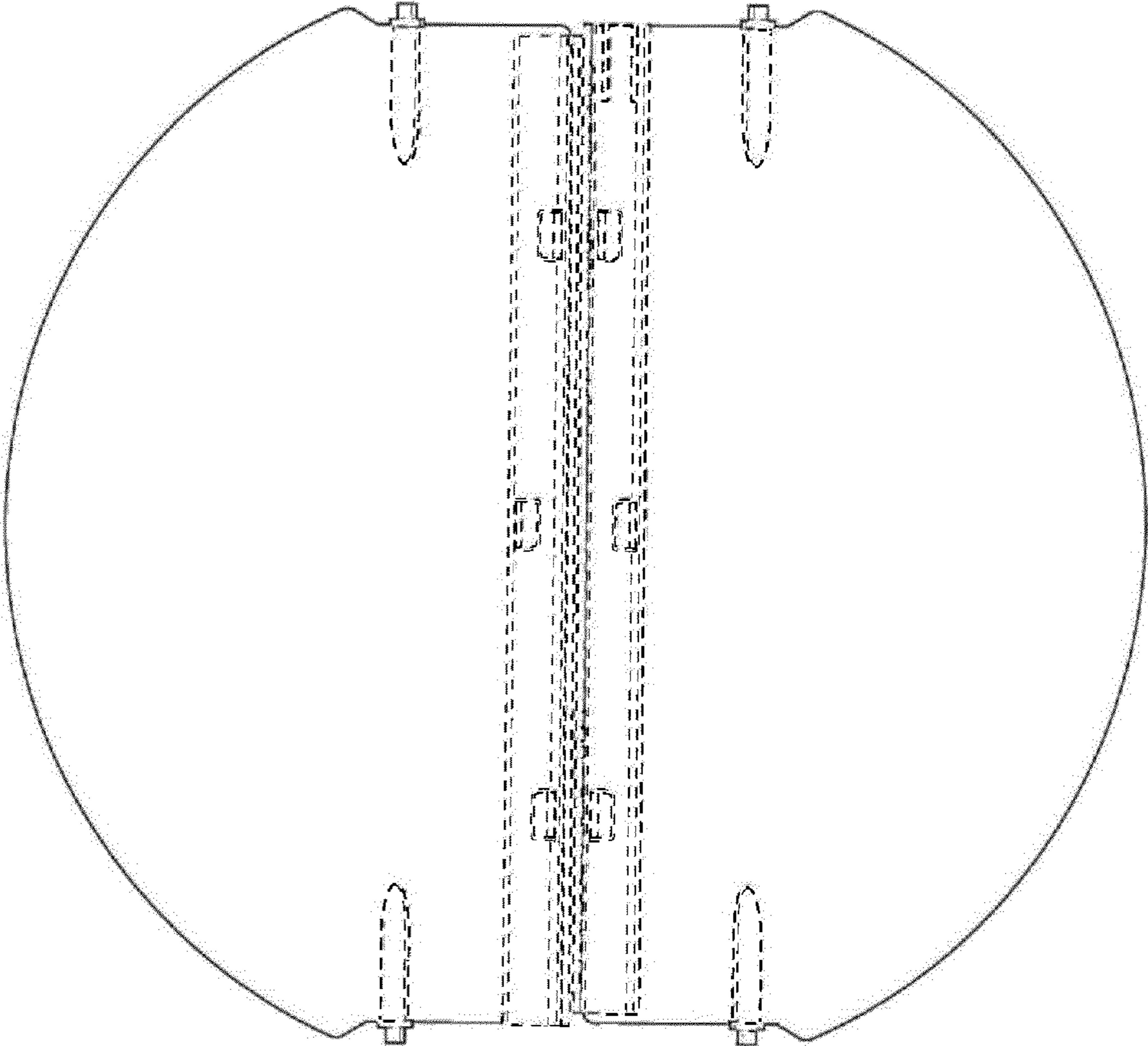


FIG. 4

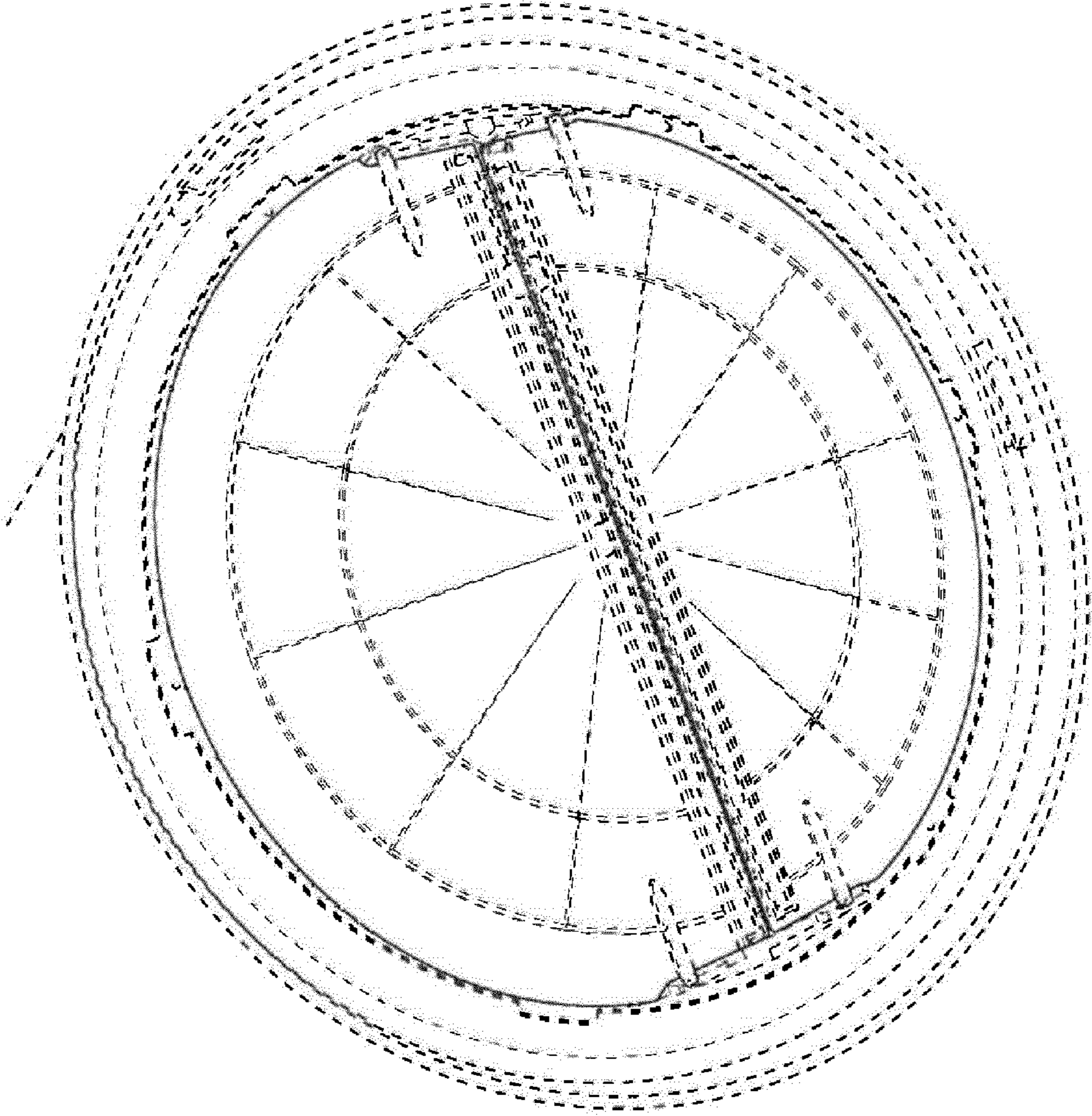


FIG. 5