



US00D699807S

(12) **United States Design Patent**
Lee

(10) **Patent No.:** **US D699,807 S**
(45) **Date of Patent:** **** Feb. 18, 2014**

(54) **RIFLE**

(56) **References Cited**

(76) Inventor: **Chi Keung Lee, Tsuen Wan (HK)**

U.S. PATENT DOCUMENTS

(**) Term: **14 Years**

4,856,410 A *	8/1989	Anderson	89/161
D611,111 S *	3/2010	Hajjar et al.	D22/103
2011/0283582 A1 *	11/2011	Hunter et al.	42/69.02
2013/0125440 A1 *	5/2013	Zheng	42/14
2013/0185975 A1 *	7/2013	Johnson	42/69.02

(21) Appl. No.: **29/432,182**

* cited by examiner

(22) Filed: **Sep. 14, 2012**

(30) **Foreign Application Priority Data**

Primary Examiner — Michael A Pratt
(74) *Attorney, Agent, or Firm* — Mark M. Friedman

Mar. 14, 2012 (EM) 002008623-0001

(57) **CLAIM**
The ornamental design for a rifle, as shown and described.

(51) **LOC (10) Cl.** **22-01**

DESCRIPTION

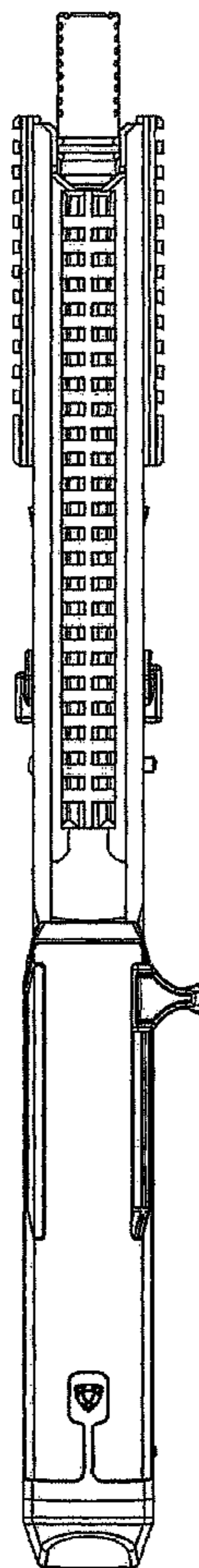
(52) **U.S. Cl.**
USPC **D22/108**

(58) **Field of Classification Search**
USPC D22/103; 42/1.01–1.07, 2, 10–26, 34,
42/36, 37, DIG. 1; 89/40.06, 41.19, 37.04,
89/33.04, 191.01, 200–204;
D21/572–575; 124/67, 66, 72, 74

FIG. 1 is a top view of a rifle showing my design;
FIG. 2 is a bottom view thereof;
FIG. 3 is a side view thereof;
FIG. 4 is a front view thereof;
FIG. 5 is a back view thereof;
FIG. 6 is a side view thereof;
FIG. 7 is a perspective view thereof; and,
FIG. 8 is a perspective view thereof.

See application file for complete search history.

1 Claim, 8 Drawing Sheets



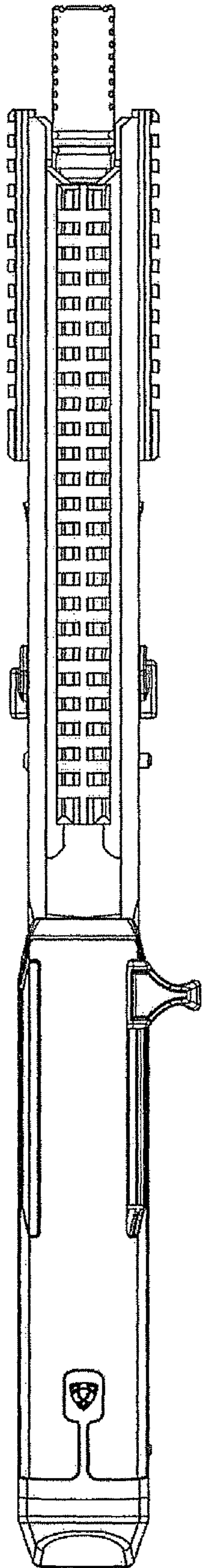


FIG. 1

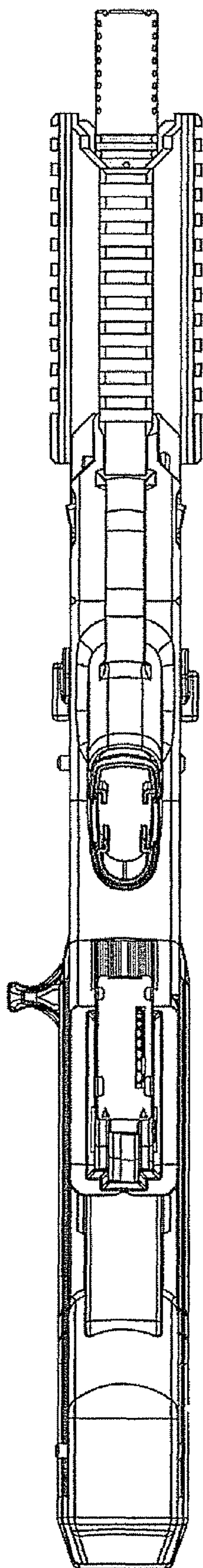


FIG. 2

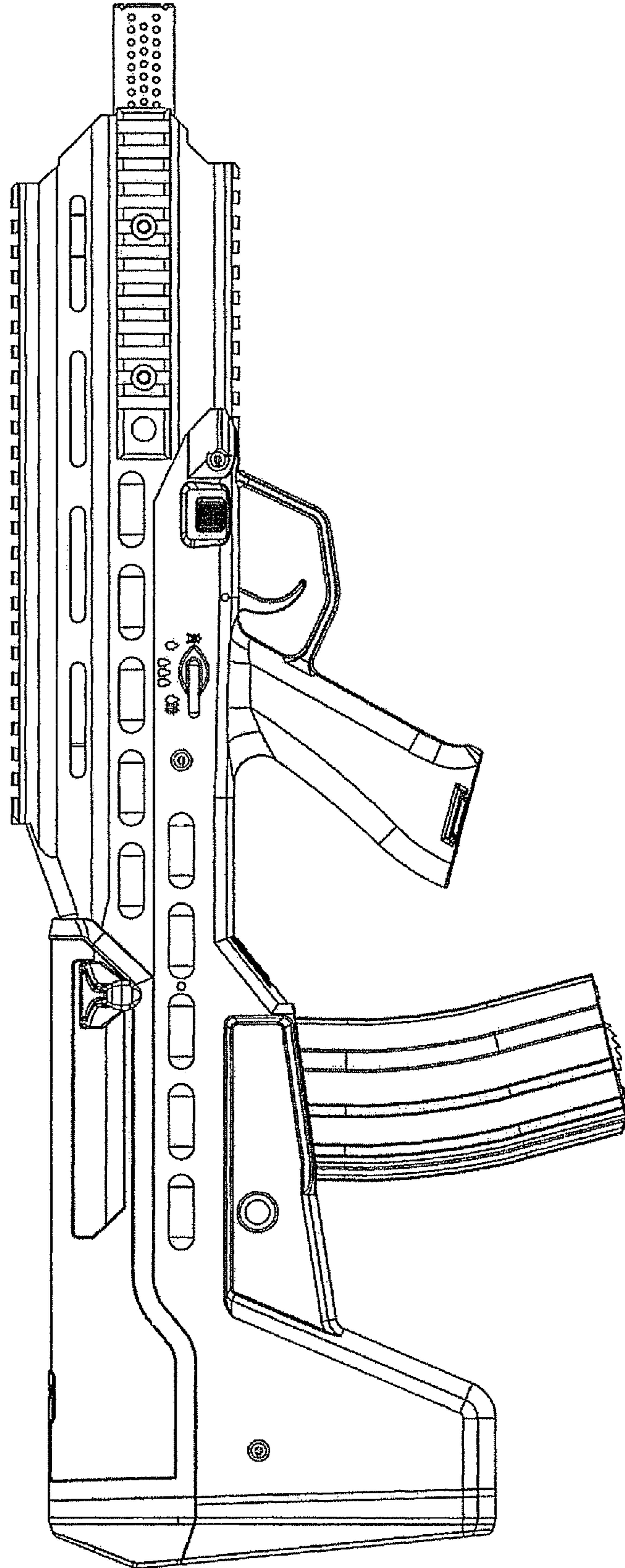


FIG. 3

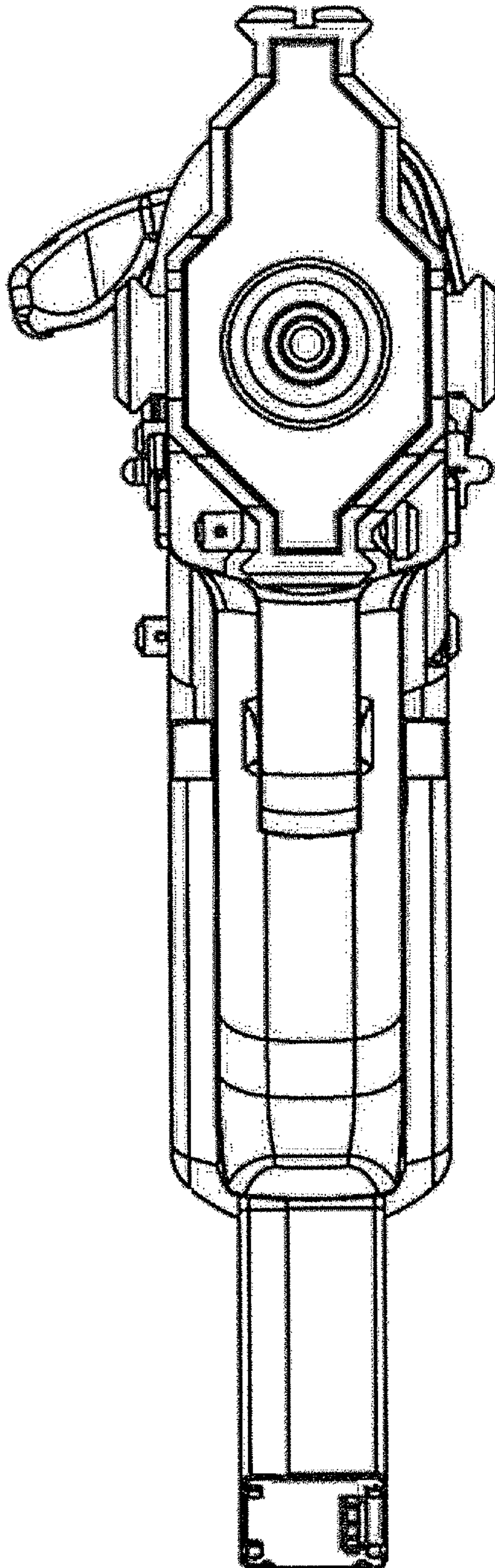


FIG. 4

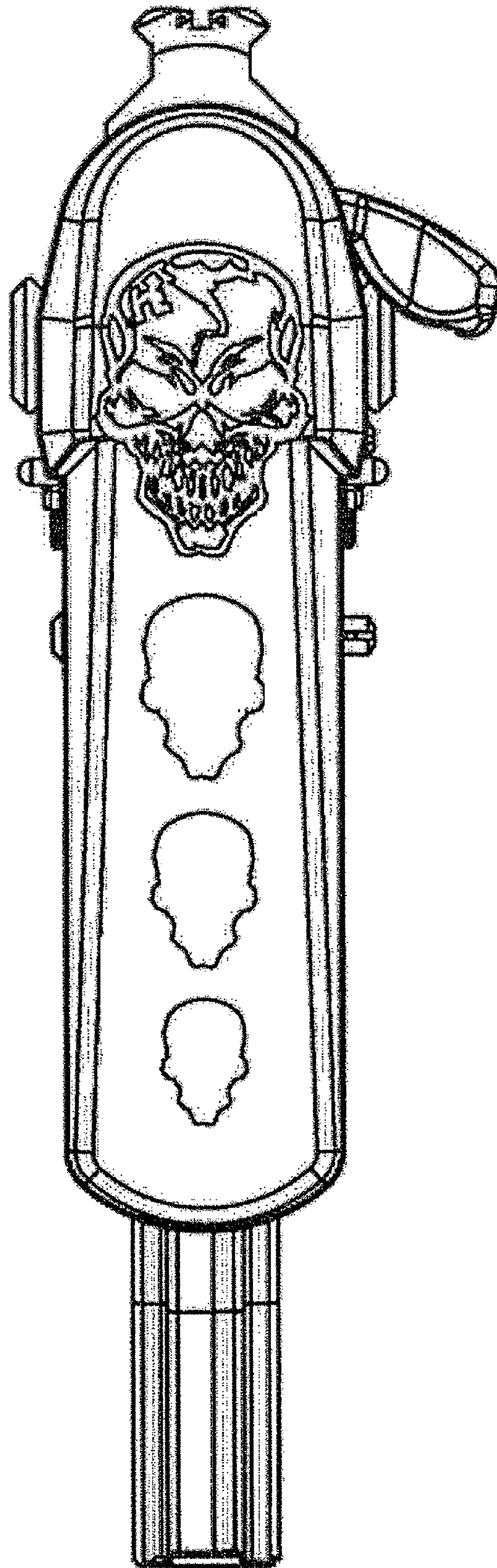


FIG. 5

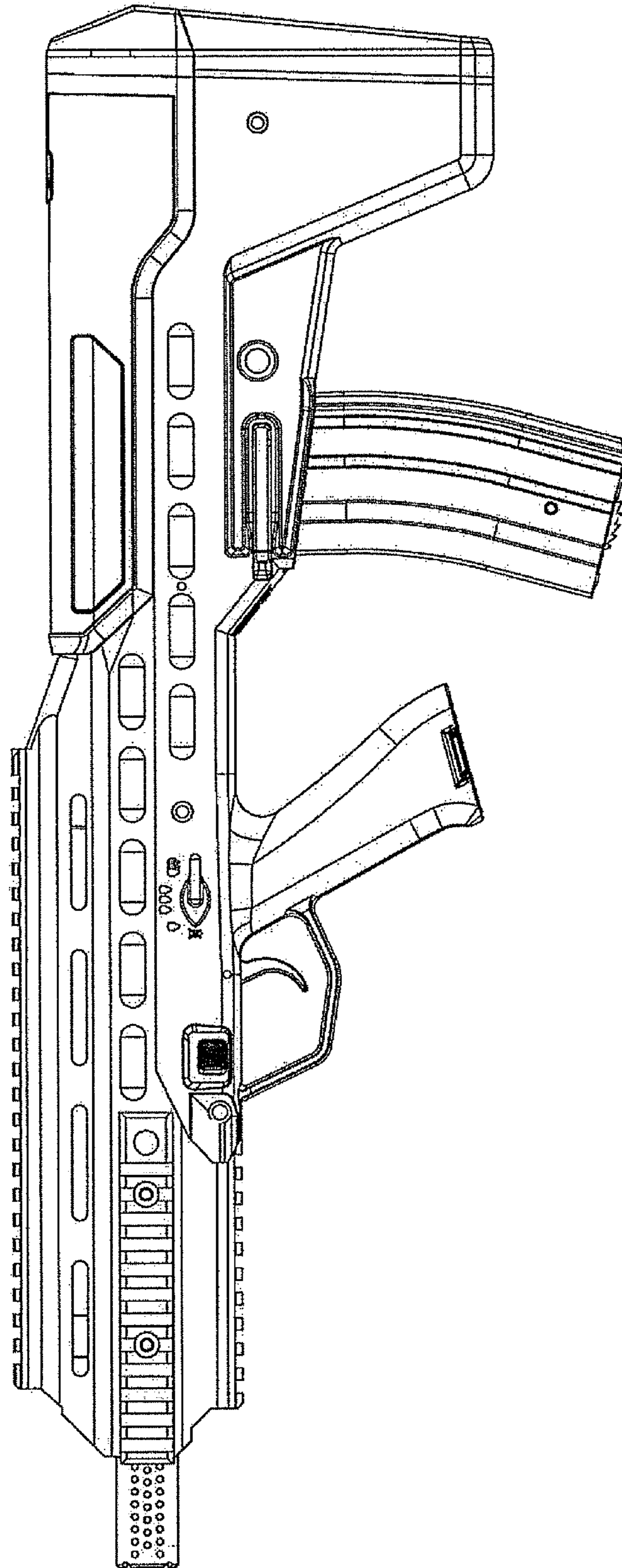


FIG. 6

FIG. 7

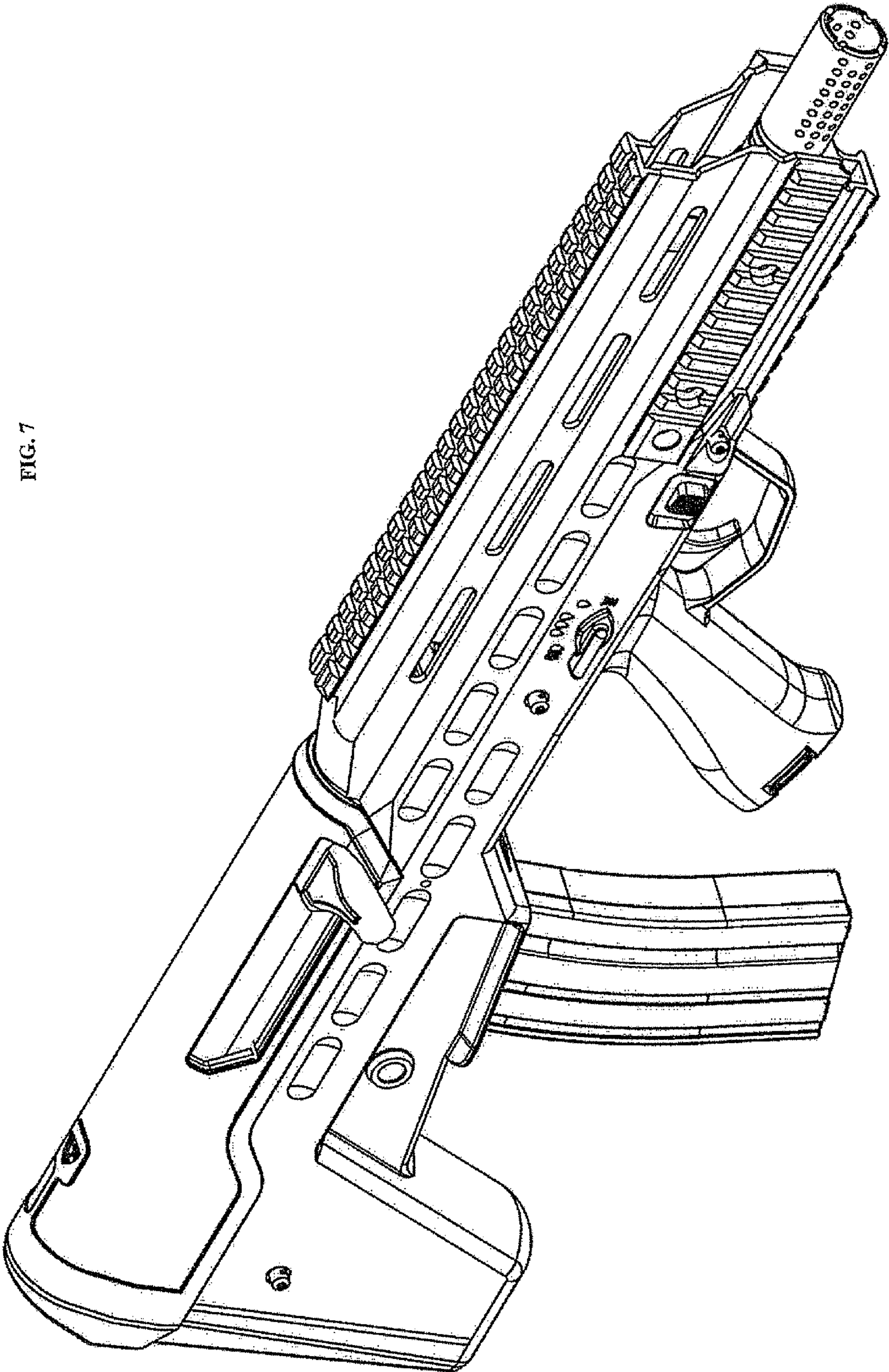


FIG. 8

