



US00D699806S

(12) **United States Design Patent**
Farnlacher et al.

(10) **Patent No.:** **US D699,806 S**
(45) **Date of Patent:** **** Feb. 18, 2014**

(54) **TRIGGER GUARD ASSEMBLY**

(75) Inventors: **John Farnlacher**, Elyria, OH (US);
Dotson Burton, North Ridgeville, OH
(US); **Michael Goerlich**, Lakewood, OH
(US)

(73) Assignee: **Raven Concealment Systems LLC**,
North Ridgeville, OH (US)

(**) Term: **14 Years**

(21) Appl. No.: **29/411,049**

(22) Filed: **Jan. 16, 2012**

(51) **LOC (10) Cl.** **22-01**

(52) **U.S. Cl.**
USPC **D22/108**

(58) **Field of Classification Search**
USPC D22/108; 42/44, 66, 70.02, 70.06,
42/70.07, 70.11, 150; 70/58, 63, 202, 211,
70/312

See application file for complete search history.

(56) **References Cited**

U.S. PATENT DOCUMENTS

2,590,516	A *	3/1952	DE Von Breymann	42/70.06
4,198,026	A *	4/1980	Capolupo	248/552
5,033,218	A *	7/1991	Nelson	42/70.07
5,713,149	A *	2/1998	Cady et al.	42/70.06
5,724,760	A *	3/1998	Langner	42/70.07
6,055,759	A *	5/2000	Langner	42/70.07
6,142,313	A *	11/2000	Young	211/4
6,474,238	B1 *	11/2002	Weinraub	42/70.07
6,601,332	B1 *	8/2003	Riebling	42/70.11
7,028,426	B1 *	4/2006	Viani	42/70.07
7,367,150	B2 *	5/2008	Farchione et al.	42/70.07
2002/0162265	A1 *	11/2002	Abad	42/70.11
2010/0083550	A1 *	4/2010	Ogershok	42/70.06
2010/0095833	A1 *	4/2010	Gavage et al.	89/140
2012/0005935	A1 *	1/2012	Chandler et al.	42/70.11

* cited by examiner

Primary Examiner — Michael A Pratt

(74) *Attorney, Agent, or Firm* — Pearne & Gordon LLP

(57) **CLAIM**

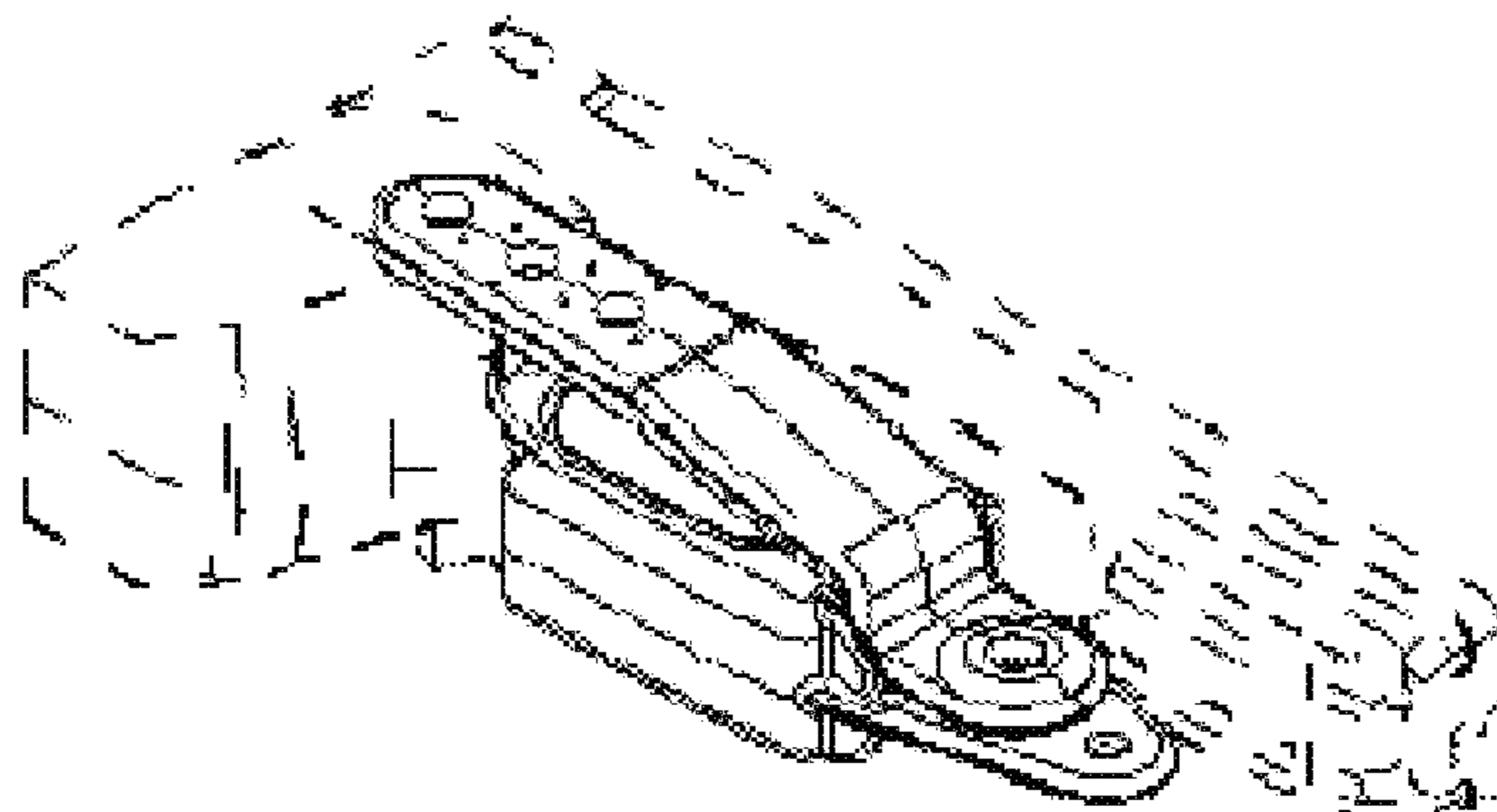
The ornamental design for a trigger guard assembly, as shown and described.

DESCRIPTION

FIG. 1 is a perspective view of our new design installed on a handgun for a right-handed shooter;
 FIG. 2 is a perspective view of our new design installed on a handgun for a left-handed shooter;
 FIG. 3 is a front view of a guard portion of our new design, with an arm portion removed;
 FIG. 4 is a back view of the guard portion;
 FIG. 5 is a top view of the guard portion;
 FIG. 6 is a bottom view of the guard portion;
 FIG. 7 is a right side view of the guard portion;
 FIG. 8 is a left side view of the guard portion;
 FIG. 9 is a front, cross-sectional view of the guard portion taken along sectional line 9-9 in FIG. 5;
 FIG. 10 is a back, cross-sectional view thereof taken along sectional line 10-10 in FIG. 6;
 FIG. 11 is a perspective view of an arm portion shown in FIG. 1 separated from the guard portion;
 FIG. 12 is a perspective view of an arm portion shown in FIG. 2 separated from the guard portion;
 FIG. 13 is left side view of the arm portion;
 FIG. 14 is a right side view of the arm portion;
 FIG. 15 is a front view of the arm portion;
 FIG. 16 is a back view of the arm portion;
 FIG. 17 is a top view of the arm portion; and,
 FIG. 18 is a bottom view of the arm portion.

Any broken lines shown in FIGS. 1-18 are for illustrative purposes only and, along with the handgun, form no part of the claimed design. Any contour lines are provided merely to illustrate contours of the material. Any cross hatching is used simply to indicate locations from where portions of material have been cut away to show cross-sectional views. Such cross hatching does not indicate any specific material type, and forms no part of the claimed design.

1 Claim, 7 Drawing Sheets



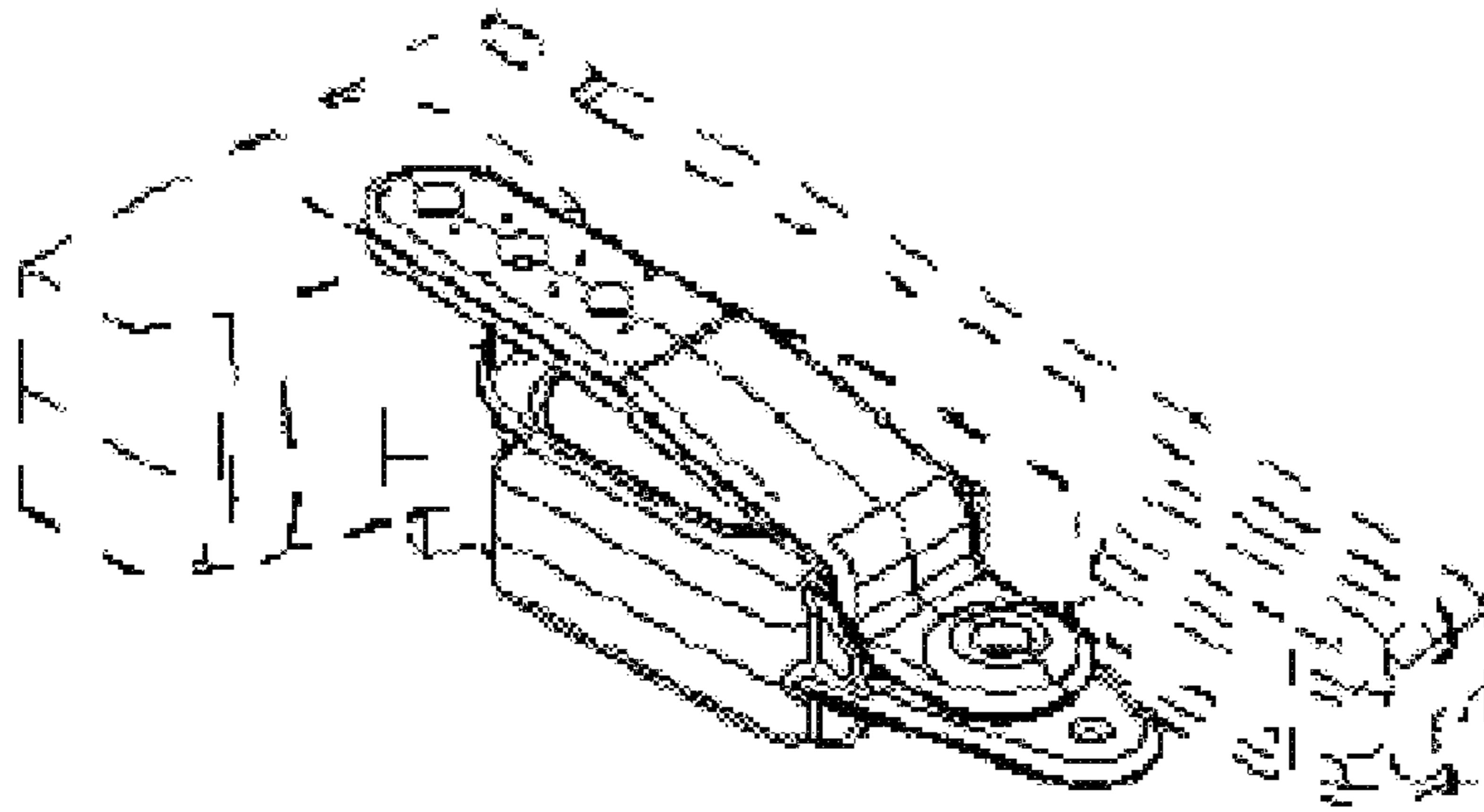


Fig. 1

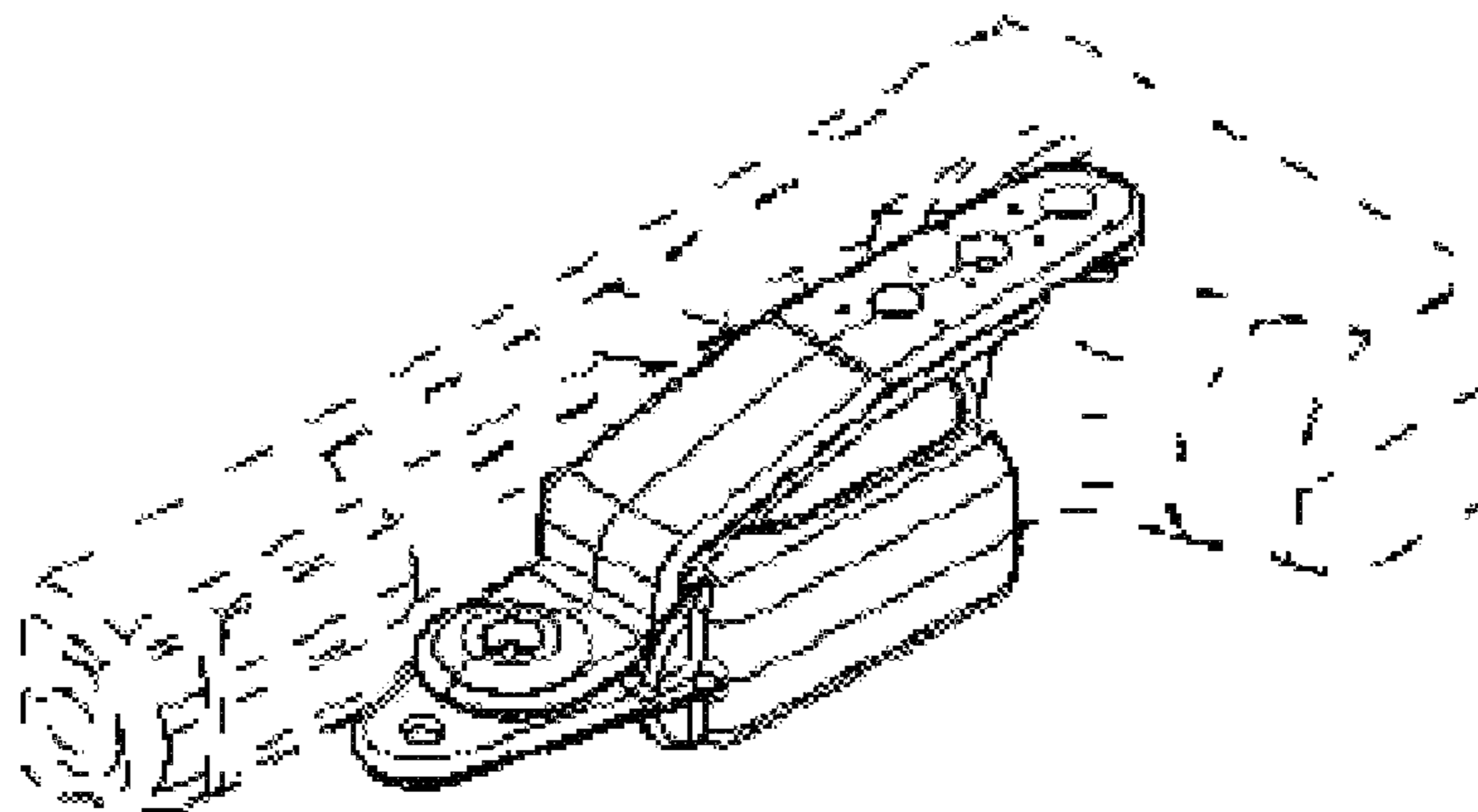


Fig. 2

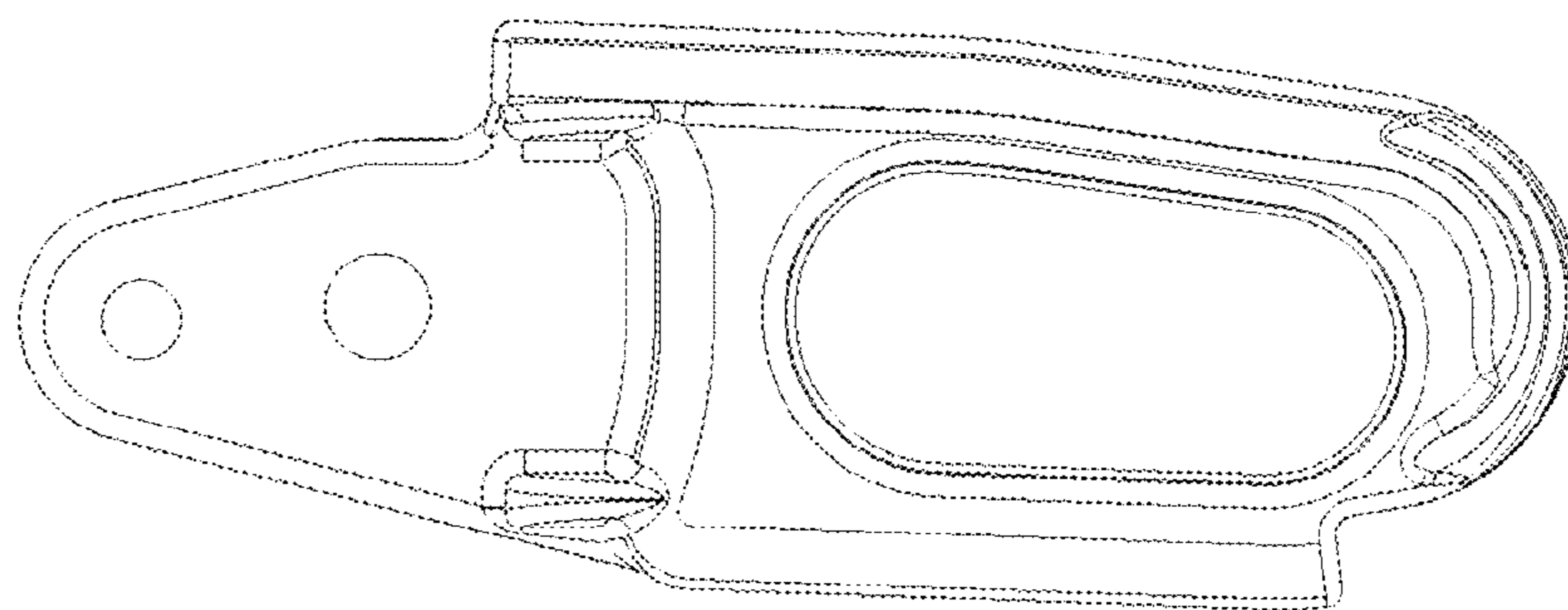


Fig. 3

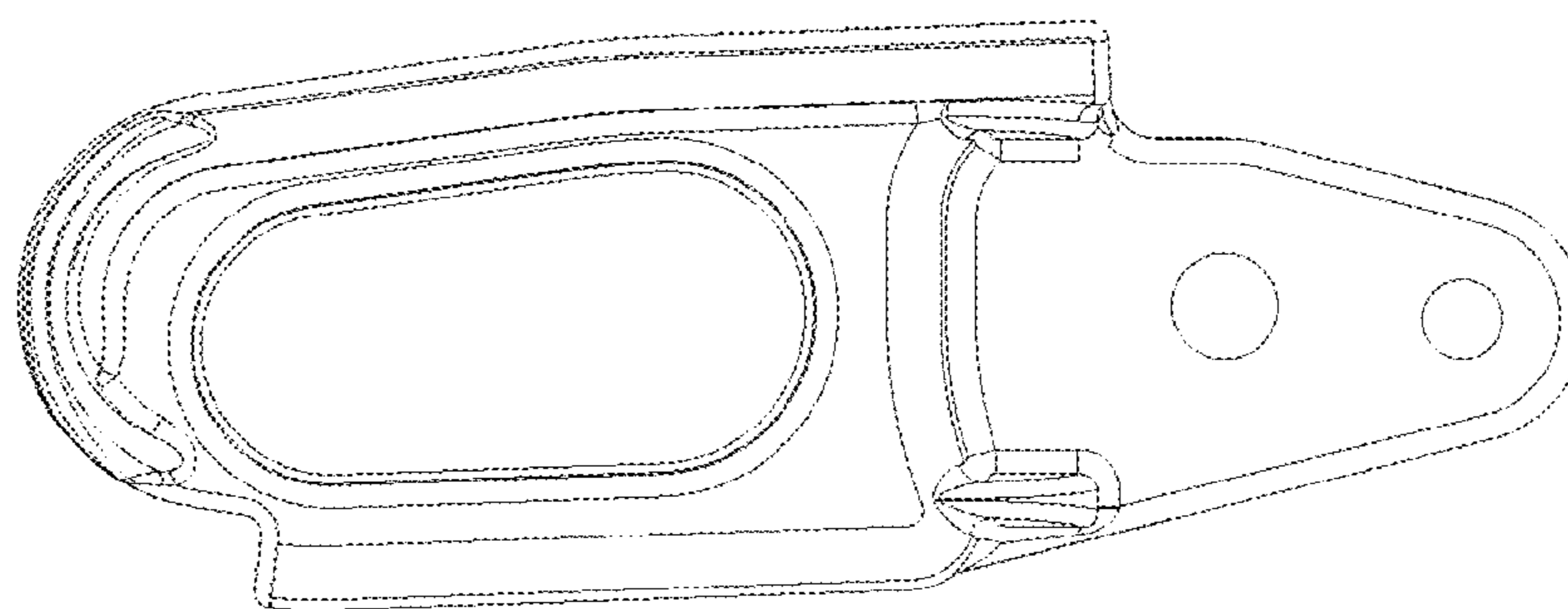


Fig. 4

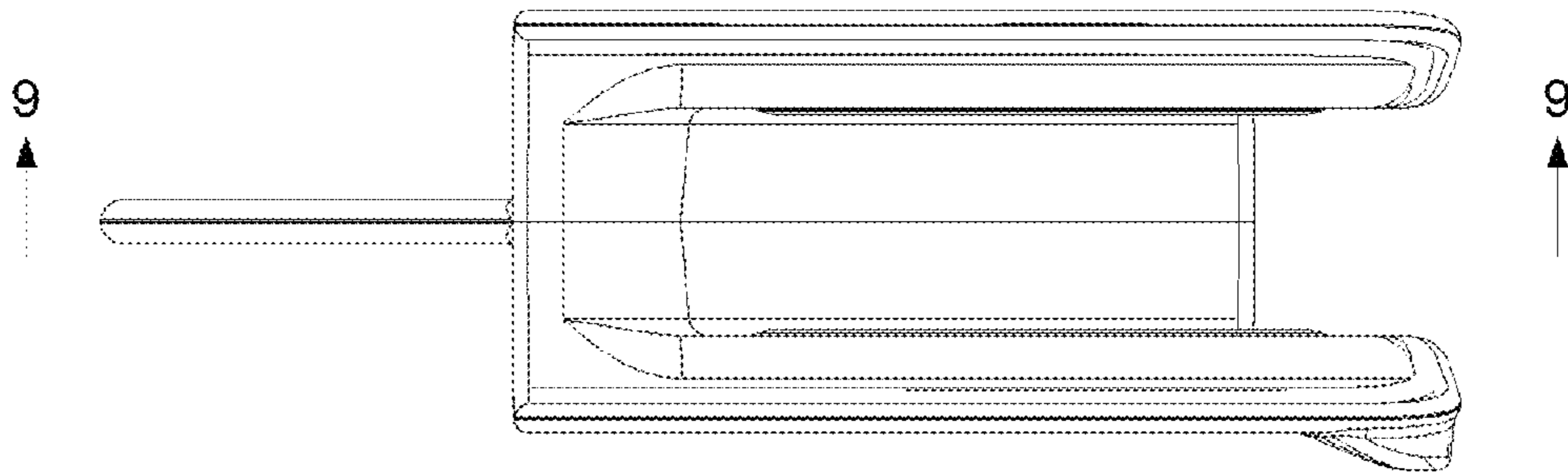


Fig. 5

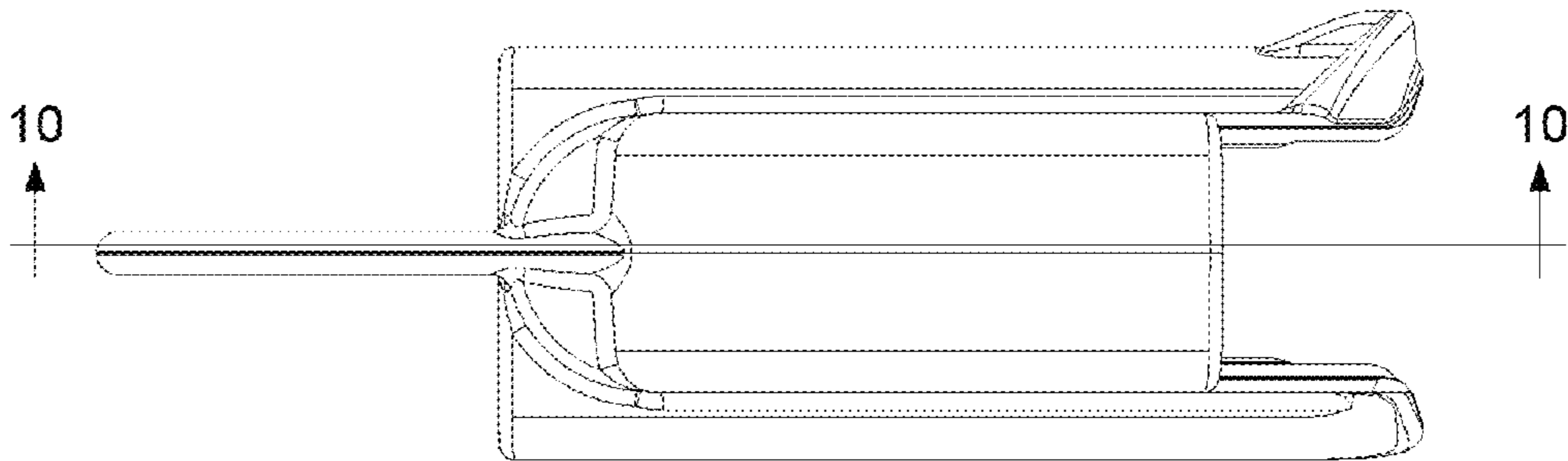


Fig. 6

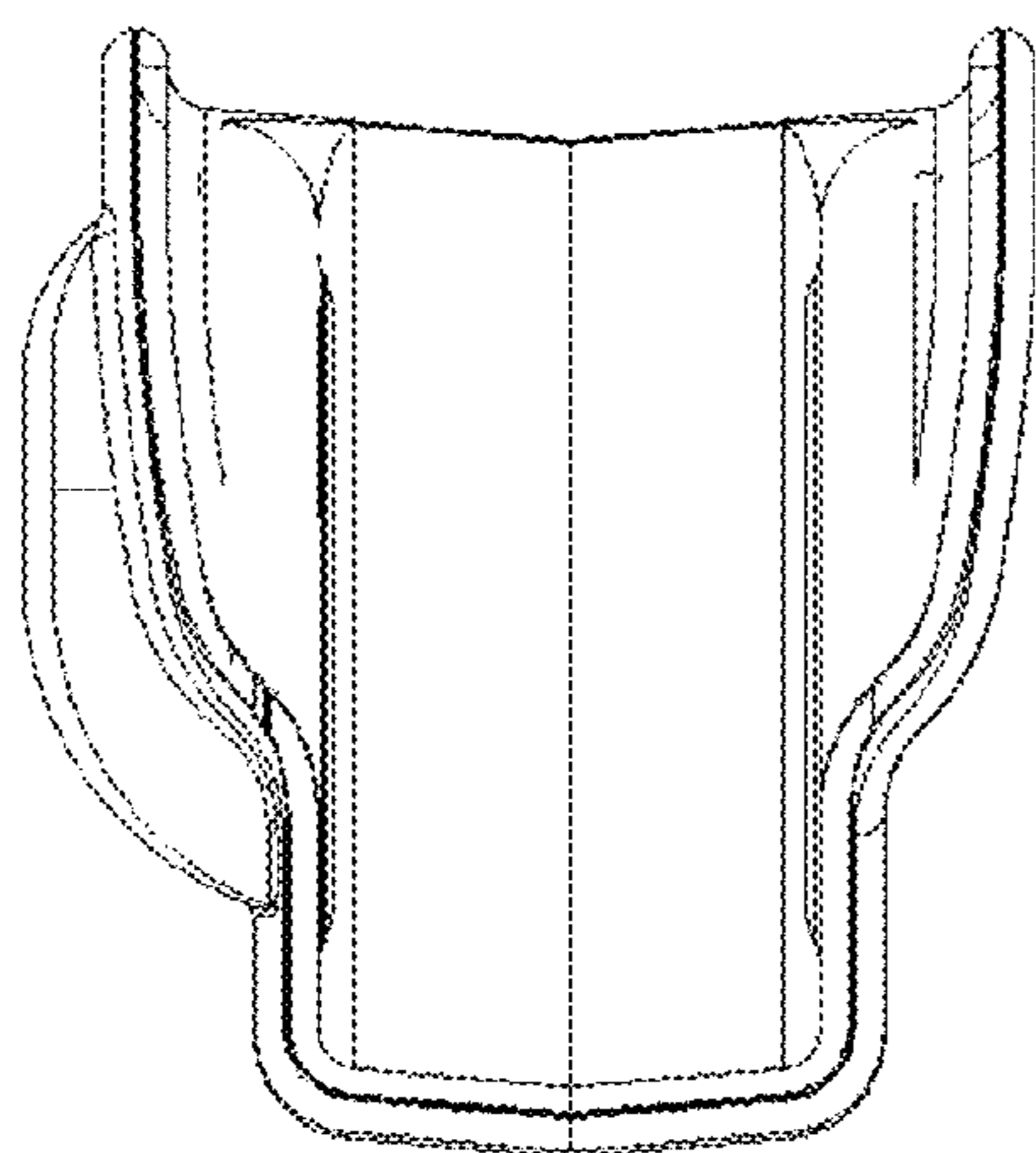


Fig. 7

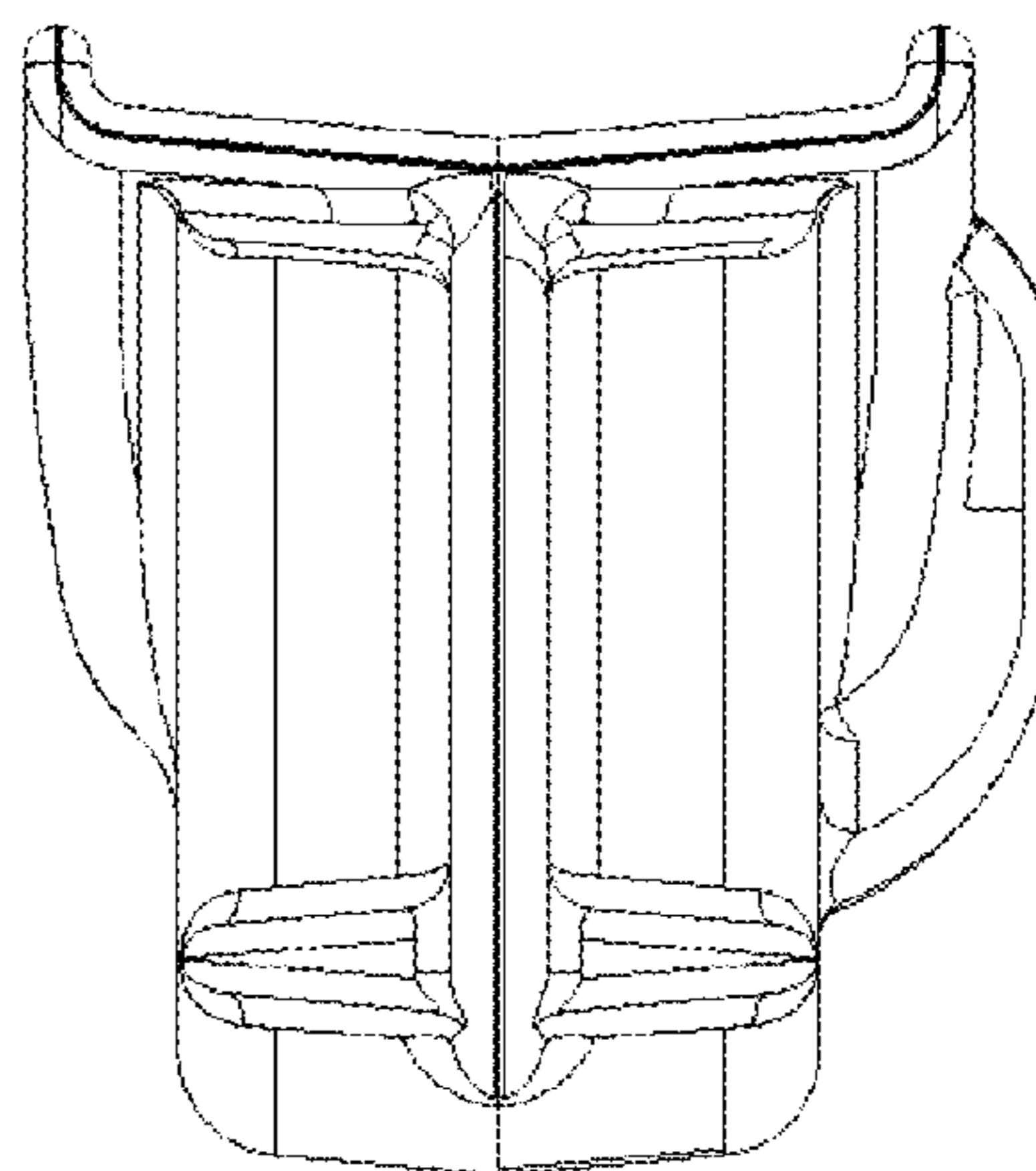


Fig. 8

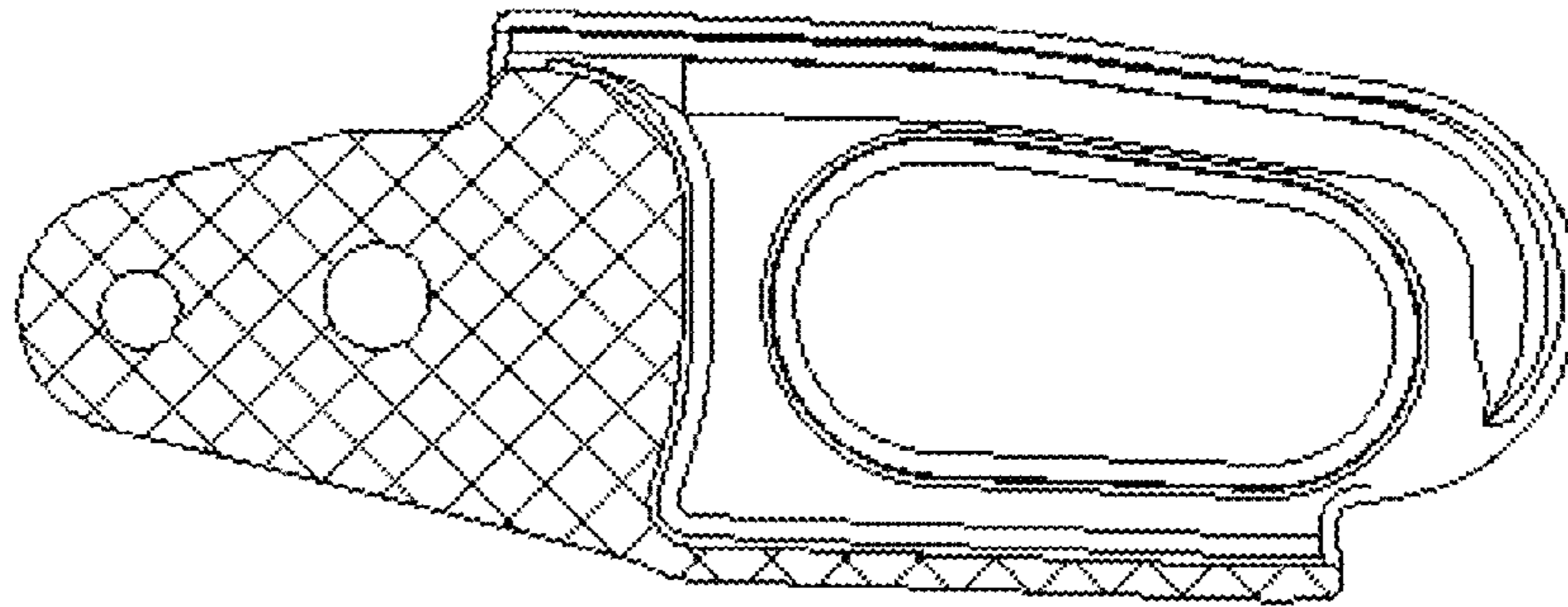


Fig. 9

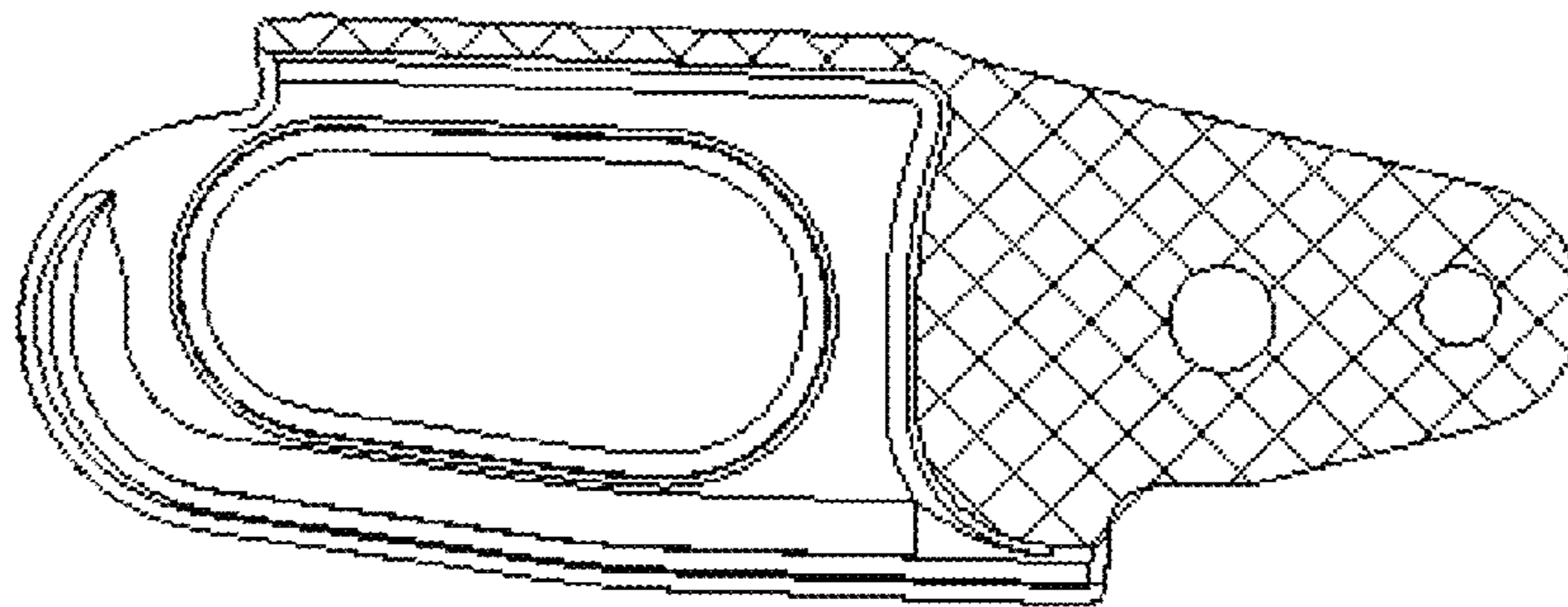


Fig. 10

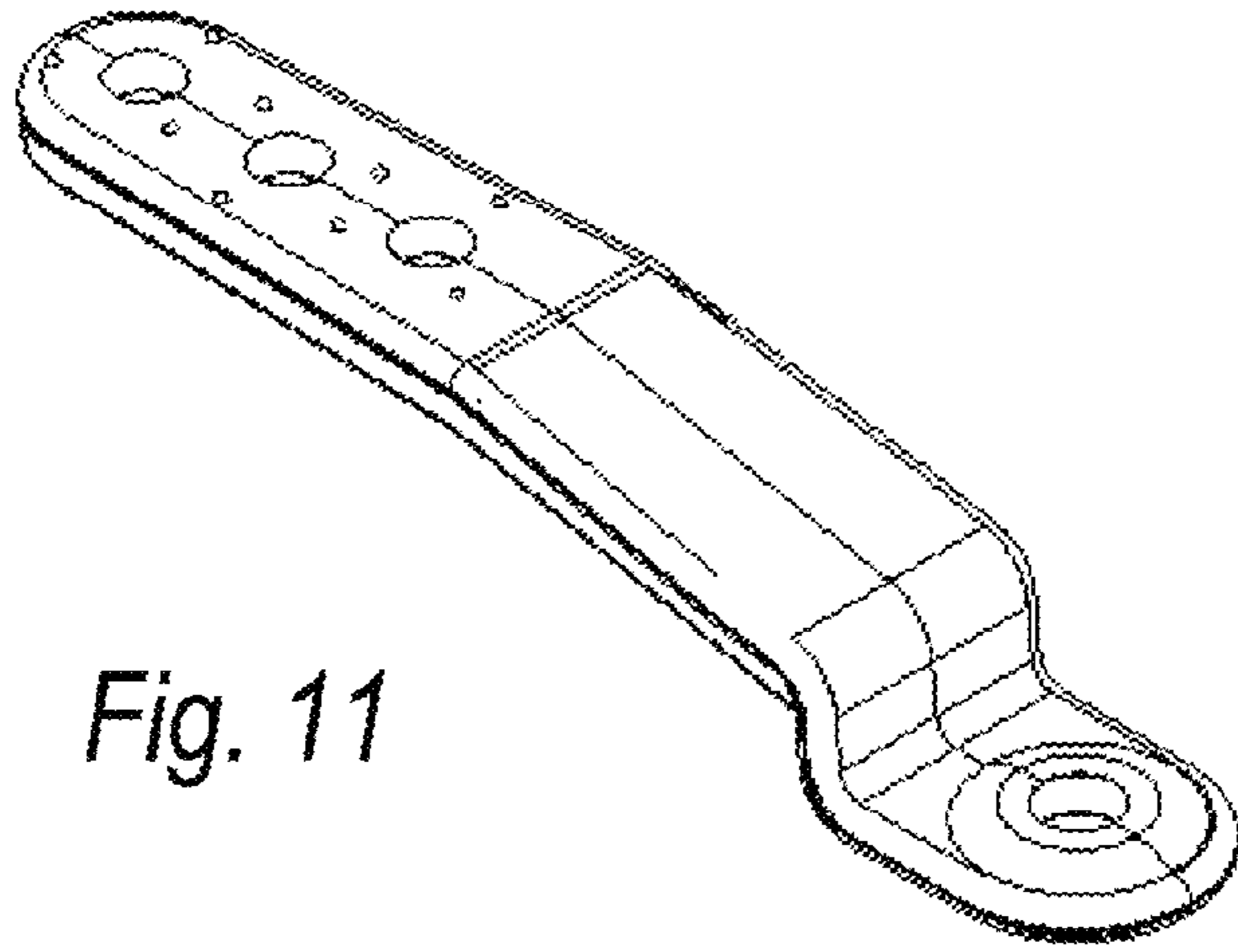


Fig. 11

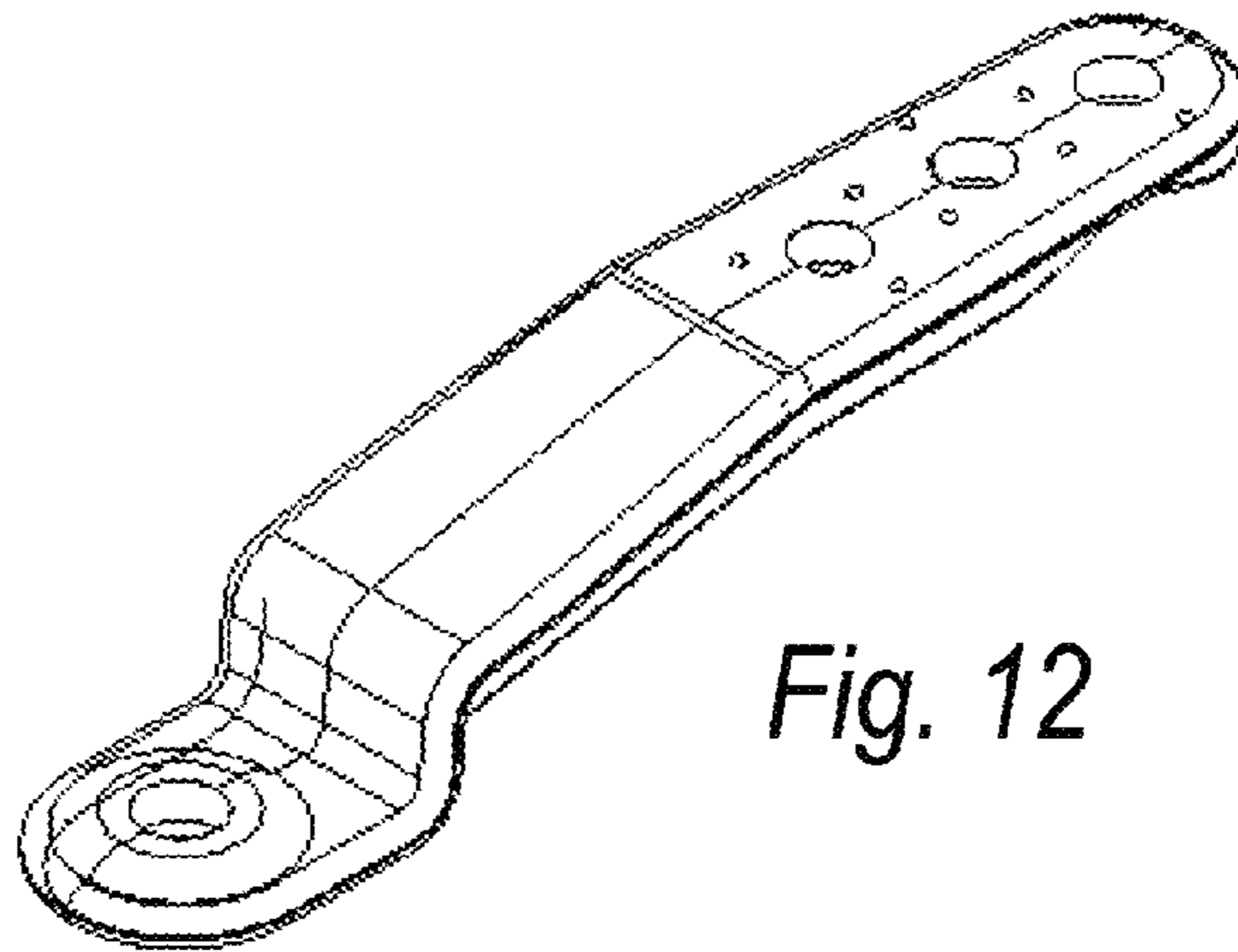


Fig. 12

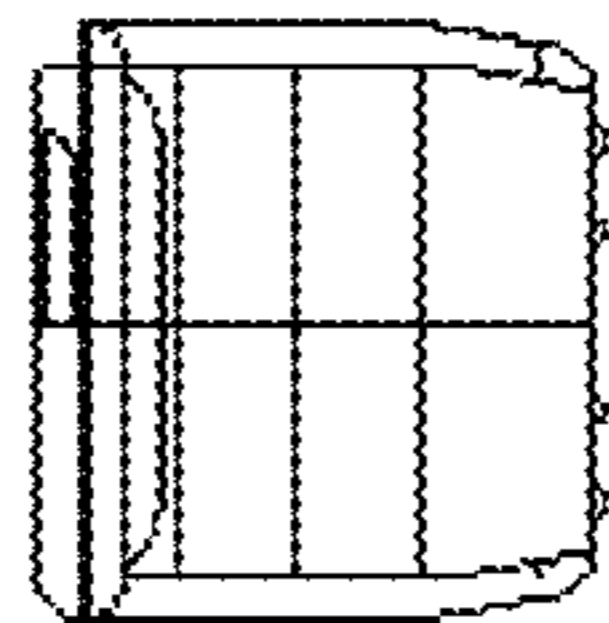


Fig. 13

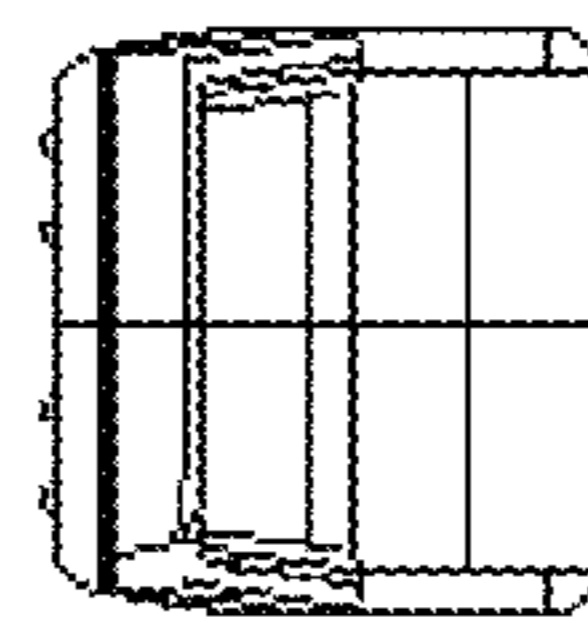


Fig. 14

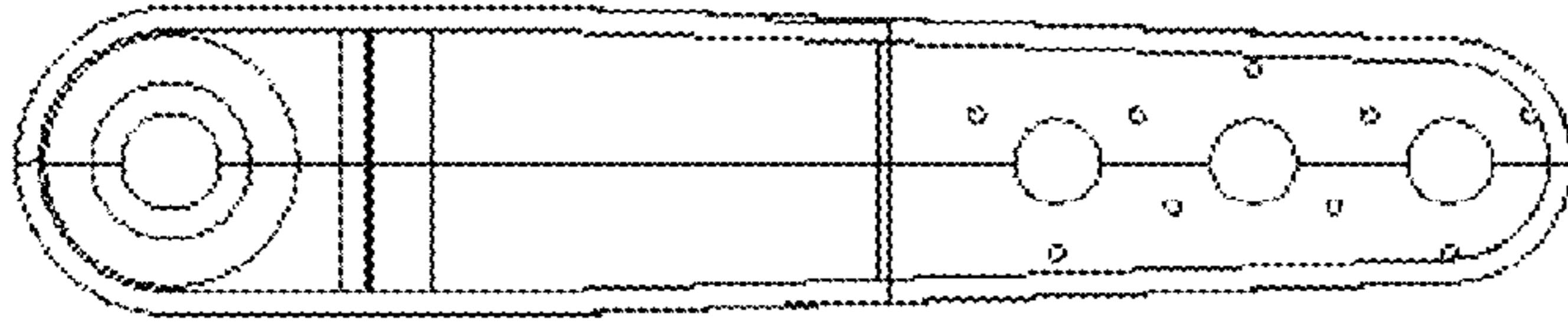


Fig. 15

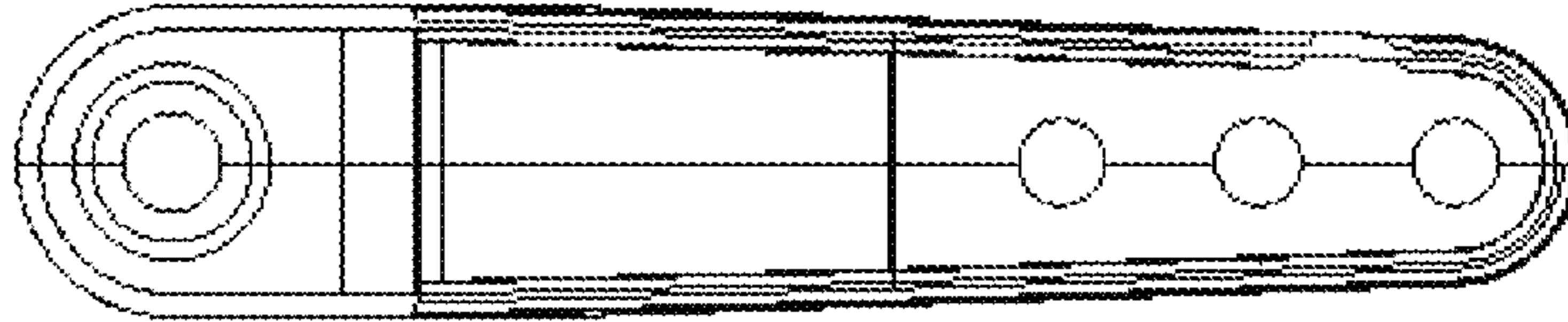


Fig. 16

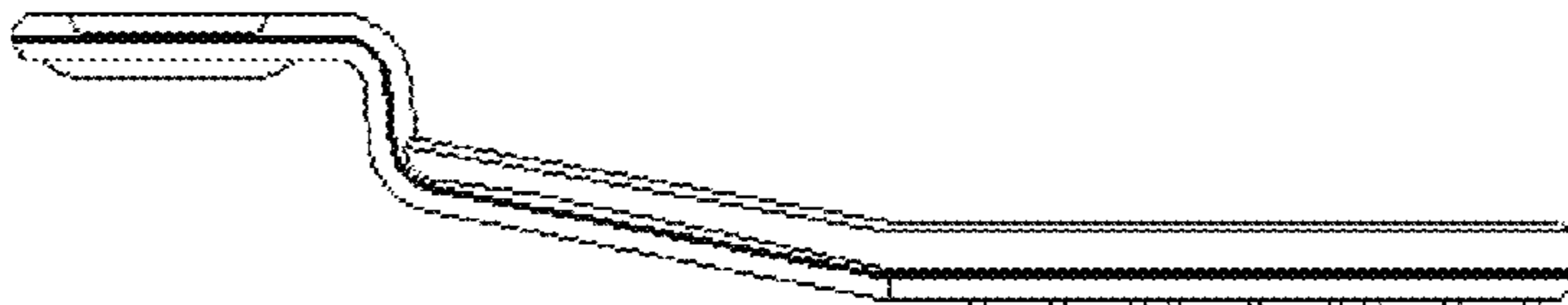


Fig. 17

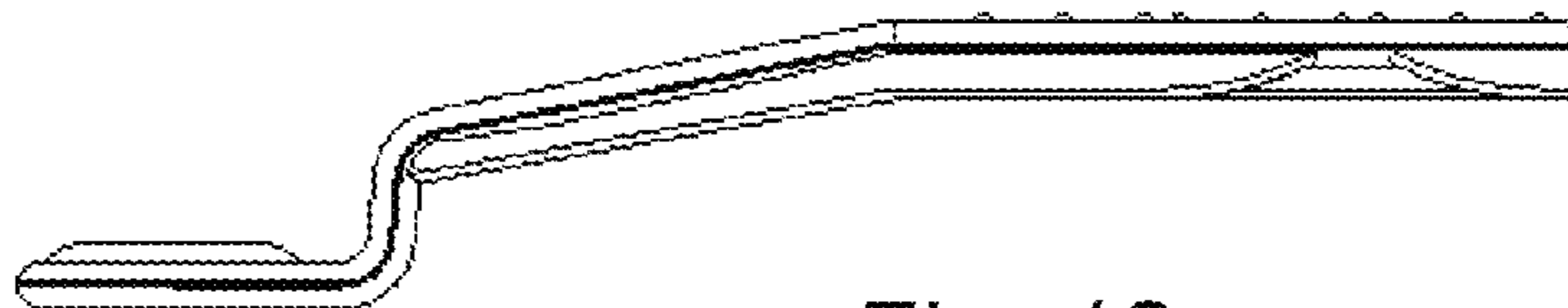


Fig. 18