



US00D699804S

(12) **United States Design Patent**  
**Zwart**

(10) **Patent No.:** **US D699,804 S**

(45) **Date of Patent:** **\*\* \*Feb. 18, 2014**

(54) **GOLF DIVOT REPAIR TOOL**

(71) Applicant: **Michel Zwart**, Hong Kong (CN)

(72) Inventor: **Michel Zwart**, Hong Kong (CN)

(\*) Notice: This patent is subject to a terminal disclaimer.

(\*\*) Term: **14 Years**

(21) Appl. No.: **29/433,873**

(22) Filed: **Oct. 5, 2012**

(51) **LOC (10) Cl.** ..... **21-02**

(52) **U.S. Cl.**  
USPC ..... **D21/793**

(58) **Field of Classification Search**  
USPC ..... D21/789, 793; 473/286, 408; 30/161,  
30/155; 7/118; D8/105-106  
See application file for complete search history.

(56) **References Cited**

**U.S. PATENT DOCUMENTS**

5,405,133	A *	4/1995	Upton	.....	473/408
6,162,137	A *	12/2000	Jones et al.	.....	473/408
D471,944	S *	3/2003	Freitas et al.	.....	D21/793
6,800,042	B2 *	10/2004	Braithwaite	.....	473/408
D500,828	S *	1/2005	Pace	.....	D21/793

6,837,807	B1 *	1/2005	Kerr	.....	473/408
D570,946	S *	6/2008	Oas	.....	D21/793
D651,272	S *	12/2011	Corcoran et al.	.....	D21/793
D669,148	S *	10/2012	Dalton	.....	D21/793
D669,952	S *	10/2012	Zwart	.....	D21/793
D684,645	S *	6/2013	Gerard	.....	D21/793

\* cited by examiner

*Primary Examiner* — Mitchell Siegel

(74) *Attorney, Agent, or Firm* — Daniel Law Offices, P.A.;  
Jason T. Daniel, Esq.

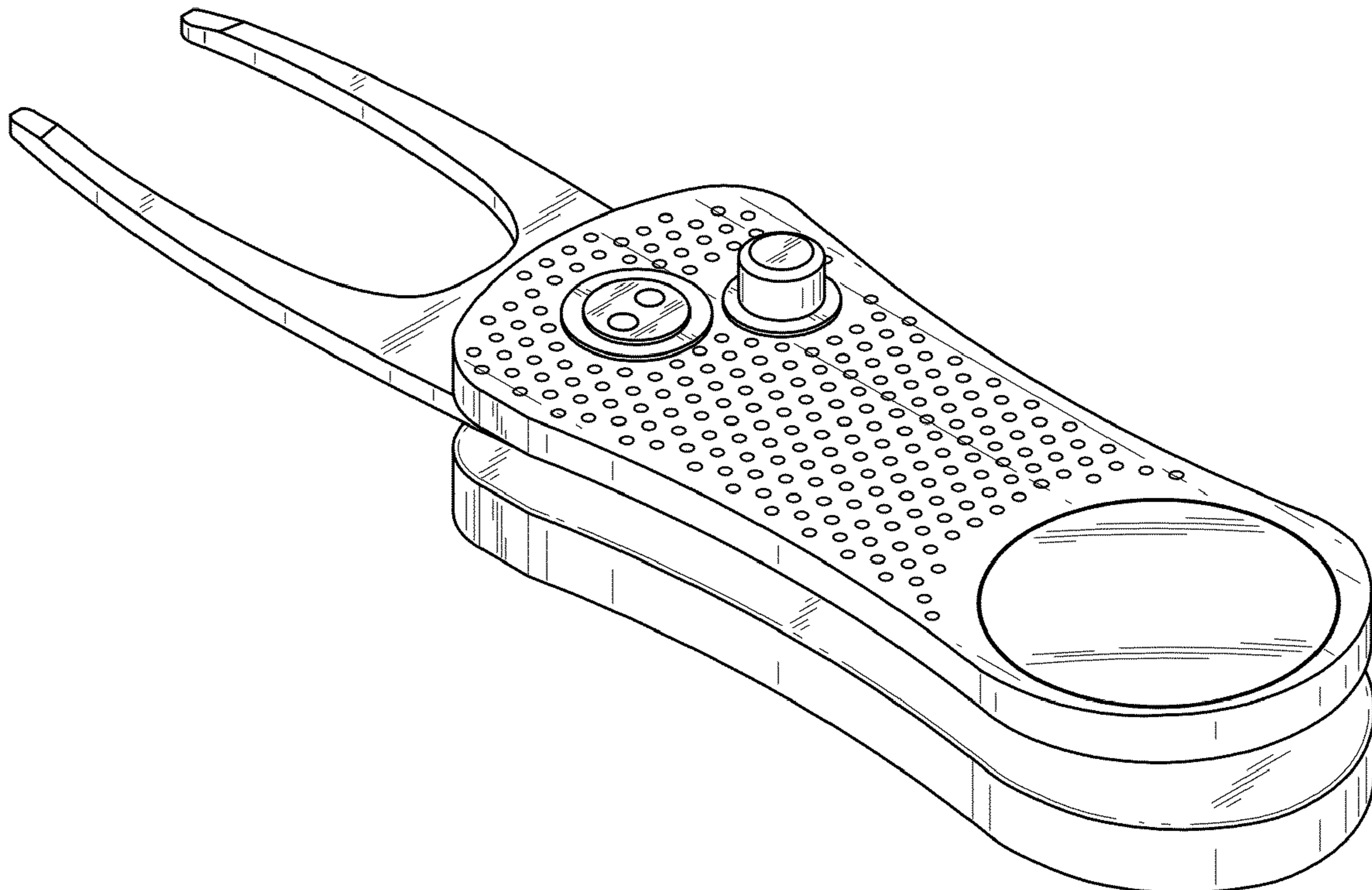
(57) **CLAIM**

The ornamental design for a golf divot repair tool, as shown.

**DESCRIPTION**

FIG. 1 is a front perspective view thereof in a closed position, FIG. 2 is a back perspective view thereof in a closed position, FIG. 3 is a front side elevational view thereof, FIG. 4 is a back side elevational view thereof, FIG. 5 is a left side elevational view thereof, FIG. 6 is a right side elevational view thereof, FIG. 7 is a top side elevational view thereof, FIG. 8 is a bottom side elevational view thereof; and, FIG. 9 is a perspective view thereof in an open position.

**1 Claim, 4 Drawing Sheets**



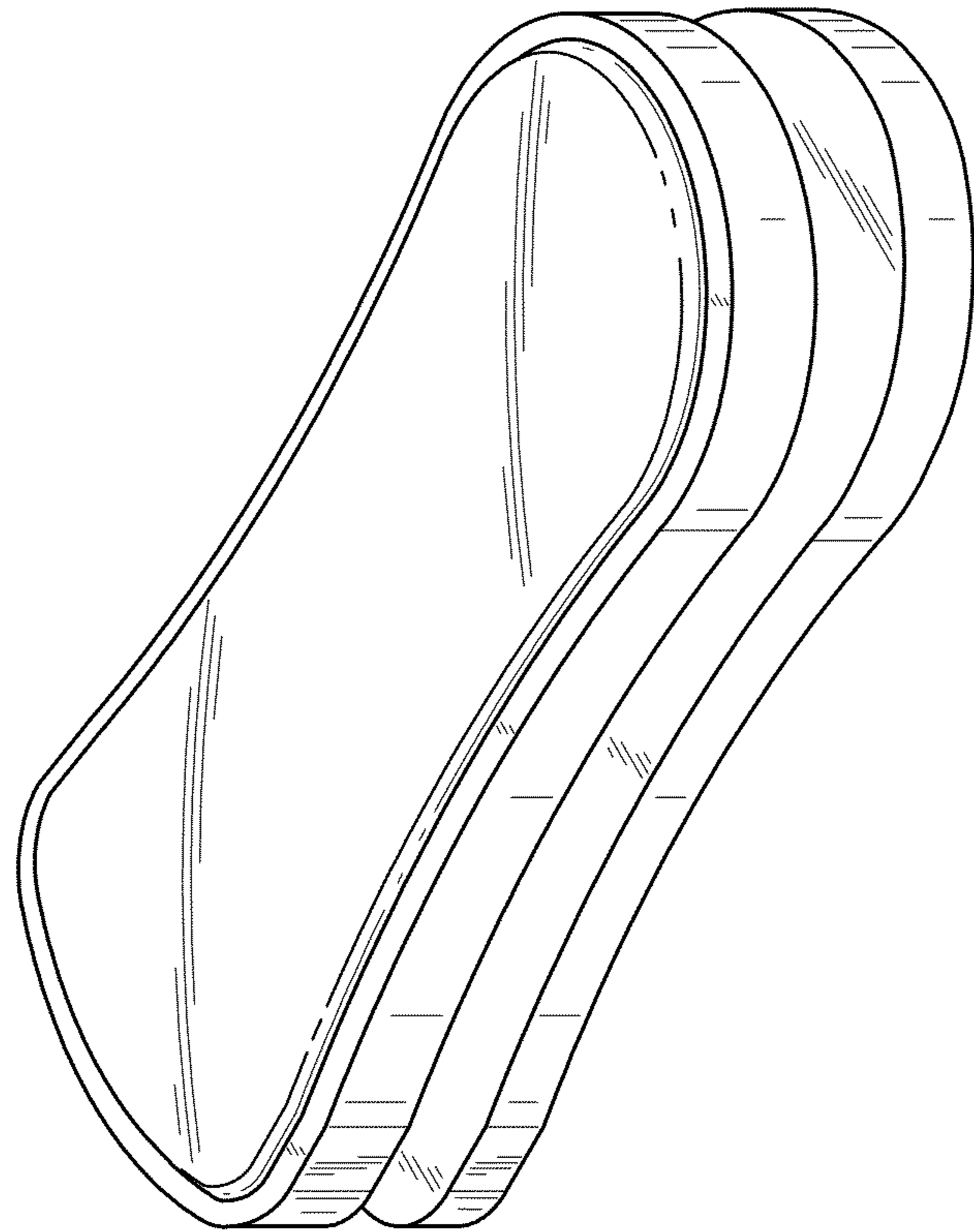


FIG. 2

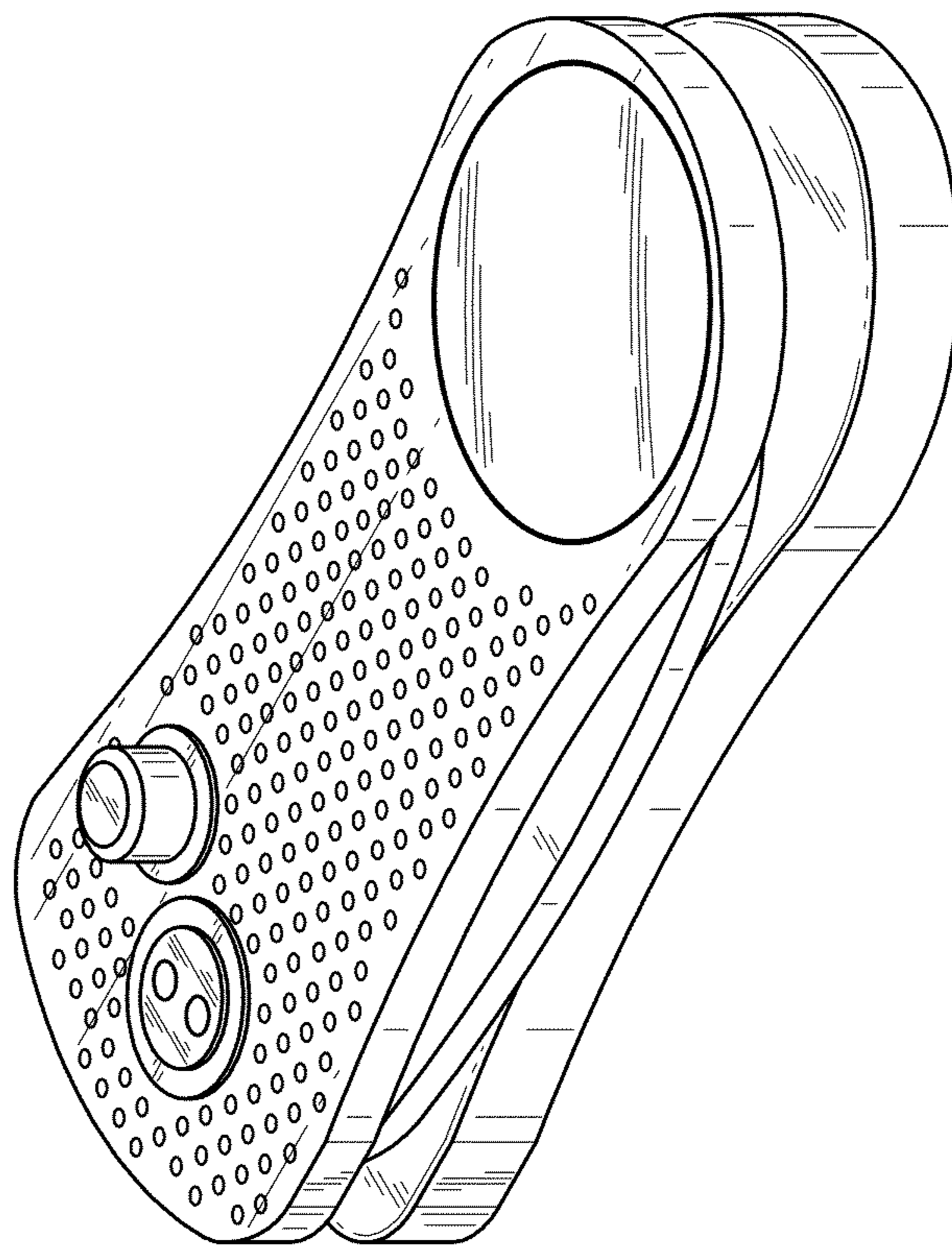


FIG. 1

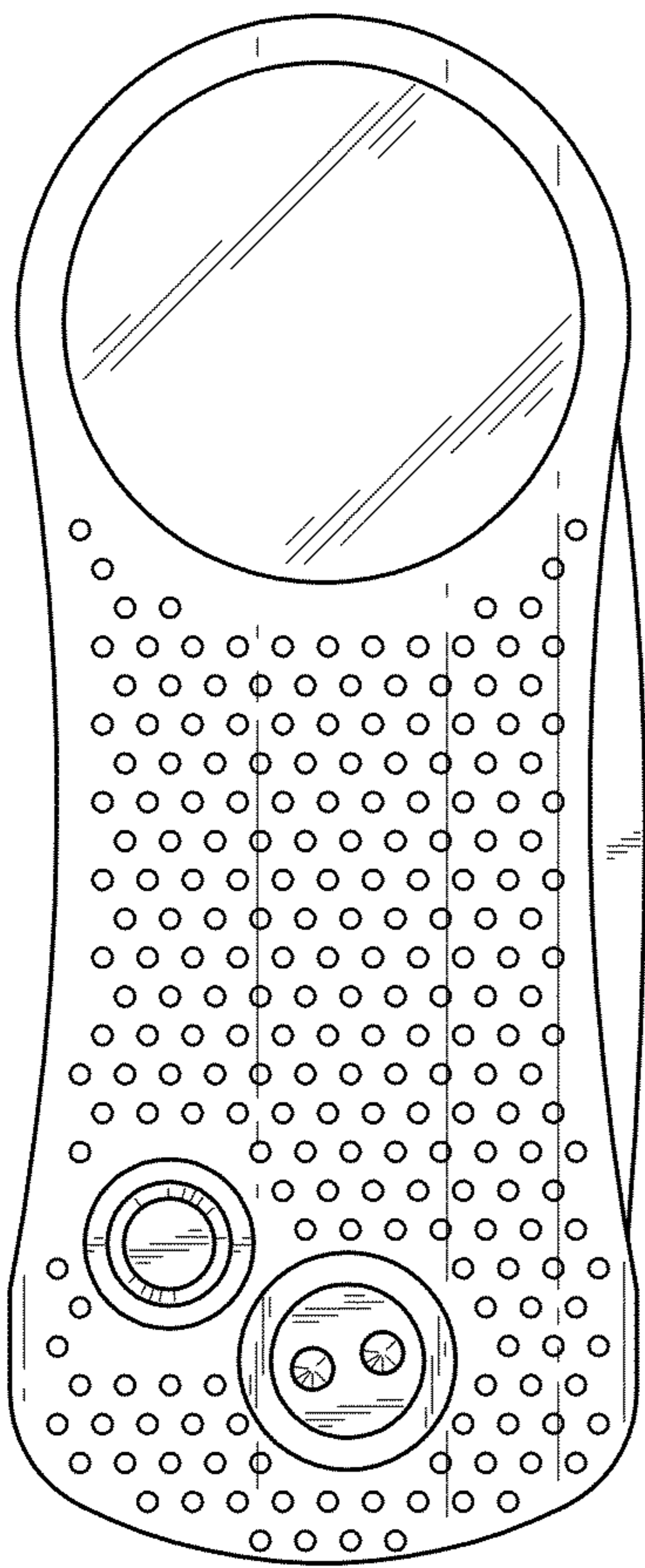


FIG. 3

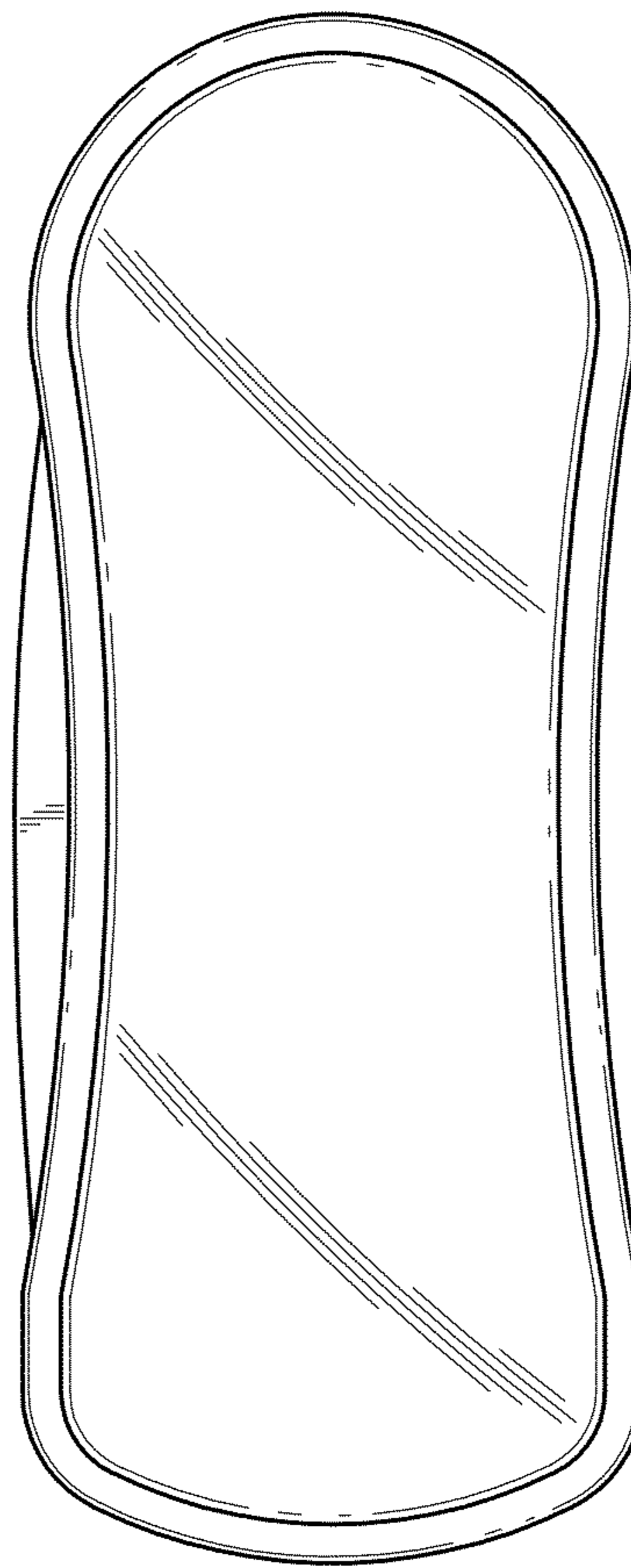


FIG. 4



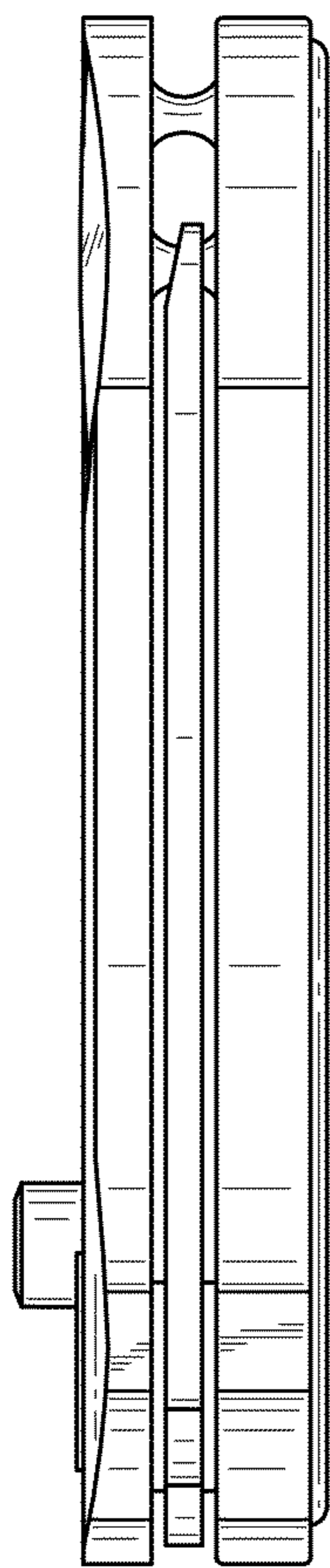


FIG. 5

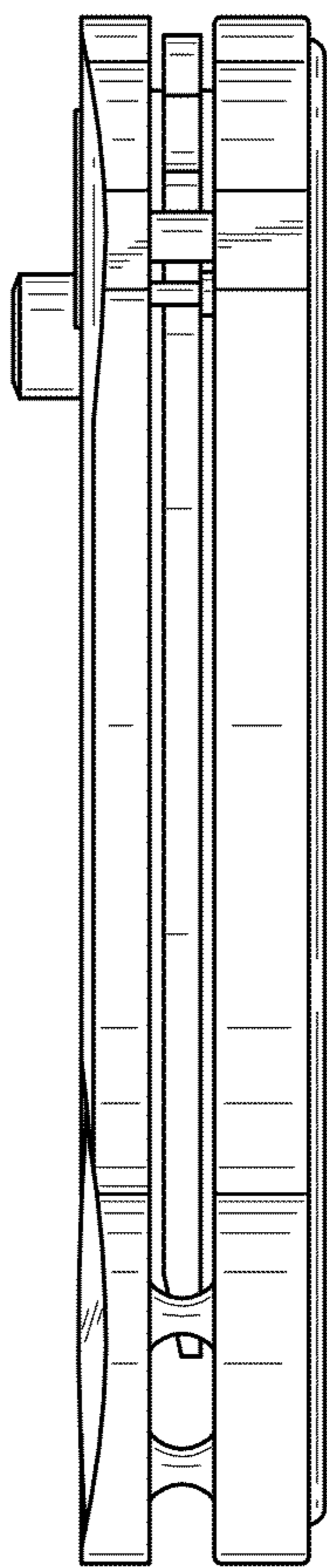


FIG. 6

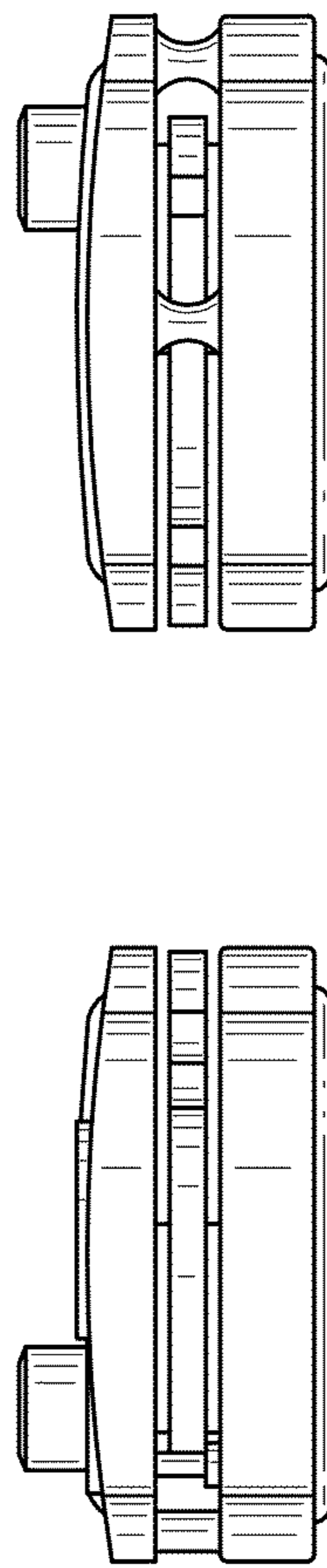


FIG. 7

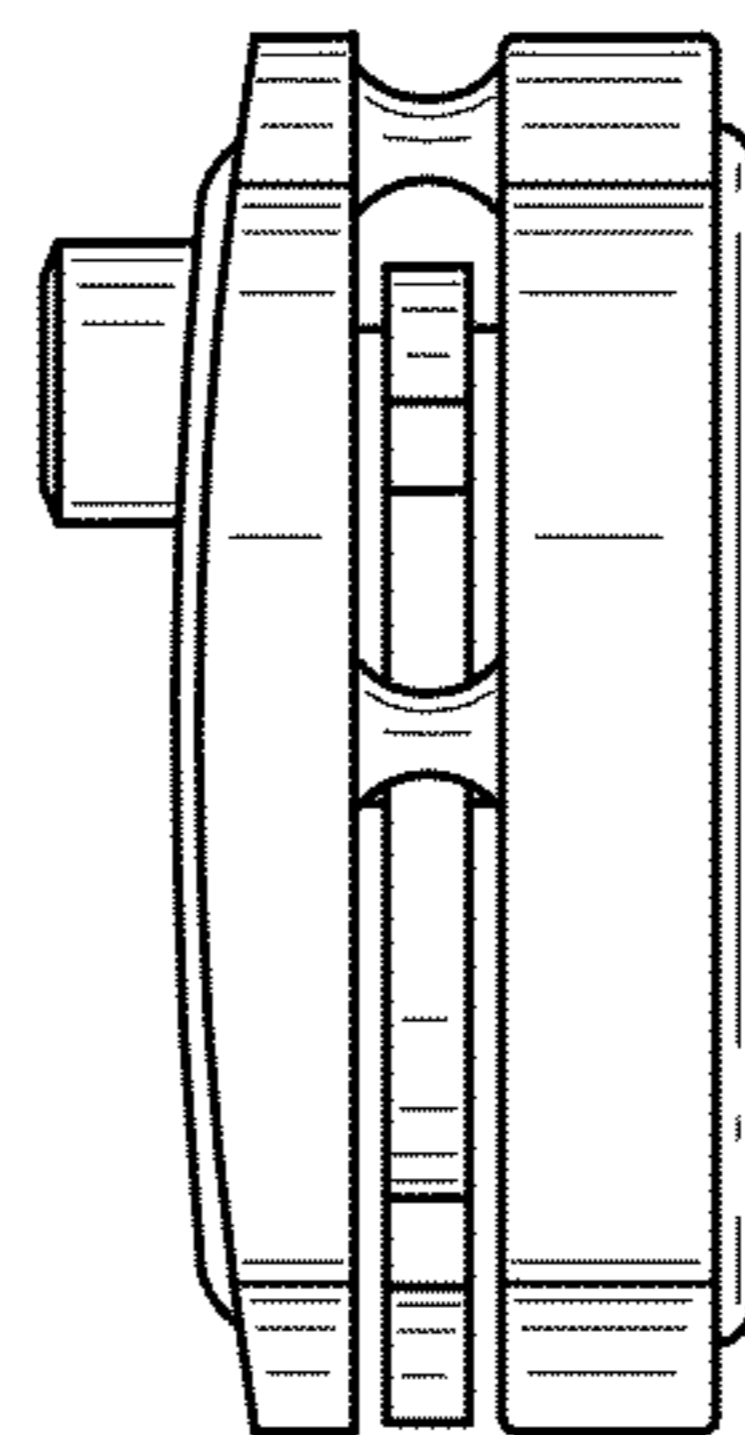


FIG. 8

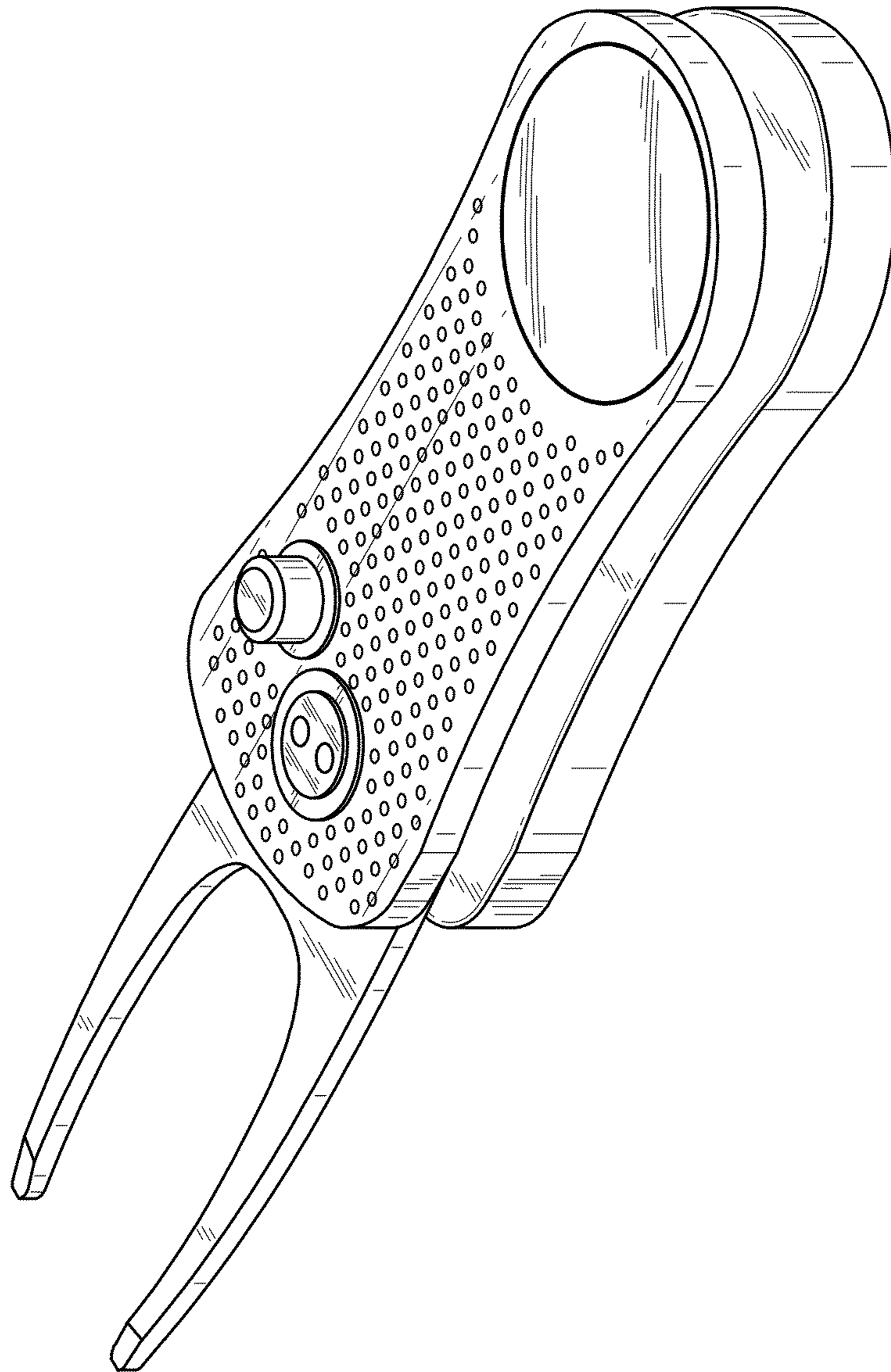


FIG. 9