



US00D699803S

(12) **United States Design Patent**  
**Yamabe**

(10) **Patent No.:** **US D699,803 S**

(45) **Date of Patent:** **\*\* Feb. 18, 2014**

(54) **SKATEBOARD**

(71) Applicant: **J.D. Japan Co., Ltd.**, Osaka (JP)

(72) Inventor: **Hideyasu Yamabe**, Osaka (JP)

(73) Assignee: **J.D. Japan Co., Ltd.**, Osaka (JP)

(\*\*) Term: **14 Years**

(21) Appl. No.: **29/444,797**

(22) Filed: **Feb. 4, 2013**

(51) **LOC (10) Cl.** ..... **21-02**

(52) **U.S. Cl.**  
USPC ..... **D21/765**

(58) **Field of Classification Search**  
USPC ..... D21/423, 765, 771, 779; 280/11.27,  
280/11.28, 11.19, 87.042, 87.041, 87.05,  
280/842; 267/292

See application file for complete search history.

(56) **References Cited**

**U.S. PATENT DOCUMENTS**

D456,047 S *	4/2002	Mandic	.....	D21/765
D513,425 S *	1/2006	Kohl	.....	D21/765
7,195,259 B2 *	3/2007	Gang	.....	280/87.042
D572,332 S *	7/2008	Sramek et al.	.....	D21/765
8,454,038 B2 *	6/2013	O'Rourke	.....	280/87.042

\* cited by examiner

*Primary Examiner* — Cynthia M Chin

(74) *Attorney, Agent, or Firm* — Fildes & Outland, P.C.

(57) **CLAIM**

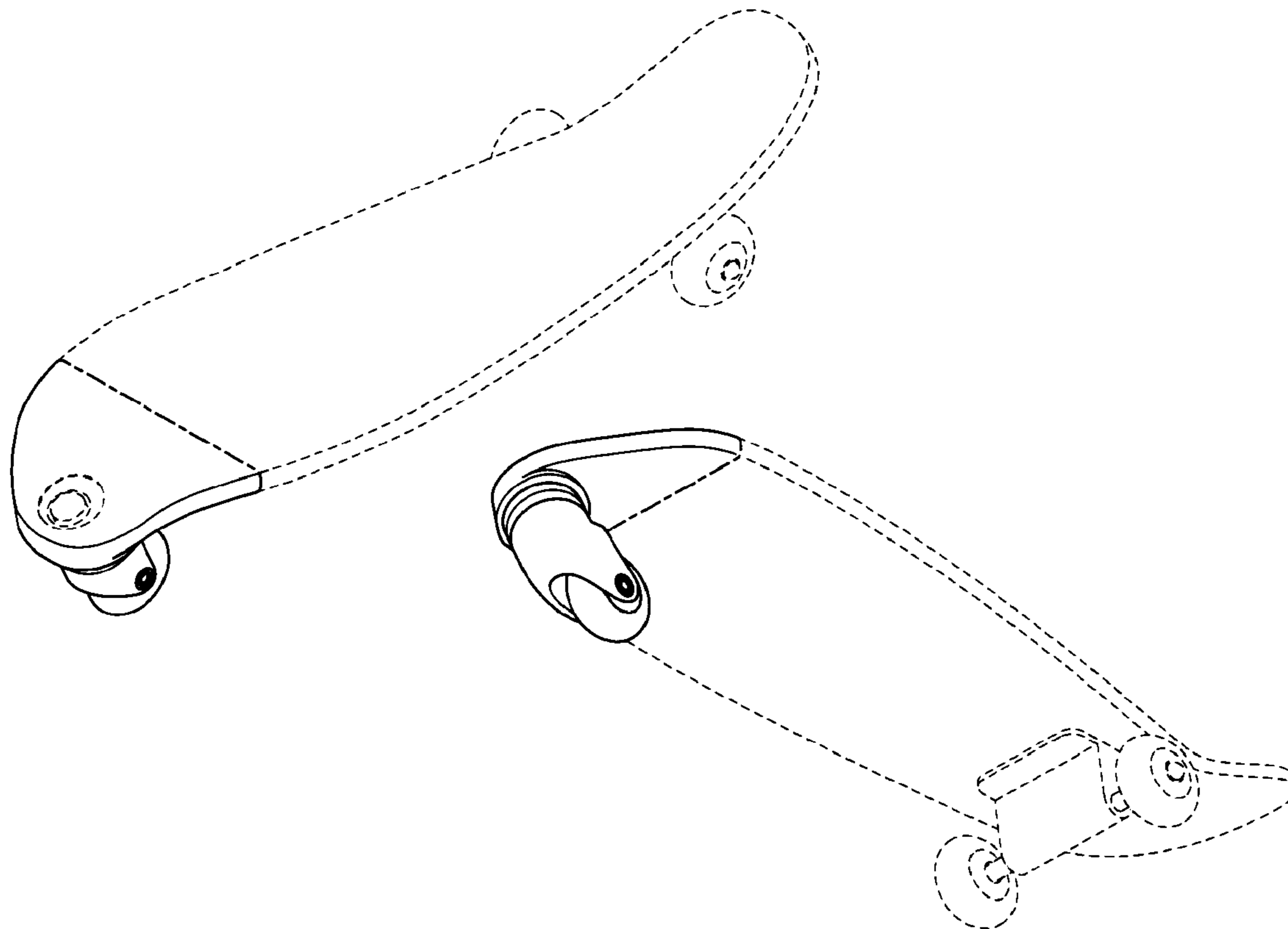
The ornamental design for a skateboard, as shown and described.

**DESCRIPTION**

FIG. 1 is a top perspective view of a skateboard of my new design;  
 FIG. 2 is a bottom perspective view of the skateboard;  
 FIG. 3 is a right side view of the skateboard, the left side being a mirror image;  
 FIG. 4 is a front view of the skateboard;  
 FIG. 5 is a rear view of the skateboard;  
 FIG. 6 is a top view of the skateboard;  
 FIG. 7 is a bottom view of the skateboard;  
 FIG. 8 is a cross-sectional view of the skateboard taken along line 8-8 in FIG. 3; and,  
 FIG. 9 is an enlarged, partial right, rear side view of the skateboard taken at area 8-8 in FIG. 3, the left side being a mirror image.

The dash-dot broken lines represent the bounds of the claim and all other broken lines represent unclaimed portions of the design. None of the broken lines form a part of the claimed design.

**1 Claim, 4 Drawing Sheets**



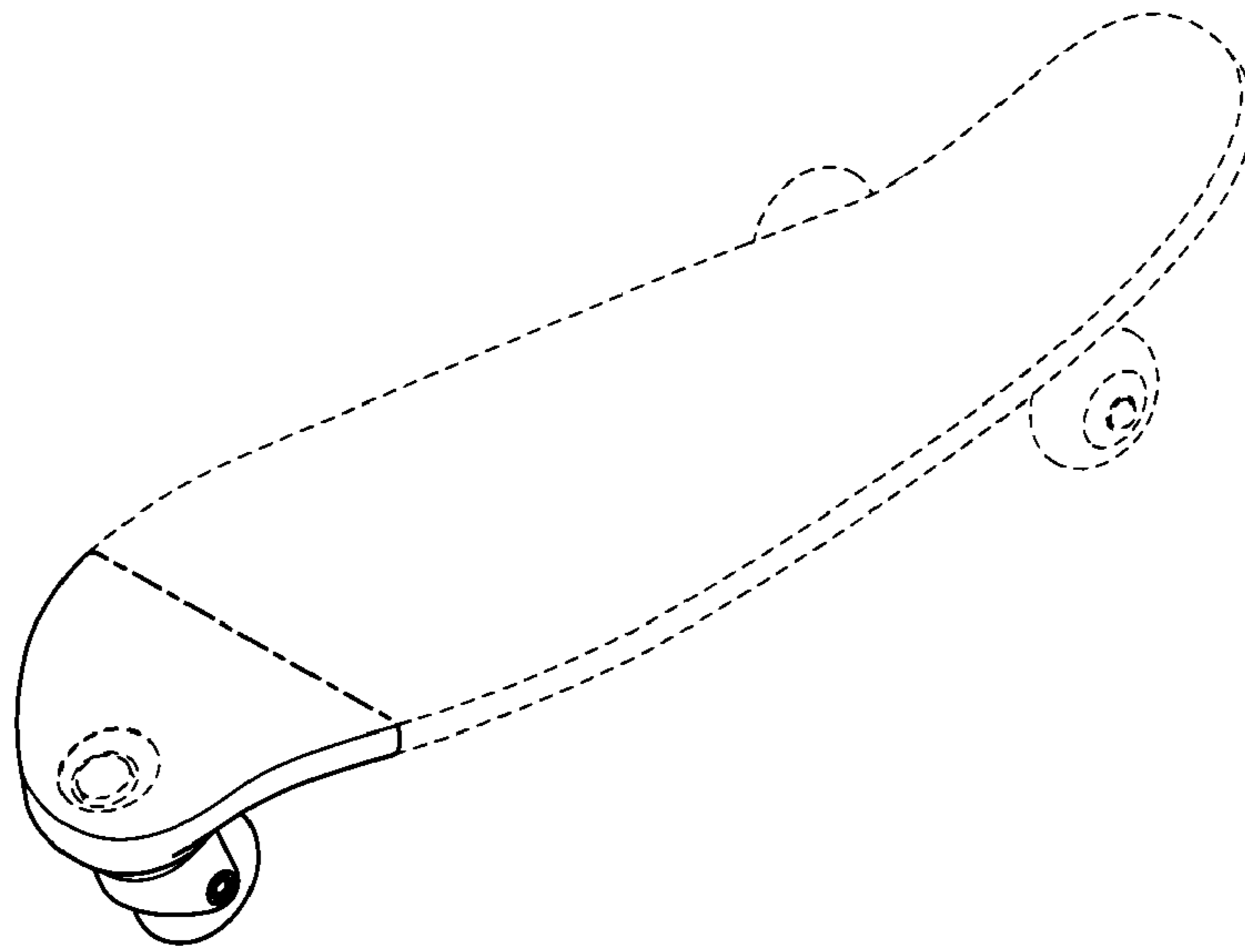


FIG. 1

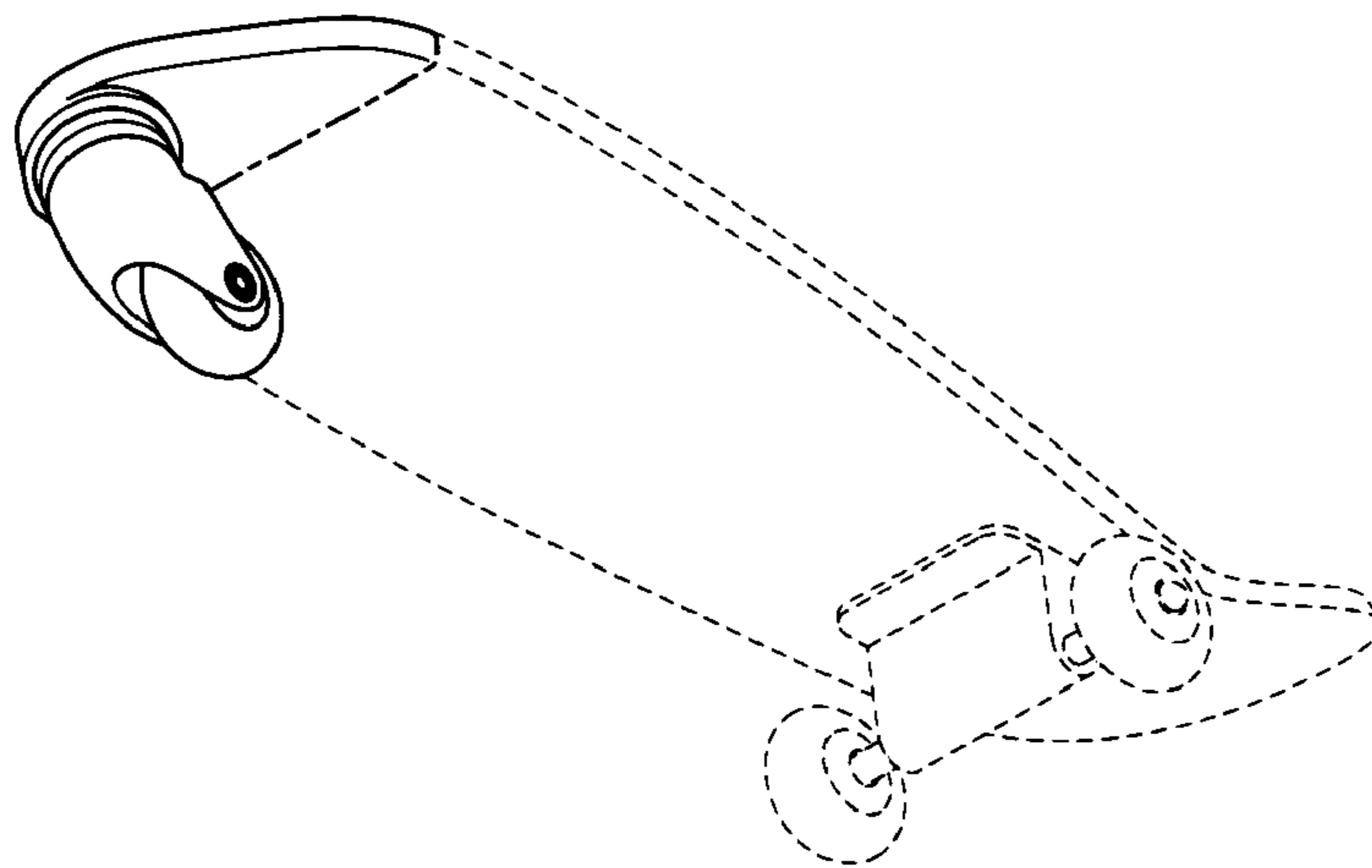


FIG. 2

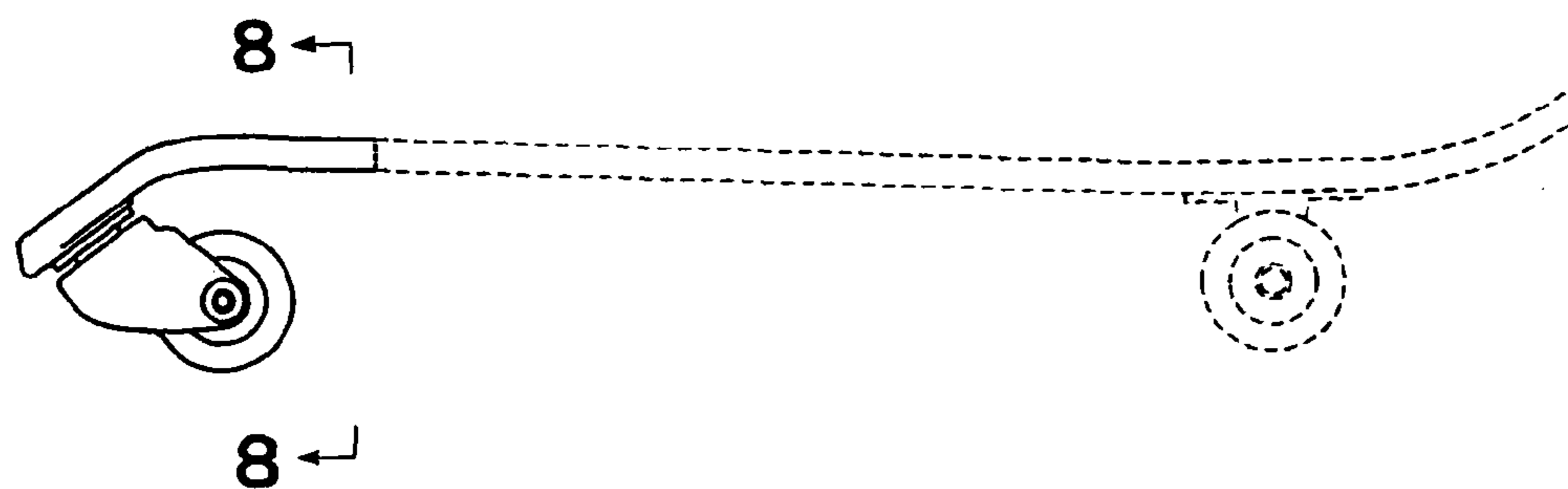


FIG. 3

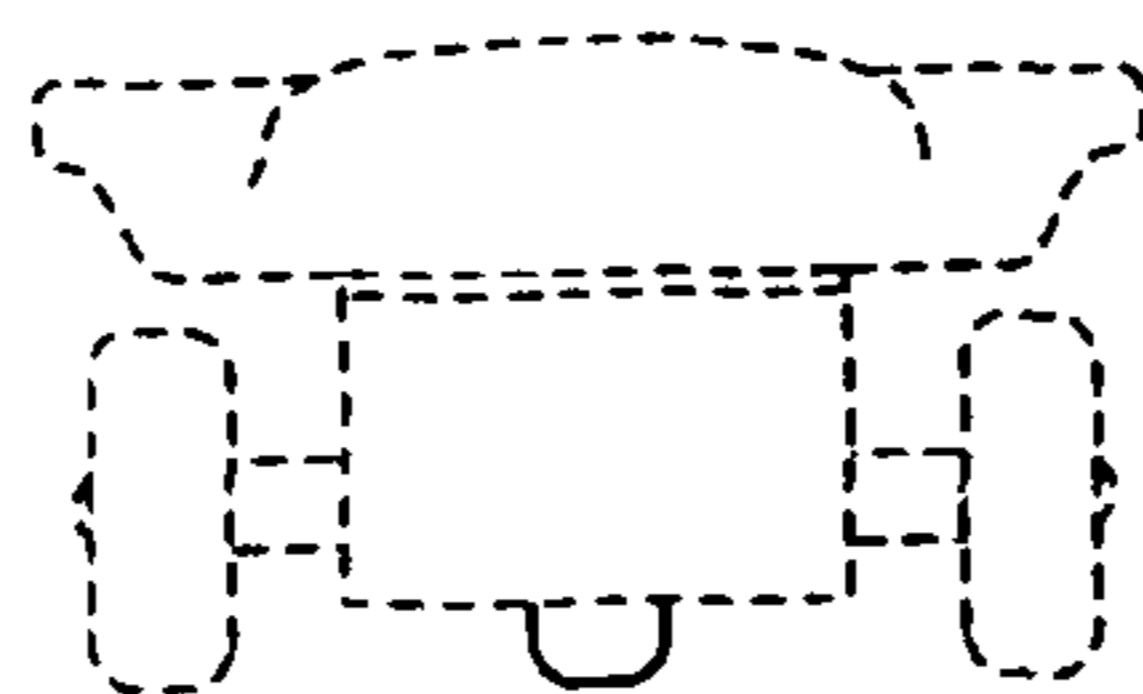


FIG. 4

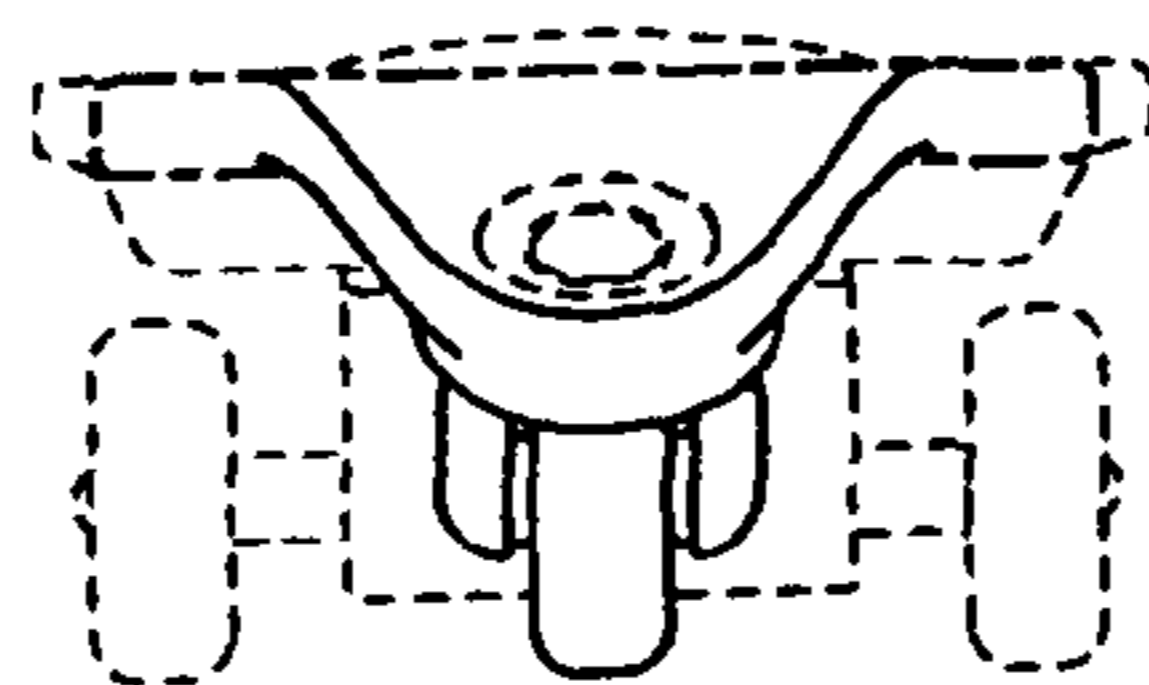


FIG. 5

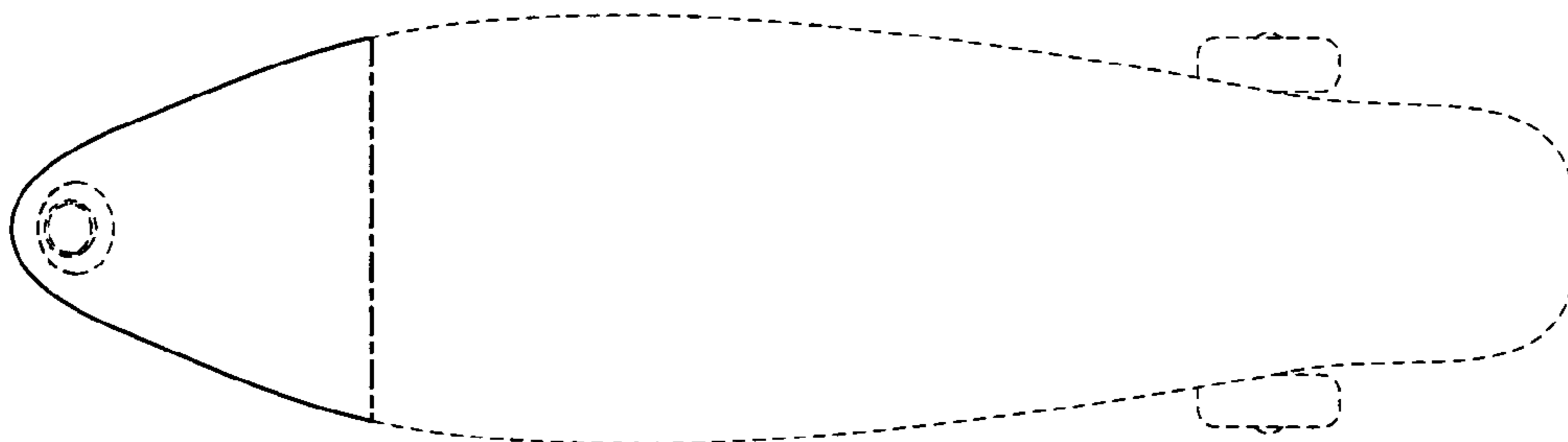


FIG. 6

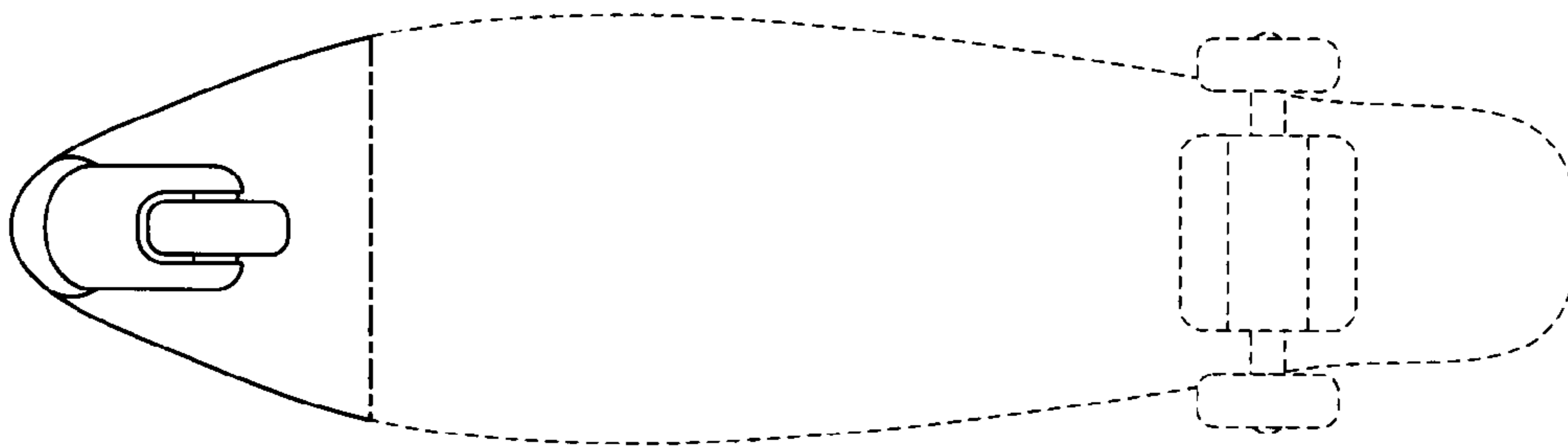


FIG. 7

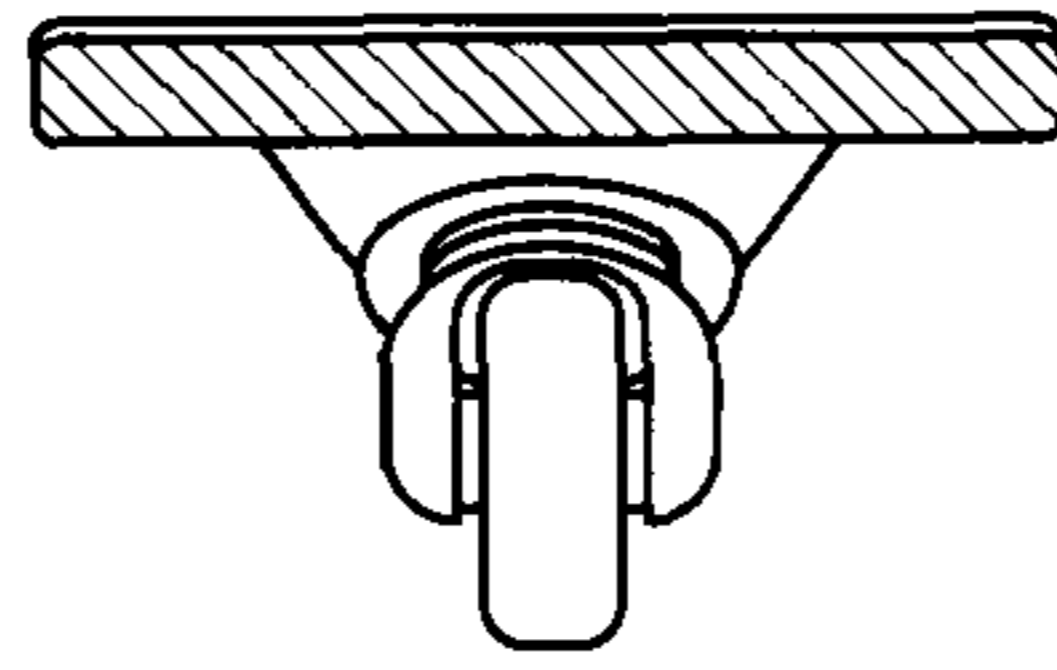


FIG. 8

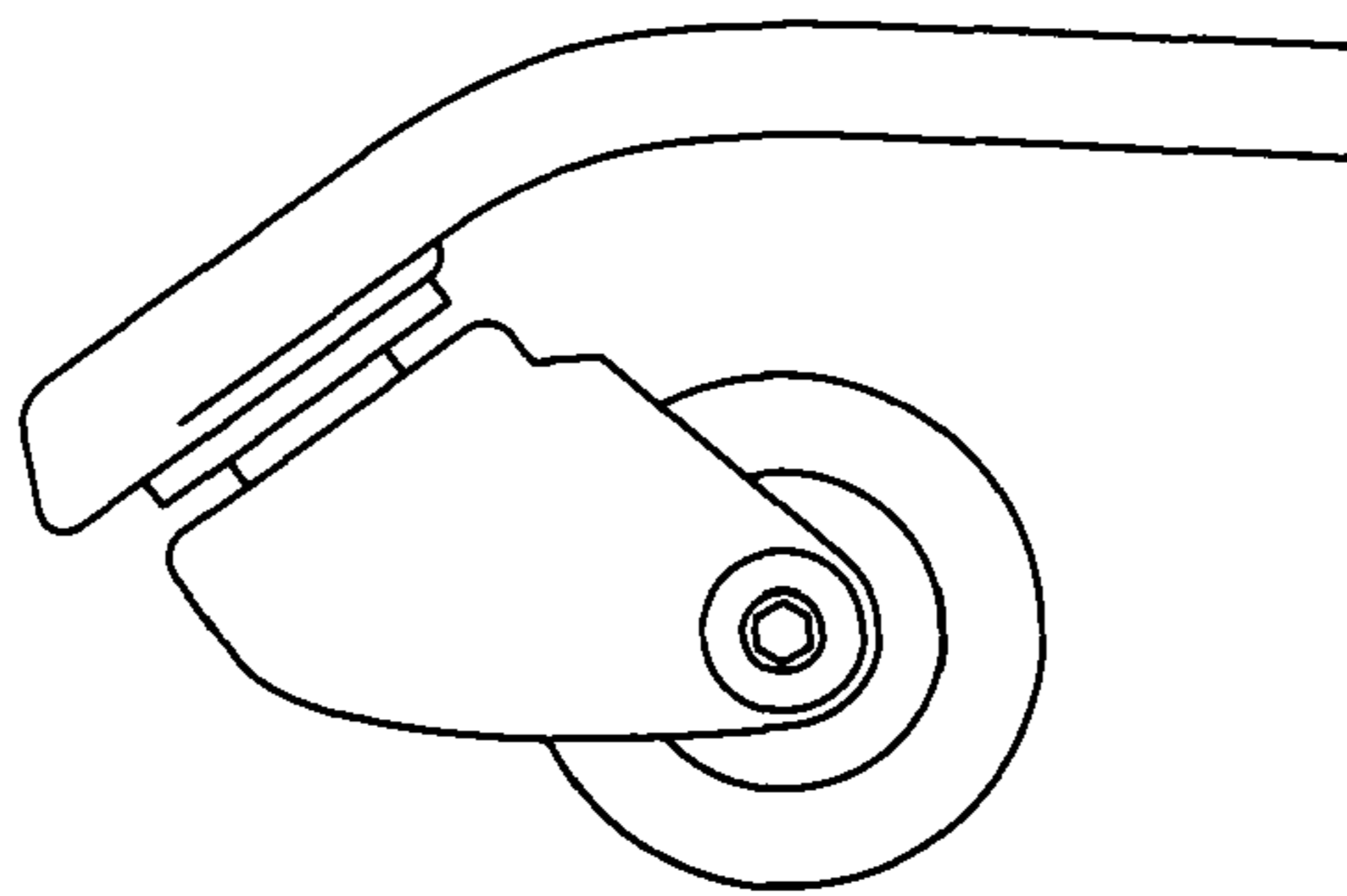


FIG. 9